

# **Ice-O-Matic**<sup>®</sup>

Ice. Pure and Simple<sup>™</sup>

## **SERVICE PARTS MANUAL ICE SERIES CUBERS MODEL-ICE1506R, R2,R3,R4,R5,R6,R7,R8 MODEL-ICE1506HT, T1, T2 (Top Air Discharge)**



14-1013 Date

09/17/2021

## **ICE1506 Service Parts**

---

This parts list contains the service parts available for the ICE1506 icemakers.

ICE1506R  
ICE1506R2  
ICE1506R3                      From Serial Number 0801  
ICE1506R4                      From Serial Number 12021280011418  
ICE1506R5                      From Serial Number 15021280012575  
ICE1506R6

ICE1506R7 & R8

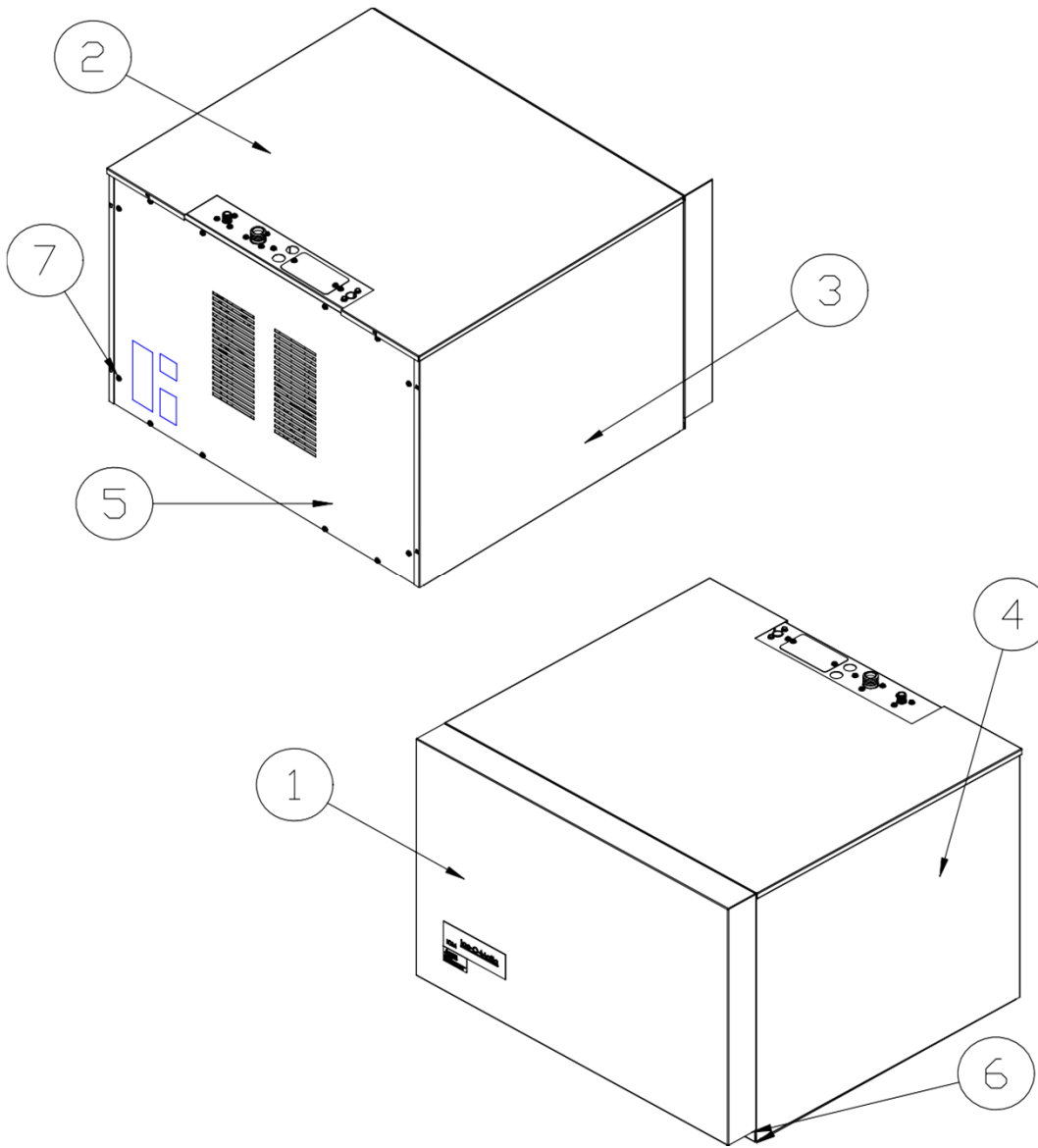
### **ICE1506HT**

Check the model number on the data plate and refer to the correct listing for the specific component.

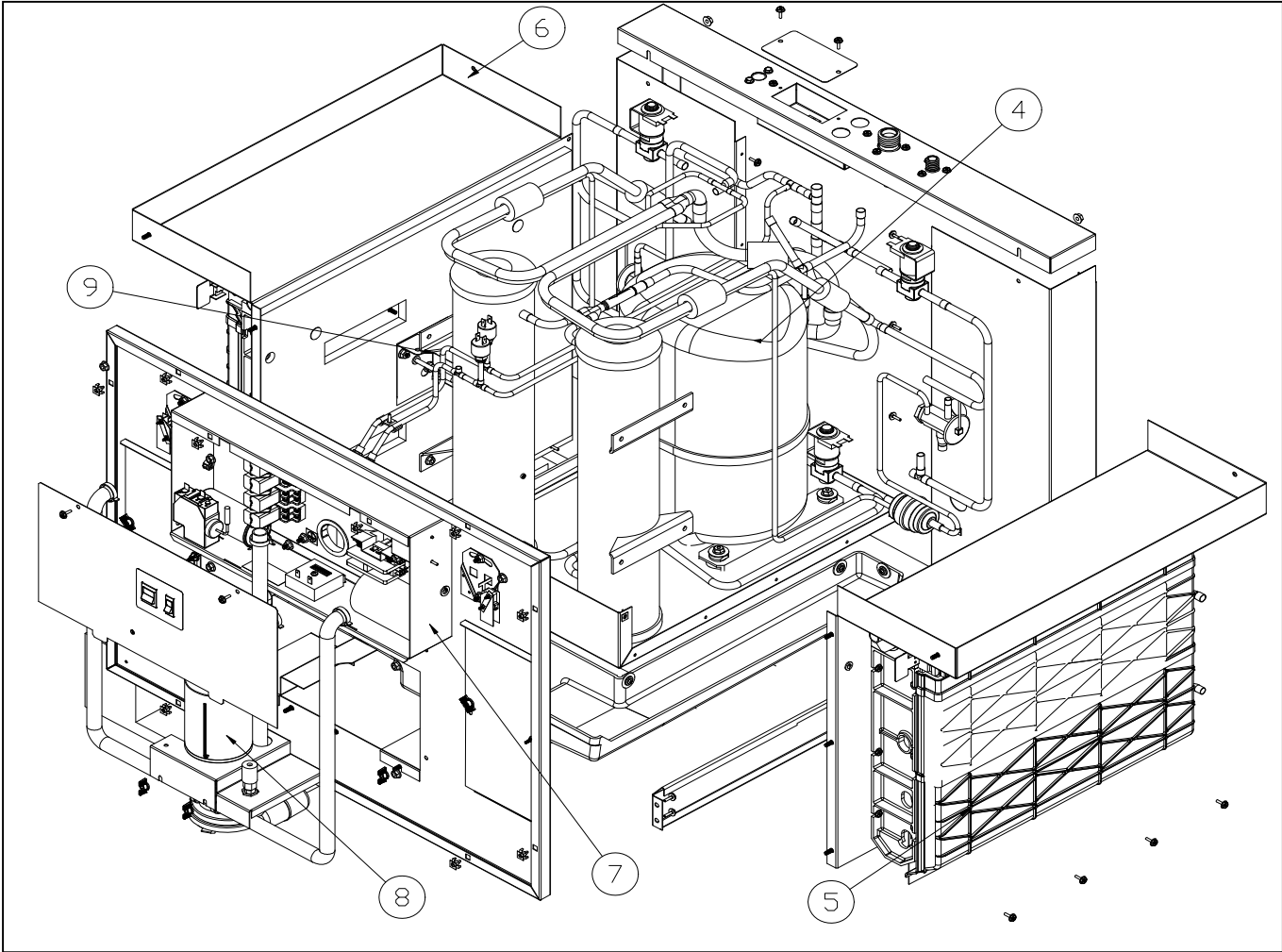
**Check carefully that the correct part is identified and ordered.**

<b>Table of Contents</b>	<b>Page 1</b>
<b>Cabinet Exterior Panels</b>	<b>Page 2</b>
<b>Cabinet Breakdown</b>	<b>Page 3</b>
<b>Refrigeration System</b>	<b>Page 4</b>
<b>Evaporator and Components (Right Side)</b>	<b>Page 5</b>
<b>Evaporator and Components (Left Side)</b>	<b>Page 6</b>
<b>Control Box and Bin Switch Assembly</b>	<b>Page 7</b>
<b>Water Pump/Float Assembly</b>	<b>Page 8</b>
<b>Harvest Probe Assembly</b>	<b>Page 9</b>
<b>Remote Condenser VRC2661</b>	<b>Page 10</b>
<b>Remote Condenser LRC2661</b>	<b>Page 12</b>
<b>Top Air Discharge Component</b>	<b>Page 13</b>
<b>Compressor Information</b>	<b>Page 14</b>

**Ice-O-Matic**  
**11100 East 45th Ave.**  
**Denver Co. 80239**  
**800-423-3367**



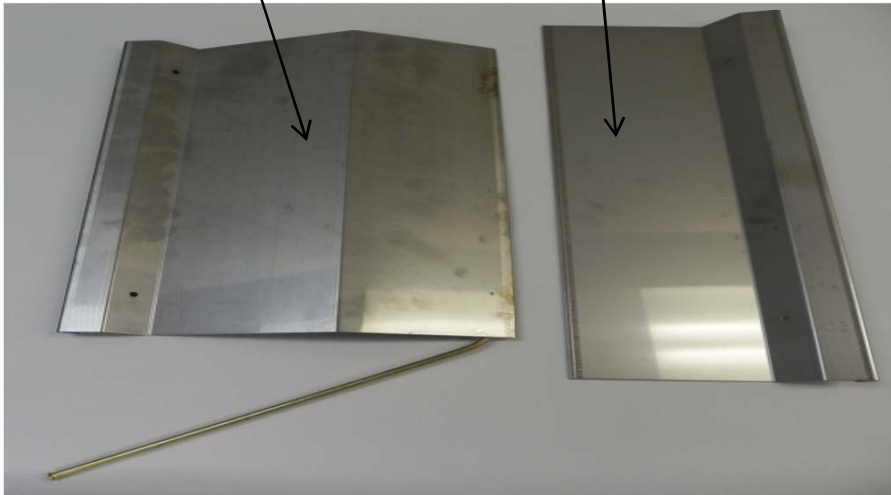
Item No.	Note: Rev= Model Revision	Part Number	Item No.	ICE1506 HT	Part Number
	Description			Description	
1	Front Panel	2031493-01S	1	Front Panel	2031530-01S
	Front Panel <b>Rev5,6,7,8</b>	2031527-01S			
	Front Panel Rev3 SN0801 & Rev4 SN1202	2031510-01S			
2	Top Cover	3021872-01	2	Top Cover	3021988-01
	Top Cover Rev3 SN0801 & Rev4 SN1202, 5,6,7	3021931-01			
3	L.H Side Panel	2101363-02S	3	L.H Side Panel	2031531-01S
4	R.H Side Panel	2101363-01S	4	R.H Side Panel	2031531-02S
5	Back Panel	3021871-01	5	Back Panel- <b>UPPER</b>	3021992-01
	Back Panel Rev3 SN0801 & Rev4 SN1202	3021920-01		Back Panel- <b>LOWER</b>	3021989-01
	Back Panel <b>Rev5,6,7,8</b>	3022023-01			
6	Front Panel Screw	9031098-03P			
7	Side and Rear Panel Screw	9031046-01P			
	Plastic Nut, For Panel Screws, Not Shown	9031141-01P			



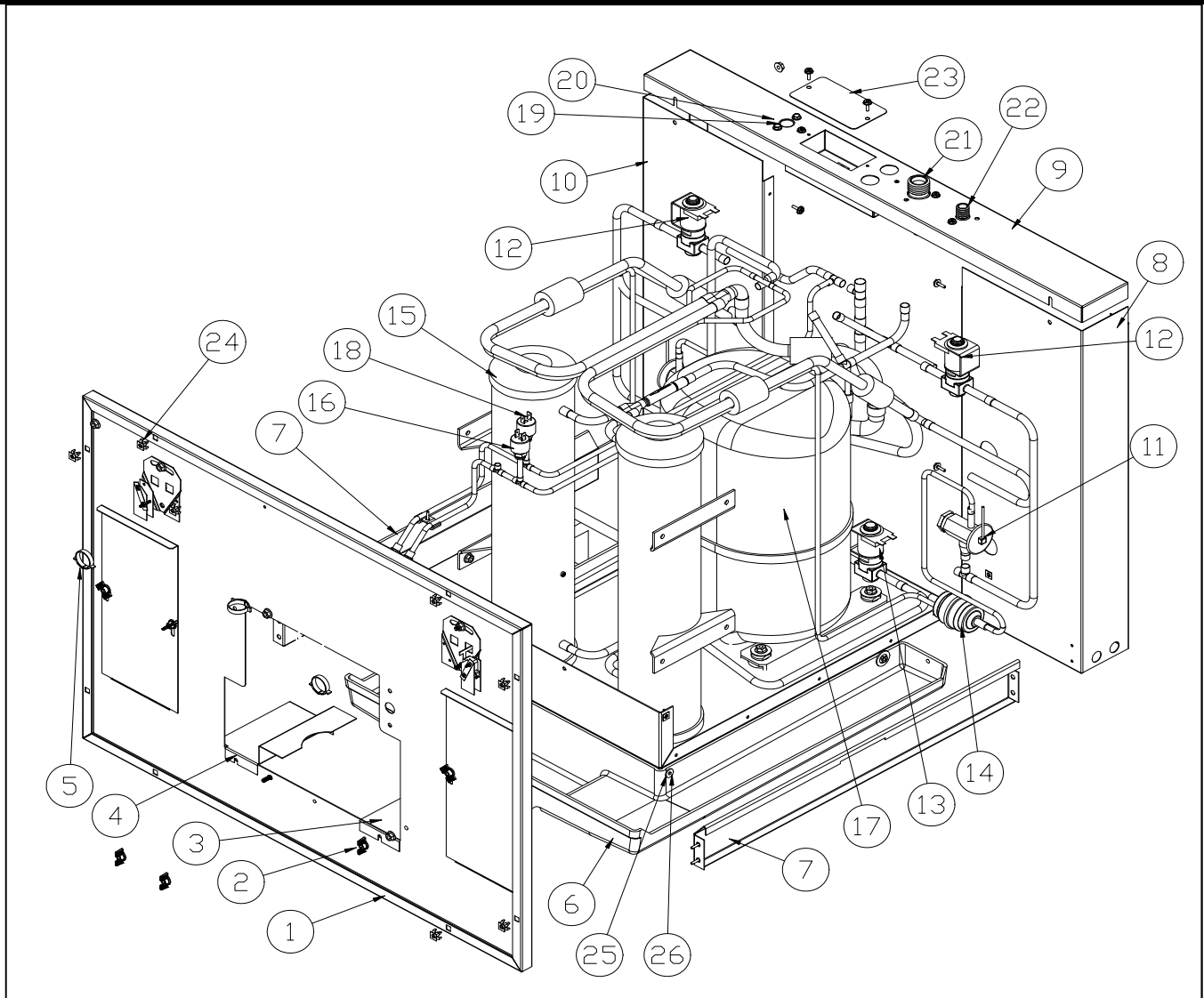
Item No.	Page Number	Description
4	Page No. 4	Cabinet Base
5	Page No. 5	Evaporator Assembly
6	Page No. 6	Evaporator Assembly
7	Page No. 7	Control Box and Bin Switch Assembly
8	Page No. 8	Pump Assembly
9	Page No. 9	Harvest Assist
13	Page No.13	Top Air Discharge Components

Ice Deflector Left Side 2021685-01

Ice Deflector Right Side 3013255-01



**Ice Deflector Kit**  
**1051160-01**  
**Includes:**  
 2021685-01  
 3013255-01

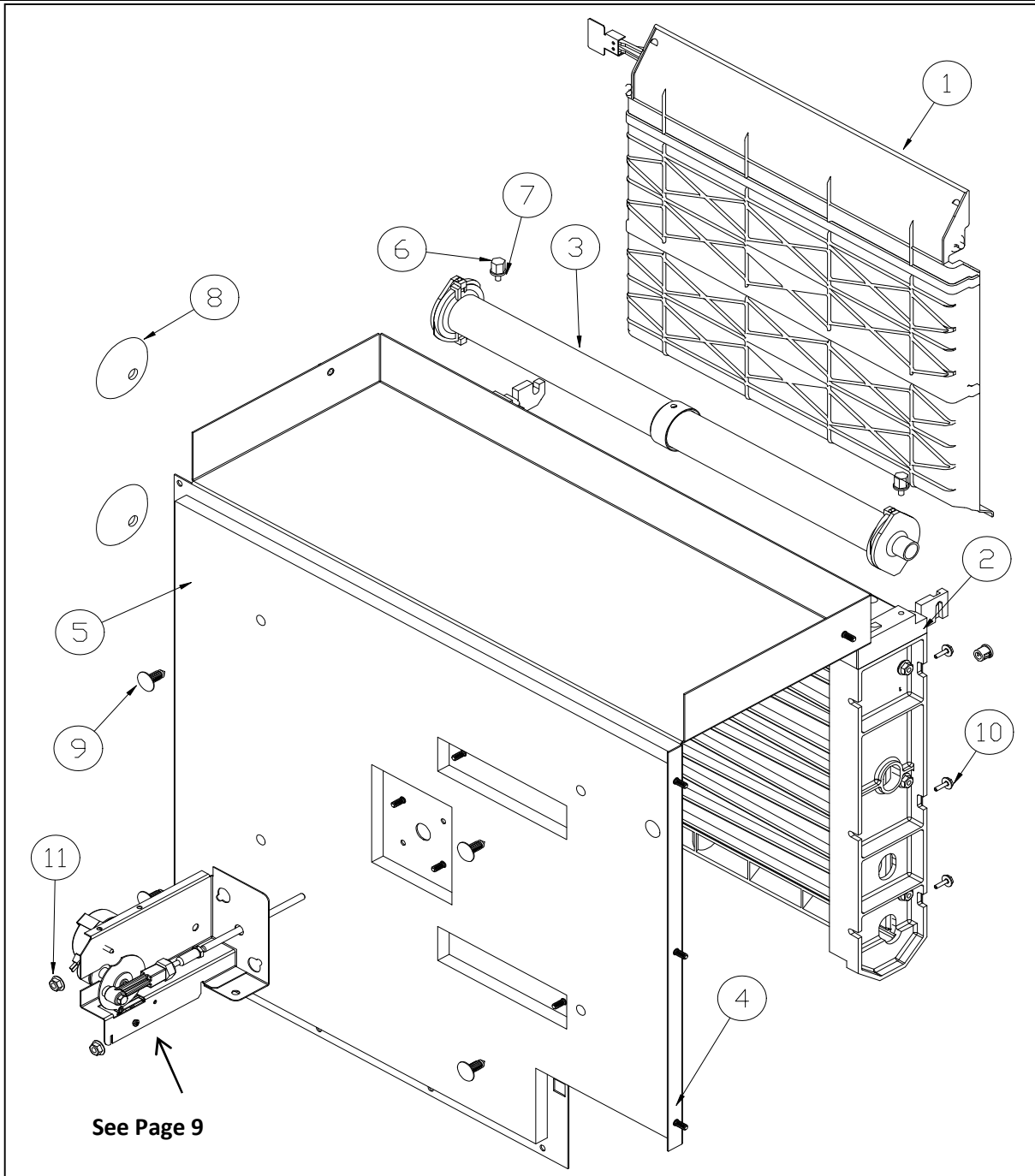


Item No.	Description	Part Number
1	Front Frame Panel	2021616-01
1	Front Frame Panel <b>Rev5</b>	2021719-01
2	Plastic Wing Nut	9031161-01
3	Water Pan Cover	3012910-01
4	Water Pan Cover	3012958-01
5	Hose Clamp	9021010-04
6	Water Pan	9051473-01
7	Ice Deflector	3012924-01
8	Rear Frame RH	3013143-01
9	Rear Brace	3013144-01
10	Rear Frame LH	3013143-01
11	Expansion Valve	9151134-02
11	Expansion Valve <b>Rev3,4,5,6,7,8</b>	<b>9151150-01</b>
11	Expansion Valve <b>ICE1506HT</b>	<b>9151150-01</b>
12	Hot Gas Valve	9151123-01
	Hot Gas Valve Coil	9151123-04
13	Liquid Line Solenoid	9151123-02
	Liq. Line Sol. Coil	9151123-04
14	Drier (Two Driers, Rev1 and Rev2)	9151163-01
14	Drier (Single Drier From Rev3)	9151163-02

Item No.	Description	Part Number
15	Receiver	9151138-01
16	Pump Down Control	9041092-02
17	Compressor Kit Rev 1 & 2	See Page 14
17	Compressor Kit <b>Rev3*</b>	See Page 14
17	Compressor Kit <b>Rev4</b>	See Page 14
17	Compressor Kit <b>Rev5&amp;6</b>	See Page 14
17	Compressor Kit Remote <b>Rev 7-8</b>	See Page 14
17	Compressor Kit <b>ICE1506 HT</b>	See page 14
18	High Pressure Control	9041111-01
19	Drop Adapter	9091074-01
20	Water Inlet Fitting	9091083-01
21	1/2" Coupling	9091001-12
22	3/8" Coupling	9091001-11
23	Junction Box Cover	3012103-01
24	Plastic Nut	9031141-01
25	Flat Washer	9031004-19
26	Screw	9031046-24
	Plastic Drain Fitting	9091140-01

**Note: Rev= Model Revision**

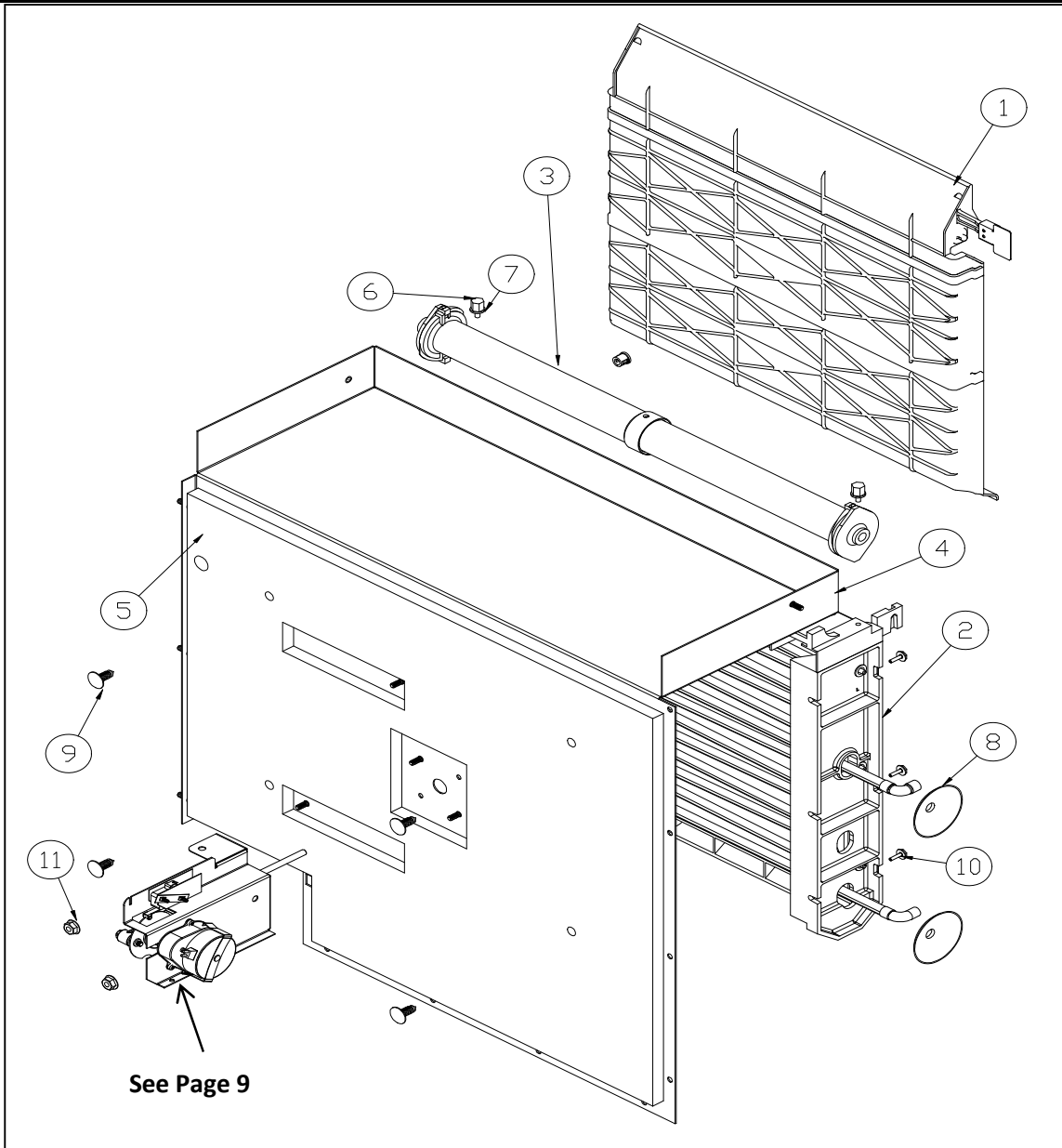
**Note: Include installation Hardware**



Item No.	Description	Part Number
1	Splash Curtain RH	2101355-03S
1	Splash Curtain RH Rev3,4,5,6,7,8	2101416-01S
1	Splash Curtain RH ICE1506 HT	2101416-01S
2	Evap. RH Side--Half	2051147-82
2	RH Half <b>Beg. 06011280012042</b>	2051232-82A
2	Evaporator Right Side--Full	2051147-81
2	RH Full <b>Beg. 06011280012042</b>	2051232-81A
2	Evap. RH Side-Half Rev3,4,5,6,7,8	2051238-82A
2	Evap. RH Side-Half ICE1506HT	2051238-82A
2	Evap RH Side-Full Rev3,4,5,6,7,8	2051238-81A

Note: Rev= Model Revision  
Includes Elbows

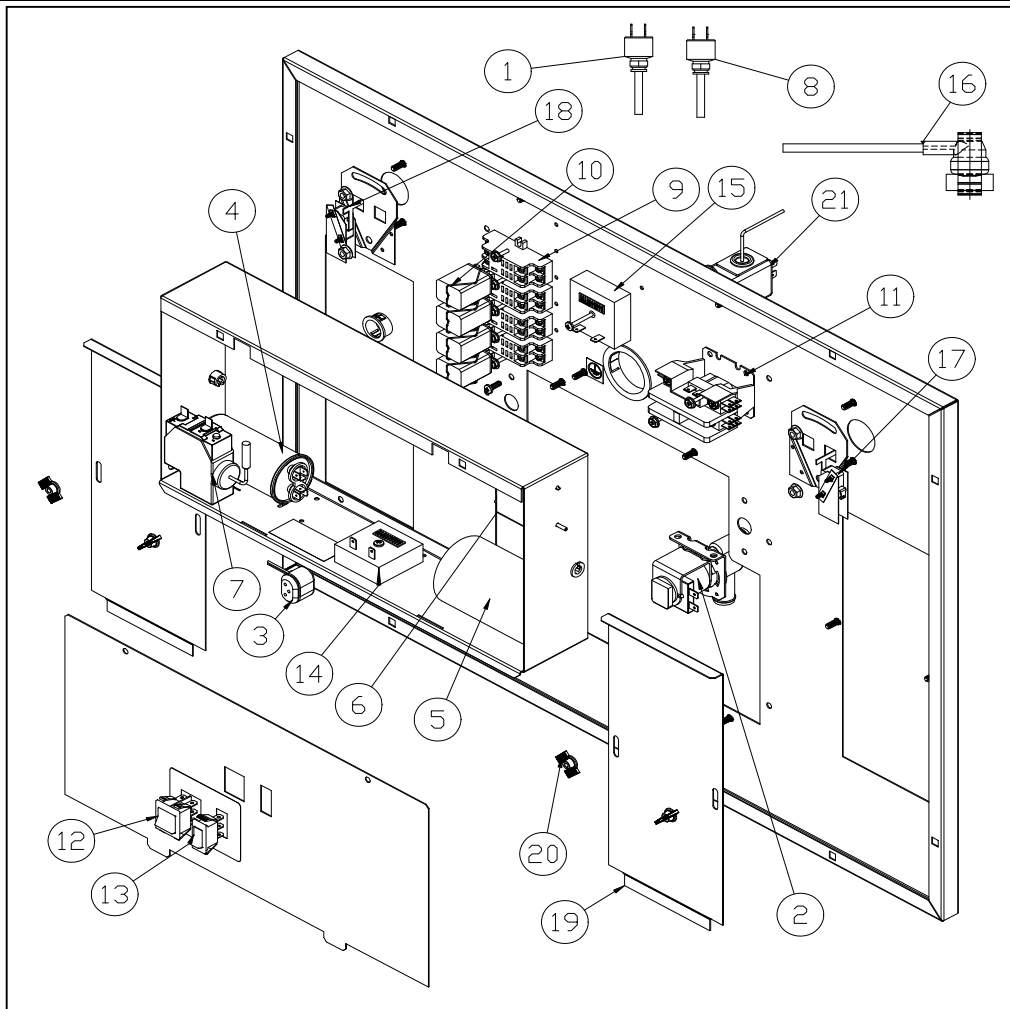
Item No.	Description	Part Number
3	Water Distribution Tube	2041338-02
4	Frame Panel RH	2021619-01
4	Frame Panel RH Rev5	2021720-01
5	Insulation, Side Panel	9131444-01
6	Thumb Screw	9031122-01
7	Rubber Washer	9031004-19
8	Tube Washer	9051237-01
9	Clips	9031154-01
10	#10-16 X 1/2 Screw	9031046-01
11	#10-24 Flanged Locknut	9031118-03



Item No.	Description	Part Number
1	Splash Curtain LH	2101355-04
1	Splash Curtain LH Rev3,4,5,6,7,8	2101416-02S
1	Splash Curtain LH ICE1506HT	2101416-02S
2	Evaporator Left Side--Half	2051148-82A
2	Evaporator Left Side--Full	2051148-81A
2	Evap Left Side--Half Rev3,4,5,6,7,8	2051237-82A
2	Evap Left Side--Half ICE1506HT	2051237-82A
2	Evap Left Side--Full Rev3,4,5,6,7,8	2051237-81A
3	Water Distribution Tube	2041338-02
4	Frame Panel LH	2021619-02
4	Frame Panel LH Rev5	2021721-01
5	Insulation, Side Panel	9131444-02
6	Thumb Screw	9031122-01
7	Rubber Washer	9031004-19
8	Tube Washer	9051237-01
9	Clips	9031154-01
10	#10-16 X 1/2 Screw	9031046-01
11	#10-24 Flanged Locknut	9031118-03

Note: Rev= Model Revision

Includes Elbows  
Includes Elbows  
Includes Elbows  
Includes Elbows  
Includes Elbows

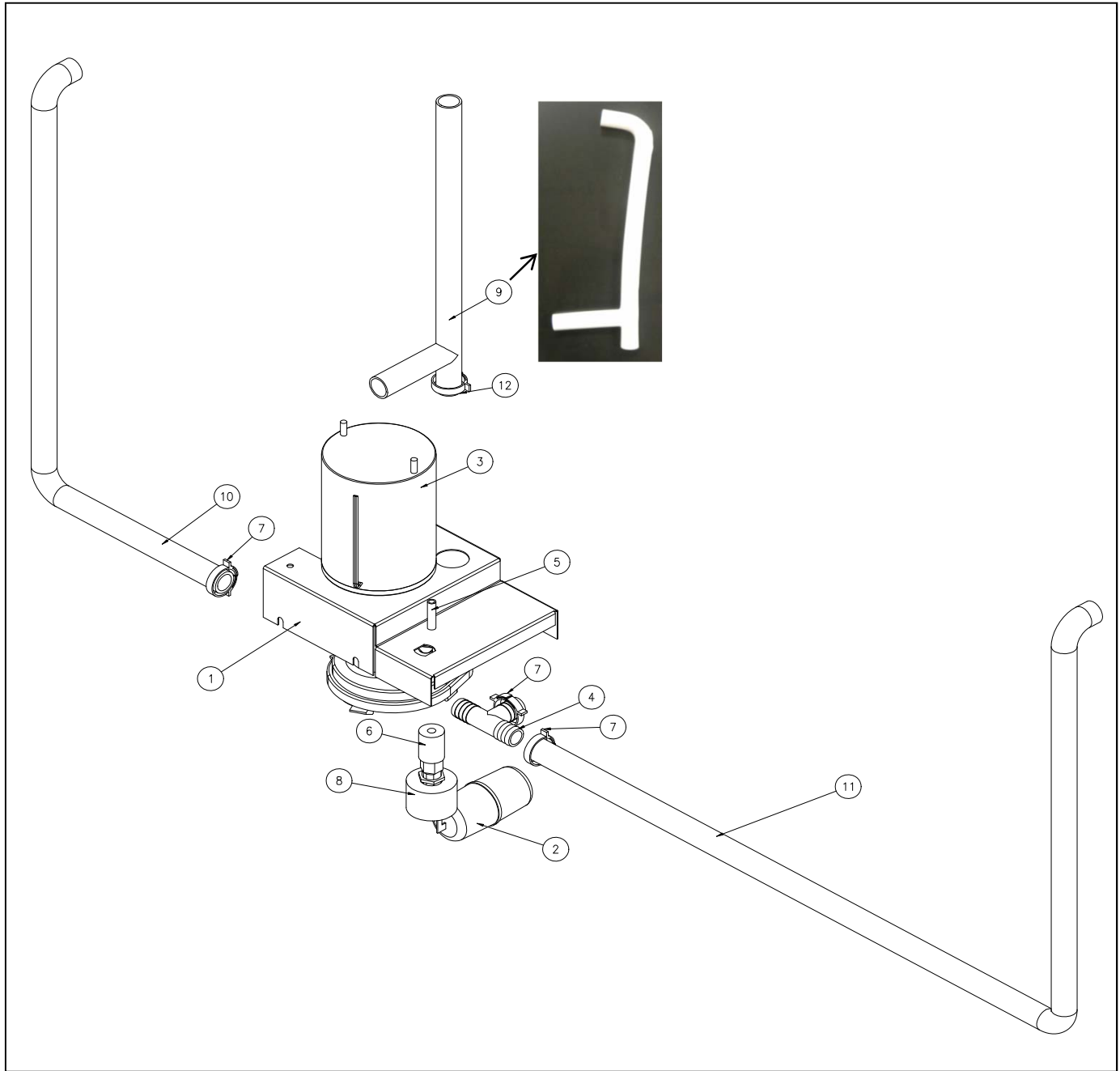


Item No.	Description	Part Number
1	Pump Down Control	9041092-02
2	Purge Valve	9041105-05
3	Water Pump Cord	9101218-10
4	Run Capacitor See Detail*	See Detail
5	Start Capacitor See Detail*	See Detail
6	Start Relay See Detail*	See Detail
7	Timer Initiate Control***	9041104-101A
8	High Pressure Control	9041111-01
9	Relay Socket	9101083-01
10	Relay 230 Volt	9101084-02
11	Contactor	9101002-06
12	Selector Switch <b>9101349-01 is NLA</b>	<b>9101195-01</b>
13	Purge Switch <b>9101348-01 is NLA</b>	<b>9101139-03</b>
13	Purge Switch <b>1051208-01 is NLA</b>	<b>9101139-03</b>
14	Timer (4 Second)	9101148-01
15	Timer (Cube Size)	9101148-01
15	Timer (6 minute) V3 0801	9101148-01
16	High Temp Safety Rev1 & Rev 2	9041087-04
16	High Temp Safety <b>Rev3,4,5,6,7,8</b>	9041117-01
17-18	Bin Limit Switch	9101124-02
19	Access Panel	3013156-01
20	Nylon Wing Nut	9031161-01
21	Bin Thermostat 9041004-02 is NLA	9041097-01
	Fan Control ICE1506 HT	9041106-01

Note\*\*\* Includes Solvent and Adhesive

**Reference Page 14  
For Compressor and Components**





Item No.	Description	Part Number
1	Water Pump Bracket	3012957-01
2	Float Assembly*	<b>9131111-102</b>
3	Water Pump	9161079-06
3	Water Pump <b>ICE1506HT</b>	<b>9161079-03</b>
4	Barbed Tee	9091024-01
5	1/4 " ID Plastic Tubing-40" long	3032898-40
6	1/4 " x 40" Long Insulation	3051210-40
7	Hose Clamp	9021010-04
8	Cap Plug	9131026-02
9	Purge/Pump Tube	9051509-02
9	<b>Purge/Pump Tube**</b>	<b>9051630-01</b>
9	<b>Purge/Pump Tube ICE1506HT</b>	<b>9051630-01</b>

Item No.	Description	Part Number
10	Water Tube Evap Left	9051507-02
	Water Tube Evap Left <b>Rev3,4,5,6,7,8</b>	9051554-01
10	Water Tube Evap Left <b>ICE1506HT</b>	9051554-01
11	Water Tube Evap Right	9051518-01
	Water Tube Evap Right <b>Rev3,4,5,6,7,8</b>	9051555-01
11	Water Tube Evap Right <b>ICE1506HT</b>	9051555-01
12	Hose Clamp	9021010-04

**Note: Rev= Model Revision**

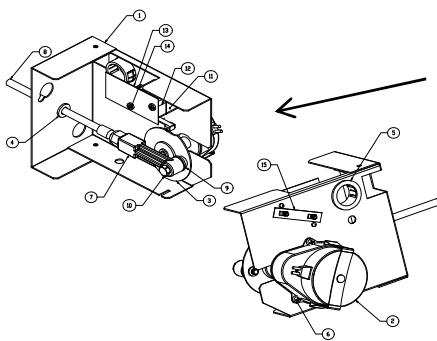
\*Note-Float Assembly Includes Fittings for Various Applications

\*\* Note-From Serial Number 13091280011075 (Pictured)

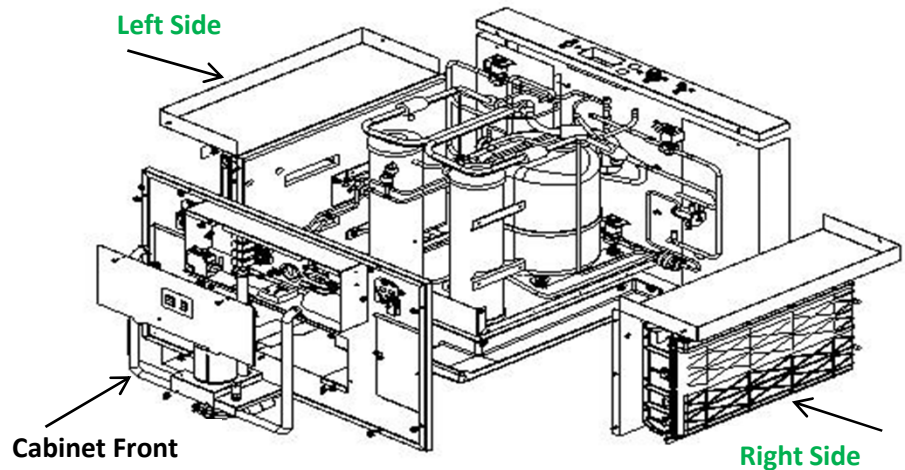
Item No.	Description	Part Number	Note: Rev= Model Revision
	<b>Complete Assembly Right</b>	<b>1051210-02B</b>	<b>Rev3, Rev4 &amp; Rev5,Rev6,Rev7, Rev8</b>
	No Longer Available	2061962-10S	Rev3, Rev4 & Rev5,
	<b>Left Complete Assembly</b>	<b>1051210-03B</b>	<b>Rev3, Rev4 &amp; Rev5, Rev6,Rev7, Rev8</b>
	Left Side Assembly	2061962-03S	Rev3, Rev4 & Rev5
	<b>Complete Assembly Right</b>	<b>1051210-02B</b>	<b>ICE1506HT</b>
	No Longer Available	2061962-10S	<b>ICE1506HT</b>
	<b>Left Complete Assembly</b>	<b>1051210-03B</b>	<b>ICE1506HT</b>
	No Longer Available	2061962-03S	<b>ICE1506HT</b>
	<b>Complete Assembly Both Sides</b>	<b>1051210-03B</b>	<b>Prior to Rev3</b>
	No Longer Available	2061962-03S	Prior to Rev3

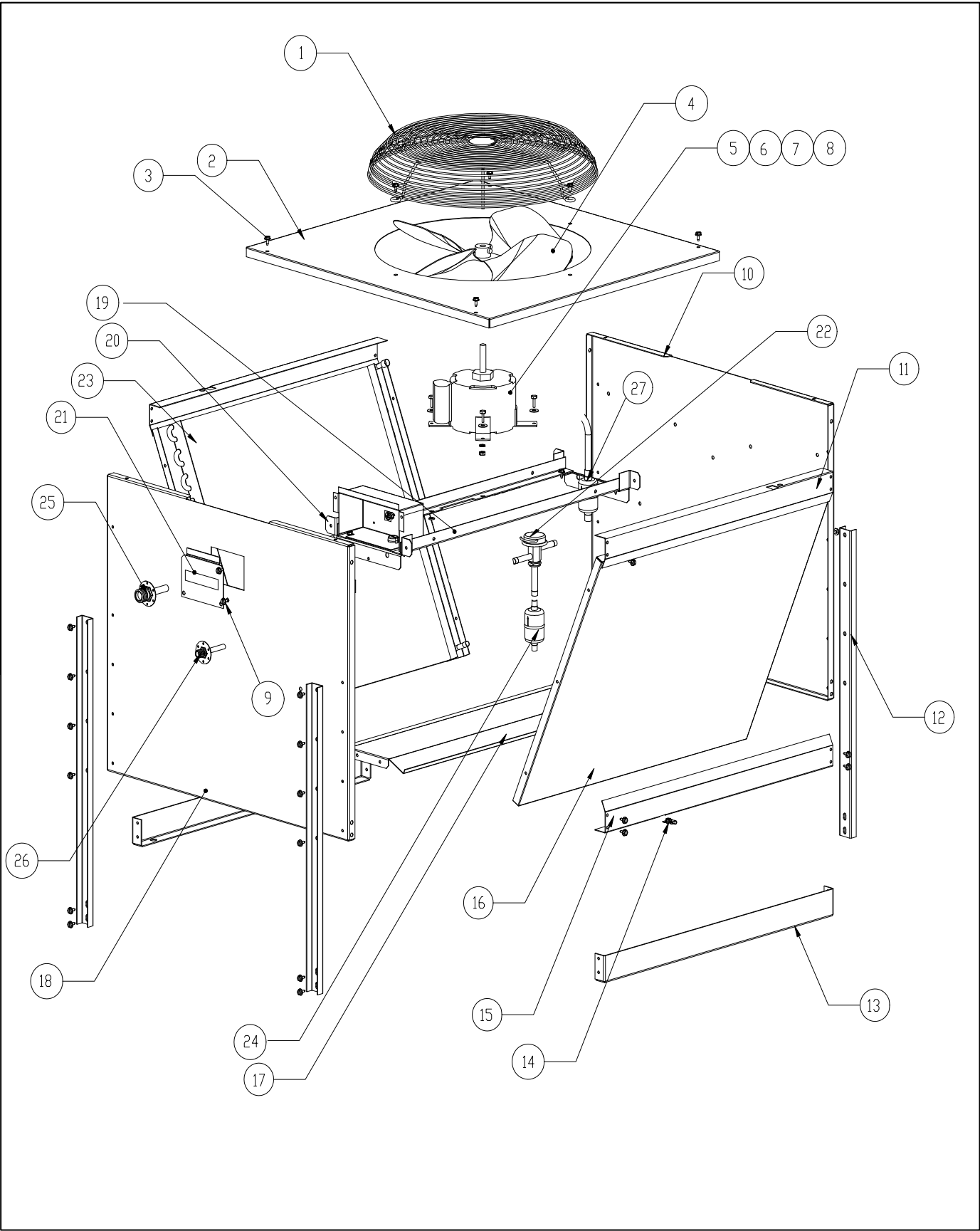


- The **1051210-XXA** assembly will fit all ICE Models from October 1999 and EC Models.
- Units installed with a double cam switch, either Field installed or Factory installed will require the complete assembly and a potential wiring change as per the New Wiring Diagram included with the assembly.
- Individual component parts are not available for the **1051210-XXA** assembly.
- Individual component parts are No Longer Available for previous version of the Harvest Assist Assembly
- Parts for the **2061962-XX** Harvest Assist Assembly are not compatible with **1051210-XXA** Harvest Assist Assembly.
- Proper assembly and alignment of the parts is critical to proper operation, this includes cam and probe alignment.

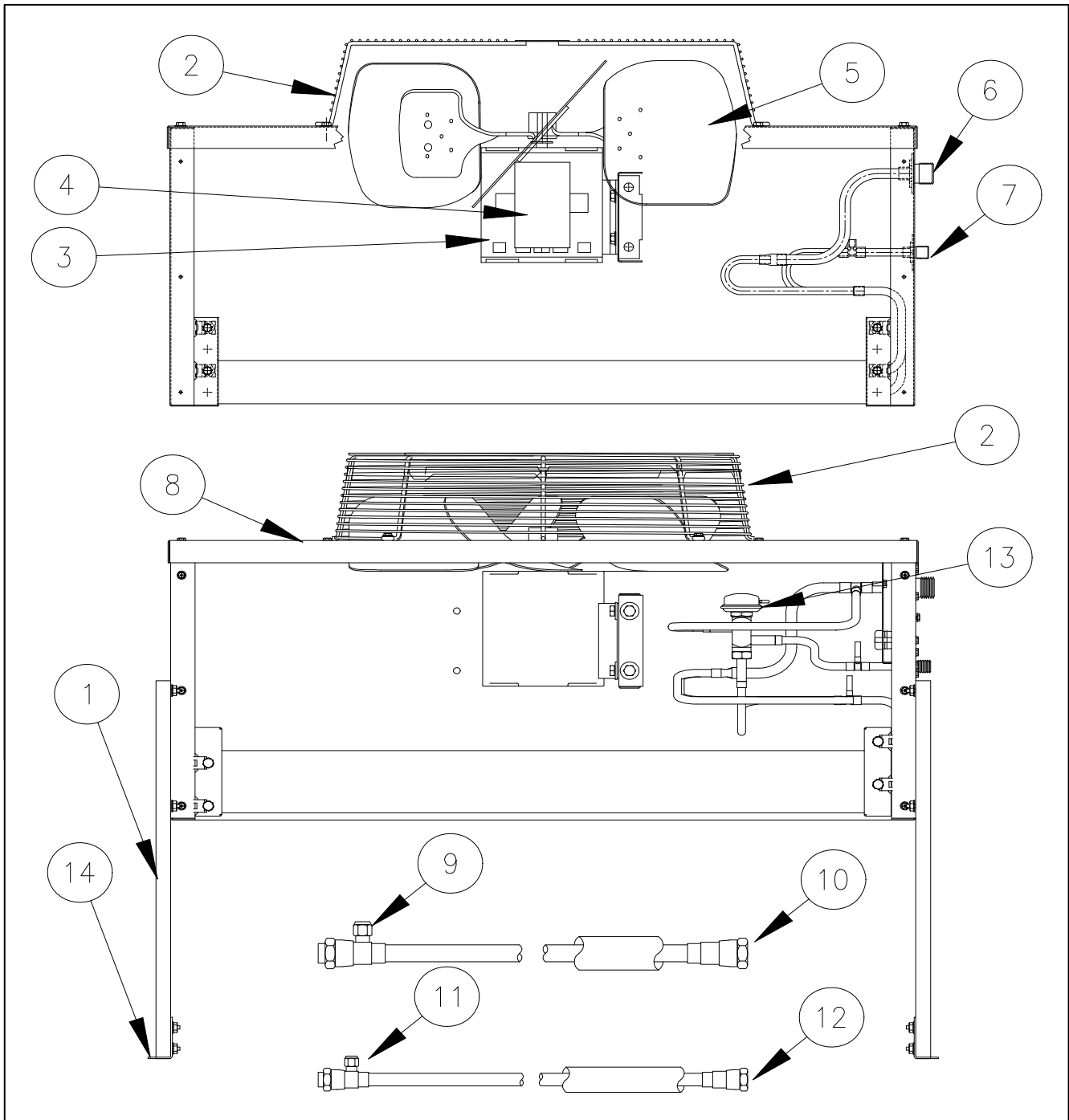


2061962-03S No Longer Available  
 2061962-10S No Longer Available



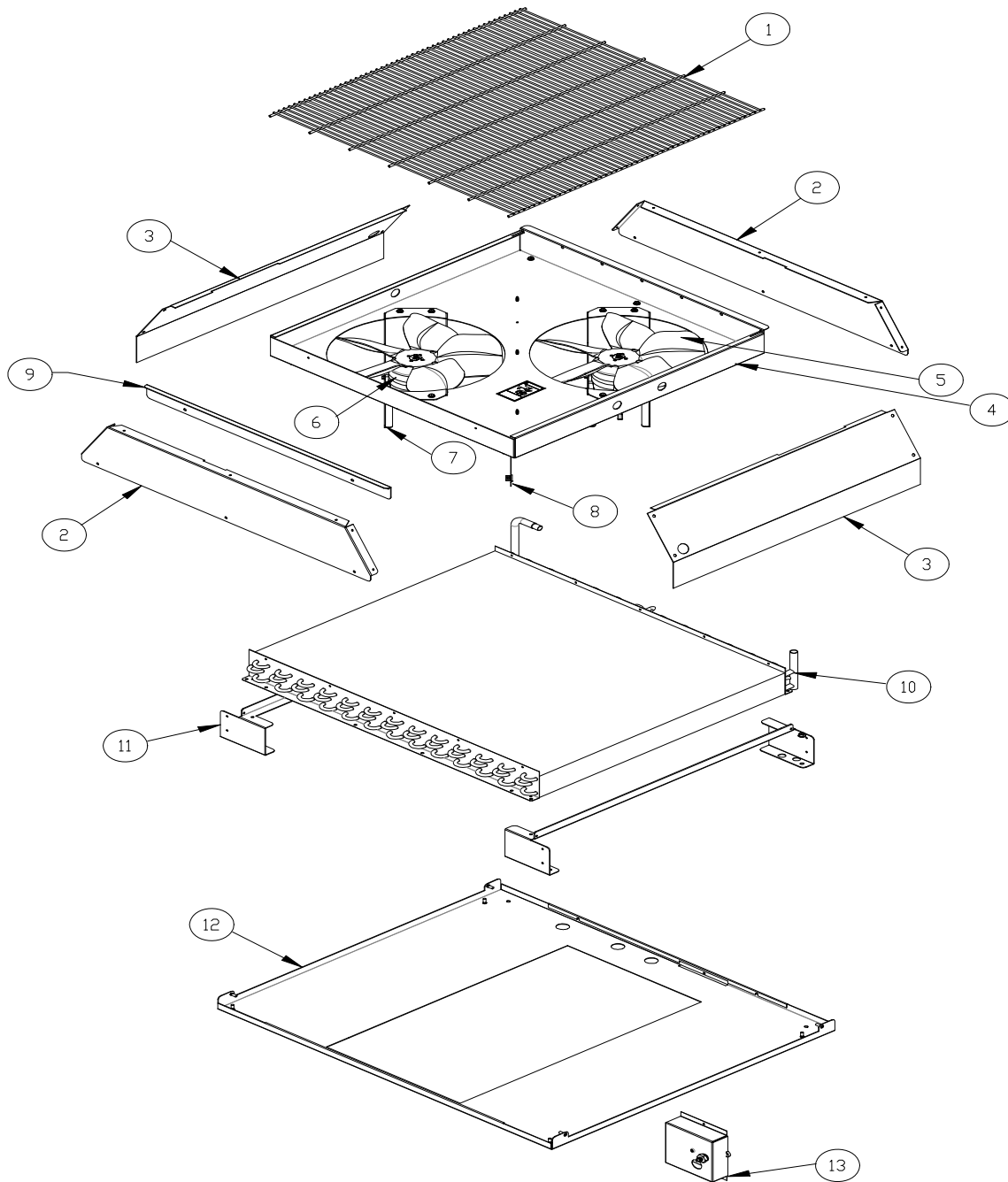


Item	Description	VRC2661
1	Fan Guard	9131452-01
2	Top Panel	3013222-01
3	¼-20 x 1/2 Screw	9031019-04
4	Fan Blade	9131451-01
5	Fan Motor	9161117-01
6	¼-20 x ¾ Cap Screw	9031001-02
7	Flat Washer	9031003-01
8	Flanged Lock Nut	9031118-02
9	¼-20 x 1/2 Screw	9031019-04
10	Rear Panel	3013224-01
11	Brace	3013226-01
12	Leg	3013227-01
13	Leg Brace	3013228-01
14	T-Nut-Shipping Only	N/A
15	Brace	3013226-01
16	Cover Panel	N/A
17	Center Panel	3013225-01
18	Front Panel	3013223-01
19	Motor Brace	3013234-01
20	Motor Brace Support	3013233-01
21	Junction Box Cover	3013229-01
22	Mixing Valve	9151027-07
23	Condenser	9141136-01
24	Filter	9151143-01
25	1/2 Coupling	9091001-12
26	3/8 Coupling	9091001-11
27	Filter	9151143-02
	Low Ambient Fan Control Kit	1051158-01



Item No.	Description	Part Number
1	Mounting Leg	3013125-01
2	Fan Guard	9131356-01
3	Fan Motor, Obsolete, No Replacement	9161110-02
4	Capacitor, Obsolete, No Replacement	9161110-92
5	Fan Blade	9131357-01
6	Coupling-Bulkhead-1/2"	9091001-12
7	Coupling-Bulkhead-3/8"	9091001-11

Item No.	Description	Part Number
8	Top Panel	3013124-01
9	Coupling Half 1/2" w/port	9091001-10
10	Coupling Half 1/2"	9091001-08
11	Coupling Half 3/8" w/port	9091001-04
12	Coupling Half 3/8"	9091001-02
13	Mixing Valve	9151027-06
14	Leg Brace	3013126-01



**ICE1506 Top Air Discharge**

1	Wire Fan Guard	9131454-02
2	Bracket, Condenser End	3013574-01
3	Cover, Condenser	3013576-01
4	Shroud, Fan	3013563-01
5	Fan Blade	9131489-01
6	Fan Motor	9161125-01
7	Bracket, Fan	3013561-01
8	Bracket, Divider	3013562-01
9	Bracket, Grill	3013575-01
10	Condenser	9141144-01
11	Bracket, Condenser Frame	3013573-01
12	Base	2021751-01
13	Junction Box	3013266-01

# ICE1506 Series Service Parts

# Compressor Data

Note: Rev= Model Revision  
\*Compressor Detail

Verify the Machine Model  
Number for the Correct Compressor  
Part Number and Components

<b>ICE1506R Rev1 &amp; Rev2</b>		<b>ICE1506R Rev1 &amp; Rev2</b>	
Compressor Kit <b>CS20K6E-PFV-235</b>	<b>9181108-11*</b>	Compressor CS20K6E-PFV-255 (Copeland)	<b>9181143-11</b>
Start Capacitor	9181003-21	Start Capacitor	9181003-21
Run Capacitor	9181009-20	Run Capacitor	9181009-20
Start Relay	9181010-10	Start Relay Rev	9181010-10

<b>ICE1506R Rev3 From SN 0801</b>		<b>ICE1506R Rev3 From SN 0801</b>	
Compressor Kit <b>CS18K6E-PFV-235</b>	<b>9181111-11**</b>	Compressor CS20K6E-PFV-255 (Copeland)	<b>9181143-11</b>
Start Capacitor	9181003-19	Start Capacitor	9181003-21
Run Capacitor	9181009-12	Run Capacitor	9181009-20
Start Relay Rev	9181010-10	Start Relay Rev	9181010-10

<b>ICE1506R Rev4 &amp; Rev5 &amp; Rev6 From SN 12021280011418</b>		<b>ICE1506R Rev4 &amp; Rev5 &amp; Rev6</b>	
Compressor Kit <b>CS18K6E-PFV-255</b>	<b>9181142-11***</b>	Compressor CS20K6E-PFV-255 (Copeland)	<b>9181143-11</b>
Start Capacitor	9181003-19	Start Capacitor	9181003-21
Run Capacitor	9181009-12	Run Capacitor	9181009-20
Start Relay Rev	9181010-10	Start Relay Rev	9181010-10

<b>ICE1506R Rev7</b>		<b>ICE1506R Rev7</b>	
Compressor Kit <b>R92J323ABC Bristol</b>	<b>9181149-11****</b>	Compressor Kit <b>CS14KIE-PFV-255=Copeland</b>	<b>1051242-01</b>
Start Capacitor	9181003-19	Start Capacitor	9181003-21
Run Capacitor	9181009-20	Run Capacitor	9181009-18
Start Relay Rev	9181010-28	Start Relay Rev	9181010-38

<b>ICE1506R Rev8</b>			
Compressor Kit <b>CS14KIE-PFV-255</b>	<b>9181241-11</b>		
Start Capacitor	<b>9181003-21</b>		
Run Capacitor	<b>9181009-18</b>		
Start Relay Rev	<b>9181010-38</b>		

<b>ICE1506HT1</b>		<b>ICE1506HT1</b>	
Compressor Kit <b>R92J323ABC Bristol</b>	<b>9181149-11****</b>	Compressor Kit <b>CS14KIE-PFV-255=Copeland</b>	<b>1051242-01</b>
Start Capacitor	9181003-19	Start Capacitor	9181003-21
Run Capacitor	9181009-20	Run Capacitor	9181009-18
Start Relay Rev	9181010-28	Start Relay Rev	9181010-38

<b>ICE1506HT2</b>			
Compressor Kit <b>CS14KIE-PFV-255</b>	<b>9181241-11</b>		
Start Capacitor	<b>9181003-21</b>		
Run Capacitor	<b>9181009-18</b>		
Start Relay Rev	<b>9181010-38</b>		

Reference Compressor Model Number to insure the Correct Starting Components

\* Note: ICE1506 Rev1 and Rev2 Remote Compressor 9181111-11 is Obsolete, Replaced by 9181143-11

\*\* Note: ICE1506 R3 Remote Compressor 9181111-11 is Obsolete, Replaced by 9181143-11

\*\*\* Note: ICE1506 R4,R5,R6 Remote Compressor 9181142-11 is Obsolete, Replaced by 9181143-11

\*\*\*\* Note: ICE1506 R7, ICE1506T1 Compressor 9181149-11 is Obsolete, Replaced by 1051242-01