



SERVICE PARTS MANUAL
ICE SERIES CUBERS
MODEL-ICE1406V1-V2, ICE1806V1-V2, ICE2106V1-V2
Includes 50hz. and 3 Phase Units



14-1012 Date

11/7/2020

ICE Series Service Parts

This parts list contains the service parts available for the ICE Series icemakers.

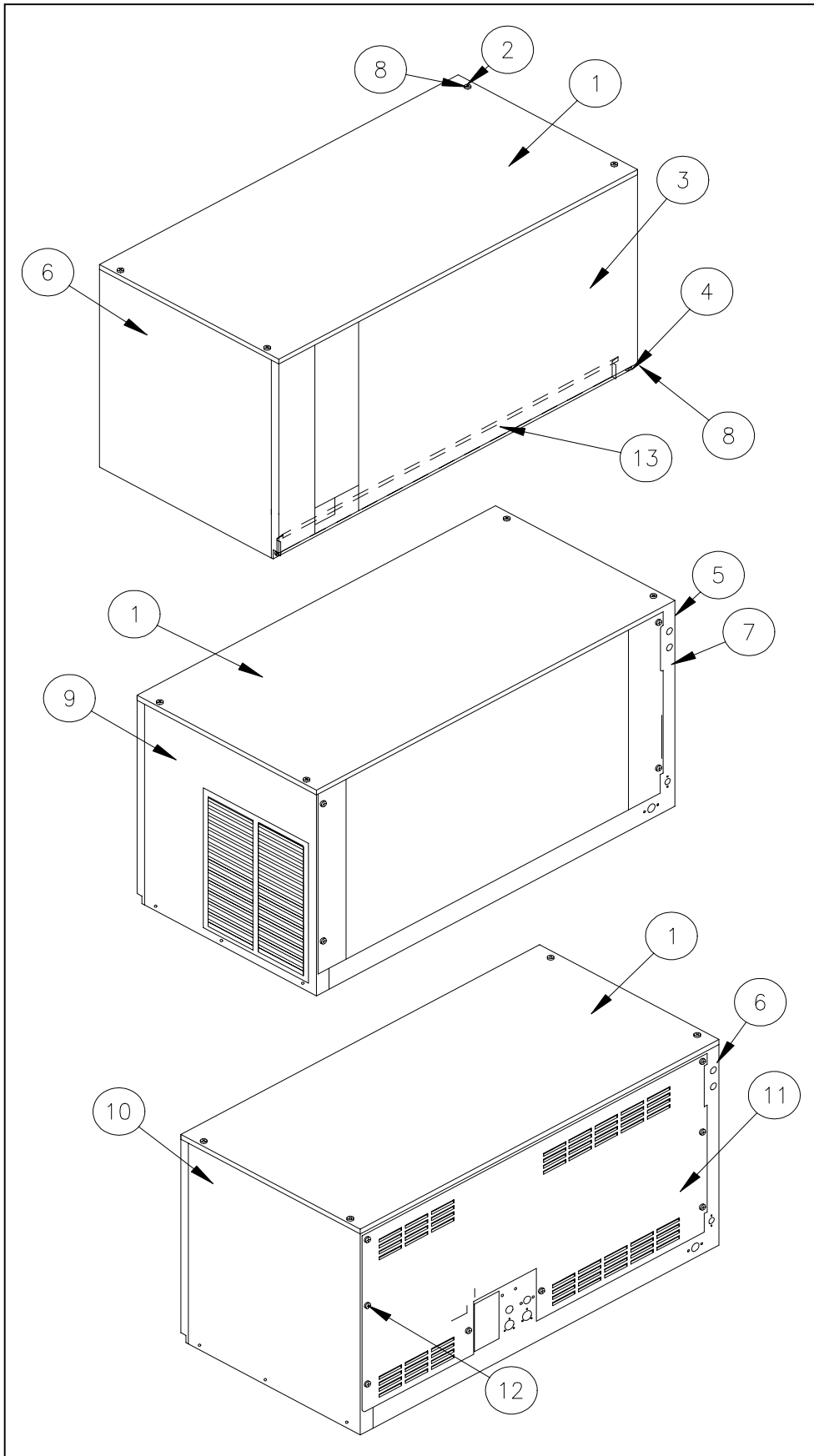
Check the model number on the data plate and refer to the correct listing for the specific component.

Check carefully that the correct part is identified and ordered.

| | |
|---------------------------------------|---------------------|
| Table of Contents | Page 1 |
| Exterior Components | Page 2 - 3 |
| Interior Components-Front View | Page 4 - 5 |
| Air Cooled | Page 6 - 7 |
| Water Cooled | Page 8 - 9 |
| Remote | Page 10 - 11 |
| Control Box | Page 12 - 13 |
| Specific Compressor Components | Page 13 |
| Harvest Assist Assembly | Page 14 - 15 |
| Remote Condenser | Page 16 - 17 |
| Water Pump and Float | Page 18-19 |
| Compressor Information | Page 20 |

Ice-O-Matic
11100 East 45th Ave.
Denver Co. 80239
800-423-3367

The ICE Series Service manual is available separately, Part number 9081270-01



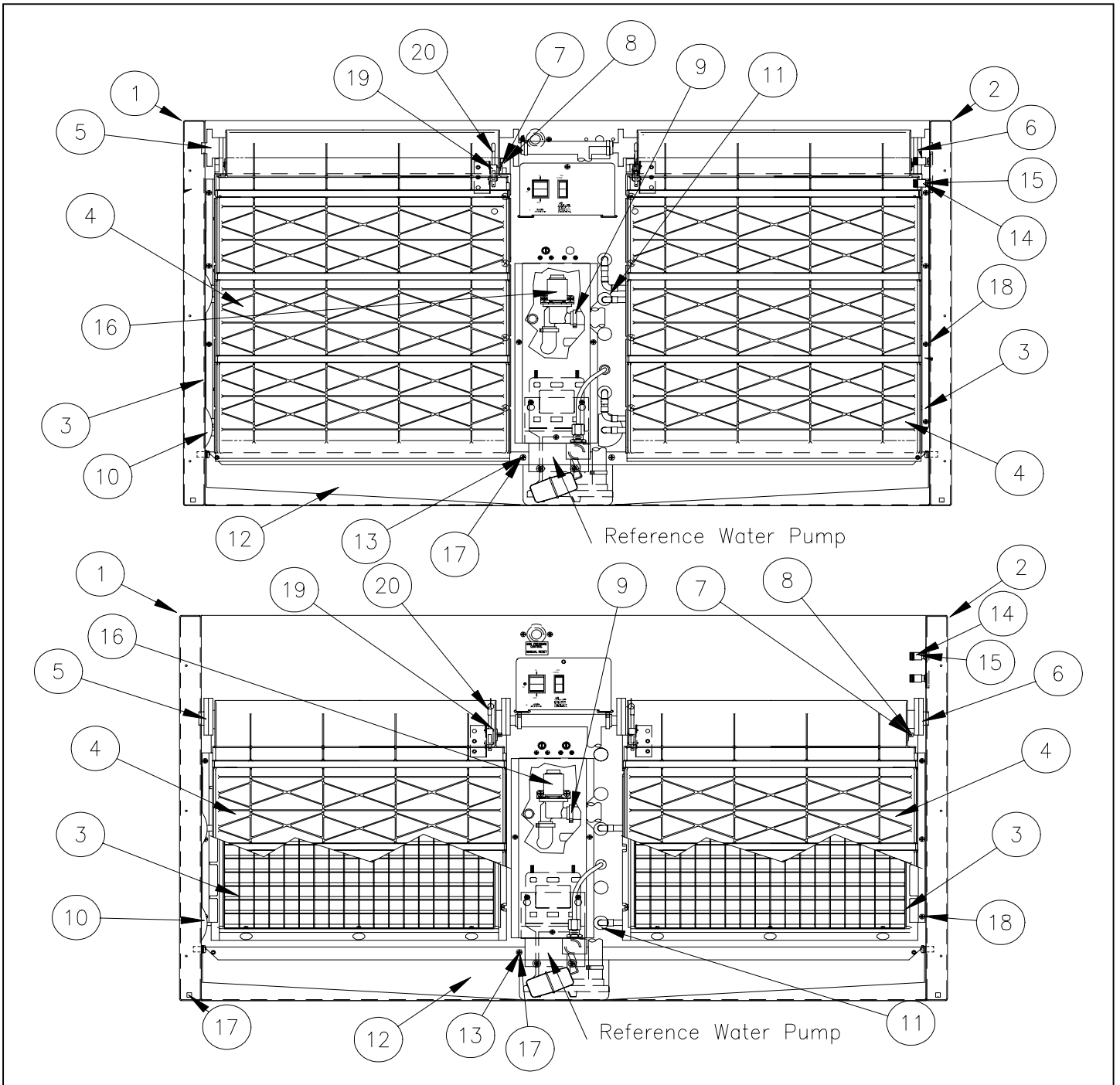
ICE Series Service Parts

Exterior Components

| Item No. | Model Number | | | | | Description |
|----------|--------------|------------|------------|------------|------------|----------------------------------------|
| | ICE1806 | ICE1807 | ICE2005 | ICE2106 | ICE2107 | |
| 1 | 9051469-01 | 9051469-01 | 9051469-01 | 9051469-01 | 9051469-01 | Top Panel NLA-NR |
| 2 | 9031098-02 | 9031098-02 | 9031098-02 | 9031098-02 | 9031098-02 | Top Panel Screw |
| 3 | 2031465-05 | 2031465-05 | 2031465-05 | 2031465-05 | 2031465-05 | Front Panel NLA-NR |
| 4 | 9031098-02 | 9031098-02 | 9031098-02 | 9031098-02 | 9031098-02 | Front Panel Screw |
| 5 | N/A | N/A | N/A | N/A | N/A | Left Hand Side Panel- Louvered |
| 6 | 3021773-01 | 3021773-01 | 3021773-01 | 3021773-01 | 3021773-01 | Left Hand Side Panel- Solid |
| 7 | 9031046-02 | 9031046-02 | 9031046-02 | 9031046-02 | 9031046-02 | Side Panel Screws |
| 8 | 9031141-01 | 9031141-01 | 9031141-01 | 9031141-01 | 9031141-01 | Plastic Nut Insert |
| 9 | N/A | N/A | N/A | N/A | N/A | Right Hand Side Panel- Louvered |
| 10 | 3021775-01 | 3021775-01 | 3021775-01 | 3021775-01 | 3021775-01 | Right Hand Side Panel- Solid |
| 11 | 3021792-01 | 3021792-01 | 3021792-01 | 3021792-01 | 3021792-01 | Rear Panel |
| 12 | 9031046-01 | 9031046-01 | 9031046-01 | 9031046-01 | 9031046-01 | Rear Panel Screw |
| 13 | 3011756-01 | 3011756-01 | 3011756-01 | 3011756-01 | 3011756-01 | Ice Deflector |

| Item No. | ICE1405 | ICE1406 | ICE1407 | Description |
|----------|------------|------------|------------|----------------------------------------|
| 1 | 9051469-01 | 9051469-01 | 9051469-01 | Top Panel NLA-NR |
| 2 | 9031098-02 | 9031098-02 | 9031098-02 | Top Panel Screw |
| 3 | 2031465-05 | 2031465-05 | 2031465-05 | Front Panel NLA-NR |
| 4 | 9031098-02 | 9031098-02 | 9031098-02 | Front Panel Screw |
| 5 | 2031468-03 | 2031468-03 | 2031468-03 | Left Hand Side Panel- Louvered |
| 6 | 3021773-01 | 3021773-01 | 3021773-01 | Left Hand Side Panel- Solid |
| 7 | 9031046-02 | 9031046-02 | 9031046-02 | Side Panel Screws |
| 8 | 9031141-01 | 9031141-01 | 9031141-01 | Plastic Nut Insert |
| 9 | 2031468-02 | 2031468-02 | 2031468-02 | Right Hand Side Panel- Louvered |
| 10 | 3021775-01 | 3021775-01 | 3021775-01 | Right Hand Side Panel- Solid |
| 11 | 3021792-01 | 3021792-01 | 3021792-01 | Rear Panel |
| 12 | 9031046-01 | 9031046-01 | 9031046-01 | Rear Panel Screw |
| 13 | 3011756-01 | 3011756-01 | 3011756-01 | Ice Deflector |

NLA-NR=No Longer Available-No Replacement



ICE Series Service Parts

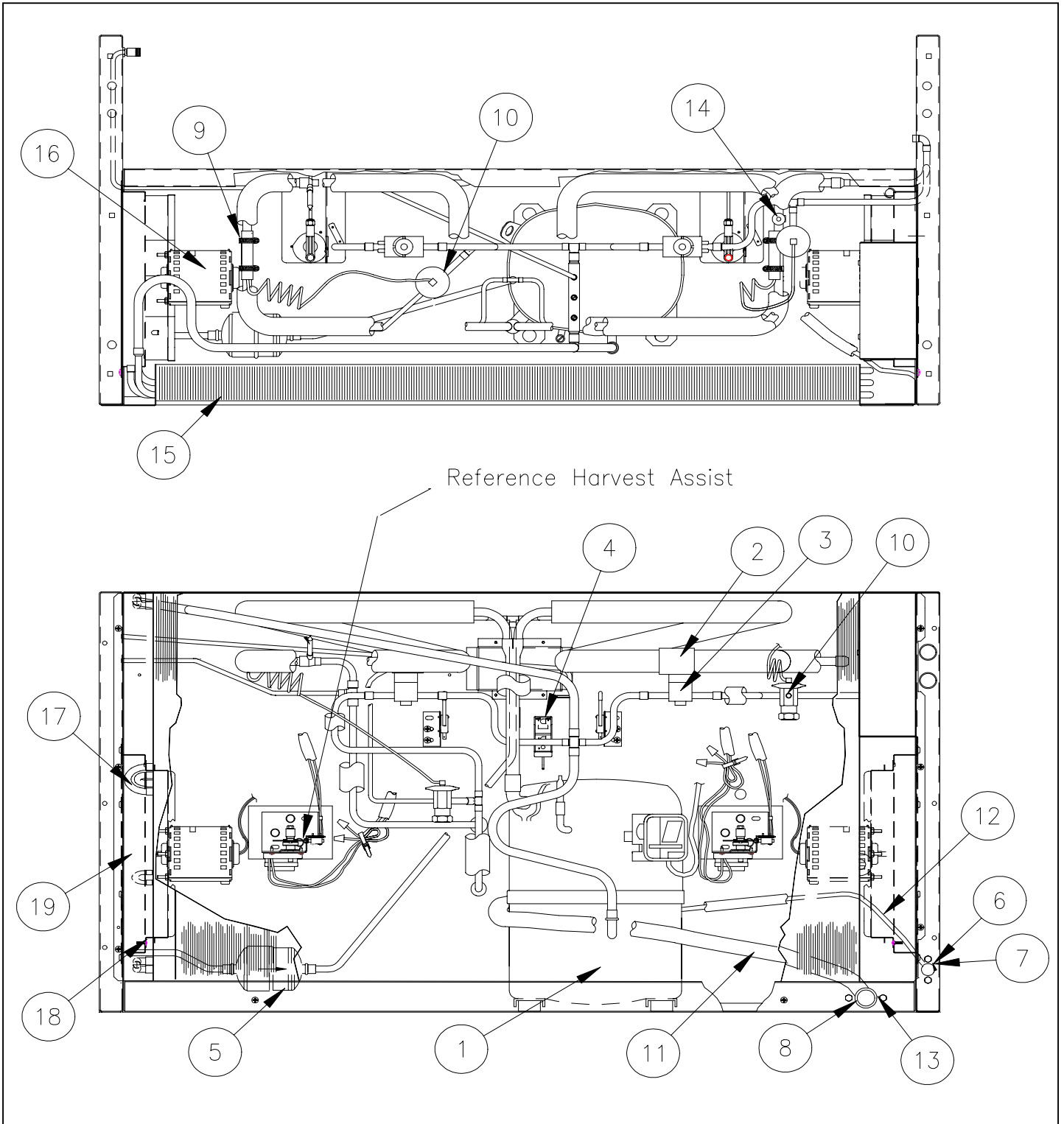
Front Interior

| Item No. | Model Number | | | | | Description |
|----------|--------------|------------|------------|------------|------------|---------------------------------|
| | ICE1806 | ICE1807 | ICE2005 | ICE2106 | ICE2107 | |
| 1 | 2021547-01 | 2021547-01 | 2021547-01 | 2021547-01 | 2021547-01 | Left Hand Frame Panel NLA-NR |
| 2 | 3012874-01 | 3012874-01 | 3012874-01 | 3012874-01 | 3012874-01 | Right Hand Frame Panel NLA-NR |
| 3 | 2051125-81 | 2051125-81 | 2051125-81 | 2051125-81 | 2051125-81 | Evaporator-Full Cube |
| 3 | 2051125-82 | 2051125-82 | 2051125-82 | 2051125-82 | 2051125-82 | Evaporator-Half Cube |
| 4 | 3051197-04 | 3051197-04 | 3051197-04 | 3051197-04 | 3051197-04 | Evaporator Splash Curtain |
| 5 | 2041338-02 | 2041338-02 | 2041338-02 | 2041338-02 | 2041338-02 | Water Distribution Tube LH |
| 6 | 2041338-01 | 2041338-01 | 2041338-01 | 2041338-01 | 2041338-01 | Water Distribution Tube RH |
| 7 | 9031122-01 | 9031122-01 | 9031122-01 | 9031122-01 | 9031122-01 | Thumb Screw |
| 8 | 9031004-19 | 9031004-19 | 9031004-19 | 9031004-19 | 9031004-19 | Rubber Washer |
| 9 | 9021010-04 | 9021010-04 | 9021010-04 | 9021010-04 | 9021010-04 | Clamp |
| 10 | 9051237-02 | 9051237-02 | 9051237-02 | 9051237-02 | 9051237-02 | Tube Washer |
| 11 | 9051238-01 | 9051238-01 | 9051238-01 | 9051238-01 | 9051238-01 | Washer Tapered |
| 12 | 9051201-01 | 9051201-01 | 9051201-01 | 9051201-01 | 9051201-01 | Water Return Trough |
| 13 | 9031046-24 | 9031046-24 | 9031046-24 | 9031046-24 | 9031046-24 | Water Return Trough Screw |
| 14 | 9091086-02 | 9091086-02 | 9091086-02 | 9091086-02 | 9091086-02 | Valve Core |
| 15 | 9091086-03 | 9091086-03 | 9091086-03 | 9091086-03 | 9091086-03 | Valve Cap |
| 16 | 9041105-03 | 9041105-03 | 9041105-03 | 9041105-03 | 9041105-03 | Purge Valve (9041086-03 is NLA) |
| 17 | 9031141-01 | 9031141-01 | 9031141-01 | 9031141-01 | 9031141-01 | Plastic Nut Insert |
| 18 | 9031046-01 | 9031046-01 | 9031046-01 | 9031046-01 | 9031046-01 | Evaporator Mounting Screw |
| 19 | 9101145-03 | 9101145-03 | 9101145-03 | 9101145-03 | 9101145-03 | Bin Switch |
| 20 | 9131331-01 | 9131331-01 | 9131331-01 | 9131331-01 | 9131331-01 | Wire-Curtain Switch NLA-NR |

| Item No. | ICE1405 | ICE1406 | ICE1407 | Description |
|----------|-------------|-------------|-------------|---------------------------------|
| 1 | 2021547-01 | 2021547-01 | 2021547-01 | Left Hand Frame Panel NLA-NR |
| 2 | 3012874-01 | 3012874-01 | 3012874-01 | Right Hand Frame Panel NLA-NR |
| 3 | 2051148-81A | 2051148-81A | 2051148-81A | Evaporator-Full Cube |
| 3 | 2051148-82A | 2051148-82A | 2051148-82A | Evaporator-Half Cube |
| 4 | 3051197-03 | 3051197-03 | 3051197-03 | Evaporator Splash Curtain |
| 5 | 2041338-02 | 2041338-02 | 2041338-02 | Water Distribution Tube LH |
| 6 | 2041338-01 | 2041338-01 | 2041338-01 | Water Distribution Tube RH |
| 7 | 9031122-01 | 9031122-01 | 9031122-01 | Thumb Screw |
| 8 | 9031004-19 | 9031004-19 | 9031004-19 | Rubber Washer |
| 9 | 9021010-04 | 9021010-04 | 9021010-04 | Clamp |
| 10 | 9051237-02 | 9051237-02 | 9051237-02 | Tube Washer |
| 11 | 9051238-01 | 9051238-01 | 9051238-01 | Washer Tapered |
| 12 | 9051201-02 | 9051201-02 | 9051201-02 | Water Return Trough |
| 13 | 9031046-24 | 9031046-24 | 9031046-24 | Water Return Trough Screw |
| 14 | 9091086-02 | 9091086-02 | 9091086-02 | Valve Core |
| 15 | 9091086-03 | 9091086-03 | 9091086-03 | Valve Cap |
| 16 | 9041105-03 | 9041105-03 | 9041105-03 | Purge Valve (9041086-03 is NLA) |
| 17 | 9031141-01 | 9031141-01 | 9031141-01 | Plastic Nut Insert |
| 18 | 9031046-01 | 9031046-01 | 9031046-01 | Evaporator Mounting Screw |
| 19 | 9101145-03 | 9101145-03 | 9101145-03 | Bin Switch |
| 20 | 9131331-01 | 9131331-01 | 9131331-01 | Wire-Curtain Switch NLA-NR |

NLA-NR=No Longer Available-No Replacement


Evaporators include elbows.




ICE Series Service Parts

Air Cooled

| Item No. | Model Number | | | Description |
|----------|--------------|--------------|--------------|----------------------------------|
| | ICE1405 | ICE1406 | ICE1407 | |
| 1 | 9181094-12 | 9181108-11 | 9181111-12 | Compressor (NLA See Below) |
| 2 | 9151123-04 | 9151123-04 | 9151123-04 | Hot Gas Valve Coil |
| 3 | 9151123-01 | 9151123-01 | 9151123-01 | Hot Gas Valve Body |
| 4 | 9041104-101A | 9041104-101A | 9041104-101A | Low Pressure Control |
| 5 | 9151163-02 | 9151163-02 | 9151163-02 | Filter Drier (9151004-03 is NLA) |
| 6 | 9091074-01 | 9091074-01 | 9091074-01 | Drop Adapter |
| 7 | 9091083-01 | 9091083-01 | 9091083-01 | Water Inlet Fitting |
| 8 | 9091140-01 | 9091140-01 | 9091140-01 | Purge Drain Fitting |
| 9 | 9021040-01 | 9021040-01 | 9021040-01 | Clamp-TXV Bulb |
| 10 | 9151150-101 | 9151150-101 | 9151150-101 | Expansion Valve (9151134 is NLA) |
| 11 | 6021015-06 | 6021015-06 | 9051280-06 | Purge Drain Tube |
| 12 | 6021032-01 | 6021032-01 | 6021032-01 | Tube (3.59 Ft.) |
| 13 | 9021010-04 | 9021010-04 | 9021010-04 | Clamp |
| 14 | 9041087-01 | 9041087-01 | 9041087-01 | High Temp Safety |
| 15 | 9141114-01 | 9141114-01 | 9141114-01 | Air Condenser |
| 16 | 1051209-03 | 1051209-03 | 1051209-03 | Fan Motor (9161089-03 is NLA) |
| 17 | 9131383-01 | 9131332-02 | 9131332-02 | Fan Blade |
| 18 | 2021574-01 | 3012527-01 | 3012527-01 | Fan Motor Bracket |
| 19 | 3013026-01 | 3012526-01 | 3012526-01 | Fan Shroud |



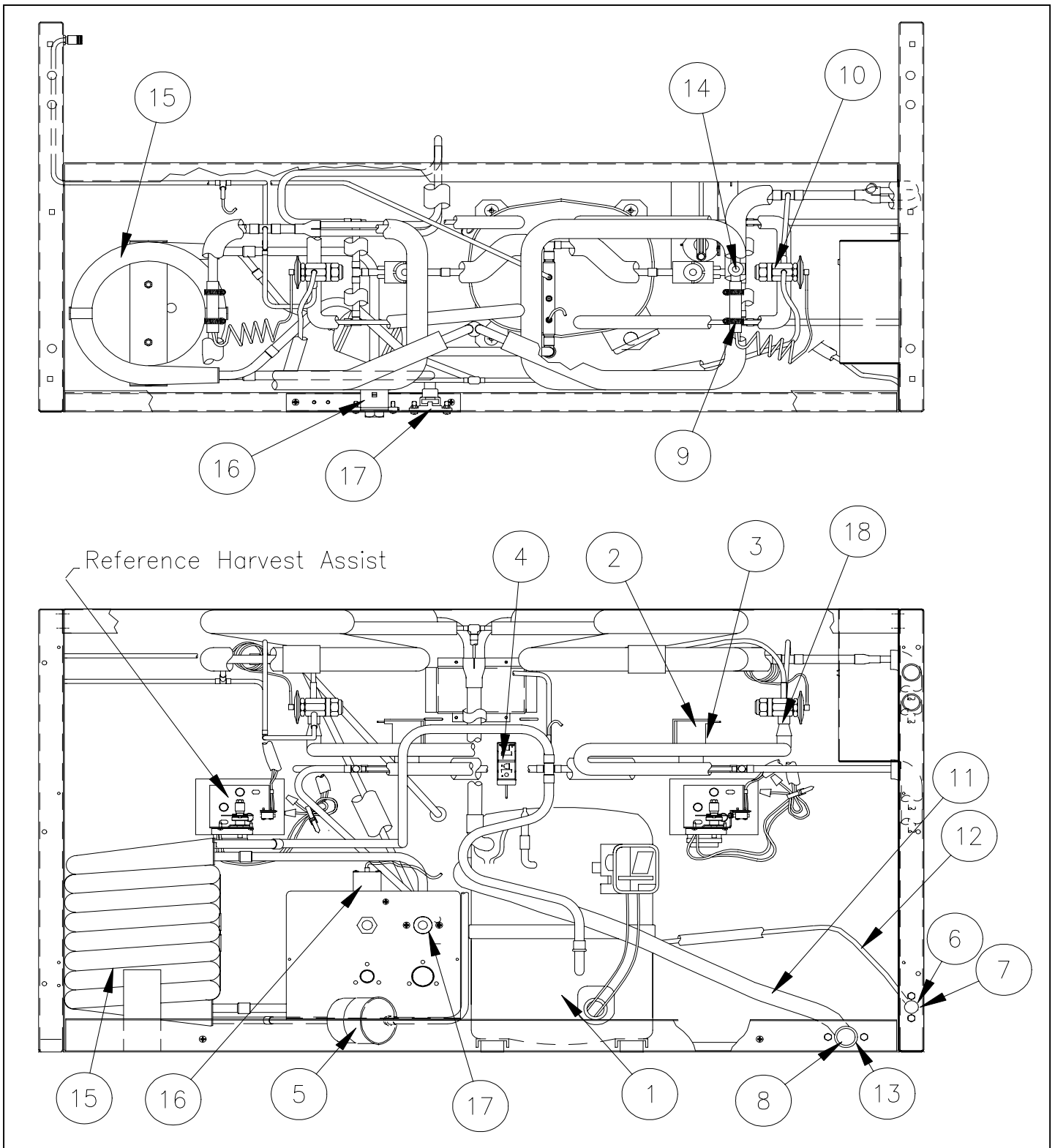
9181108-11 is NLA-Replace by 9181143-11



9181094-12 is NLA-Replace by 9181142-11

Reference Page 20 for Specific Compressor Components

NLA=No Longer Available





ICE1800/2100 Water Cooled Machine Shown

ICE Series Service Parts

Water Cooled



| Item No. | Model Number | | | | | Description |
|----------|---------------------------------|--------------|--------------|--------------|--------------|---------------------------------------------------------------|
| | ICE1806 | ICE1807 | ICE2005 | ICE2106 | ICE2107 | |
| 1 | 9181108-11 | 9181108-12 | 9181110-13 | 9181123-11 | 9181123-12 | Compressor (NLA See Below) |
| 2 | 9151123-04 | 9151123-04 | 9151123-04 | 9151123-04 | 9151123-04 | Hot Gas Valve Coil |
| 3 | 9151123-01 | 9151123-01 | 9151123-01 | 9151123-01 | 9151123-01 | Hot Gas Valve Body |
| 4 | 9041104-101A | 9041104-101A | 9041104-101A | 9041104-101A | 9041104-101A | Low Pressure Control |
| 5 | 9151163-02 | 9151163-02 | 9151163-02 | 9151163-02 | 9151163-02 | Filter Drier (9151004-03 is NLA) |
| 6 | 9091074-01 | 9091074-01 | 9091074-01 | 9091074-01 | 9091074-01 | Drop Adapter |
| 7 | 9091083-01 | 9091083-01 | 9091083-01 | 9091083-01 | 9091083-01 | Water Inlet Fitting |
| 8 | 9091140-01 | 9091140-01 | 9091140-01 | 9091140-01 | 9091140-01 | Purge Drain Fitting |
| 9 | 9021040-01 | 9021040-01 | 9021040-01 | 9021040-01 | 9021040-01 | Clamp-TXV Bulb |
| 10 | No Longer Available-See Item 18 | | | | | Expansion Valve (9151006-17 NLA) |
| 11 | 9051280-06 | 9051280-06 | 9051280-06 | 9051280-06 | 9051280-06 | Purge Drain Hose |
| 12 | 6021032-01 | 6021032-01 | 6021032-01 | 6021032-01 | 6021032-01 | Tube (3.59 Ft.) |
| 13 | 9021010-14 | 9021010-14 | 9021010-14 | 9021010-14 | 9021010-14 | Clamp |
| 14 | 9041087-01 | 9041087-01 | 9041087-01 | 9041087-01 | 9041087-01 | High Temp Safety |
| 15 | 9141060-01 | 9141060-01 | 9141093-01 | 9141093-01 | 9141093-01 | Water Condenser |
| 16 | 9041056-01 | 9041056-01 | 9041056-01 | 9041056-01 | 9041056-01 | Water Valve |
| 17 | 9091063-02 | 9091063-02 | 9091063-02 | 9091063-02 | 9091063-02 | Drop Adapter 1/2" |
| 18 | 2041982-01S | 2041982-01S | 2041982-01S | 2041982-01S | 2041982-01S | Expansion Valve Assembly (Includes Distributor and Tubing) |

9181108-11 is NLA-Replace by 9181143-11

9181110-13 is NLA-No Replacement

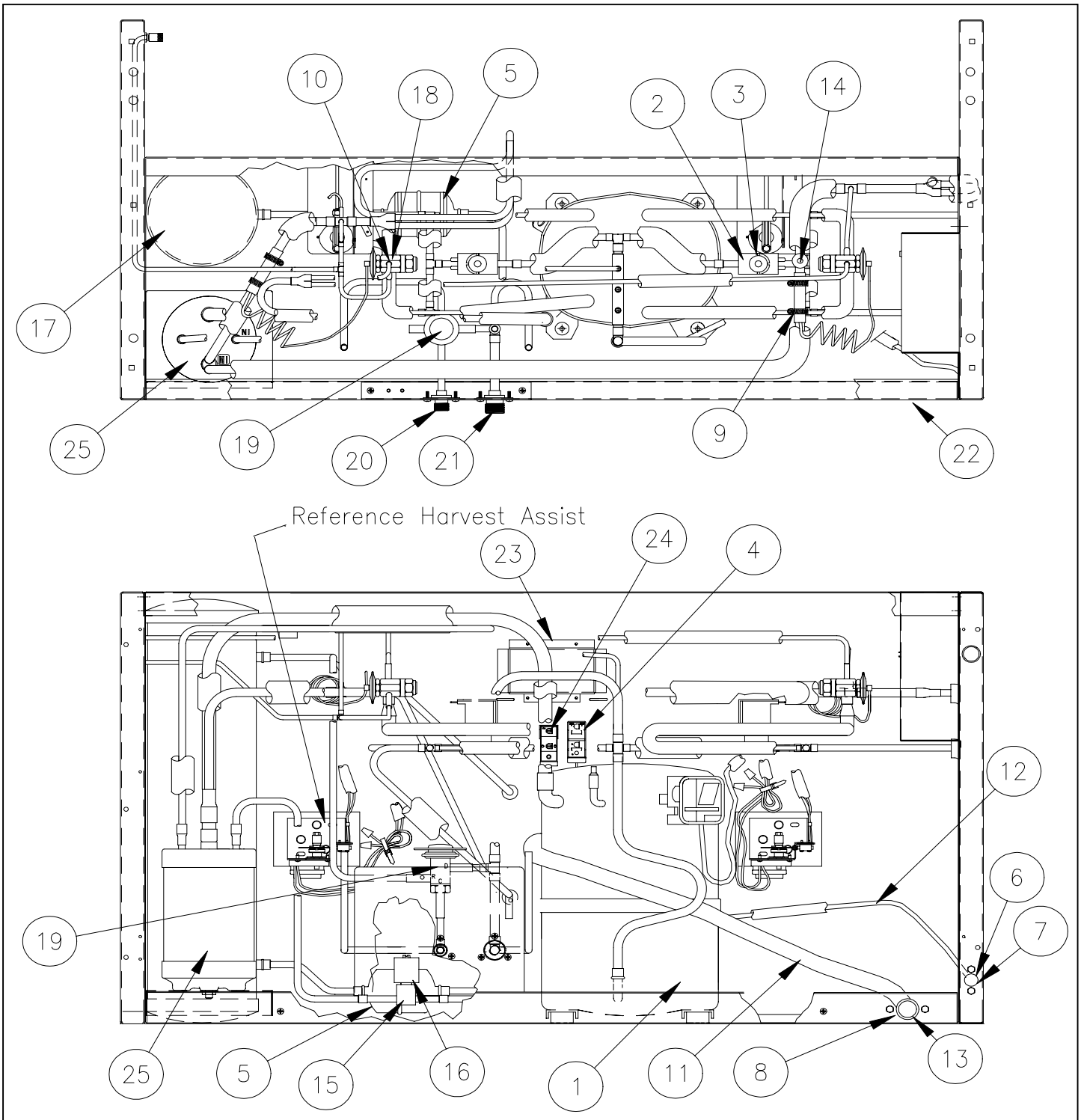
| Item No. | ICE1405 | ICE1406 | ICE1407 | Description |
|----------|--------------|--------------|--------------|----------------------------------|
| | 1 | 9181094-12 | 9181108-11 | |
| 2 | 9151123-04 | 9151123-04 | 9151123-04 | Hot Gas Valve Coil |
| 3 | 9151123-02 | 9151123-02 | 9151123-02 | Hot Gas Valve Body |
| 4 | 9041104-101A | 9041104-101A | 9041104-101A | Low Pressure Control |
| 5 | 9151163-02 | 9151163-02 | 9151163-02 | Filter Drier (9151004-03 is NLA) |
| 6 | 9091074-01 | 9091074-01 | 9091074-01 | Drop Adapter |
| 7 | 9091083-01 | 9091083-01 | 9091083-01 | Water Inlet Fitting |
| 8 | 9091140-01 | 9091140-01 | 9091140-01 | Purge Drain Fitting |
| 9 | 9021040-01 | 9021040-01 | 9021040-01 | Clamp-TXV Bulb |
| 10 | 9151150-101 | 9151150-101 | 9151150-101 | Expansion Valve (9151134 is NLA) |
| 11 | 9051280-06 | 9051280-06 | 9051280-06 | Purge Drain Hose |
| 12 | 6021032-01 | 6021032-01 | 6021032-01 | Tube (3.59 Ft.) |
| 13 | 9021010-14 | 9021010-14 | 9021010-14 | Clamp |
| 14 | 9041087-01 | 9041087-01 | 9041087-01 | High Temp Safety |
| 15 | 9141061-02 | 9141061-02 | 9141061-02 | Water Condenser |
| 16 | 9041059-01 | 9041059-01 | 9041059-01 | Water Valve |
| 17 | 9091063-02 | 9091063-02 | 9091063-02 | Drop Adapter 1/2" |

9181094-12 is NLA-Replace by 9181142-11

9181108-11 is NLA-Replace by 9181143-11

Reference Page 20 for Specific Compressor Components



ICE1800/2100 Remote Machine Shown

ICE Series Service Parts

Remote

| Item No. | Model Number | | | | | Description |
|----------|---------------------------------|--------------|--------------|--------------|--------------|----------------------------------|
| | ICE1806 | ICE1807 | ICE2005 | ICE2106 | ICE2107 | |
| 1 | 9181108-11 | 9181108-12 | 9181110-13 | 9181110-11 | 9181123-12 | Compressor (NLA See Below) |
| 2 | 9151123-04 | 9151123-04 | 9151123-04 | 9151123-04 | 9151123-04 | Hot Gas Valve Coil |
| 3 | 9151123-01 | 9151123-01 | 9151123-01 | 9151123-01 | 9151123-01 | Hot Gas Valve Body |
| 4 | 9041104-101A | 9041104-101A | 9041104-101A | 9041104-101A | 9041104-101A | Low Pressure Control |
| 5 | 9151163-02 | 9151163-02 | 9151163-02 | 9151163-02 | 9151163-02 | Filter Drier (9151004-03 is NLA) |
| 6 | 9091074-01 | 9091074-01 | 9091074-01 | 9091074-01 | 9091074-01 | Drop Adapter |
| 7 | 9091083-01 | 9091083-01 | 9091083-01 | 9091083-01 | 9091083-01 | Water Inlet Fitting |
| 8 | 9091140-01 | 9091140-01 | 9091140-01 | 9091140-01 | 9091140-01 | Purge Drain Fitting |
| 9 | 9021040-01 | 9021040-01 | 9021040-01 | 9021040-01 | 9021040-01 | Clamp-TXV Bulb |
| 10 | No Longer Available-See Item 18 | | | | | Expansion Valve (9151006-17 NLA) |
| 11 | 6021015-06 | 6021015-06 | 6021015-06 | 6021015-06 | 6021015-06 | Purge Drain Hose |
| 12 | 6021032-01 | 6021032-01 | 6021032-01 | 6021032-01 | 6021032-01 | Tube (2.17 Ft.) |
| 13 | 9021010-14 | 9021010-14 | 9021010-14 | 9021010-14 | 9021010-14 | Clamp |
| 14 | 9041087-01 | 9041087-01 | 9041087-01 | 9041087-01 | 9041087-01 | High Temp Safety |
| 15 | 9151123-02 | 9151123-02 | 9151123-02 | 9151123-02 | 9151123-02 | Liquid Line Solenoid Body |
| 16 | 9151123-04 | 9151123-04 | 9151123-04 | 9151123-04 | 9151123-04 | Liquid Line Solenoid Coil |
| 17 | 9151109-01 | 9151109-01 | 9151109-01 | 9151109-01 | 9151109-01 | Receiver |
| 18 | 2041982-01S | 2041982-01S | 2041982-01S | 2041982-01S | 2041982-01S | Expansion Valve Assembly |
| 19 | 9151027-06 | 9151027-06 | 9151027-06 | 9151027-06 | 9151027-06 | Mixing Valve (240) |
| 20 | 9091001-11 | 9091001-11 | 9091001-11 | 9091001-11 | 9091001-11 | Remote Fitting 3/8" |
| 21 | 9091001-12 | 9091001-12 | 9091001-12 | 9091001-12 | 9091001-12 | Remote Fitting 1/2" |
| 22 | 3011978-01 | 3011978-01 | 3011978-01 | 3011978-01 | 3011978-01 | Rear Brace |
| 23 | 9041051-04 | 9041051-04 | 9041051-04 | 9041051-04 | 9041051-04 | High Pressure Control |
| 24 | 9041092-02 | 9041092-02 | 9041092-02 | 9041092-02 | 9041092-02 | Pump Down Control |
| 25 | 9151136-01 | 9151136-01 | 9151136-01 | 9151136-01 | 9151136-01 | Accumulator/Heat Exchanger |

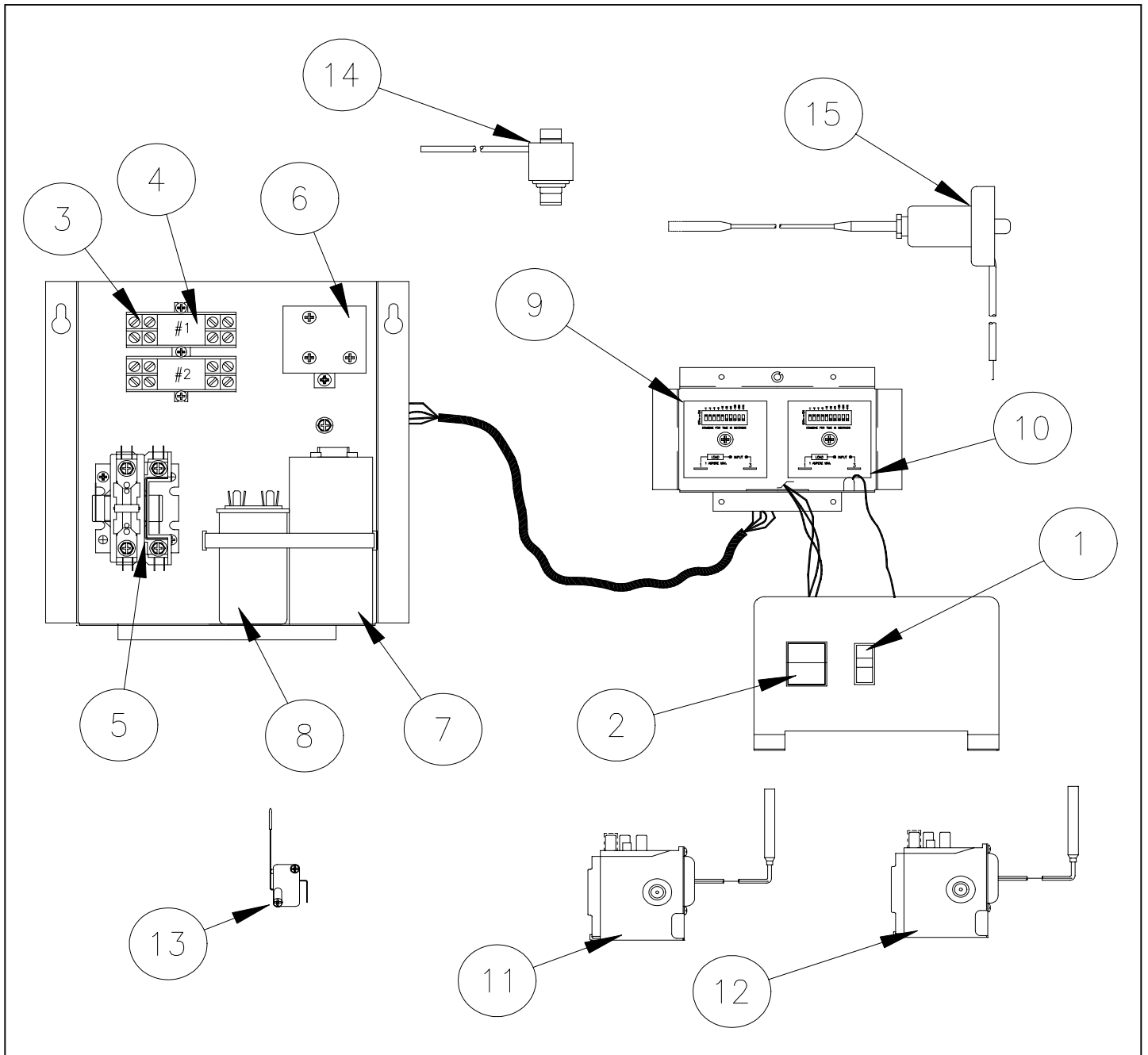
9181110-13 is NLA-No Replacement

9181108-11 is NLA-Replace by 9181143-11

| Item No. | ICE1405 | ICE1406 | ICE1407 | Description |
|----------|--------------|--------------|--------------|----------------------------------|
| | 1 | 9181094-12 | 9181108-11 | 9181111-12 |
| 2 | 9151123-04 | 9151123-04 | 9151123-04 | Hot Gas Valve Coil |
| 3 | 9151123-01 | 9151123-01 | 9151123-01 | Hot Gas Valve Body |
| 4 | 9041104-101A | 9041104-101A | 9041104-101A | Low Pressure Control |
| 5 | 9151163-02 | 9151163-02 | 9151163-02 | Filter Drier (9151004-03 is NLA) |
| 6 | 9091074-01 | 9091074-01 | 9091074-01 | Drop Adapter |
| 7 | 9091083-01 | 9091083-01 | 9091083-01 | Water Inlet Fitting |
| 8 | 9091140-01 | 9091140-01 | 9091140-01 | Purge Drain Fitting |
| 9 | 9021040-01 | 9021040-01 | 9021040-01 | Clamp-TXV Bulb |
| 10 | 9151150-101 | 9151150-101 | 9151150-101 | Expansion Valve (9151134 is NLA) |
| 11 | 6021015-06 | 6021015-06 | 6021015-06 | Purge Drain Hose |
| 12 | 6021032-01 | 6021032-01 | 6021032-01 | Tube (2.17 Ft.) |
| 13 | 9021010-14 | 9021010-14 | 9021010-14 | Clamp |
| 14 | 9041087-01 | 9041087-01 | 9041087-01 | High Temp Safety |
| 15 | 9151123-02 | 9151123-02 | 9151123-02 | Liquid Line Solenoid Body |
| 16 | 9151123-04 | 9151123-04 | 9151123-04 | Liquid Line Solenoid Coil |
| 17 | 9151110-01 | 9151110-01 | 9151110-01 | Receiver |
| 19 | 9151027-06 | 9151027-06 | 9151027-06 | Mixing Valve (240) |
| 20 | 9091001-11 | 9091001-11 | 9091001-11 | Remote Fitting 3/8" |
| 21 | 9091001-12 | 9091001-12 | 9091001-12 | Remote Fitting 1/2" |
| 22 | 3011978-01 | 3011978-01 | 3011978-01 | Rear Brace |
| 23 | 9041051-04 | 9041051-04 | 9041051-04 | High Pressure Control |
| 24 | 9041092-02 | 9041092-02 | 9041092-02 | Pump Down Control |

9181108-11 is NLA-Replace by 9181143-11

9181094-12 is NLA-Replace by 9181142-11

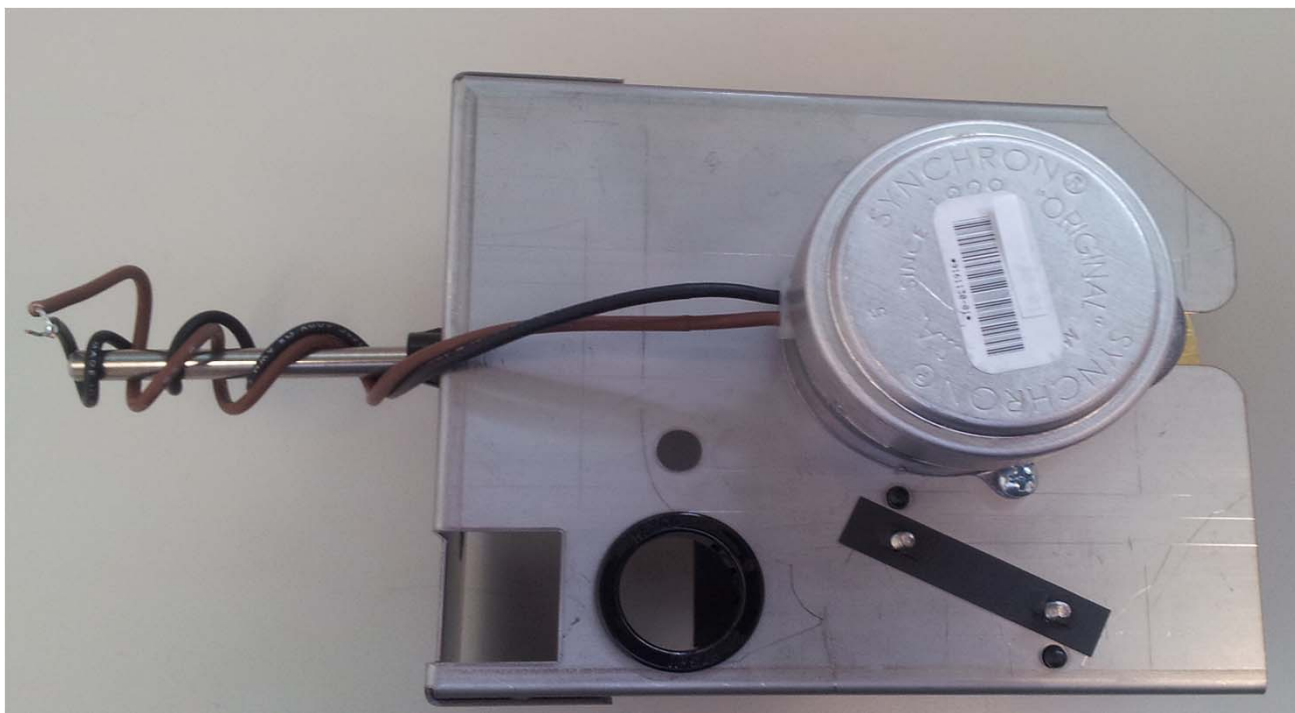


ICE Series Service Parts

Control Box

| Item No. | Model Number | | | | | Description |
|----------|--------------|--------------|--------------|--------------|--------------|------------------------------------------|
| | ICE1806 | ICE1807 | ICE2005 | ICE2106 | ICE2107 | |
| 1 | 9101139-03 | 9101139-03 | 9101139-03 | 9101139-03 | 9101139-03 | Purge Switch 1051208-01 NLA |
| 2 | 9101195-01 | 9101195-01 | 9101195-01 | 9101195-01 | 9101195-01 | ON-OFF-WASH Switch 9101349-01 NLA |
| 3 | 9101083-01 | 9101083-01 | 9101083-01 | 9101083-01 | 9101083-01 | Relay Socket |
| 4 | 9101084-02 | 9101084-02 | 9101084-02 | 9101084-02 | 9101084-02 | Relay |
| 5 | 9101002-07 | 9101002-03 | 9101002-04 | 9101002-03 | 9101002-04 | Contactator |
| 6 | See Page 20 | See Page 20 | See Page 20 | See Page 20 | See Page 20 | Compressor Start Relay |
| 7 | See Page 20 | See Page 20 | See Page 20 | See Page 20 | See Page 20 | Start Capacitor |
| 8 | See Page 20 | See Page 20 | See Page 20 | See Page 20 | See Page 20 | Run Capacitor |
| 9 | 9101148-01 | 9101148-01 | 9101148-01 | 9101148-01 | 9101148-01 | Timer |
| 10 | 9101148-01 | 9101148-01 | 9101148-01 | 9101148-01 | 9101148-01 | Timer (Set at 4 Seconds) |
| 11 | 9041104-101A | 9041104-101A | 9041104-101A | 9041104-101A | 9041104-101A | Low Pressure Control |
| 12 | 9041092-02 | 9041092-02 | 9041092-02 | 9041092-02 | 9041092-02 | Pump Down Control |
| 13 | 9101145-03 | 9101145-03 | 9101145-03 | 9101145-03 | 9101145-03 | Bin Switch |
| 14 | 9041087-01 | 9041087-01 | 9041087-01 | 9041087-01 | 9041087-01 | High Temperature Safety Control |
| 15 | 9041054-01 | 9041054-01 | 9041054-01 | 9041054-01 | 9041054-01 | High Pressure Safety Control |

| Item No. | ICE1405 | ICE1406 | ICE1407 | Description |
|----------|--------------|--------------|--------------|------------------------------------------|
| 1 | 9101139-03 | 9101139-03 | 9101139-03 | Purge Switch 1051208-01 NLA |
| 2 | 9101195-01 | 9101195-01 | 9101195-01 | ON-OFF-WASH Switch 9101349-01 NLA |
| 3 | 9101083-01 | 9101083-01 | 9101083-01 | Relay Socket |
| 4 | 9101084-02 | 9101084-02 | 9101084-02 | Relay |
| 5 | 9101002-04 | 9101002-03 | 9101002-04 | Contactator |
| 6 | See Page 20 | See Page 20 | See Page 20 | Compressor Start Relay |
| 7 | See Page 20 | See Page 20 | See Page 20 | Start Capacitor |
| 8 | See Page 20 | See Page 20 | See Page 20 | Run Capacitor |
| 9 | 9101148-01 | 9101148-01 | 9101148-01 | Timer |
| 10 | 9101148-01 | 9101148-01 | 9101148-01 | Timer (Set at 4 Seconds) |
| 11 | 9041104-101A | 9041104-101A | 9041104-101A | Low Pressure Control |
| 12 | 9041092-02 | 9041092-02 | 9041092-02 | Pump Down Control |
| 13 | 9101145-03 | 9101145-03 | 9101145-03 | Bin Switch |
| 14 | 9041087-01 | 9041087-01 | 9041087-01 | High Temperature Safety Control |
| 15 | 9041054-01 | 9041054-01 | 9041054-01 | High Pressure Safety Control |



1051210-XX Reference Page 15 for Specific Model Number and Part Number

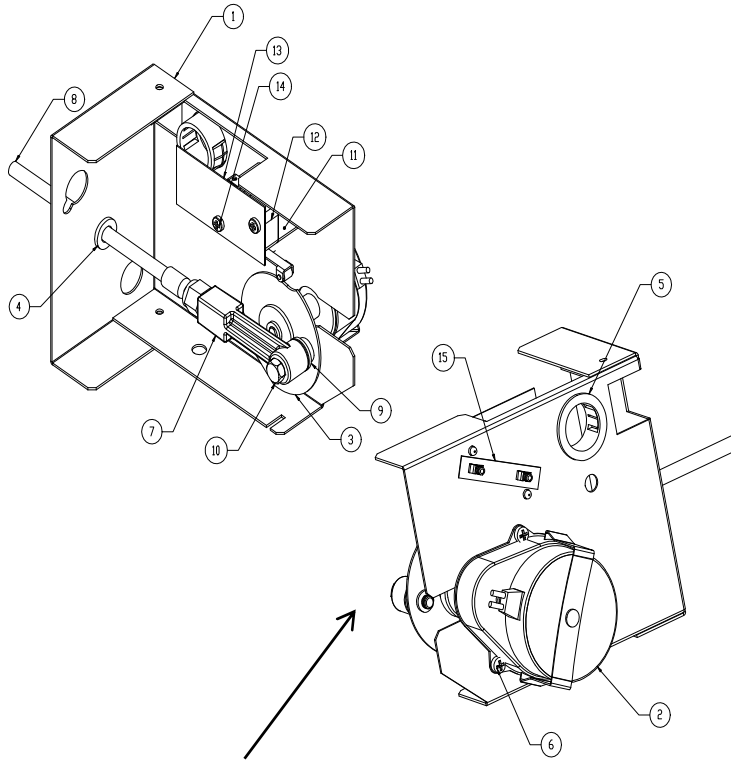
- The **1051210-XX** assembly will fit all ICE Models from October 1999 and EC Models.
- Units installed with a double cam switch, either Field installed or Factory installed will require the complete assembly and a potential wiring change as per the New Wiring Diagram included with the assembly.
- Individual component parts are not available for the **1051210-XX** assembly.
- Individual component parts are No Longer Available for previous version of the Harvest Assist Assembly
- Parts for the **2061962-XX** Harvest Assist Assembly are not compatible with **1051210-XX** Harvest Assist Assembly.
- Proper assembly and alignment of the parts is critical to proper operation, this includes cam and probe alignment.

ICE Series Service Parts

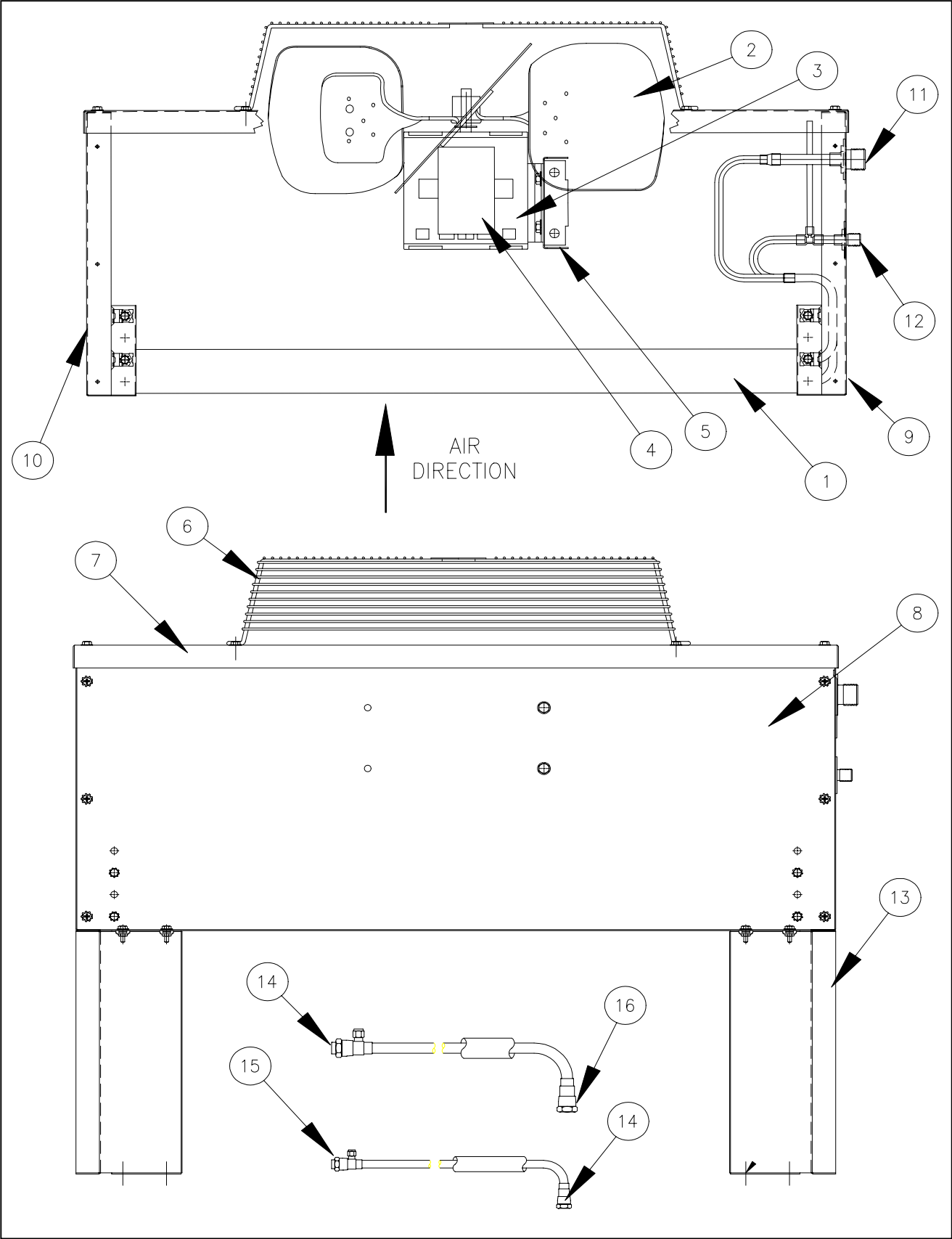
Harvest Assist Assembly

| Item No. | Model Number | | | | | Description |
|----------|--------------|-------------|-------------|-------------|-------------|---------------------|
| | ICE1806 | ICE1807 | ICE2005 | ICE2106 | ICE2107 | |
| | 1051210-03B | 1051210-03B | 1051210-03B | 1051210-03B | 1051210-03B | Complete Assembly |
| | 2061962-03S | 2061962-03S | 2061962-03S | 2061962-03S | 2061962-03S | No Longer Available |

| ICE1405 | ICE1406 | ICE1407 | Description |
|-------------|-------------|-------------|---------------------|
| 1051210-03B | 1051210-03B | 1051210-03B | Complete Assembly |
| 2061962-03S | 2061962-03S | 2061962-03S | No Longer Available |



2061962-03S No Longer Available

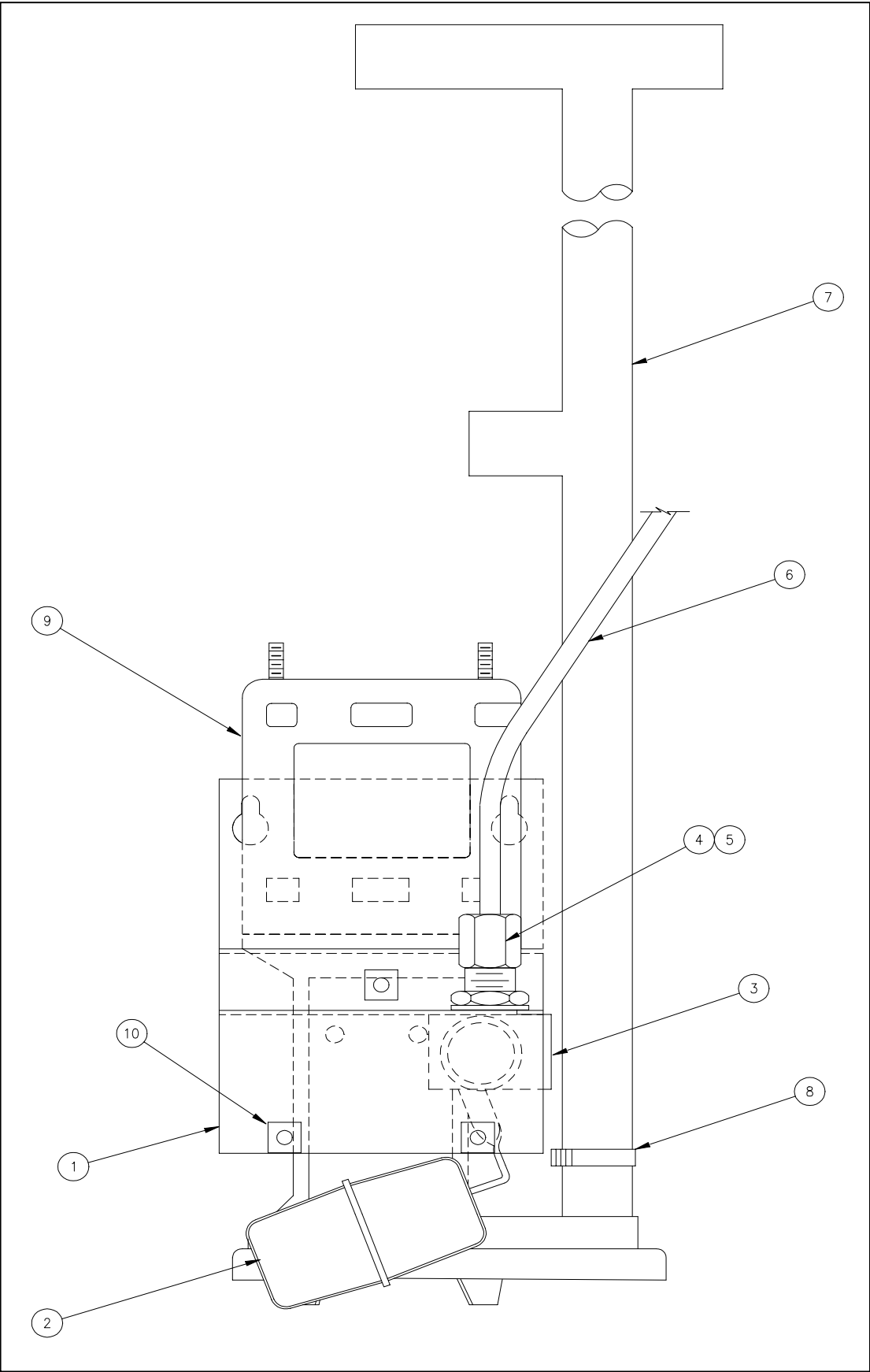


ICE Series Service Parts

Remote Condenser

| Item No. | Model Number | | ICE2106 ERC5061 | ICE2107 ERC5061 | Description |
|----------|--------------------|--------------------|--------------------|--------------------|-----------------------------------|
| | ICE1806 ERC4061 | ICE1807 ERC4061 | | | |
| 1 | 9141110-02 | 9141110-02 | 9141111-01 | 9141111-01 | Condenser |
| 2 | 9131357-01 | 9131357-01 | 9131357-01 | 9131357-01 | Fan Blade |
| 3 | 9161110-02 | 9161110-02 | 9161110-02 | 9161110-02 | Fan Motor |
| 4 | 9161110-92 | 9161110-92 | 9161110-92 | 9161110-92 | Capacitor |
| 5 | 3012802-01 | 3012802-01 | 3012802-01 | 3012802-01 | Fan Motor Brace |
| 6 | 9131356-01 | 9131356-01 | 9131356-01 | 9131356-01 | Fan Guard |
| 7 | 3012807-01 | 3012807-01 | 3012829-01 | 3012829-01 | Top Panel |
| 8 | 3012794-01 | 3012794-01 | 3012830-01 | 3012830-01 | Side Panel |
| 9 | 3012804-01 | 3012804-01 | 3012804-01 | 3012804-01 | Front Panel |
| 10 | 3012805-01 | 3012805-01 | 3012805-01 | 3012805-01 | Rear Panel |
| 11 | 9091001-07 | 9091001-07 | 9091001-07 | 9091001-07 | Coupling Half-Bulkhead-1/2" |
| 12 | 9091001-01 | 9091001-01 | 9091001-01 | 9091001-01 | Coupling Half-Bulkhead-3/8" |
| 13 | 3012795-01 | 3012795-01 | 3012795-01 | 3012795-01 | Mounting Leg |
| 14 | 9091001-10 | 9091001-10 | 9091001-10 | 9091001-10 | Lineset Fitting with Port 1/2" |
| 15 | 9091001-04 | 9091001-04 | 9091001-04 | 9091001-04 | Lineset Fitting with Port 3/8" |
| 16 | 9091001-08 | 9091001-08 | 9091001-08 | 9091001-08 | Lineset Fitting without Port 1/2" |
| 17 | 9091001-02 | 9091001-02 | 9091001-02 | 9091001-02 | Lineset Fitting without Port 3/8" |

| ICE1405 ERC2661 | ICE1406 ERC2661 | ICE1407 ERC2661 | Description |
|--------------------|--------------------|--------------------|-----------------------------------|
| 9141109-01 | 9141109-01 | 9141109-01 | Condenser |
| 9131357-01 | 9131357-01 | 9131357-01 | Fan Blade |
| 9161110-02 | 9161110-02 | 9161110-02 | Fan Motor |
| 9161110-92 | 9161110-92 | 9161110-92 | Capacitor |
| 3012802-01 | 3012802-01 | 3012802-01 | Fan Motor Brace |
| 9131356-01 | 9131356-01 | 9131356-01 | Fan Guard |
| 3012806-01 | 3012806-01 | 3012806-01 | Top Panel |
| 3012793-01 | 3012793-01 | 3012793-01 | Side Panel |
| 3012804-01 | 3012804-01 | 3012804-01 | Front Panel |
| 3012805-01 | 3012805-01 | 3012805-01 | Rear Panel |
| 9091001-07 | 9091001-07 | 9091001-07 | Coupling Half-Bulkhead-1/2" |
| 9091001-01 | 9091001-01 | 9091001-01 | Coupling Half-Bulkhead-3/8" |
| 3012795-01 | 3012795-01 | 3012795-01 | Mounting Leg |
| 9091001-10 | 9091001-10 | 9091001-10 | Lineset Fitting with Port 1/2" |
| 9091001-04 | 9091001-04 | 9091001-04 | Lineset Fitting with Port 3/8" |
| 9091001-08 | 9091001-08 | 9091001-08 | Lineset Fitting without Port 1/2" |
| 9091001-02 | 9091001-02 | 9091001-02 | Lineset Fitting without Port 3/8" |



ICE Series Service Parts

Water Pump and Float

| Item No. | Model Number | | | | | Description |
|----------|--------------|-------------|-------------|-------------|-------------|-------------------------------|
| | ICE1806 | ICE1807 | ICE2005 | ICE2106 | ICE2107 | |
| 1 | 3012877-01 | 3012877-01 | 3012877-01 | 3012877-01 | 3012877-01 | Pump Bracket |
| 2 | 9131111-101 | 9131111-101 | 9131111-101 | 9131111-101 | 9131111-101 | Float Assembly |
| 3 | 9131026-02 | 9131026-02 | 9131026-02 | 9131026-02 | 9131026-02 | Cap Plug |
| 4 | 9091081-01 | 9091081-01 | 9091081-01 | 9091081-01 | 9091081-01 | Sleeve |
| 5 | 9091080-01 | 9091080-01 | 9091080-01 | 9091080-01 | 9091080-01 | Barrel Fitting |
| 6 | 6021032-01 | 6021032-01 | 6021032-01 | 6021032-01 | 6021032-01 | Tube- Polyethylene (3.59 Ft.) |
| 7 | 9051471-02 | 9051471-02 | 9051471-02 | 9051471-02 | 9051471-02 | Water Pump Tube |
| 8 | 9021010-04 | 9021010-04 | 9021010-04 | 9021010-04 | 9021010-04 | Hose Clamp |
| 9 | 9161079-02 | 9161079-02 | 9161079-02 | 9161079-02 | 9161079-02 | Water Pump |
| 10 | 9031141-01 | 9031141-01 | 9031141-01 | 9031141-01 | 9031141-01 | Plastic Nut #10 |

| Item No. | ICE1405 | ICE1406 | ICE1407 | Description |
|----------|-------------|-------------|-------------|-------------------------------|
| 1 | 3012877-01 | 3012877-01 | 3012877-01 | Pump Bracket |
| 2 | 9131111-101 | 9131111-101 | 9131111-101 | Float Assembly |
| 3 | 9131026-02 | 9131026-02 | 9131026-02 | Cap Plug |
| 4 | 9091081-01 | 9091081-01 | 9091081-01 | Sleeve |
| 5 | 9091080-01 | 9091080-01 | 9091080-01 | Barrel Fitting |
| 6 | 6021032-01 | 6021032-01 | 6021032-01 | Tube- Polyethylene (3.59 Ft.) |
| 7 | 9051471-01 | 9051471-01 | 9051471-01 | Water Pump Tube |
| 8 | 9021010-04 | 9021010-04 | 9021010-04 | Hose Clamp |
| 9 | 9161079-02 | 9161079-02 | 9161079-02 | Water Pump |
| 10 | 9031141-01 | 9031141-01 | 9031141-01 | Plastic Nut #10 |

Compressor Components
RED=NO LONGER AVAILABLE
 Model Number

| | | | |
|---------|---------|-------------------|-----------------|
| ICE1406 | ICE1806 | 9181108-11 | Compressor |
| | | 9181003-21 | Start Capacitor |
| | | 9181009-20 | Run Capacitor |
| | | 9181010-10 | Relay |
| ICE1406 | ICE1806 | 9181143-11 | Compressor |
| | | 9181003-21 | Start Capacitor |
| | | 9181009-20 | Run Capacitor |
| | | 9181010-10 | Relay |

| | | |
|---------|-------------------|-----------------|
| ICE1405 | 9181094-12 | Compressor |
| | 9181003-34 | Start Capacitor |
| | 9181009-20 | Run Capacitor |
| | 9181010-04 | Relay |
| ICE1405 | 9181142-11 | Compressor |
| | 9181003-19 | Start Capacitor |
| | 9181009-12 | Run Capacitor |
| | 9181010-10 | Relay |

| | | |
|---------|-------------------|-----------------|
| ICE1407 | 9181111-12 | Compressor |
| | N/A | Start Capacitor |
| | N/A | Run Capacitor |
| | N/A | Relay |

| | | |
|---------|-------------------|-----------------|
| ICE1807 | 9181108-12 | Compressor |
| | N/A | Start Capacitor |
| | N/A | Run Capacitor |
| | N/A | Relay |

| | | |
|---------|-------------------|-----------------|
| ICE2106 | 9181123-11 | Compressor |
| | 9181003-21 | Start Capacitor |
| | 9181009-21 | Run Capacitor |
| | 9181010-11 | Relay |

| | | | |
|-------------------------------------------|----------------|-------------------|-----------------|
| No Longer Available-No Replacement | ICE2005 | 9181110-13 | Compressor |
| | | 9181003-30 | Start Capacitor |
| | | 9181009-20 | Run Capacitor |
| | | 9181010-11 | Relay |

| | | |
|---------|-------------------|-----------------|
| ICE2107 | 9181123-12 | Compressor |
| | N/A | Start Capacitor |
| | N/A | Run Capacitor |
| | N/A | Relay |