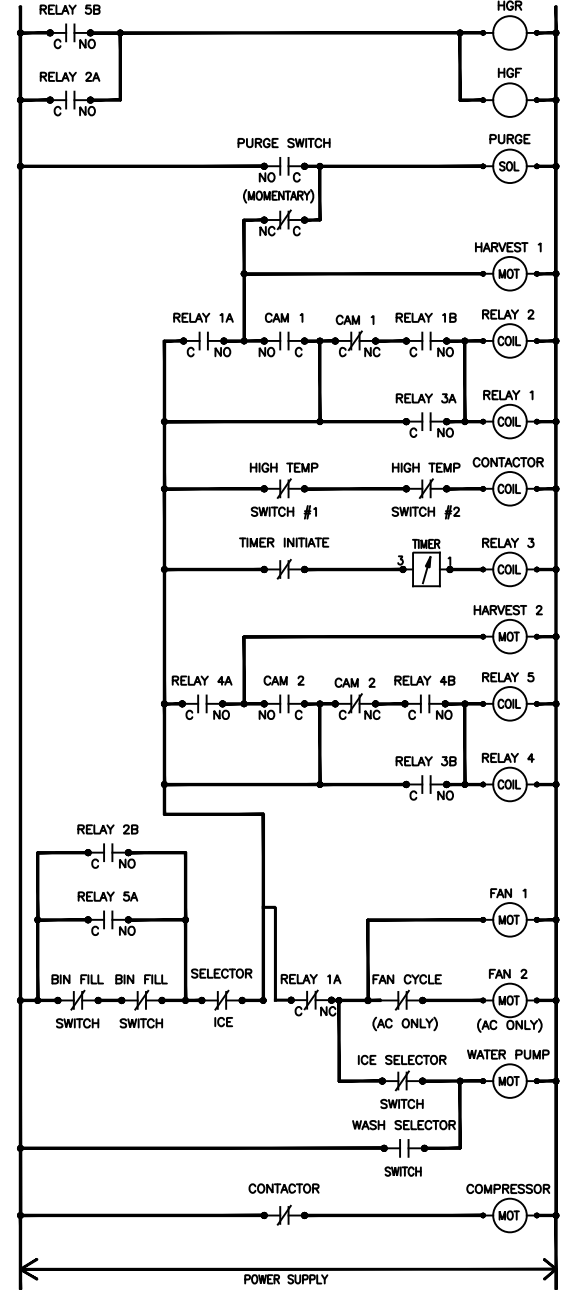


**WIRING SCHEMATIC**  
**AIR**  
 (SHOWN IN TIMED PORTION FREEZE CYCLE)



**CAUTION**  
 THIS UNIT MUST BE GROUNDING

FUSE REQUIRED ON BOTH SIDES OF POWER SUPPLY FOR 200~240 VOLT UNITS

SEE NAMEPLATE FOR PROPER FUSE OR HACR TYPE BREAKER SIZE AND VOLTAGE REQUIREMENTS.

POWER SUPPLY