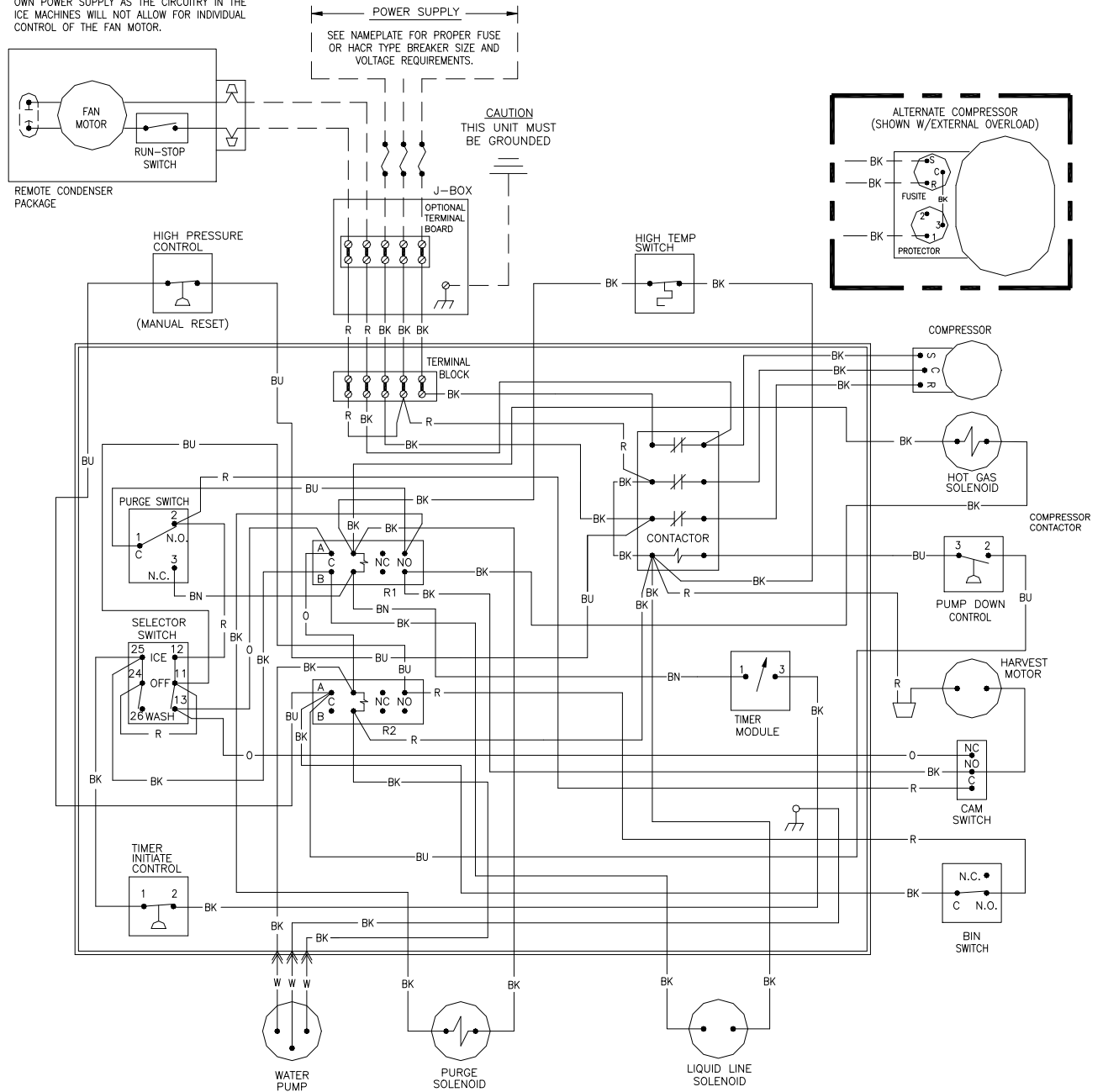


ICE1007 Remote Wiring Diagram

NOTE: WHEN USING DUAL CIRCUITED REMOTE CONDENSER, THE REMOTE FAN MOTOR MUST BE WIRED TO ITS OWN POWER SUPPLY AS THE CIRCUITRY IN THE ICE MACHINES WILL NOT ALLOW FOR INDIVIDUAL CONTROL OF THE FAN MOTOR.



ICE1007 Remote Wiring Schematic

WIRING SCHEMATIC
(SHOWN IN TIMED PORTION FREEZE CYCLE)

