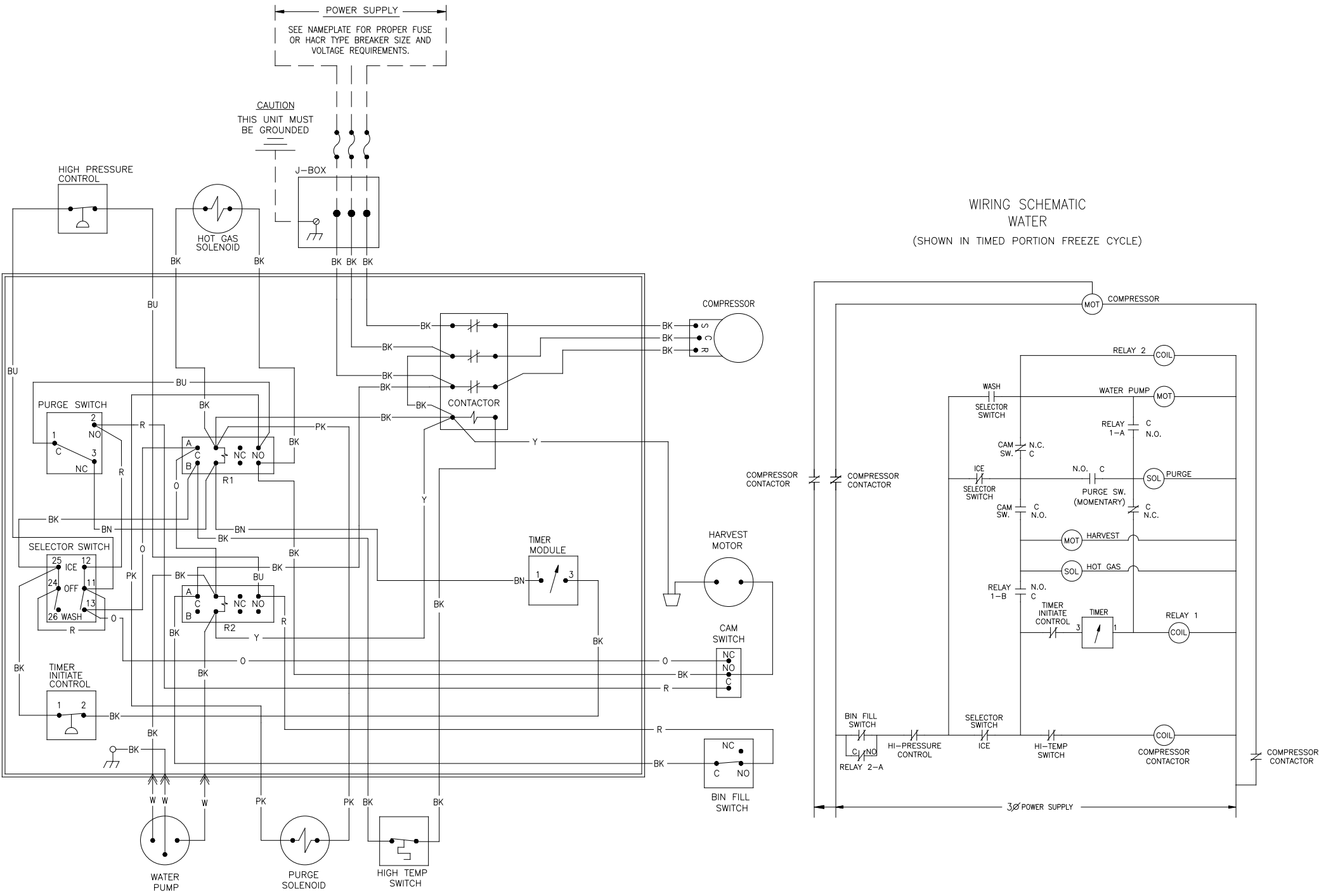


POWER SUPPLY  
SEE NAMEPLATE FOR PROPER FUSE OR HACR TYPE BREAKER SIZE AND VOLTAGE REQUIREMENTS.

CAUTION  
THIS UNIT MUST BE GROUNDED



WIRING SCHEMATIC  
WATER  
(SHOWN IN TIMED PORTION FREEZE CYCLE)

