



SERVICE PARTS MANUAL
22 INCH WIDE ICE SERIES CUBERS
MODEL-ICE0320A4-A5/T/W4-W5
MODEL- ICE0520A4-A5-A6/T/W4-W5

Includes 50Hz. Units



14-1022-A

Date 5/02/17

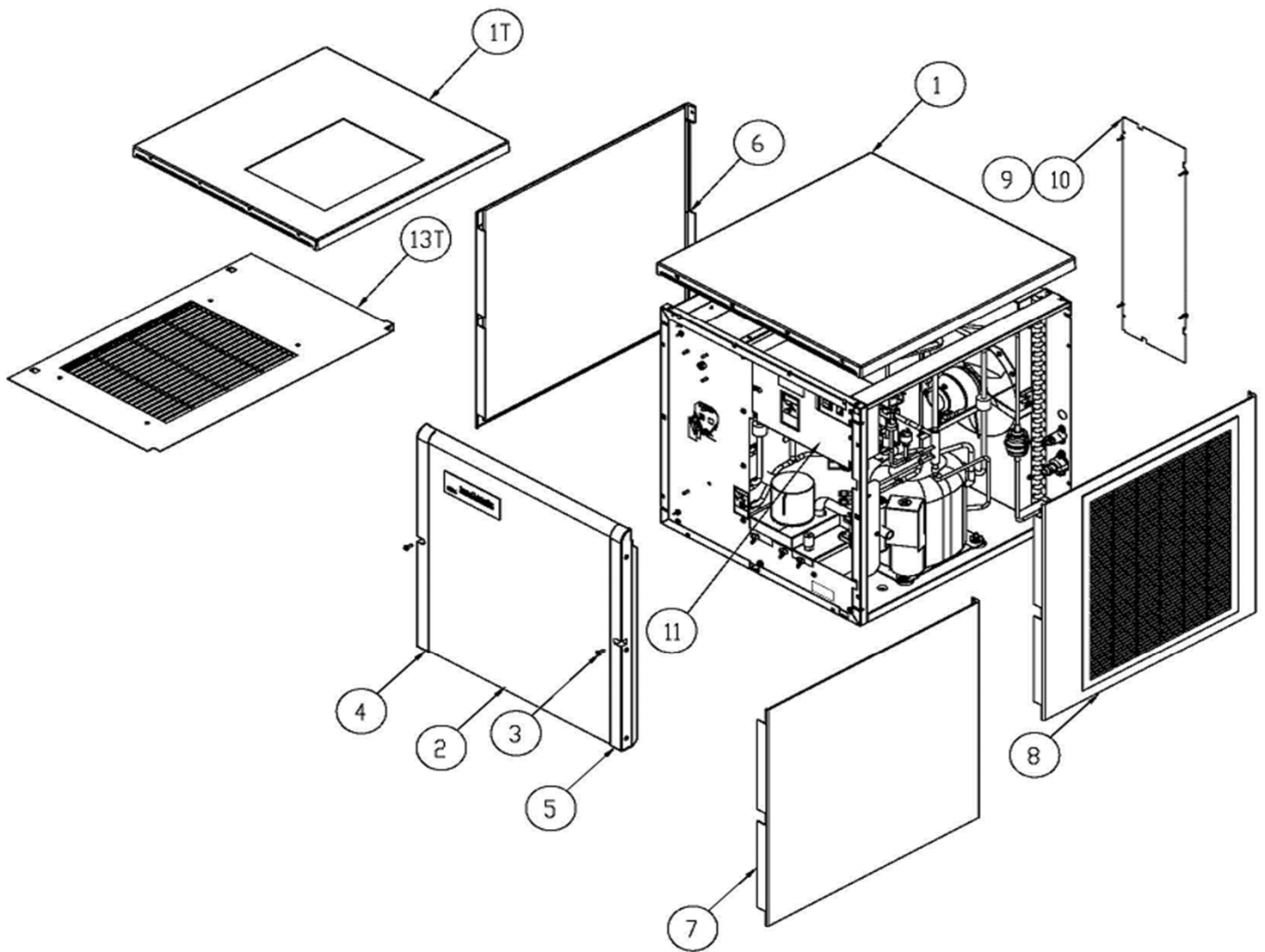
This parts list contains the service parts available for the following icemakers:

- ICE0320*A4-A5
- ICE0320*W4-W5
- ICE0325*A4-A5
- ICE0520*A4-A5-A6
- ICE0520*W4-5
- ICE0525*A4-A5
- ICE0320*T
- ICE0325*T
- ICE0520*T
- ICE0525*T

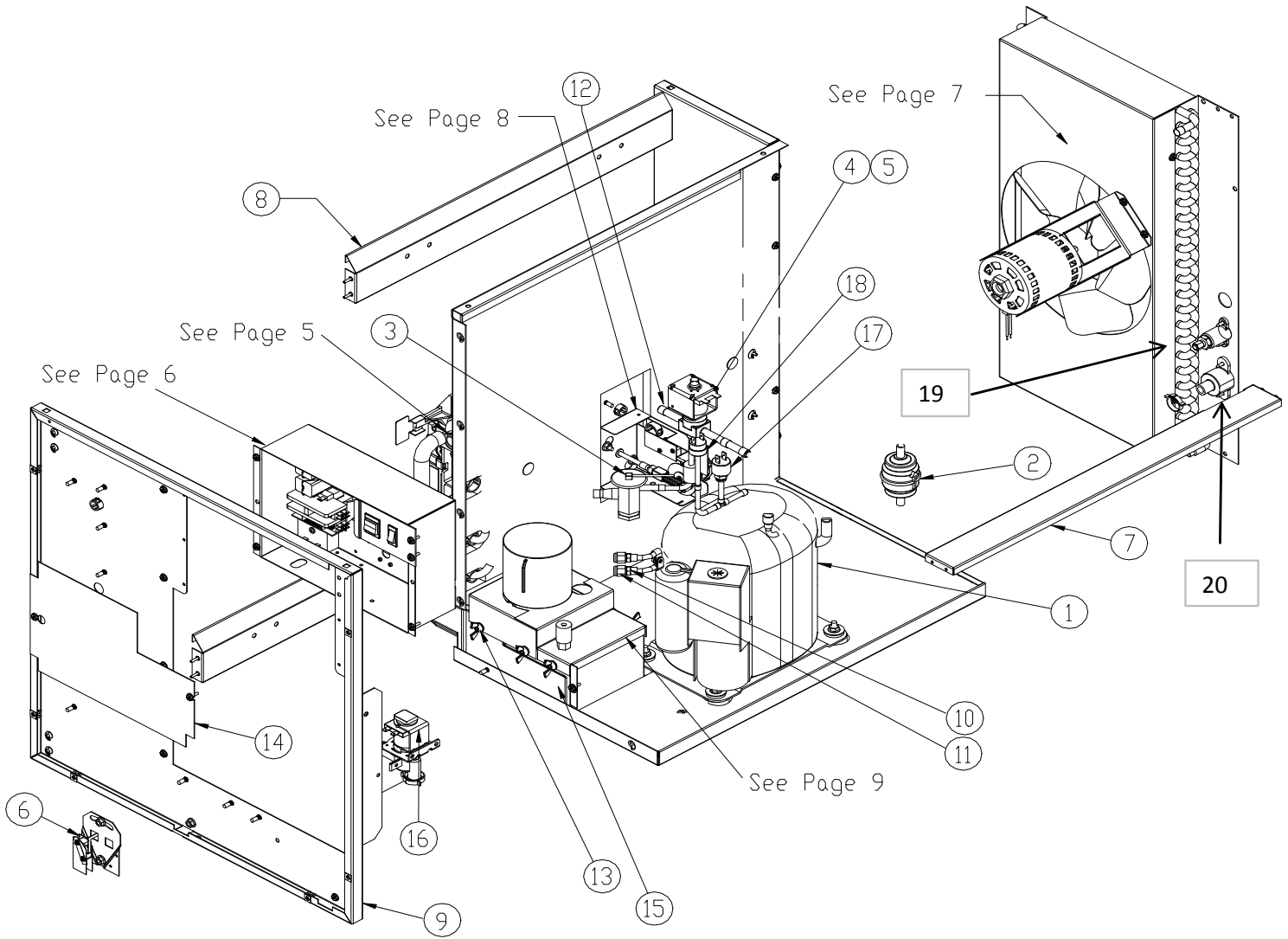
Check the model number on the data plate and refer to the correct listing for the specific component.

Check carefully that the correct part is identified and ordered.

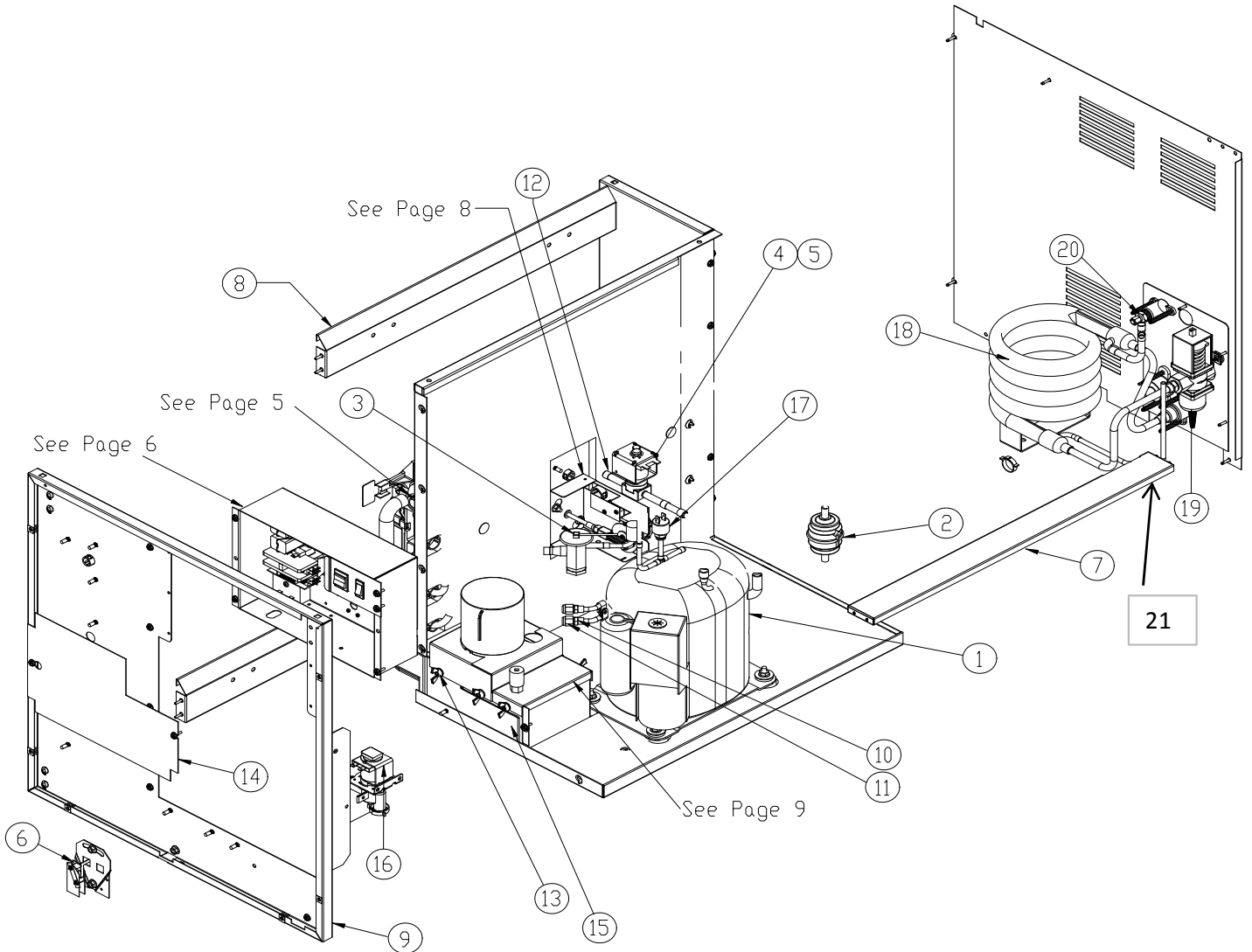
Table of Contents	Page 1
Cabinet Exterior	Page 2
ICE0320/ICE0520 Air Cooled	Page 3
ICE0320/ICE0520 Water Cooled	Page 4
Evaporator	Page 5
Control Box	Page 6
Fan Assemblies	Page 7
Harvest Assist Components	Page 8
Water Pump/Float	Page 9



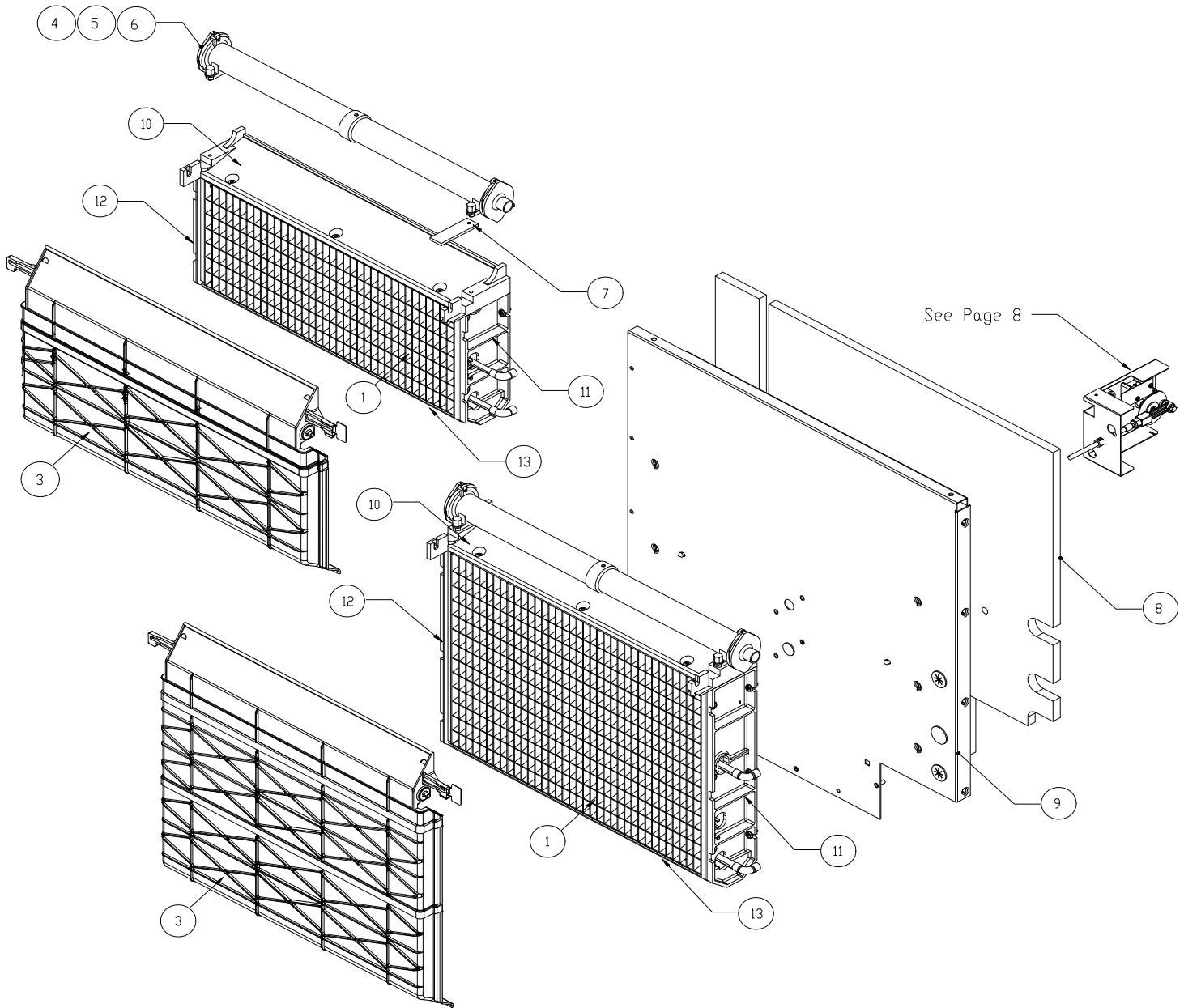
Item	Model Number				Description
No.	ICE0320	ICE0325	ICE0520	ICE0525	
1	2101431-01S	2101431-01S	2101431-01S	2101431-01S	Top Panel
2	2031511-04S	2031511-04S	2031511-04S	2031511-04S	Front Panel
3	9031098-04	9031098-04	9031098-04	9031098-04	Front Panel Screw
4	9051562-06	9051562-06	9051562-06	9051562-06	Front Panel End Cap Left Side
5	9051562-05	9051562-05	9051562-05	9051562-05	Front Panel End Cap Right Side
6	2101483-05S	2101483-05S	2101483-05S	2101483-05S	Left Side Panel (Metal)
7	3021967-02	N/A	3021967-02	N/A	Right Side Panel (Non-Louvered, Water Cooled)(Metal)
8	2101483-03S	2101483-03S	2101483-03S	2101483-03S	Right Side Panel (Louvered, Air Cooled)(Metal)
9	3021942-01	3021942-01	3021942-01	3021942-01	Rear Panel (Air Cooled)
9	3021943-01	3021943-01	3021943-01	3021943-01	Rear Panel (Water Cooled)
10	9031046-01	9031046-01	9031046-01	9031046-01	Rear Panel Screws
11	3012974-01	3012974-01	3012974-01	3012974-01	Control Box Cover
12	N/A	3013107-01	N/A	3013107-01	Access Panel (50 hz. Only, Not Shown)
6	2101436-01	2101436-01	2101436-01	2101436-01	Plastic Left Hand Side Panel (NLA)
7	9051565-06	N/A	9051565-06	N/A	Plastic Right Hand Side Panel-Non Louvered (NLA)
8	2101428-03	2101428-03	2101428-03	2101428-03	Right Hand Side Panel-Louvered (NLA)
	ICE0320T	ICE0325T	ICE0520T	ICE0525T	Description (Top Air Discharge)
1T	2101431-02	2101431-02	2101431-02	2101431-02	Top Panel Assembly
13T	2021730-01	2021730-01	2021730-01	2021730-01	Top Cover (Inner Panel and Grate)
6-7	3021967-02	3021967-02	3021967-02	3021967-02	Side Panel, Left or Right



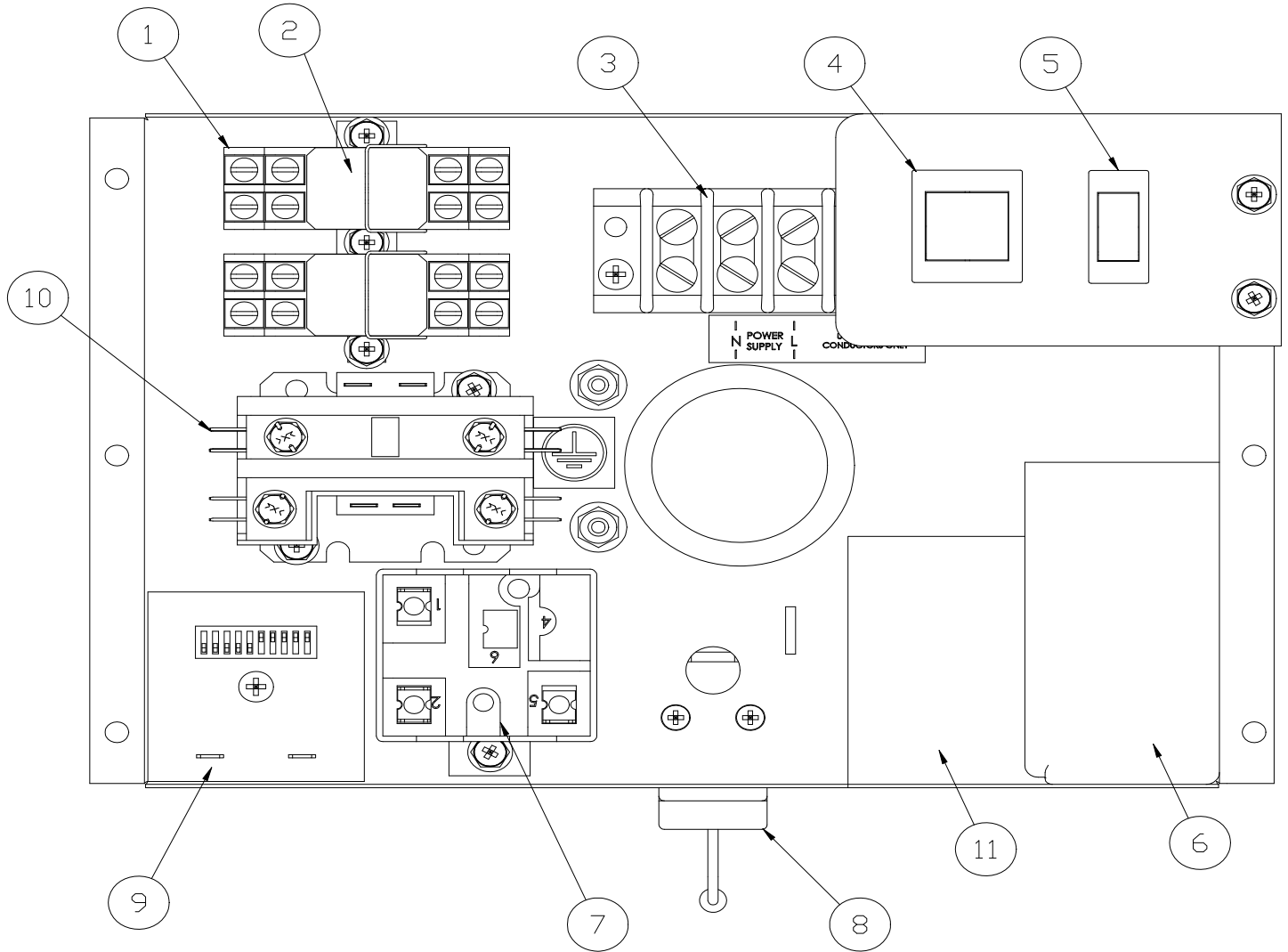
Item No.	Model Number				Description
	ICE0320	ICE0325	ICE0520	ICE0525	
1	9181121-11	9181122-11	9181121-11	9181127-11	Compressor Kit-- See page 6 for Compressor Components
2	9151163-01	9151163-01	9151163-01	9151163-01	Filter Drier (Replaces 9151004-02)
3	9151154-101	9151154-101	9151149-101	9151149-101	Expansion Valve
4	9151123-01	9151123-01	9151123-01	9151123-01	Hot Gas Valve Body
5	9151123-03	9151123-04	9151123-03	9151123-04	Hot Gas Valve Coil
6	9101124-02	9101124-02	9101124-02	9101124-02	Bin Switch
7	2021684-01	2021684-01	2021684-01	2021684-01	Side Brace
8	3013355-01	3013355-01	3013355-01	3013355-01	Ice Deflector
9	2021690-01	2021690-01	2021690-01	2021690-01	Front Frame Panel
10	9091086-03	9091086-03	9091086-03	9091086-03	Service Valve Cap
11	9091086-02	9091086-02	9091086-02	9091086-02	Service Valve Core
11A	9091086-01	9091086-01	9091086-01	9091086-01	Service Valve Body
12	9041098-01	9041098-01	9041098-01	9041098-01	High Temperature Safety Control
13	9031161-01	9031161-01	9031161-01	9031161-01	Nylon Wing Nut
14	3012974-01	3012974-01	3012974-01	3012974-01	Control Box Cover
15	9051478-01	9051478-01	9051478-01	9051478-01	Water Pan
16	9041105-04	9041105-05	9041105-04	9041105-05	Purge Valve (Replaces 9041086)
17	9041091-01	9041091-01	9041091-01	9041091-01	High Pressure Control
18	9041106-01	9041106-01	9041106-01	9041106-01	Fan Cycle Control (9041096-01 is NLA)
19	9091074-01	N/A	9091074-01	N/A	Drop Adapter
20	9091140-01	N/A	9091140-01	N/A	Purge Drain



Item No.	Model Number				Description
	ICE0320	ICE0325	ICE0520	ICE0525	
1	9181121-11	N/A	9181121-11	N/A	Compressor Kit-- See page 6 for Compressor Components
2	9151163-01	N/A	9151163-01	N/A	Filter Drier (Replaces 9151004-02)
3	9151154-101	N/A	9151149-101	N/A	Expansion Valve
4	9151123-01	N/A	9151123-01	N/A	Hot Gas Valve Body
5	9151123-03	N/A	9151123-03	N/A	Hot Gas Valve Coil
6	9101124-02	N/A	9101124-02	N/A	Bin Switch
7	2021684-01	N/A	2021684-01	N/A	Side Brace
8	3013355-01	N/A	3013355-01	N/A	Ice Deflector
9	2021690-01	N/A	2021690-01	N/A	Front Frame Panel
10	9091086-03	N/A	9091086-03	N/A	Service Valve Cap
11	9091086-02	N/A	9091086-02	N/A	Service Valve Core
11A	9091086-01	N/A	9091086-01	N/A	Service Valve Body
12	9041098-01	N/A	9041098-01	N/A	High Temperature Safety Control
13	9031161-01	N/A	9031161-01	N/A	Nylon Wing Nut
14	3012974-01	N/A	3012974-01	N/A	Control Box Cover
15	9051478-01	N/A	9051478-01	N/A	Water Pan
16	9041105-04	N/A	9041105-04	N/A	Purge Valve (Replaces 9041086)
17	9041091-01	N/A	9041091-01	N/A	High Pressure Control
18	9141121-01	N/A	9141121-01	N/A	Water Cooled Condenser
19	9041059-01	N/A	9041059-01	N/A	Water Regulating Valve
20	9091074-01	N/A	9091074-01	N/A	Drop Adapter
21	9091140-01	N/A	9091140-01	N/A	Purge Drain



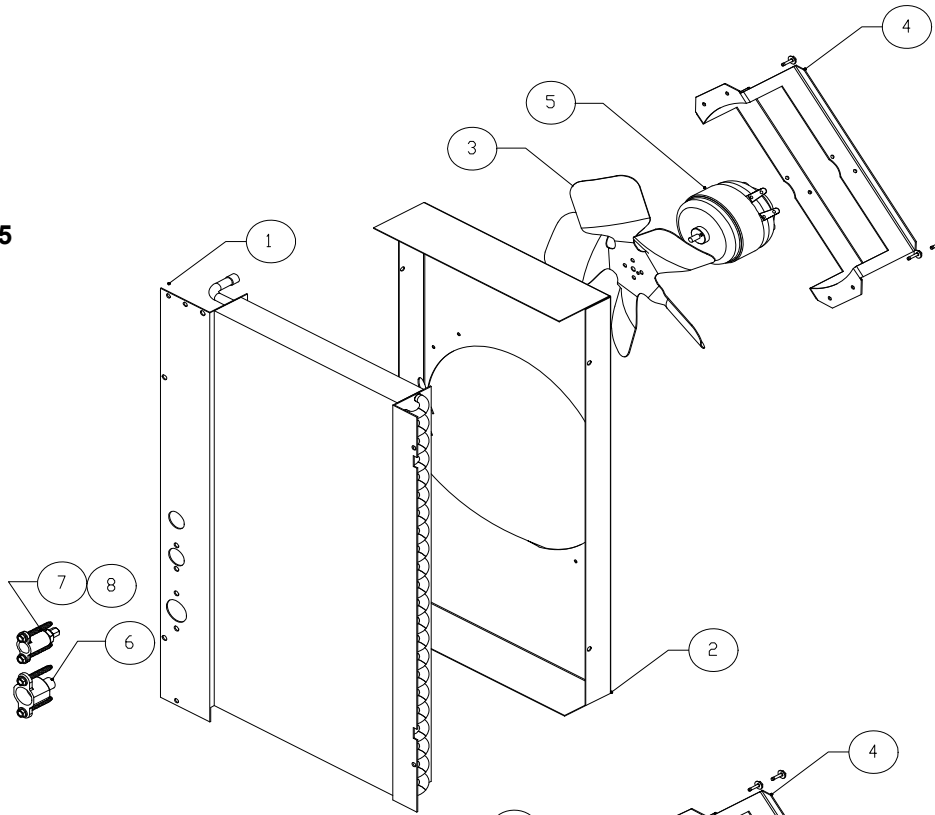
Item No.	Model Number				Description
	ICE0320	ICE0325	ICE0520	ICE0525	
1	2051222-01S	2051222-01S	2051232-81A	2051232-81A	Evaporator-Full Cube (Includes Elbows)
	9091016-03	9091016-03	9091003-02	9091003-02	Copper Elbow- 2 Required (Not Shown)
1	2051222-02S	2051222-02S	2051232-82A	2051232-82A	Evaporator-Half Cube (Includes Elbows)
	9091016-03	9091016-03	9091003-02	9091003-02	Copper Elbow- 2 Required (Not Shown)
3	2101387-01S	2101387-01S	2101355-04S	2101355-04S	Curtain
4	2041338-02	2041338-02	2041338-02	2041338-02	Water Distribution Tube
5	9031122-01	9031122-01	9031122-01	9031122-01	Thumb Screw
6	9031004-19	9031004-19	9031004-19	9031004-19	Washer
7	3012747-01	3012747-01	N/A	N/A	Curtain Stopper Clip
8	9131413-01	9131413-01	9131413-01	9131413-01	Insulation
9	2021651-01	2021651-01	2021651-01	2021651-01	Divider Panel
10	9051135-05	9051135-05	9051135-05	9051135-05	Evaporator Spillway
11	9051136-08	9051136-08	9051136-06	9051136-06	Evaporator Right Side Mounting Panel
12	9051136-07	9051136-07	9161136-05	9161136-05	Evaporator Left Side Mounting Panel
13	9051135-04	9051135-04	9051135-04	9051135-04	Evaporator Water Return



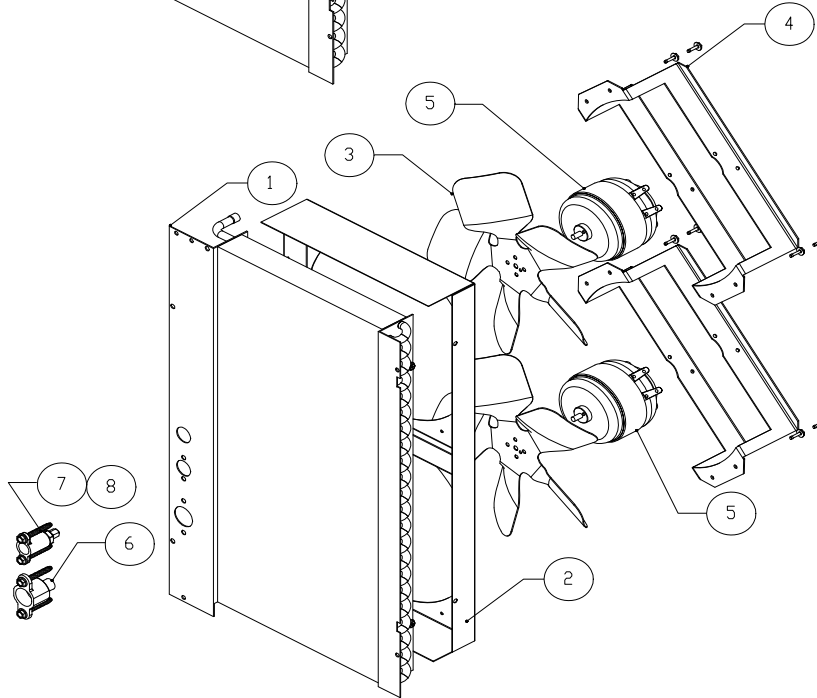
Item No.	Model Number				Description
	ICE0320	ICE0325	ICE0520	ICE0525	
1	9101083-01	9101083-01	9101083-01	9101083-01	Relay Socket
2	9101084-01	9101084-02	9101084-01	9101084-02	Relay
3	9101037-01	9101037-01	9101037-01	9101037-01	Terminal Board
4	9101195-01	9101195-01	9101195-01	9101195-01	On-Off Wash Switch (9101349-01 is NLA)
5	9101139-03	9101139-03	9101139-03	9101139-03	Purge Switch (9101139-03 is NLA)
6	9181003-39	9181003-40	9181003-39	9181003-45	Start Capacitor (Reference Below)
7	9181004-27	9181010-26	9181004-27	9181010-30	Compressor Relay
8	9041104-101A	9041104-101A	9041104-101A	9041104-101A	Low Pressure Control (9041094 is NLA)
9	9101148-01	9101148-01	9101148-01	9101148-01	Timer
10	9101002-07	9101002-06	9101002-07	9101002-06	Contactor
11	N/A	9181009-08	N/A	9181009-08	Run Capacitor (Reference Below)
12	9041098-01	9041098-01	9041098-01	9041098-01	High Temp Safety (Not Shown) On Hot Gas Valve
13	9101218-11	9101218-11	9101218-11	9101218-11	Water Pump Cord (Not Shown)

Specific Compressor Components				
ICE0320	ICE0325	ICE0520	ICE0525	
9181121-11	9181122-11	9181121-11	9181127-11	Compressor
9181003-39	9181003-40	9181003-39	9181003-45	Start Capacitor
N/A	9181009-08	N/A	9181009-08	Run Capacitor
9181004-27	9181010-26	9181004-27	9181010-30	Relay
9181005-37	9181005-39	9181005-37	9181005-44	Overload

ICE0320/0325



ICE0520/0525



Item No.	Model Number				Description
	ICE0320	ICE0325	ICE0520	ICE0525	
1	9141118-01	9141118-01	9141118-01	9141118-01	Air Condenser
2	3013111-01	3013111-01	2021613-01	2021613-01	Fan Shroud
3	9131384-08	9131384-04	9131384-04	9131384-04	Fan Blade
4	3013252-01	3013252-01	3013252-01	3013252-01	Fan Motor Bracket
5	9161078-01	9161078-02	9161112-01	9161078-02	Fan Motor (9161078-01 / 9161078-02 are NLA)
5	9161124-01	9161124-02		9161124-02	Fan Motor (Replaces 9161078-01 / 9161078-02)
6	9091140-01	9091140-01	9091140-01	9091140-01	Drain Fitting
7	9091074-01	9091074-01	9091074-01	9091074-01	Drop Adapter
8	9091083-01	9091083-01	9091083-01	9091083-01	Water Inlet Fitting

Reference the Model Numbers below for the specific Harvest Assist Assembly

Item No.	Model Number				Description
	ICE0320	ICE0325	ICE0520A	ICE0525	
	1051210-01A	1051210-02A	1051210-01	1051210-02A	Complete Assembly
	2061962-01S	2061962-02S	2061962-01S	2061962-02S	No Longer Available



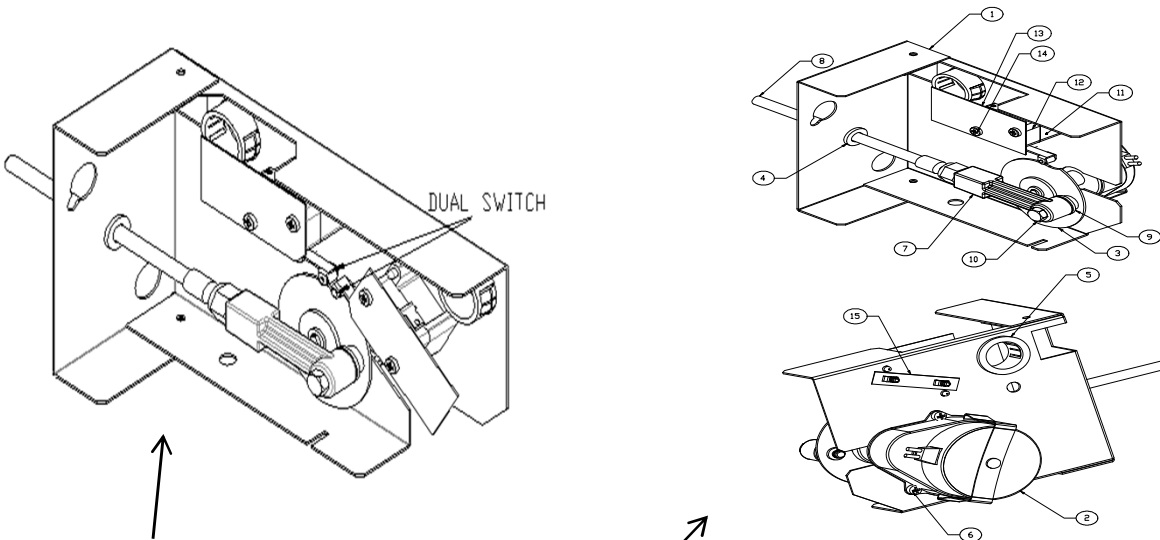
1051210-XX Reference above for Specific Model Number and Part Number

- The **1051210-XX** assembly will fit all ICE Models from October 1999 and EC Models.
- Units installed with a double cam switch, either Field installed or Factory installed will require the complete assembly and a potential wiring change as per the New Wiring Diagram included with the assembly.
- Individual component parts are not available for the **1051210-XX** assembly.
- Individual component parts are No Longer Available for previous version of the Harvest Assist Assembly
- Parts for the **2061962-XX** Harvest Assist Assembly are not compatible with **1051210-XX** Harvest Assist Assembly.
- Proper assembly and alignment of the parts is critical to proper operation, this includes cam and probe alignment.
- If a **1051210-XX** assembly fails, it must be returned to Ice-O-Matic.

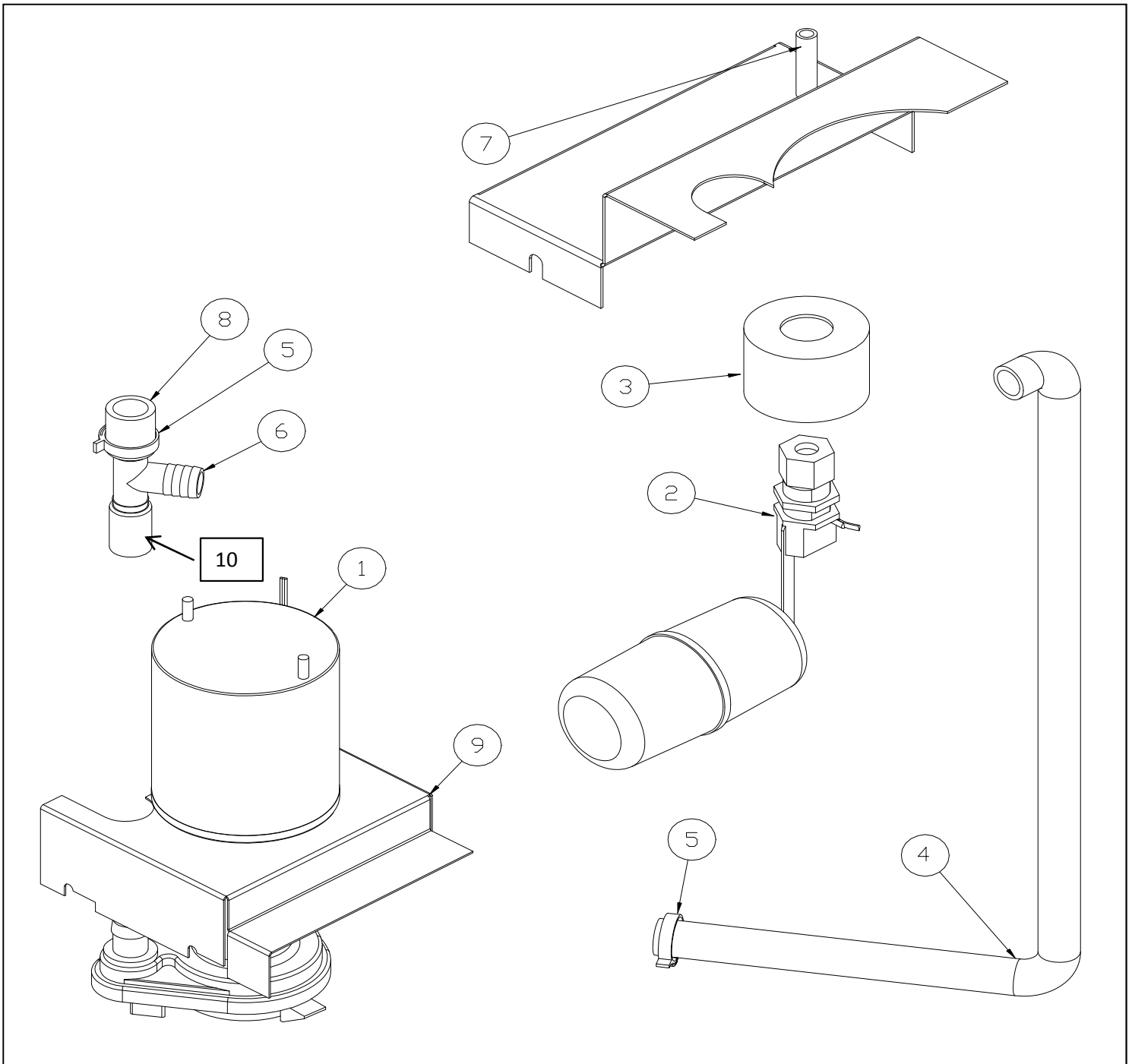
1051210-XX are only supplied as complete assemblies, individual components are not available.

Please reference the above Model Numbers to insure the correct assembly is supplied

THE DUAL CAM SWITCH HARVEST ASSIST ASSEMBLIES ARE NO LONGER AVAILABLE



1051199-01	No Longer Available		
1051200-01	No Longer Available	2061962-01S	No Longer Available
1051201-01	No Longer Available	2061962-02S	No Longer Available
1051202-01	No Longer Available		
1051207-01	No Longer Available		



Item No.	Model Number				Description
	ICE0320	ICE0325	ICE0520	ICE0525	
1	9161076-01	9161076-02	9161076-01	9161076-02	Water Pump
2	9131111-101	9131111-101	9131111-101	9131111-101	Float Assembly Includes Fittings, Replaces 9131111-01
3	9131026-02	9131026-02	9131026-02	9131026-02	Float Splash Shield
4	9051506-02	9051506-02	9051506-01	9051506-01	Water Pump Tube, Pump to Water Distribution Tube
5	9021010-04	9021010-04	9021010-04	9021010-04	Plastic Clamp
6	9091024-01	9091024-01	9091024-01	9091024-01	Barbed Tee
7	3032898-24	3032898-24	3032898-24	3032898-24	Water Inlet Tube, 1/4 Inch x 24 Inch
8	9051541-01	9051541-01	9051541-01	9051541-01	Pump to Purge Valve Tube
9	3013076-01	3013076-01	3013076-01	3013076-01	Water Pump Bracket
10	3051223-02	3051223-02	3051223-02	3051223-02	Water Pump to T Tube
11	3051222-24	3051222-24	3051222-24	3051222-24	Purge Valve to Drain Fitting, (Not Shown)