

# **Ice-O-Matic®**



Ice. Pure and Simple™

**SERVICE PARTS MANUAL**  
**22 INCH WIDE ICE SERIES CUBERS**  
**MODEL-ICE0320A3/W3 and ICE0520A3/W3**  
Includes 50Hz. Units



14-1022

Date 1/18/17



## **ICE0320/0520 Service Parts**

This parts list contains the service parts available for the ICE0320A3/W3 and ICE0520A3/W3 icemakers.

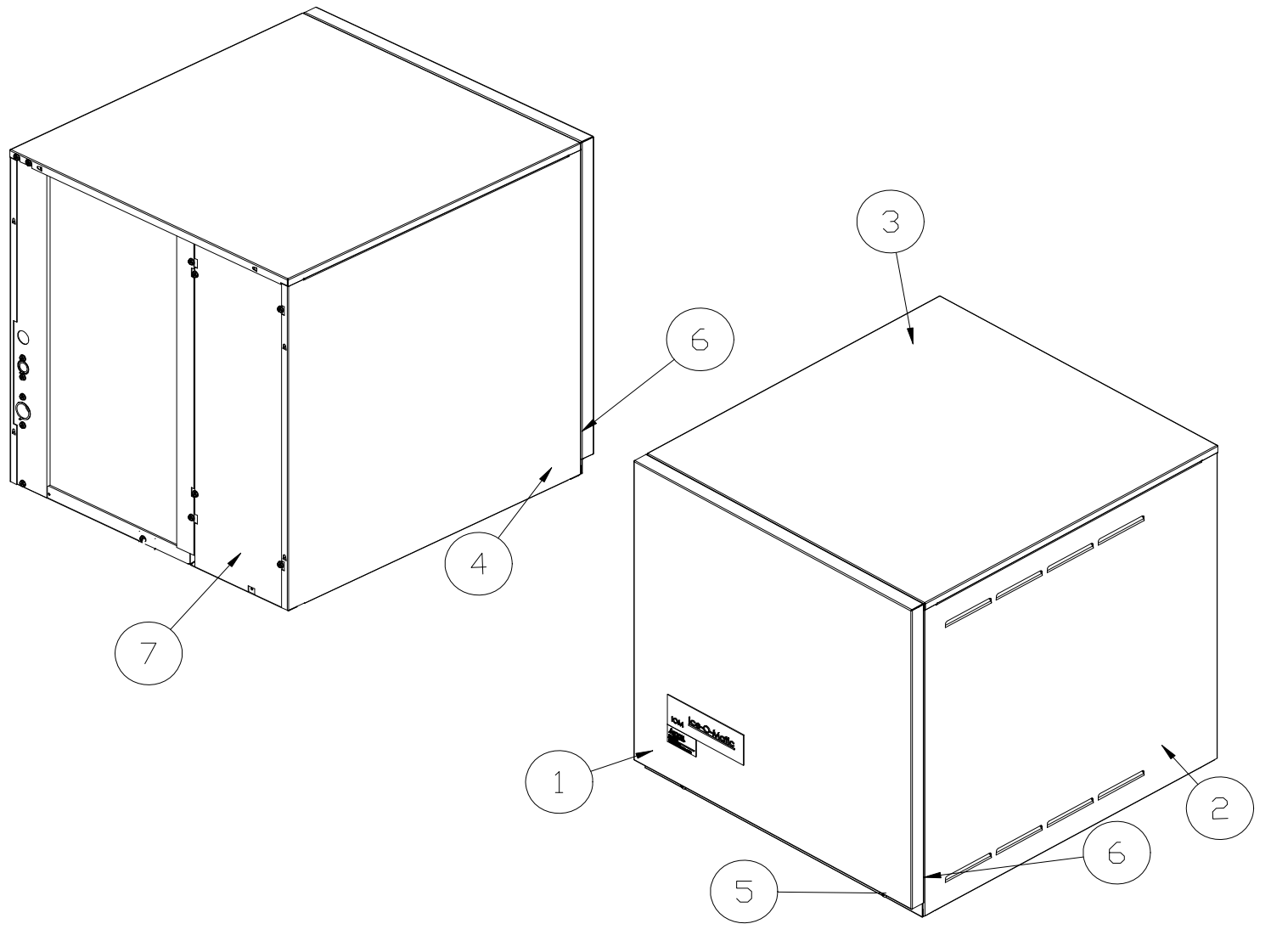
**Check the model number on the data plate and refer to the correct listing for the specific component.**

Check carefully that the correct part is identified and ordered.

<b>Table of Contents</b>	<b>Page 1</b>
<b>Cabinet Exterior</b>	<b>Page 2</b>
<b>ICE0320/ICE0520 Air Cooled</b>	<b>Page 3</b>
<b>ICE0320/ICE0520 Water Cooled</b>	<b>Page 4</b>
<b>Evaporator</b>	<b>Page 5</b>
<b>Control Box</b>	<b>Page 6</b>
<b>Fan Assemblies</b>	<b>Page 7</b>
<b>Harvest Assist Components</b>	<b>Page 8</b>
<b>Water Pump/Float</b>	<b>Page 9</b>

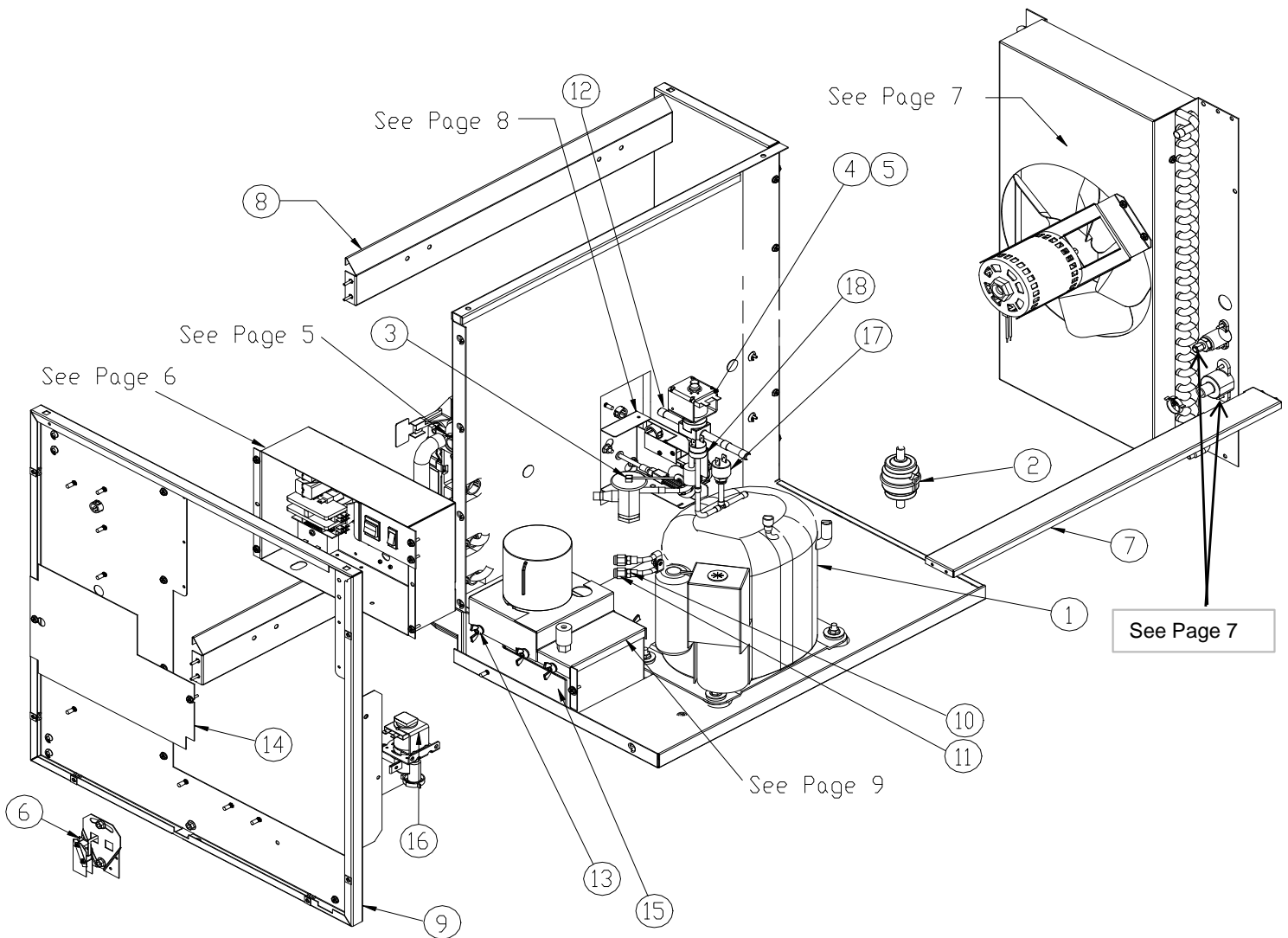
**Parts indicated NLA=No Longer Available, No Replacement Unless Indicated**

**Ice-O-Matic  
11100 East 45th Ave.  
Denver Co. 80239  
800-423-3367**

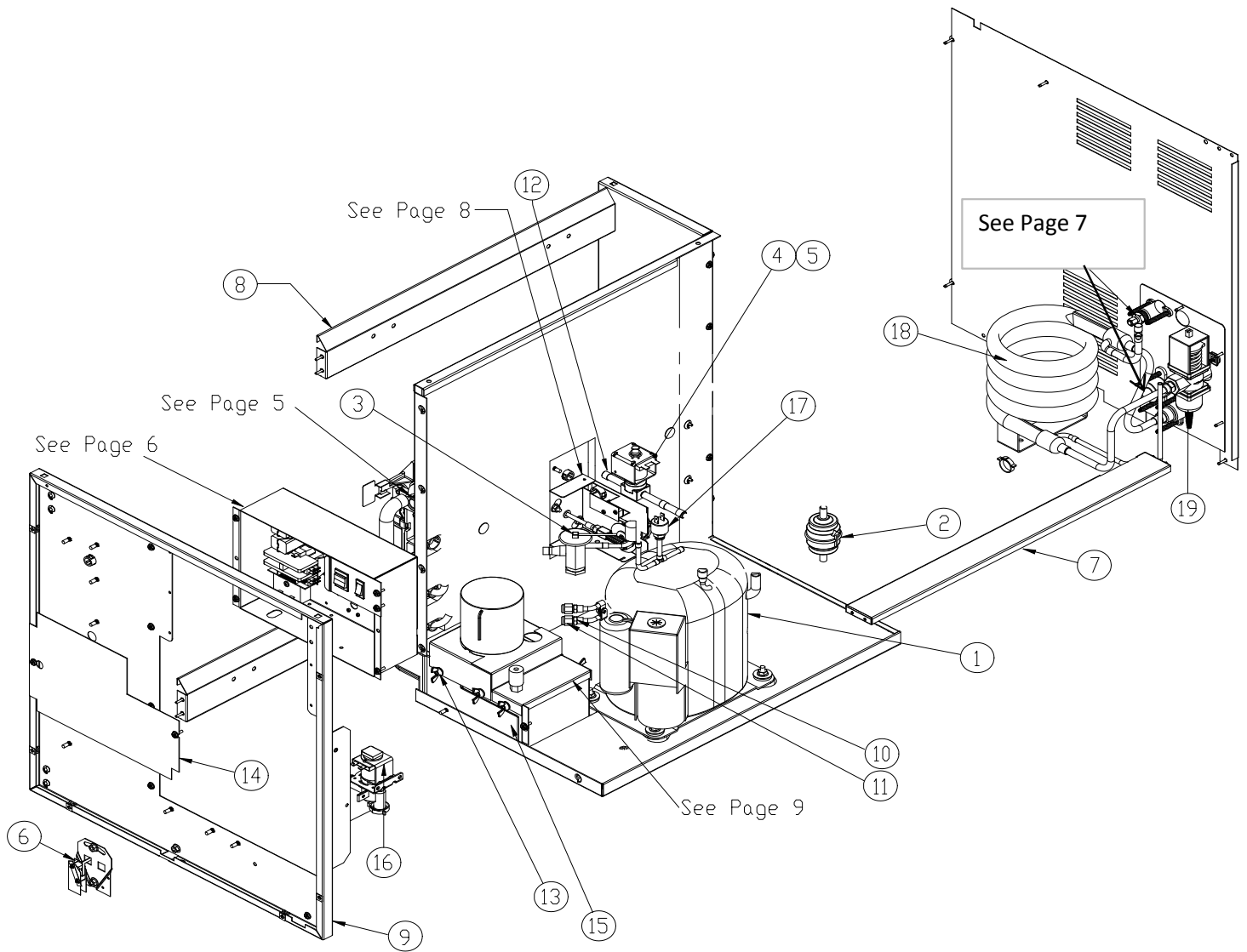


Item No.	Model Number				Stainless Steel Panels
	ICE0320	ICE0325	ICE0520	ICE0525	Description
1	2031490-01S	2031490-01S	2031490-01S	2031490-01S	Front Panel
2	3021831-01	3021831-01	3021831-01	3021831-01	Right Hand Side Panel-Air Cooled Only
	3021862-01	3021862-01	3021862-01	3021862-01	Right Hand Side Panel-Water Cooled Only
3	3021847-01	3021847-01	3021847-01	3021847-01	Top Panel
4	2101330-01S	2101330-01S	2101330-01S	2101330-01S	Left Hand Side Panel
5	9031098-03	9031098-03	9031098-03	9031098-03	Front Panel Screw
6	9031046-01	9031046-01	9031046-01	9031046-01	Side Panel Screw
7	3021838-01	3021838-01	3021838-01	3021838-01	Rear Cover Panel

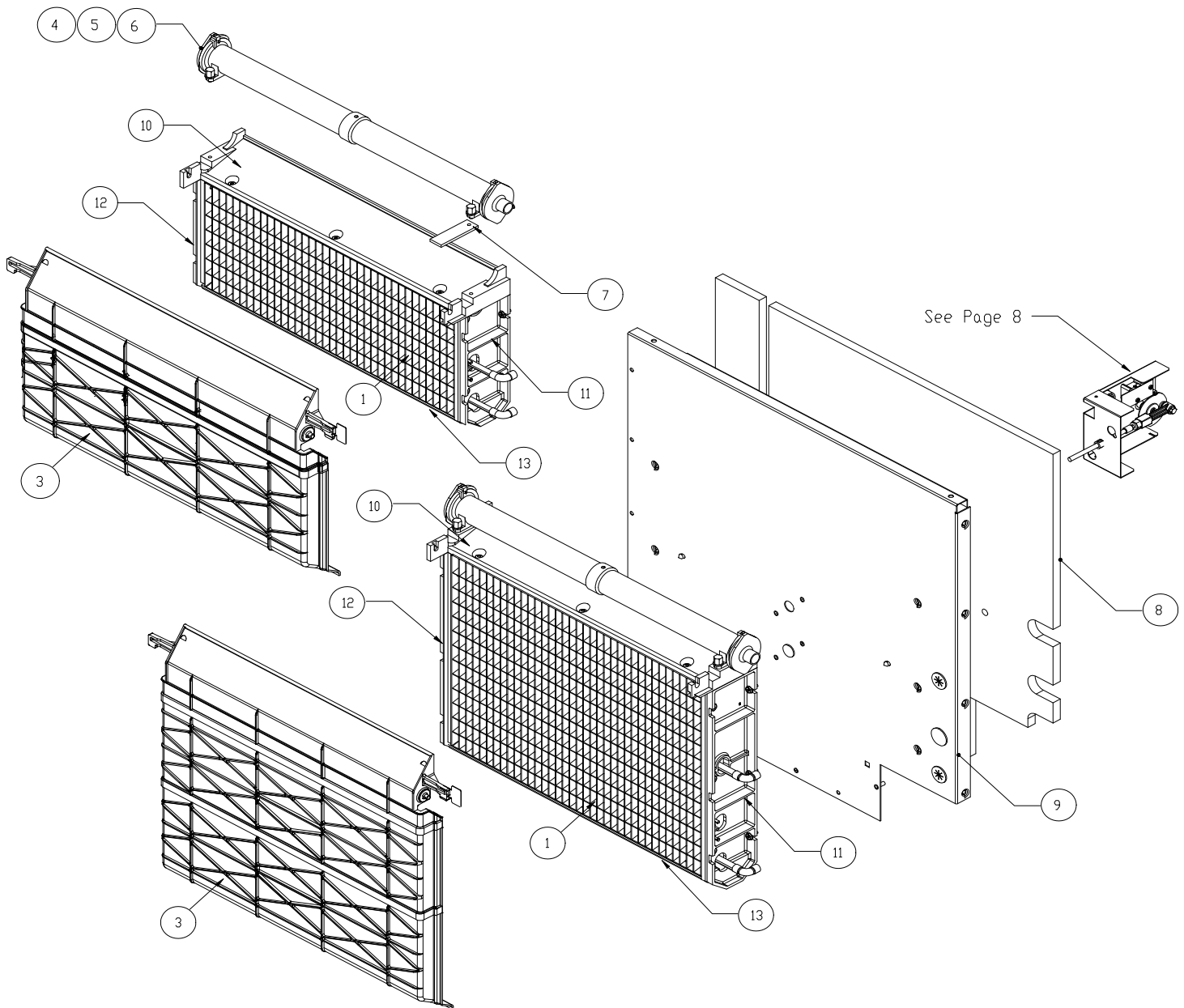
Item No.	Model Number				Plastic Panels
	ICE0320	ICE0325	ICE0520	ICE0525	Description
1	2031465-12	2031465-12	2031465-12	2031465-12	Front Panel (Plastic) <b>NLA</b>
2	3021831-01	3021831-01	3021831-01	3021831-01	Right Hand Side Panel-Air Cooled Only
	3021862-01	3021862-01	3021862-01	3021862-01	Right Hand Side Panel-Water Cooled Only <b>NLA</b>
3	3051237-01S	3051237-01S	3051237-01S	3051237-01S	Top Panel (Plastic) <b>NLA</b>
	9031098-02	9031098-02	9031098-02	9031098-02	Top Panel Screw
4	2101330-01S	2101330-01S	2101330-01S	2101330-01S	Left Hand Side Panel
5	9031098-02	9031098-02	9031098-02	9031098-02	Front Panel Screw
6	9031046-01	9031046-01	9031046-01	9031046-01	Side Panel Screw
7	3021838-01	3021838-01	3021838-01	3021838-01	Rear Cover Panel



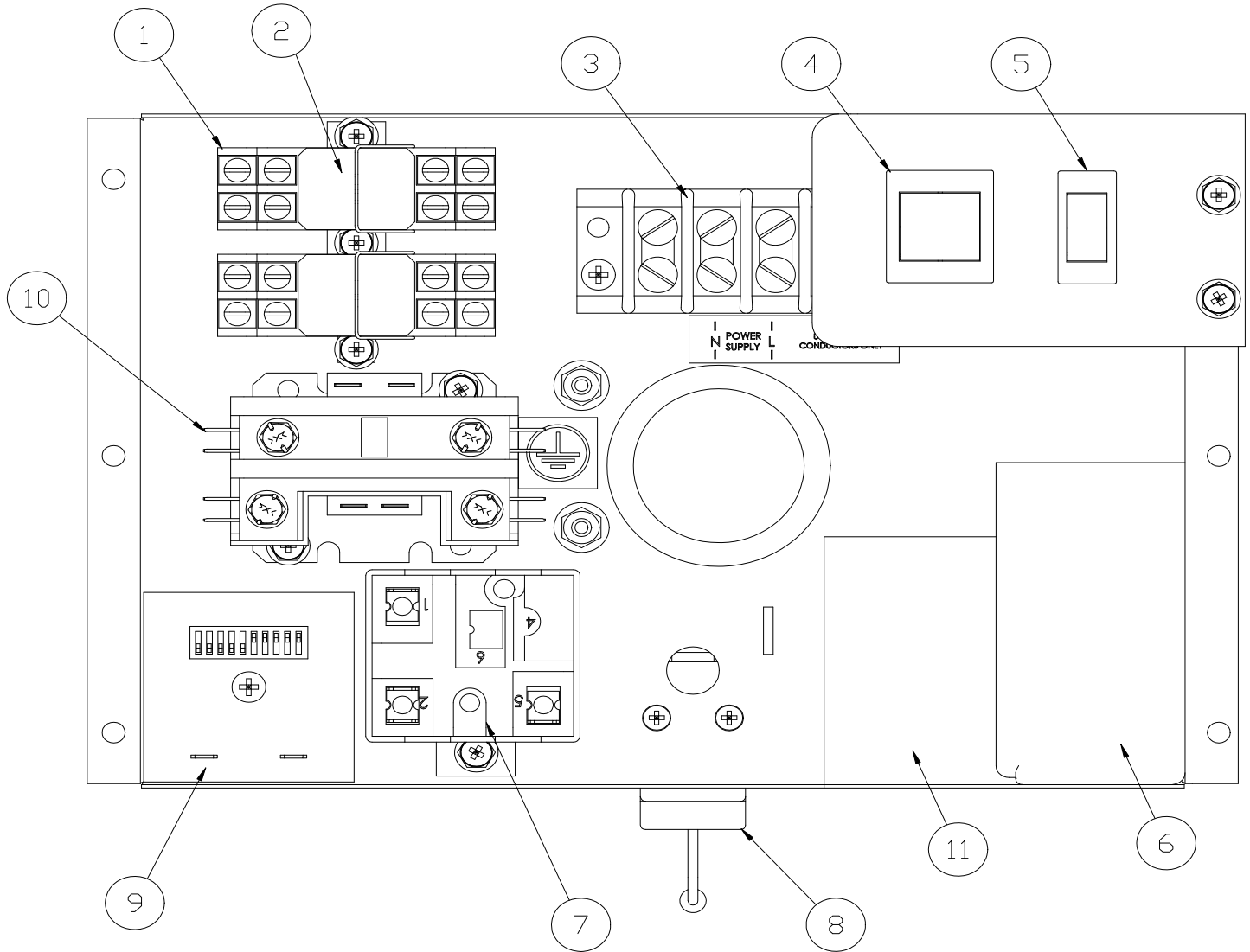
Item No.	Model Number				Description
	ICE0320	ICE0325	ICE0520	ICE0525	
1	9181121-11	9181122-11	9181121-11	9181127-11	Compressor Kit-- See page 6 for Compressor Components
2	9151163-01	9151163-01	9151163-01	9151163-01	Filter Drier (9151004-02 is NLA)
3	9151154-101	9151154-101	9151149-101	9151149-101	Expansion Valve
4	9151123-01	9151123-01	9151123-01	9151123-01	Hot Gas Valve Body
5	9151123-03	9151123-04	9151123-03	9151123-04	Hot Gas Valve Coil
6	9101124-02	9101124-02	9101124-02	9101124-02	Bin Switch
7	3012965-01	3012965-01	3012965-01	3012965-01	Side Brace
8	3012924-01	3012924-01	3012924-01	3012924-01	Ice Deflector
9	2021652-01	2021652-01	2021652-01	2021652-01	Front Frame panel
10	9091086-03	9091086-03	9091086-03	9091086-03	Service Valve Cap
11	9091086-02	9091086-02	9091086-02	9091086-02	Service Valve Core
12	9041098-01	9041098-01	9041098-01	9041098-01	High Temperature Safety Control
13	9031161-01	9031161-01	9031161-01	9031161-01	Nylon Wing Nut
14	3012974-01	3012974-01	3012974-01	3012974-01	Control Box Cover
15	9051478-01	9051478-01	9051478-01	9051478-01	Water Pan
16	9041105-04	9041105-05	9041105-04	9041105-05	Purge Valve (9041086 is NLA)
17	9041091-01	9041091-01	9041091-01	9041091-01	High Pressure Control
18	9041106-01	9041106-01	9041106-01	9041106-01	Fan Cycle Control (9041096-01 is NLA)



Item No.	Model Number				Description
	ICE0320	ICE0325	ICE0520	ICE0525	
1	9181121-11	N/A	9181121-11	N/A	Compressor Kit-- See page 6 for Compressor Components
2	9151163-01	N/A	9151163-01	N/A	Filter Drier (9151004-02 is NLA)
3	9151154-101	N/A	9151149-101	N/A	Expansion Valve
4	9151123-01	N/A	9151123-01	N/A	Hot Gas Valve Body
5	9151123-03	N/A	9151123-03	N/A	Hot Gas Valve Coil
6	9101124-02	N/A	9101124-02	N/A	Bin Switch
7	3012965-01	N/A	3012965-01	N/A	Side Brace
8	3012924-01	N/A	3012924-01	N/A	Ice Deflector
9	2021652-01	N/A	2021652-01	N/A	Front Frame panel
10	9091086-03	N/A	9091086-03	N/A	Service Valve Cap
11	9091086-02	N/A	9091086-02	N/A	Service Valve Core
12	9041098-01	N/A	9041098-01	N/A	High Temperature Safety Control
13	9031161-01	N/A	9031161-01	N/A	Nylon Wing Nut
14	3012974-01	N/A	3012974-01	N/A	Control Box Cover
15	9051478-01	N/A	9051478-01	N/A	Water Pan
16	9041105-04	N/A	9041105-04	N/A	Purge Valve (9041086-04 is NLA)
17	9041091-01	N/A	9041091-01	N/A	High Pressure Control
18	9141121-01	N/A	9141121-01	N/A	Water Cooled Condenser
19	9041059-01	N/A	9041059-01	N/A	Water Regulating Valve



Item No.	Model Number				Description
	ICE0320	ICE0325	ICE0520	ICE0525	
1	2051222-01S	2051222-01S	2051232-81A	2051232-81A	Evaporator-Full Cube ( Includes Elbows)
1	2051222-02S	2051222-02S	2051232-82A	2051232-82A	Evaporator-Half Cube (Includes Elbows)
3	2101387-01	2101387-01	2101355-04	2101355-04	Curtain
4	2041338-02	2041338-02	2041338-02	2041338-02	Water Distribution Tube
5	9031122-01	9031122-01	9031122-01	9031122-01	Thumb Screw
6	9031004-19	9031004-19	9031004-19	9031004-19	Washer
7	3012747-01	3012747-01	N/A	N/A	Curtain Stopper Clip
8	9131413-01	9131413-01	9131413-01	9131413-01	Insulation
9	2021651-01	2021651-01	2021651-01	2021651-01	Divider Panel
10	9051135-05	9051135-05	9051135-05	9051135-05	Evaporator Spillway
11	9051136-08	9051136-08	9051136-06	9051136-06	Evaporator Right Side Mounting Panel
12	9051136-07	9051136-07	9161136-05	9161136-05	Evaporator Left Side Mounting Panel
13	9051135-04	9051135-04	9051135-04	9051135-04	Evaporator Water Return

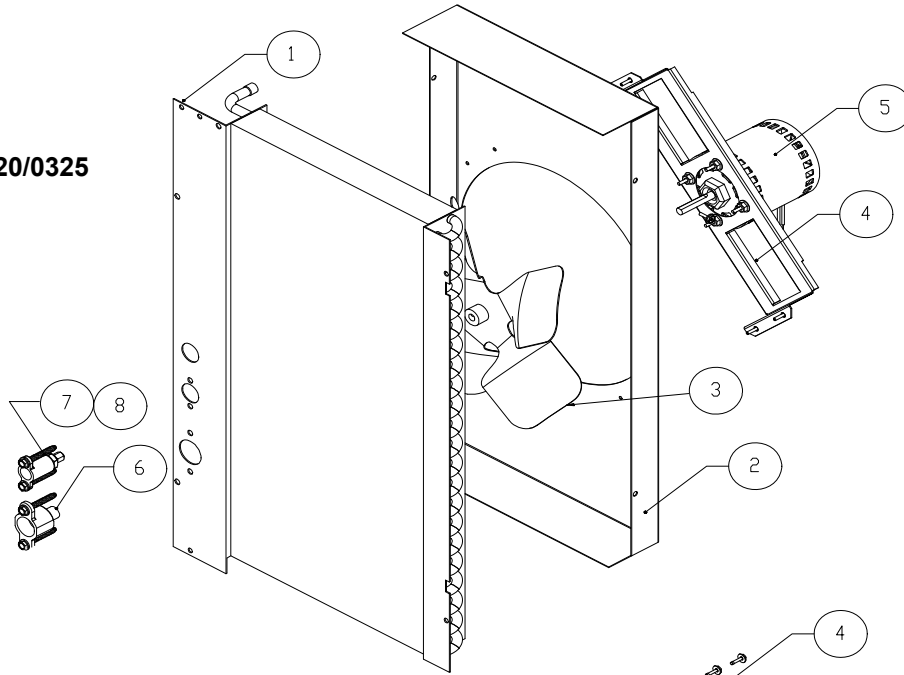


Item No.	Model Number				Description
	ICE0320	ICE0325	ICE0520	ICE0525	
1	9101083-01	9101083-01	9101083-01	9101083-01	Relay Socket
2	9101084-01	9101084-02	9101084-01	9101084-02	Relay
3	9101037-01	9101037-01	9101037-01	9101037-01	Terminal Board
4	9101195-01	9101195-01	9101195-01	9101195-01	On-Off Wash Switch (9101349-01 is NLA)
5	9101139-03	9101139-03	9101139-03	9101139-03	Purge Switch (1051208-01 is NLA)
6	9181003-09	9181003-40	9181003-09	9181003-45	Start Capacitor
7	9181004-27	9181010-26	9181004-27	9181010-30	Compressor Relay
8	9041104-101A	9041104-101A	9041104-101A	9041104-101A	Low Pressure Control (9041094-01 is NLA)
9	9101148-01	9101148-01	9101148-01	9101148-01	Timer
10	9101002-07	9101002-06	9101002-07	9101002-06	Contactor
11	N/A	9181009-08	N/A	9181009-08	Run Capacitor
12	9041098-01	9041098-01	9041098-01	9041098-01	High Temp Safety (Not Shown) On Hot Gas Valve
13	9101218-11	9101218-11	9101218-11	9101218-11	Water Pump Cord (Not Shown)

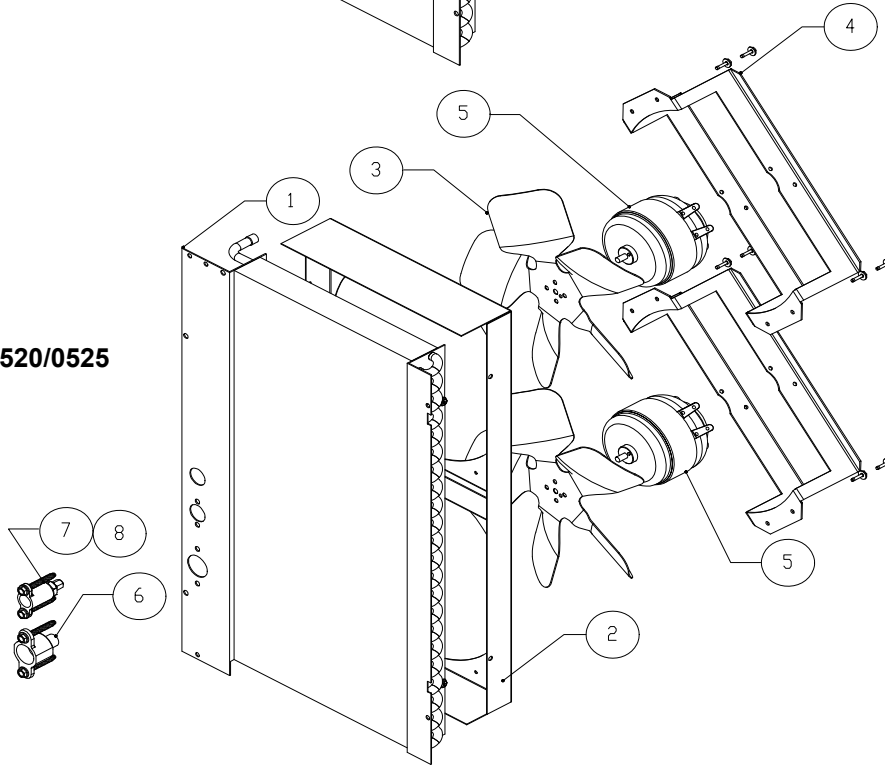
Specific Compressor Components				
ICE0320	ICE0325	ICE0520	ICE0525	
9181121-01	9181122-01	9181121-01	9181127-01	Compressor
9181003-39	9181003-40	9181003-39	9181003-45	Start Capacitor
N/A	9181009-08	N/A	9181009-08	Run Capacitor
9181004-27	9181010-26	9181004-27	9181010-30	Relay
9181005-37	9181005-39	9181005-37	9181005-44	Overload



ICE0320/0325



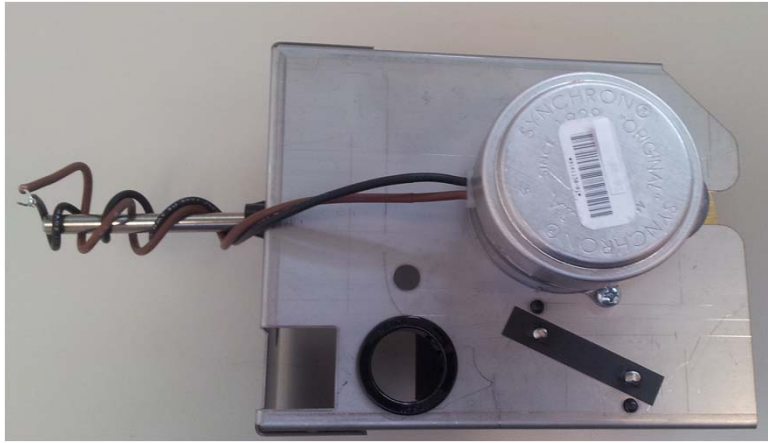
ICE0520/0525



Item No.	Model Number				Description
	ICE0320	ICE0325	ICE0520	ICE0525	
1	9141118-01	9141118-01	9141118-01	9141118-01	Air Condenser
2	3013111-01	3013111-01	2021613-01	2021613-01	Fan Shroud
3	9131225-01	9131384-04	9131384-04	9131384-04	Fan Blade
4	3013252-01	3013252-01	3013252-01	3013252-01	Fan Motor Bracket
5			9161112-01		Fan Motor
	1051209-04				Fan Motor Kit, 9161089-02 is NLA (AO Smith)
5		9161124-02		9161124-04	Fan Motor (Replaces 9161078-02=EM&S ESPL35EM25)
	9161124-01				Fan Motor (Replaces 9161078-01=EM&S ESPL35EM1)
6	9091140-01	9091140-01	9091140-01	9091140-01	Drain Fitting
7	9091074-01	9091074-01	9091074-01	9091074-01	Drop Adapter
8	9091083-01	9091083-01	9091083-01	9091083-01	Water Inlet Fitting

Reference the Model Numbers below for the specific Harvest Assist Assembly

Item No.	Model Number				Description
	ICE0320	ICE0325	ICE0520	ICE0525	
	1051210-01A	1051210-02A	1051210-01A	1051210-02A	Complete Assembly
	2061962-01S	2061962-02S	2061962-01S	2061962-02S	No Longer Available



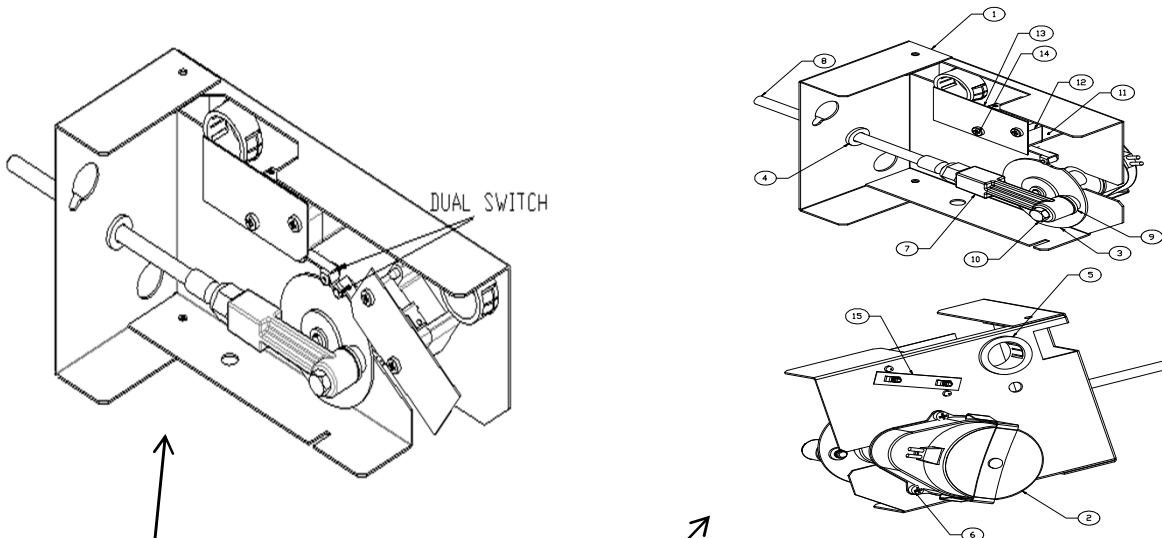
**1051210-XX Reference above for Specific Model Number and Part Number**

- The **1051210-XX** assembly will fit all ICE Models from October 1999 and EC Models.
- Units installed with a double cam switch, either Field installed or Factory installed will require the complete assembly and a potential wiring change as per the New Wiring Diagram included with the assembly.
- Individual component parts are not available for the **1051210-XX** assembly.
- Individual component parts are No Longer Available for previous version of the Harvest Assist Assembly
- Parts for the **2061962-XX** Harvest Assist Assembly are not compatible with **1051210-XX** Harvest Assist Assembly.
- Proper assembly and alignment of the parts is critical to proper operation, this includes cam and probe alignment.
- If a **1051210-XX** assembly fails, it must be returned to Ice-O-Matic.

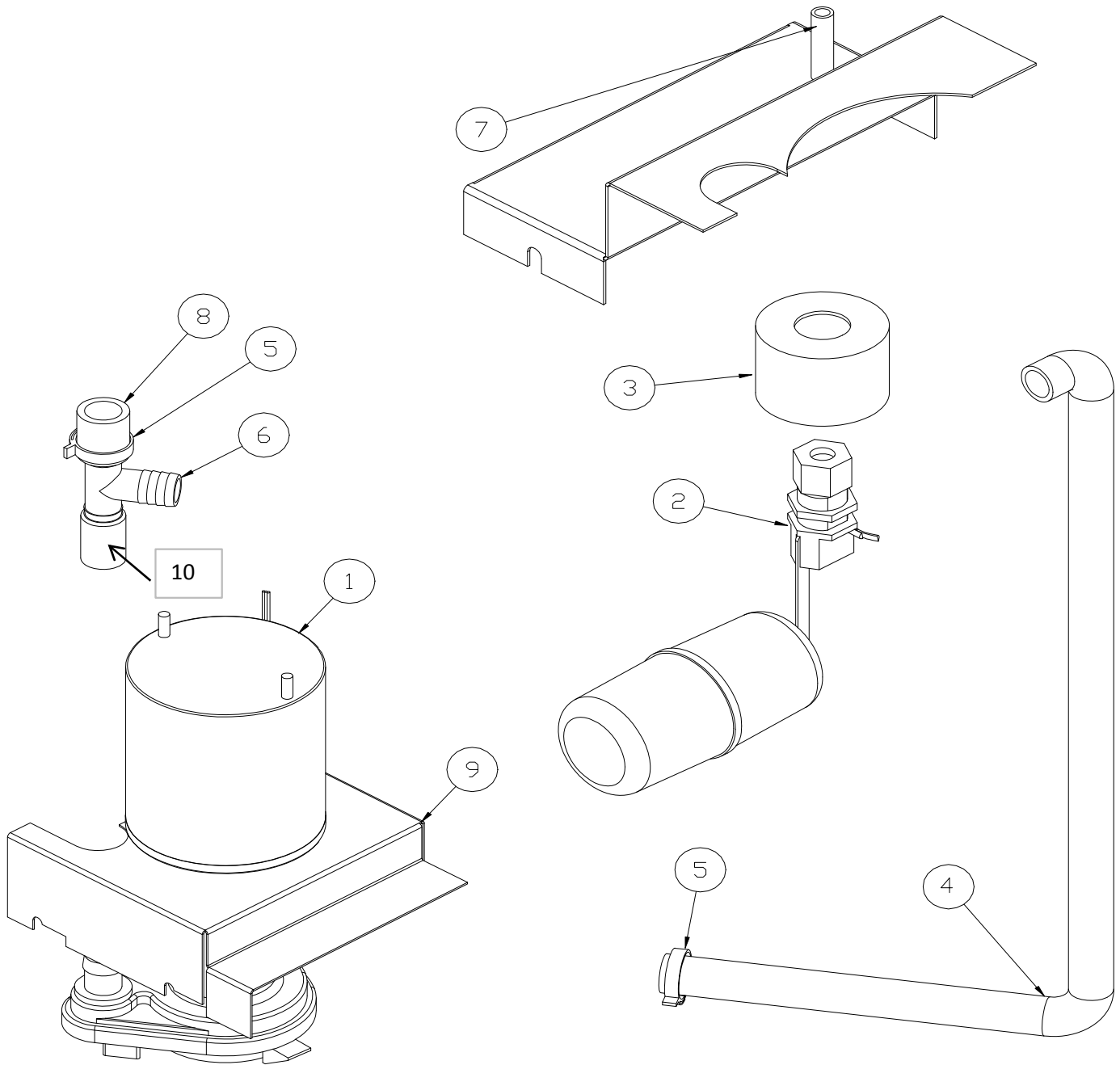
**1051210-XX are only supplied as complete assemblies, individual components are not available.**

Please reference the above Model Numbers to insure the correct assembly is supplied

**THE DUAL CAM SWITCH HARVEST ASSIST ASSEMBLIES ARE NO LONGER AVAILABLE**



1051199-01	No Longer Available		
1051200-01	No Longer Available	2061962-01S	No Longer Available
1051201-01	No Longer Available	2061962-02S	No Longer Available
1051202-01	No Longer Available		
1051207-01	No Longer Available		



Item No.	Model Number				Description
	ICE0320	ICE0325	ICE0520	ICE0525	
1	9161076-01	9161076-02	9161076-01	9161076-02	Water Pump
2	9131111-101	9131111-101	9131111-101	9131111-101	Float Assembly (Includes Fittings) (9131111-01 is NLA)
3	9131026-02	9131026-02	9131026-02	9131026-02	Float Splash Shield
4	9051506-02	9051506-02	9051506-01	9051506-01	Water Pump Tube
5	9021010-04	9021010-04	9021010-04	9021010-04	Plastic Clamp
6	9091024-01	9091024-01	9091024-01	9091024-01	Barbed Tee
7	3032898-24	3032898-24	3032898-24	3032898-24	Water Inlet Tube, 1/4 Inch x 24 Inch
8	3051223-10	3051223-10	3051223-10	3051223-10	5/8 Inch ID x 10 Inch Long Tube
9	3013076-01	3013076-01	3013076-01	3013076-01	Water Pump Bracket
10	3051223-02	3051223-02	3051223-02	3051223-02	Water Pump to T Tube
11	3051222-24	3051222-24	3051222-24	3051222-24	Purge Valve to Drain Fitting
12	3013445-01	3013445-01	3013445-01	3013445-01	Cover