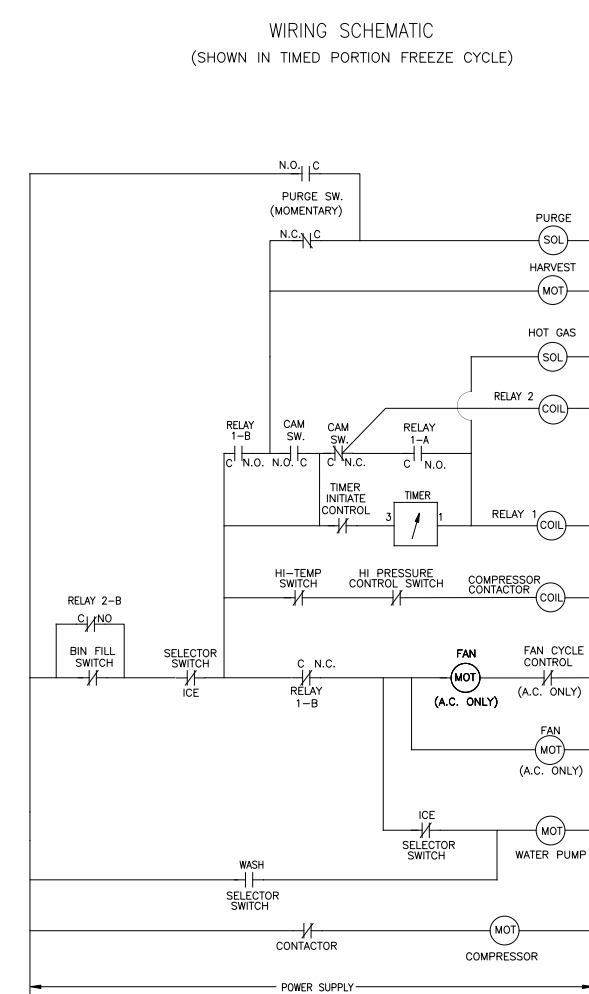
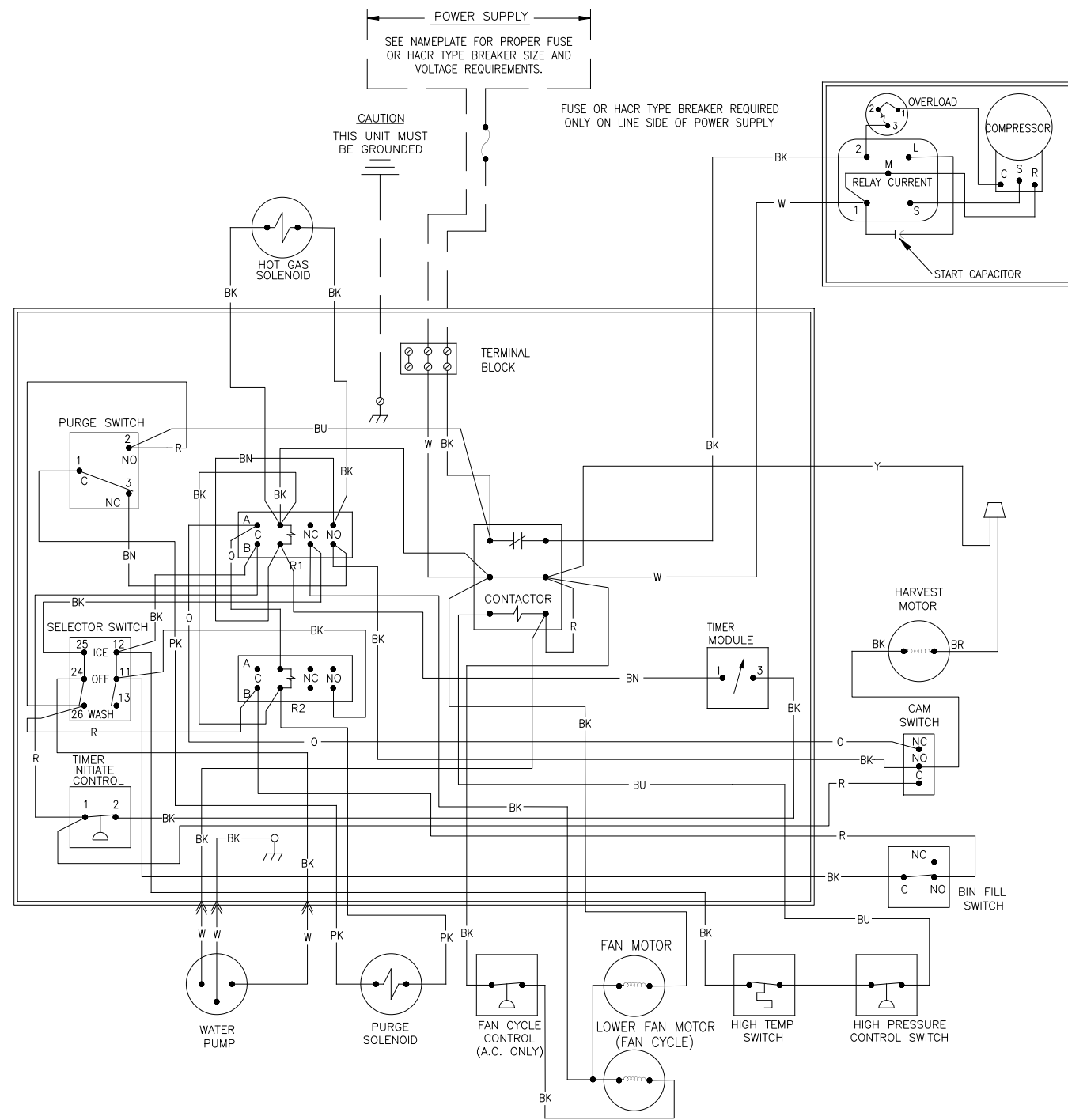


E.N.	SYM.	DESCRIPTION OF CHANGE	DWN.	CHK.	APP'D.	DATE
5121	A	RELEASE FOR PRODUCTION, A=NPD	ETM	ATP	ATP	12/2/14
5796	B	-01 OBS; REPLACED BY 9072181-01	ETM	JP	JP	10/28/15



9072154-01

9072154-01
REV A

- NOTE:**
- MAT'L: PERMANENT BLACK INK PRINTING ON 3.4 MIL SEMI-RIGID WHITE VINYL WITH PERMANENT ADHESIVE BACKING ON 8.5 x 11 INCH SHEET.
 - MUST BE RoHS COMPLIANT.
 - REF DOCUMENT 2062243-01.

MODEL:	ITEM NO.	PART NO.	QTY	UNIT	DESCRIPTION
ICE0520A					RESTRICTED, CONFIDENTIAL DOCUMENT *This drawing and all information shown hereon are the exclusive property of Mile High Equipment Company, and are submitted only on a confidential basis, the recipient agrees not to reproduce the drawing, to return it upon request, and that no disclosure of the drawing or the information shown hereon will be made to a third party without prior written consent from Mile High Equipment, LLC.*
					MATERIAL DESCRIPTION NOTED
					MATERIAL P/N
					FINISH
					ACAD FILE NAME 9072154
				UNLESS OTHERWISE SPECIFIED DIMENSIONS ARE IN INCHES	
				TOLERANCES .XX ±015 .XXX ±010 FRACTIONS ±1/32 ANGLES ±1/2 HOLES ±005	
				DO NOT SCALE READ ALL NOTES	TITLE DECAL-WIRING DIAGRAM ICE0520A SCALE 1=1 SHEET 1 OF 1 SIZE B 9072154-01