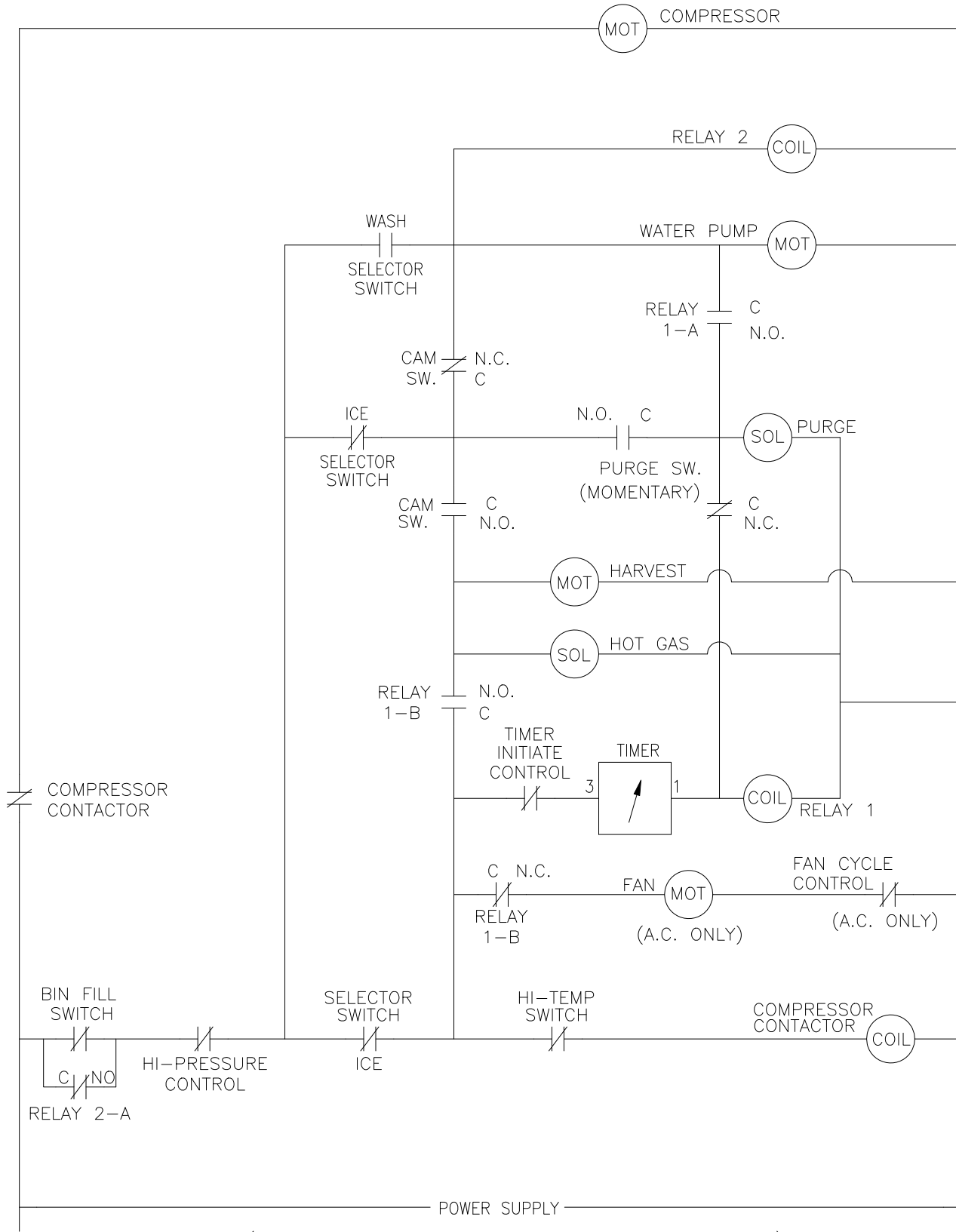




ICE0250 Air4 and Water4, ICE0400 Air3 and Water3 Wiring Schematic



(SHOWN IN TIMED PORTION FREEZE CYCLE)