

Ice-O-Matic®

SERVICE PARTS MANUAL

The HISU Series Undercounter Cubers

MODEL-HISU050, HISU055, HISU056

MODEL-HISU070, HISU075, HISU076

MODEL-HISU090, HISU095, HISU096



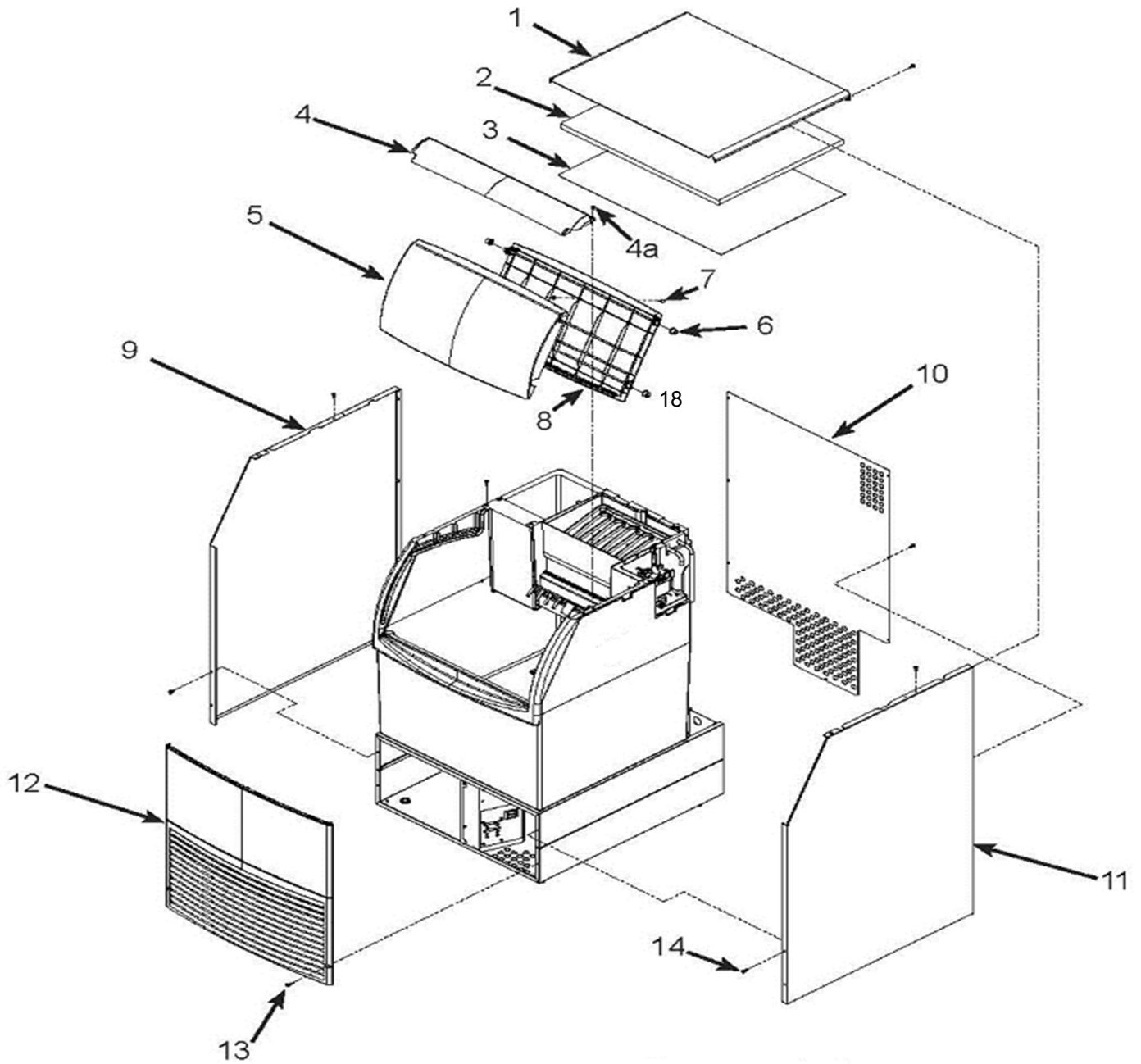
HISU Service Parts

Contents

Cabinet-HISU050, HISU055, HISU056, HISU070, HISU075 and HISU076	Page 2
Cabinet-HISU090, HISU095 and HISU096	Page 3
Under Bin Parts	Page 4
Bin and Insulation	Page 5
Refrigeration System HISU050, HISU055, HISU056, HISU070, HISU075 and HISU076	Page 6
Refrigeration System HISU090, HISU095 and HISU096	Page 7
Water System	Page 8
Controls and Electrical	Page 9

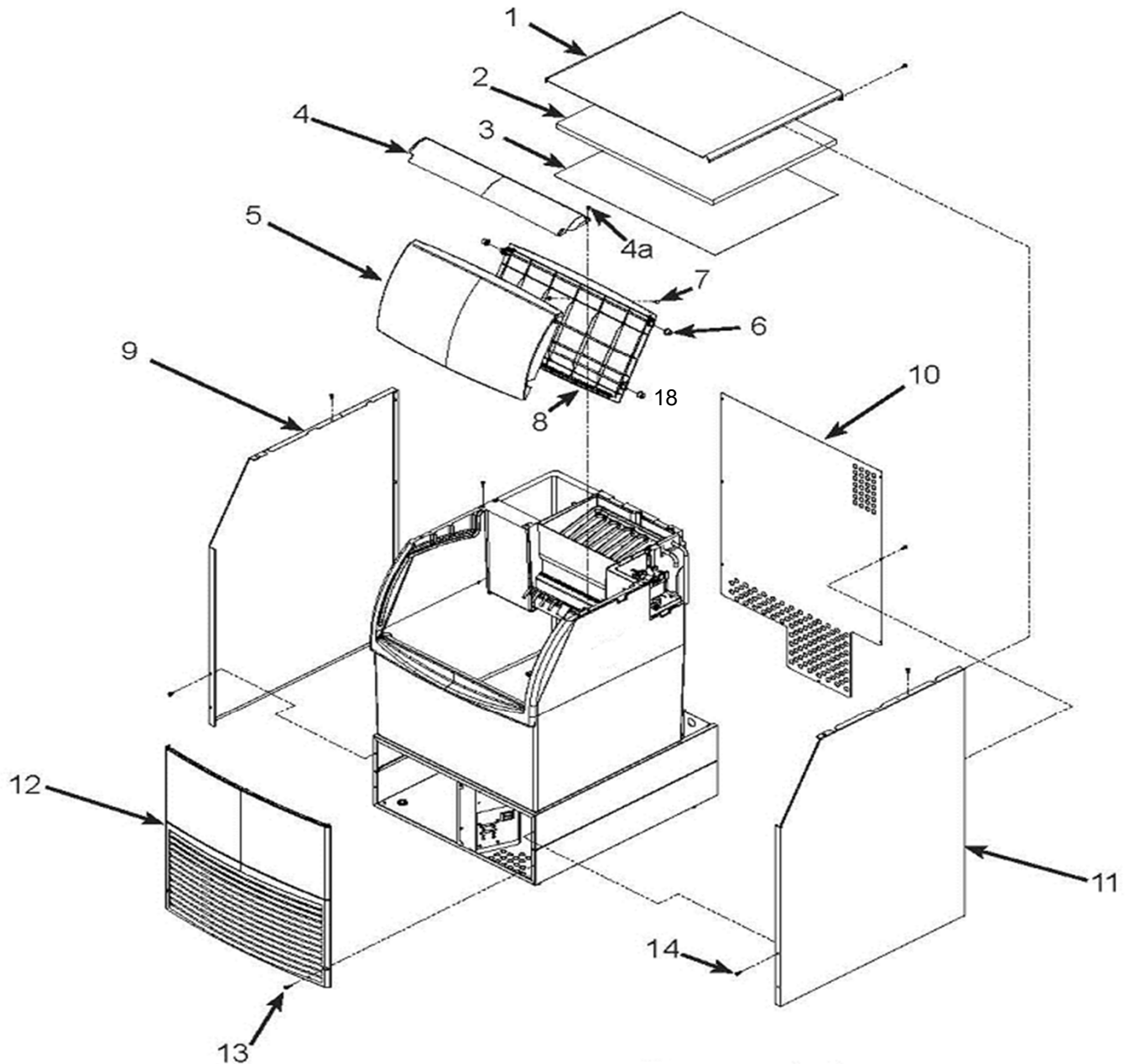
Model Number Specifics

Model	Voltage/Hz./Phase	Cabinet Width	Capacity
HISU050	115/60/1	15 Inches Wide	50 lb.
HISU055	230/50/1	15 Inches Wide	50 lb.
HISU056	230/60/1	15 Inches Wide	50 lb.
HISU070	115/60/1	15 Inches Wide	70 lb.
HISU075	230/50/1	15 Inches Wide	70 lb.
HISU076	230/60/1	15 Inches Wide	70 lb.
HISU090	115/60/1	20 Inches Wide	90 lb.
HISU095	230/50/1	20 Inches Wide	90 lb.
HISU096	230/60/1	20 Inches Wide	90 lb.

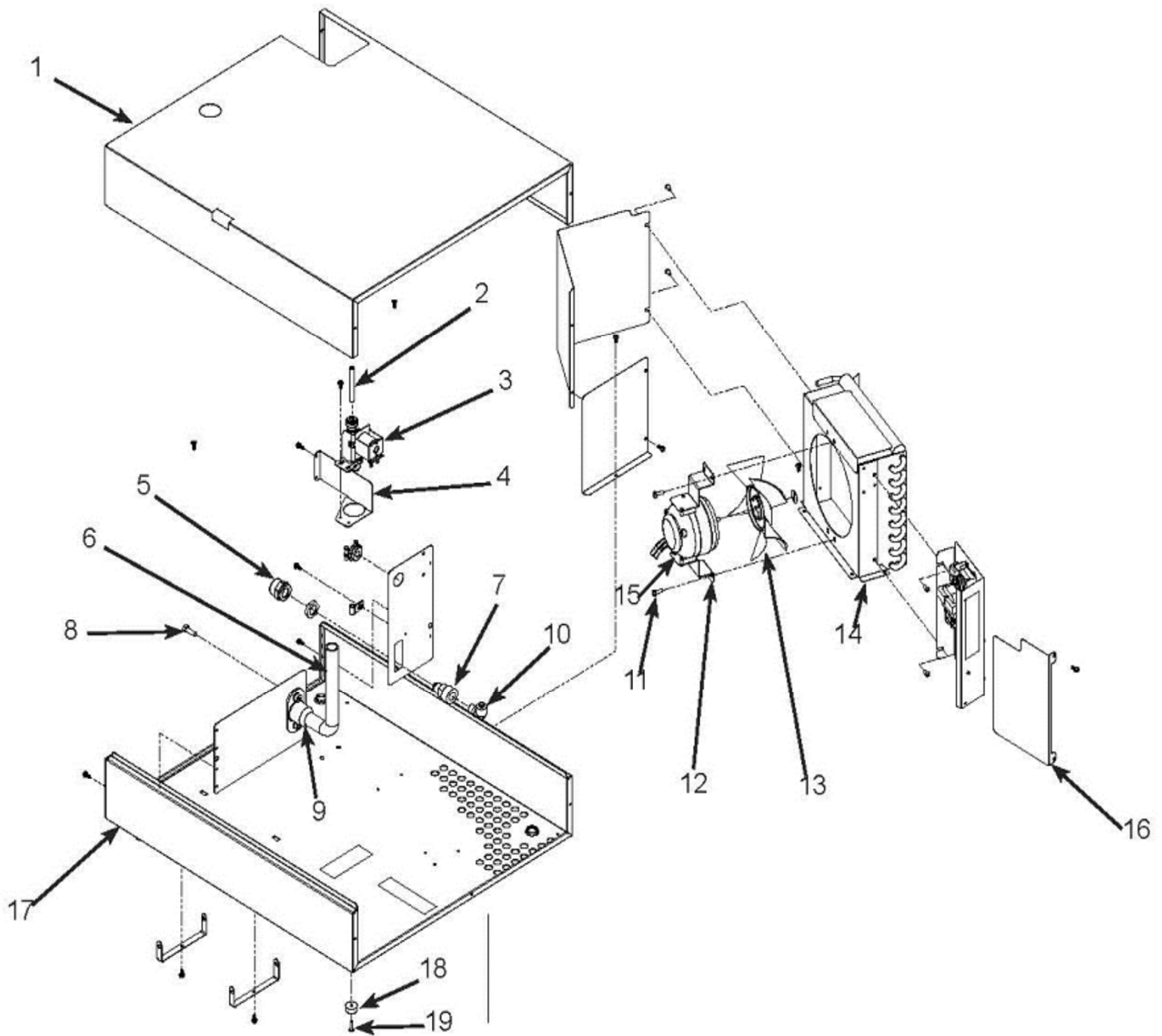


Item	Part Number	Description	Item	Part Number	Description
1	1011514-01	Top Panel, 15 Inch	9	1011514-10	Left Side Panel
2	1011514-02	Insulation	10	1011514-11	Back Panel, 15 inch
3	1011514-03	Inner Top Panel, 15 Inch	11	1011514-12	Right Side Panel
4	1011514-04	Top Frame, 15 Inch	12	1011514-13	Front Panel, 15 Inch
4a	1011514-05	Screw	13	9031113-14	Screw
5	1011514-06 NLA	Door, Outer, 15 Inch	14	1011514-14	Screw
6	1011514-07	Bumper	15	1011339-143	Leg Set (4 ea.)
7	1011514-08	Screw	16	1011514-15	Scoop
8	1011514-09	Door Liner, 15 Inch	17	1011514-16	Bin Thermostat Tube, 15 Inch
			18	1011514-103	Door Roller/Bushing, 4 Required

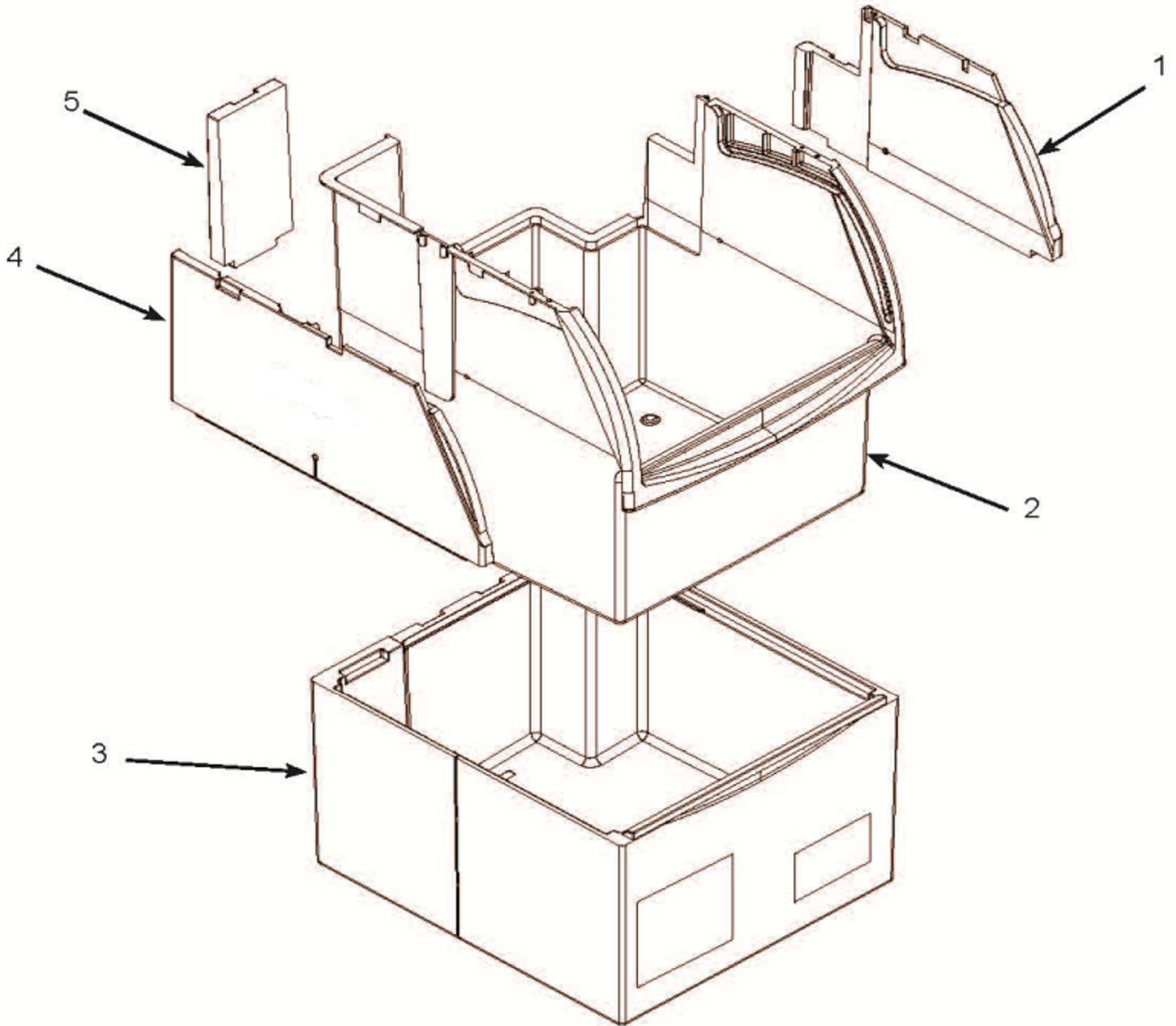
Models HISU090, HISU095 and HISU096



Item	Part Number	Description	Item	Part Number	Description
1	1011514-17	Top Panel, 20 Inch	9	1011514-10	Left Side Panel
2	1011514-18	Insulation, 20 Inch	10	1011514-23	Back Panel, 20 inch
3	1011514-19	Inner Top Panel, 20 Inch	11	1011514-12	Right Side Panel
4	1011514-20	Top Frame, 20 Inch	12	1011514-24	Front Panel, 20 Inch
4a	1011514-05	Screw	13	9031113-14	Screw
5	1011514-21	Door, Outer, 20 Inch	14	1011514-14	Screw
6	1011514-07	Bumper	15	1011339-143	Leg Set (4 ea.)
7	1011514-08	Screw	16	1011514-15	Scoop
8	1011514-22	Door Liner, 20 Inch	17	1011514-86	Bin Thermostat Tube, 20 Inch
			18	1011514-103	Door Roller/Bushing 4 Required



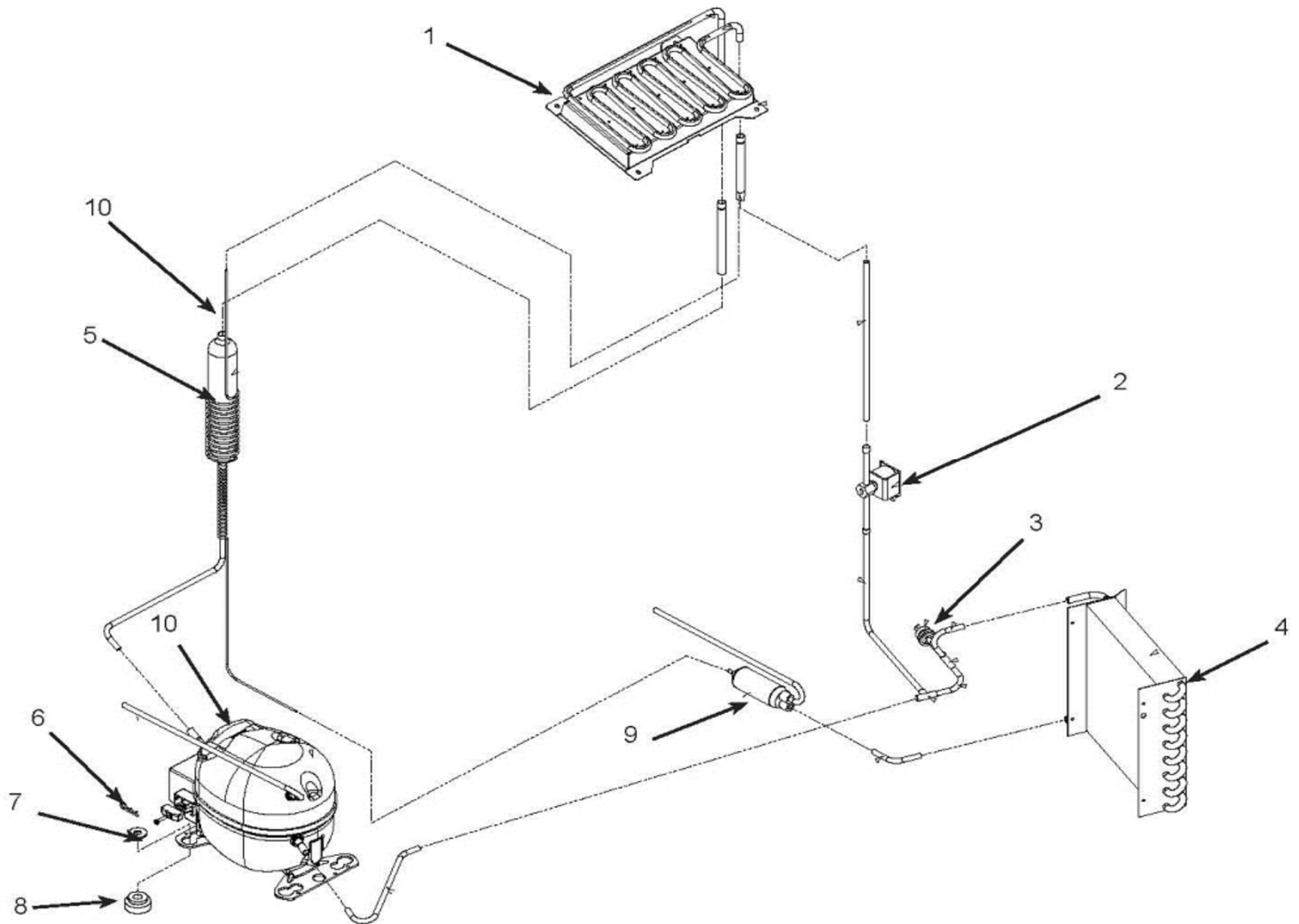
Item	Part Number	Description	Item	Part Number	Description
1	1011514-87	Chassis Cover, 15 Inch	15	1011448-75	Fan Motor 50/70-115V
	1011514-88	Chassis Cover, 20 Inch		1011514-25	Fan Motor 90-115V
2	1011514-89	Hose, Requires 22 Inches		1011514-26	Fan Motor 55/56 230V
3	1011514-90	Inlet Water Sol. Valve 115 Volt		1011514-26	Fan Motor 75/76 230V
	1011514-91	Inlet Water Sol. Valve 230 Volt		1011514-27	Fan Motor 95/96 230V
4	1011514-92	Bracket	16	1011514-28	Cover
5	1011514-93	Adapter For 230 Volt Models	17	1011514-29	Base, 15 Inch
6	1011514-94	Drain Hose		1011514-30	Base, 20 Inch
7	1011351-74	Hose Fitting, 230 Volt Models	18	1011514-07	Bumper
8	1011351-30	Screw For Drain Fitting	19	1011339-71	Screw
9	1011447-23	Drain Fitting Kit			
10	1011514-95	Elbow, 230 Volt Models			
11	1011514-96	Screw			
12	1011448-74	Fan Motor Bracket			
13	1011448-76	Fan Blade			
14	1011448-71	Fan Shroud			



Item	Part Number	Description
1	1011514-31	Right Side Insulation
2	1011514-32*	Bin Liner, 15 Inch
	1011514-33**	Bin Liner, 20 Inch
3	1011514-34	Insulation, 15 Inch Bin
	1011514-35	Insulation, 20 Inch Bin
4	1011514-36	Left Side Insulation
5	1011514-37	Insulation Filler

* Note: When ordering 1011514-32 you must order 1011514-31, 1011514-34, 1011514-36 and 1011514-37

** Note: When ordering 1011514-34 you must order 1011514-31, 1011514-35, 1011514-36 and 1011514-37



Item	Part Number	Description
1	1011514-38	Evaporator
2	1011514-39	Hot Gas Valve, 115 Volt
	1011514-40	Hot Gas Valve Coil, 115 Volt
	1011514-41	Hot Gas Valve, 230 Volt
3	1011514-42	Fan Motor Pressure Switch
4	1011448-66	Condenser

Item	Part Number	Description
5	1011514-43	Suction Assy, 505 LB 230 Volt
	1011514-44	Suction Assy, 50 LB 115 Volt
	1011514-44	Suction Assy, 70 LB
6	1011448-68	Clip
7	1011448-69	Washer
8	1011514-45	Grommet
9	1011448-67	Drier
10	1011514-46	Thermister Clip

11 Compressor and Starting Components

11 Compressor and Starting Components

Compressor Description and Part Number Underlined and Bold Include The Starting Components

Model Number HISU050

<u>1011514-470</u>	<u>Compressor HISU050</u>
1011514-471	Relay HISU050
1011514-472	Start Capacitor HISU050
1011514-473	Overload HISU050

Model Number HISU055, HISU056

<u>1011514-480</u>	<u>Compressor HISU055/056</u>
1011514-481	Relay HISU055/056
1011514-482	Start Capacitor HISU055/056
1011514-483	Overload HISU055/056

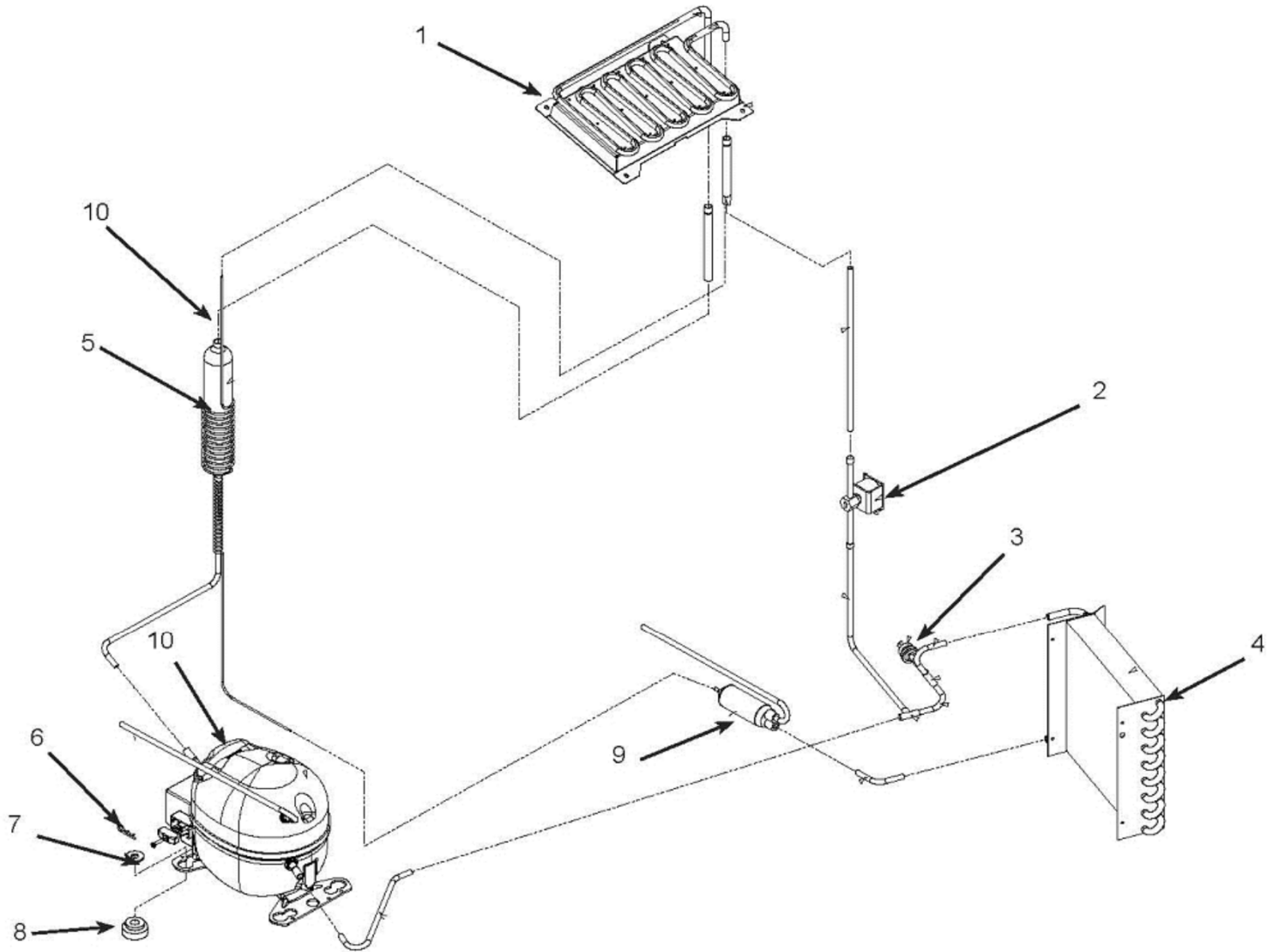
Model Number HISU070

<u>1011514-490</u>	<u>Compressor HISU070 NLA</u>
1011514-491	Relay HISU070
1011514-492	Start Capacitor HISU070
1011514-493	Overload HISU070
	NLA-Contact IOM

Model Number HISU075, HISU076

<u>1011514-500</u>	<u>Compressor HISU075, HISU076</u>
1011514-501	Relay HISU075, HISU076
1011514-502	Start Cap. HISU075, HISU076
1011514-503	Overload HISU075, HISU076

Models HISU090, HISU 095 and HISU096



Item	Part Number	Description
1	1011514-38	Evaporator
2	1011514-39	Hot Gas Valve, 115 Volt
	1011514-40	Hot Gas Valve Coil, 115 Volt
	1011514-41	Hot Gas Valve, 230 Volt
3	1011514-42	Fan Motor Pressure Switch
4	1011448-66	Condenser

Item	Part Number	Description
5	1011514-51	Suction Assy, 90 LB.
6	1011448-68	Clip
7	1011448-69	Washer
8	1011514-45	Grommet
9	1011448-67	Drier
10	1011514-46	Thermister Clip

11 Compressor and Starting Components

11 Compressor and Starting Components

Model Number HISU090

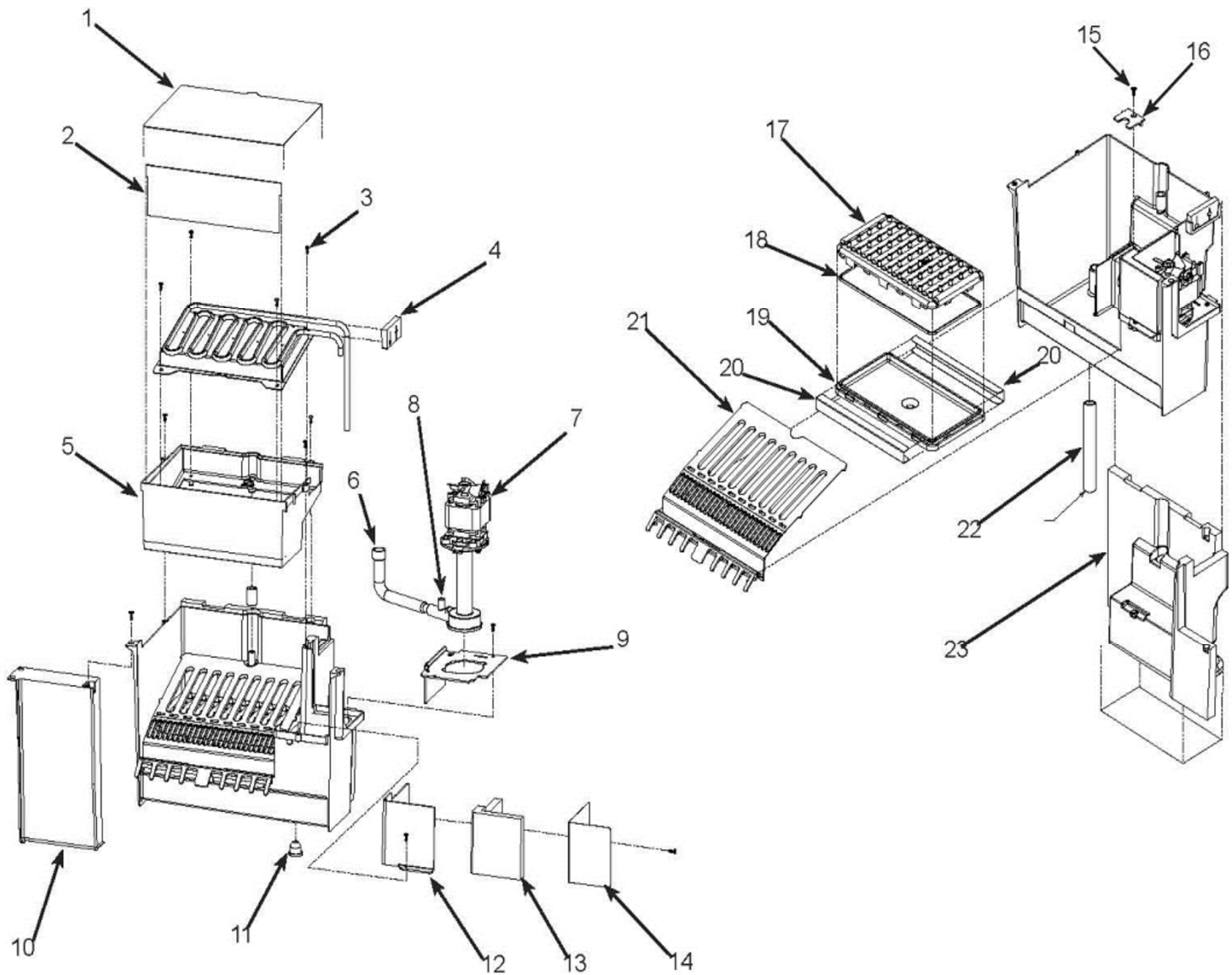
Model Number HISU095

1011514-520	Compressor HISU090
1011514-521	Relay HISU090
1011514-522	Start Capacitor HISU090
1011514-523	Overload HISU090

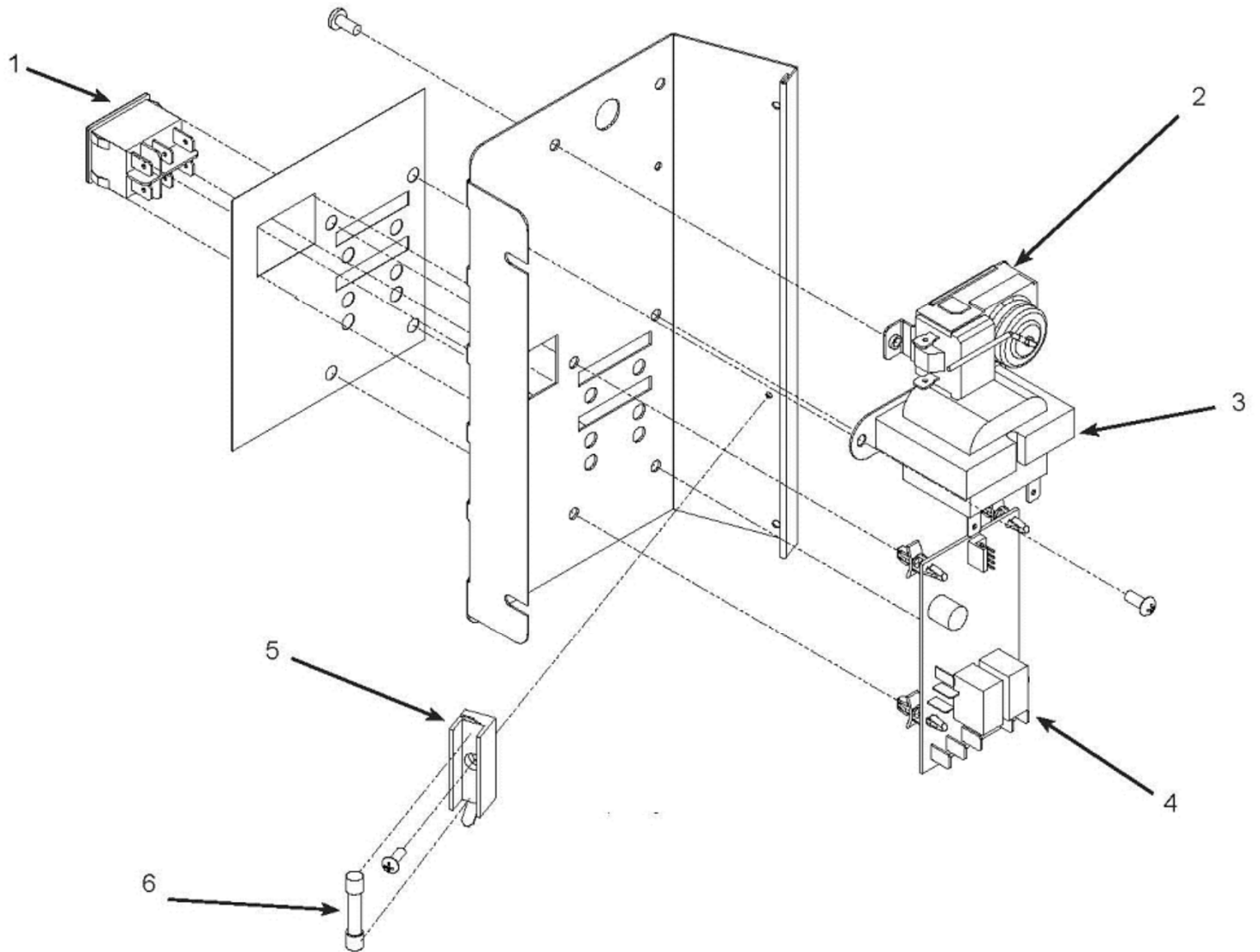
1011514-540	Compressor HISU095
1011514-541	Relay HISU095
1011514-542	Start Capacitor HISU095
1011514-543	Overload HISU095

Model Number HISU096

1011514-530	Compressor HISU096
1011514-531	Relay HISU096
1011514-532	Start Capacitor HISU096
1011514-533	Overload HISU096



Item	Part Number	Description	Item	Part Number	Description
1	1011514-55	Evaporator Cover	13	1011514-67	Insulation
2	1011514-56	Curtain	14	1011514-68	Motor Barrier
3	1011514-05	Screw	15	1011514-08	Screw
4	1011514-57	Grommet	16	1011514-69	Clip
5	1011514-58	Evaporator Frame	17	1011514-70	Water Header Top
6	1011514-59	Pump Hose, 60 HZ. Models	18	1011514-71	Gasket
	1011514-60	Pump Hose, 50 HZ. Models	19	1011514-72	Water Header Pan
7	9161132-01	Water Pump, 115 V Models	20	1011514-73	Water Header Clip
	1011514-62	Water Pump, 230 V Models	21	1011514-74	Cube Deflector
8	1011514-63	Thermister, Short Wire to Hose	22	1011447-64	Hose, 11.25 Inches Required
9	1011514-64	Pump Bracket	23	1011514-75	Insulation
10	1011514-65	Support			
11	9051610-01	Drain Plug			
12	1011514-66	Pump Cover			



Item	Part Number	Description
1	1011514-76	Master Switch
2	1011514-77	Bin Thermostat
3	1011448-107	Transformer 115V to 12 V
	1011514-78	Transformer 230 V to 12 V
4	1011514-79	Controller
5	1011514-80	Fuse Block, 50 HZ Only
6	1011514-81	Fuse, 50 HZ Only
7	1011514-82	Wire harness, Fits All Models
8	1011514-83	Power Cord, 115 Volt Models
	1011514-84	Power Cord, 230 Volt, 50 HZ.
	1011514-85	Power Cord, 230 Volt, 60 HZ.