

Ice-O-Matic[®]

Service Parts Manual GEMD790



GEMD790 SERVICE PARTS

This parts list contains the service parts and wiring diagrams for this model. Check the model number of the machine needing parts to be sure that this is the correct parts list.

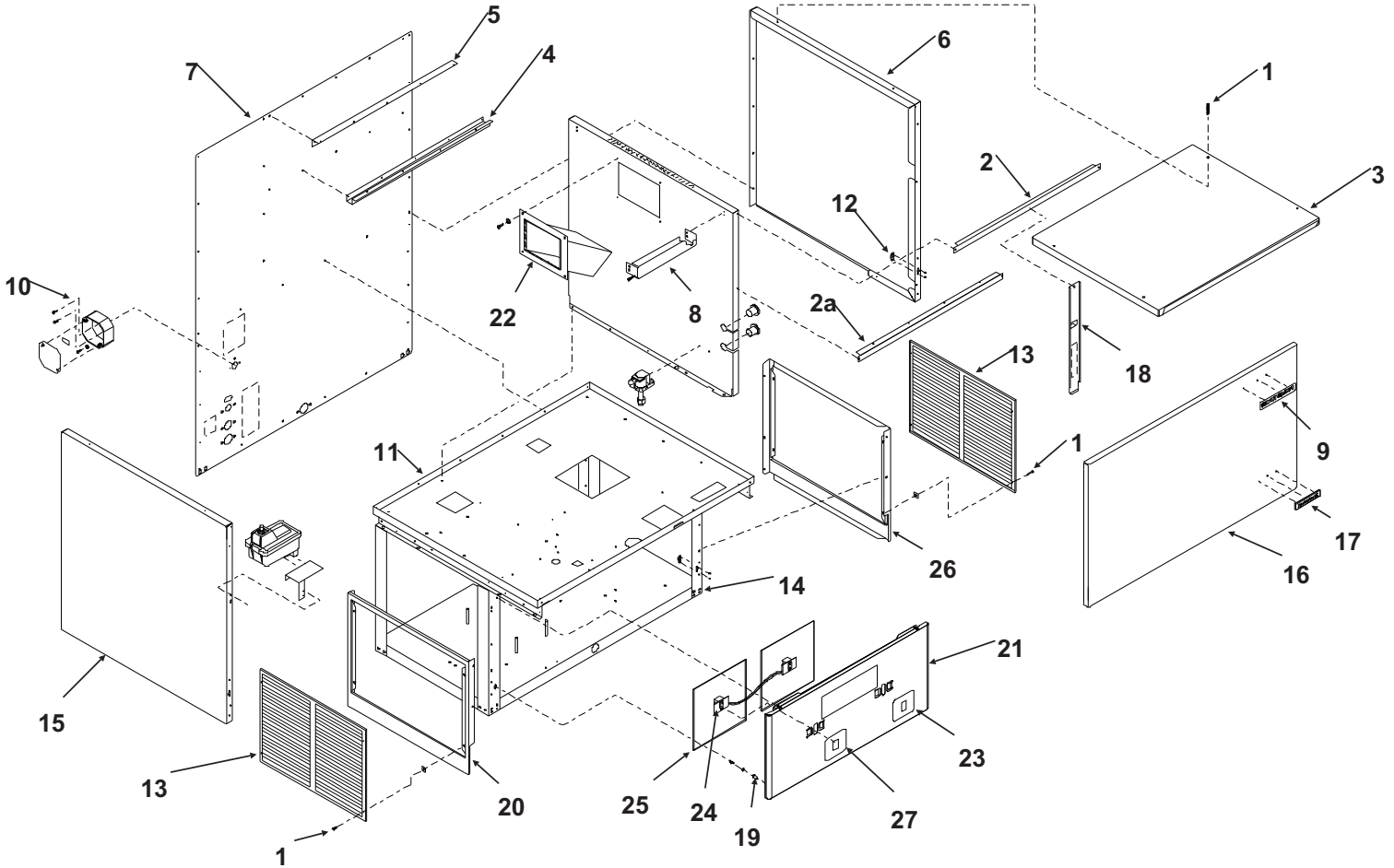
Note: The liquid line filter drier listed in this parts list is designed for this refrigeration system. Premature failure may result if the wrong drier is used.

TABLE OF CONTENTS

| | |
|----------------------------|---------|
| Cabinet | PAGE 2 |
| Hopper | PAGE 3 |
| Sink | PAGE 4 |
| Ice Chute and Dispensing | PAGE 5 |
| Air Cooled Refrigeration | PAGE 6 |
| Water Cooled Refrigeration | PAGE 7 |
| Water System | PAGE 8 |
| Evaporator | PAGE 9 |
| Gearmotor | PAGE 10 |
| Control Box | PAGE 11 |

GEMD790 SERVICE PARTS

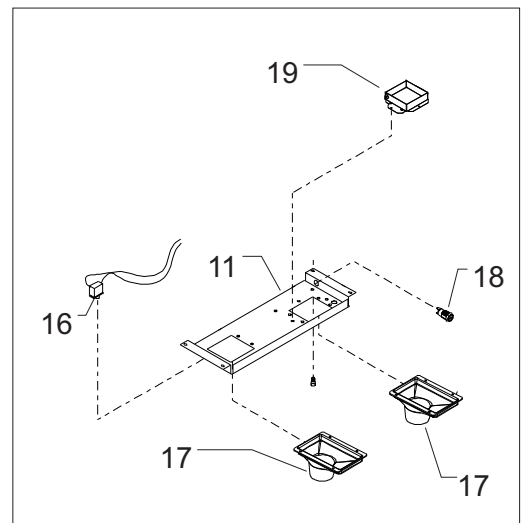
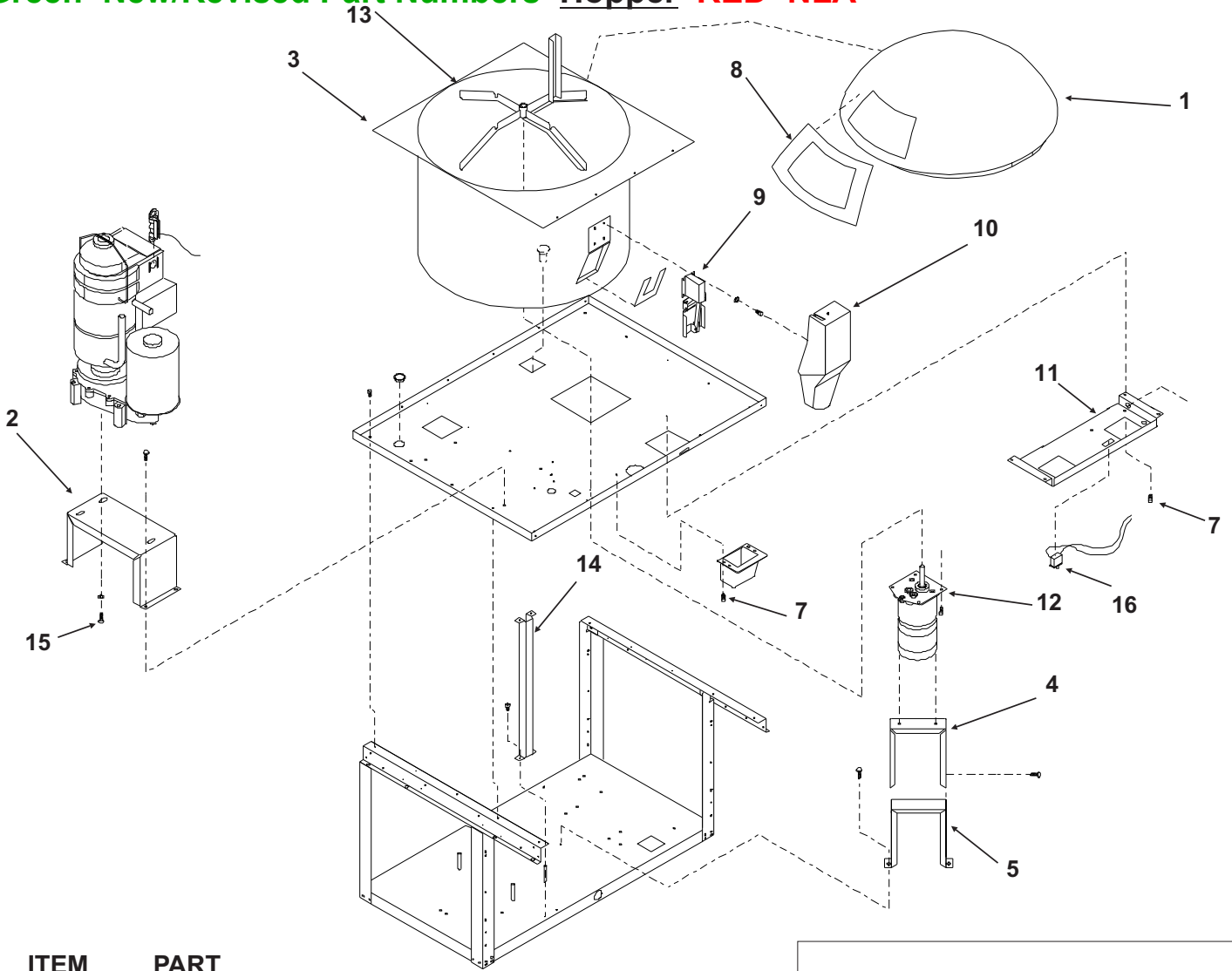
Green=New/Revised Part Numbers Cabinet RED=NLA



| ITEM NUMBER | PART NUMBER | DESCRIPTION |
|-------------|-------------|-----------------------------------|
| 1 | 9031045-07 | S.S. Screw |
| 2 | 1011447-153 | Upper Brace |
| 2a | 1011447-152 | Upper brace |
| 3 | 1011447-139 | Top panel, stainless |
| 4 | 1011447-154 | Bin support |
| 5 | 1011447-130 | Bin support brace |
| 6 | 1011447-183 | Rt. side upper panel |
| 7 | 1011447-132 | Back panel, stainless |
| 8 | 1011447-129 | Upper brace |
| 9 | 9071974-01 | Emblem |
| 10 | 9031046-27 | Screw |
| 11 | 1011447-137 | Upper Plate |
| 12 | 1011447-39 | Retainer for ball stud |
| 13 | 1011447-134 | Service Panel, stainless |
| 14 | 1011447-133 | Lower frame assy |
| 15 | 1011447-182 | Left side panel, upper |
| 16 | 1011447-174 | Upper front panel, s s |
| 17 | 1011447-68 | Emblem, Touch Free |
| 18 | 1011447-157 | Bracket |
| 19 | 1011351-40 | Ball stud |
| | 1011447-39 | Catch for stud (riveted to panel) |
| 20 | 1011447-135 | Lower left side panel |
| 21 | 1011447-175 | Splash panel |
| 22 | 1011447-13 | Ice chute |
| 23 | 1011447-78 | Touch free ice label |
| 24 | 1011447-52 | Sensor set |
| 25 | 1011447-99 | Insulation pad |
| 26 | 1011447-136 | Rt. side lower panel |
| 27 | 1011447-79 | Touch free water label |

GEMD790 SERVICE PARTS

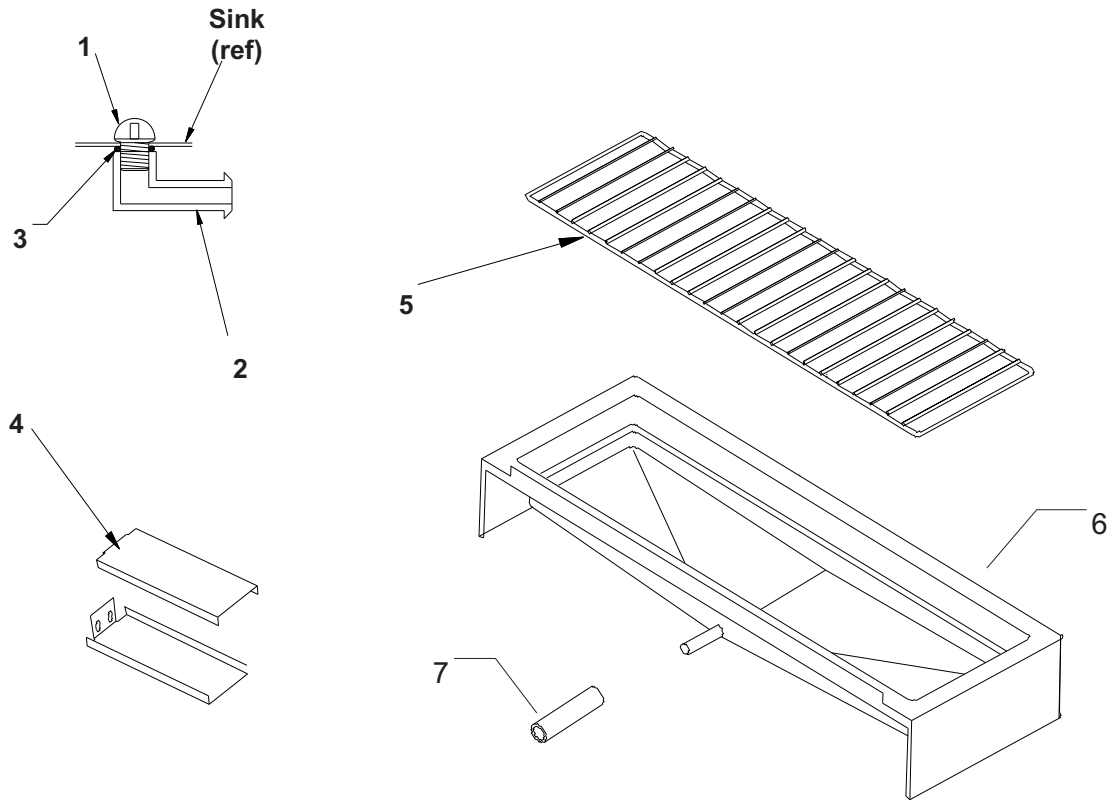
Green=New/Revised Part Numbers Hopper RED=NLA



| ITEM NUMBER | PART NUMBER | DESCRIPTION |
|-------------|-------------|--------------------------------|
| 1 | 1011447-156 | Ice bin cover |
| 2 | 1011447-138 | Evap. support bracket |
| 3 | 1011447-141 | Ice Storage Bin |
| 4 | 1011447-149 | Agit mtr support, upper |
| 5 | 1011447-150 | Agit mtr support, lower |
| 6 | | |
| 7 | 9031046-27 | Screw |
| 8 | 1011447-67 | Grommet |
| 9 | 1011447-16 | Door gasket |
| 10 | 1011447-158 | Ice chute |
| 11 | 1011447-184 | Bracket |
| 12 | 1011447-48 | Dispense motor assembly |
| | 1011447-104 | Heater for dispense gear motor |
| 13 | 1011447-14 | Agitator |
| 14 | 1011447-131 | Brace |
| 15 | 1011447-29 | Screw |
| 16 | 1011447-54 | Touch free disable switch |
| 17 | 1011447-25 | Spout |
| 18 | 1011447-49 | Switch |
| 19 | 1011447-186 | Chute extension |

GEMD790 SERVICE PARTS

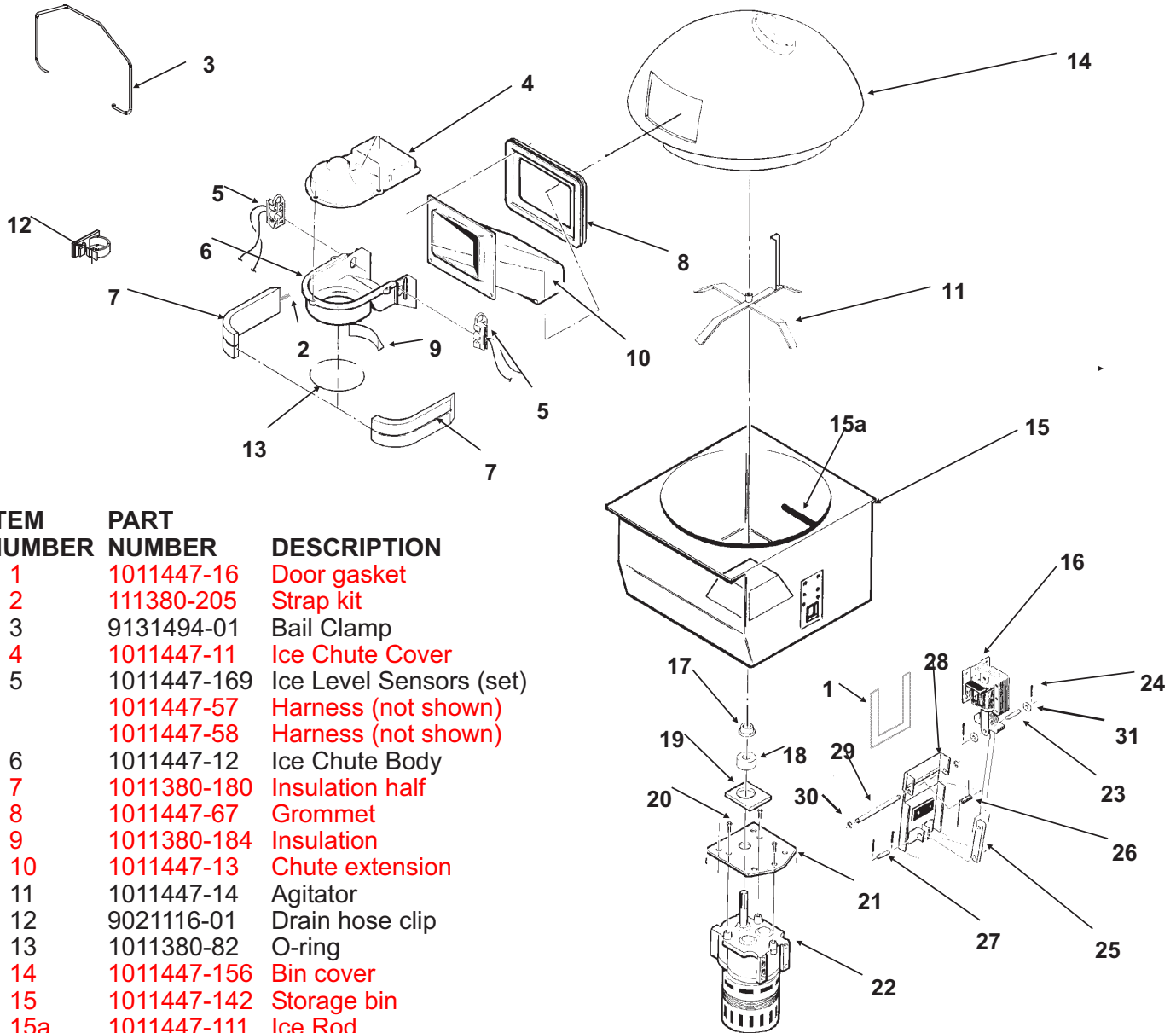
Green=New/Revised Part Numbers Sink RED=NLA



| ITEM NUMBER | PART NUMBER | DESCRIPTION |
|-------------|-------------|---|
| 1 | 1011339-18 | Drain top |
| 2 | 1011447-01 | Drain btm |
| 3 | 1011339-95 | O-ring |
| 4 | 1011447-145 | Right sink support |
| | 1011447-144 | Sink support left |
| | 1011339-74 | Screw 1/4 20 x 1/2" |
| 5 | 1011447-05 | Grill |
| 6 | 1011447-100 | Sink assembly, includes items 1, 2 and 3. |
| 7 | 1011447-64 | Tube, need 33" |

GEMD790 SERVICE PARTS

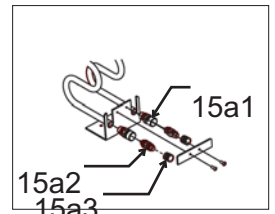
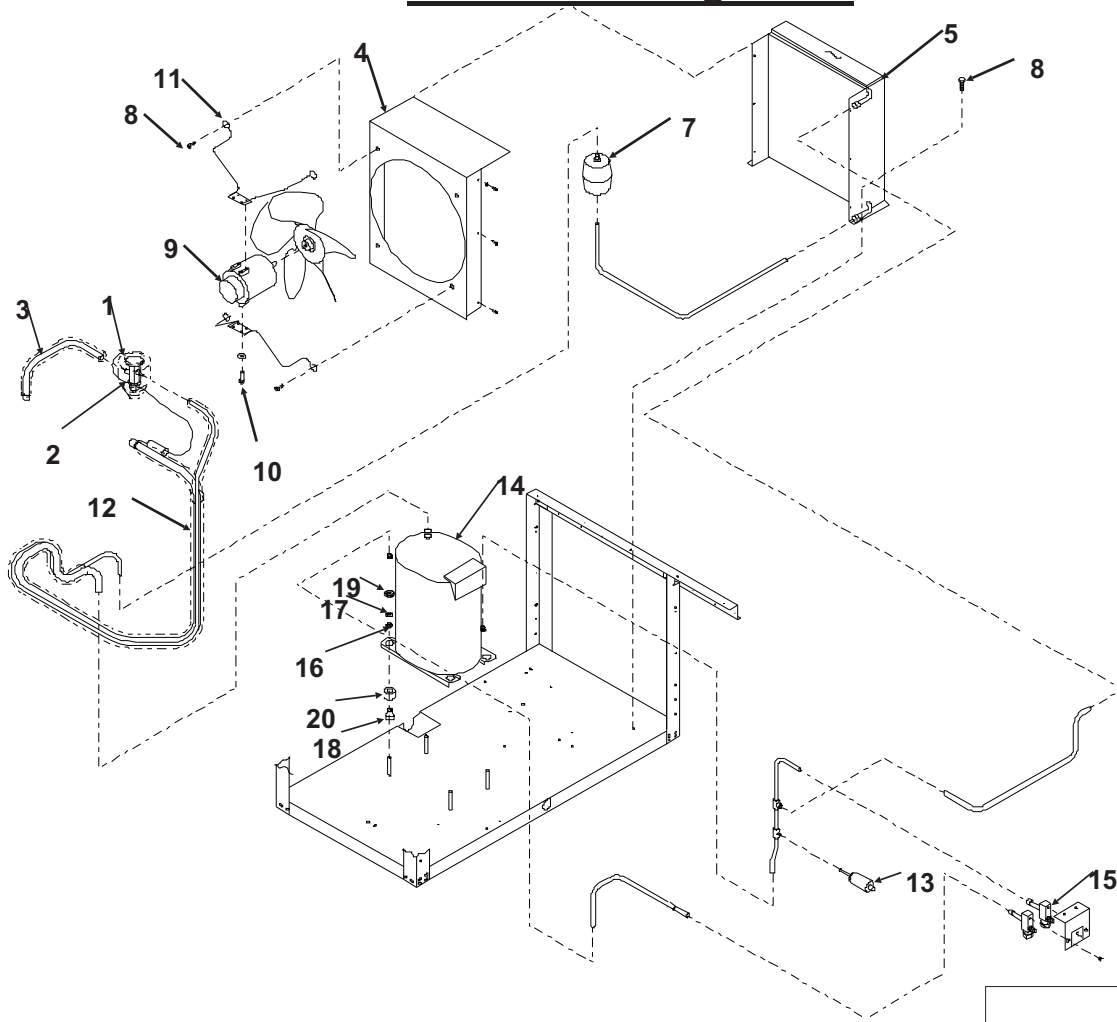
Green=New/Revised Part Numbers Ice Chute and Dispensing **RED=NLA**



| ITEM NUMBER | PART NUMBER | DESCRIPTION |
|-------------|-------------|-------------------------|
| 1 | 1011447-16 | Door gasket |
| 2 | 111380-205 | Strap kit |
| 3 | 9131494-01 | Bail Clamp |
| 4 | 1011447-11 | Ice Chute Cover |
| 5 | 1011447-169 | Ice Level Sensors (set) |
| | 1011447-57 | Harness (not shown) |
| | 1011447-58 | Harness (not shown) |
| 6 | 1011447-12 | Ice Chute Body |
| 7 | 1011380-180 | Insulation half |
| 8 | 1011447-67 | Grommet |
| 9 | 1011380-184 | Insulation |
| 10 | 1011447-13 | Chute extension |
| 11 | 1011447-14 | Agitator |
| 12 | 9021116-01 | Drain hose clip |
| 13 | 1011380-82 | O-ring |
| 14 | 1011447-156 | Bin cover |
| 15 | 1011447-142 | Storage bin |
| 15a | 1011447-111 | Ice Rod |
| 16 | 1011339-157 | Door solenoid |
| 17 | 1011447-110 | Seal |
| 18 | 1011447-109 | Foam seal (round) |
| 19 | 1011447-108 | Foam seal |
| 20 | 1011447-36 | Screw |
| 21 | 1011447-143 | Plate |
| 22 | 1011447-48 | Gearmotor Assy |
| | 1011447-104 | Heater for gearmotor |
| 23 | 1011339-158 | Linkage pins, med. |
| 24 | 1011339-153 | Cotter pin |
| 25 | 1011447-15 | Solenoid linkage |
| 26 | 1011339-159 | Door spring |
| 27 | 1011447-107 | Linkage pins, small |
| 28 | 1011447-112 | Door |
| 29 | 1011447-106 | Long Axle |
| 30 | 1011369-11 | "C" Clip |
| 31 | 1011339-52 | Washer |

GEMD790 SERVICE PARTS

Green=New/Revised Part Numbers Air Cooled Refrigeration **RED=NLA**



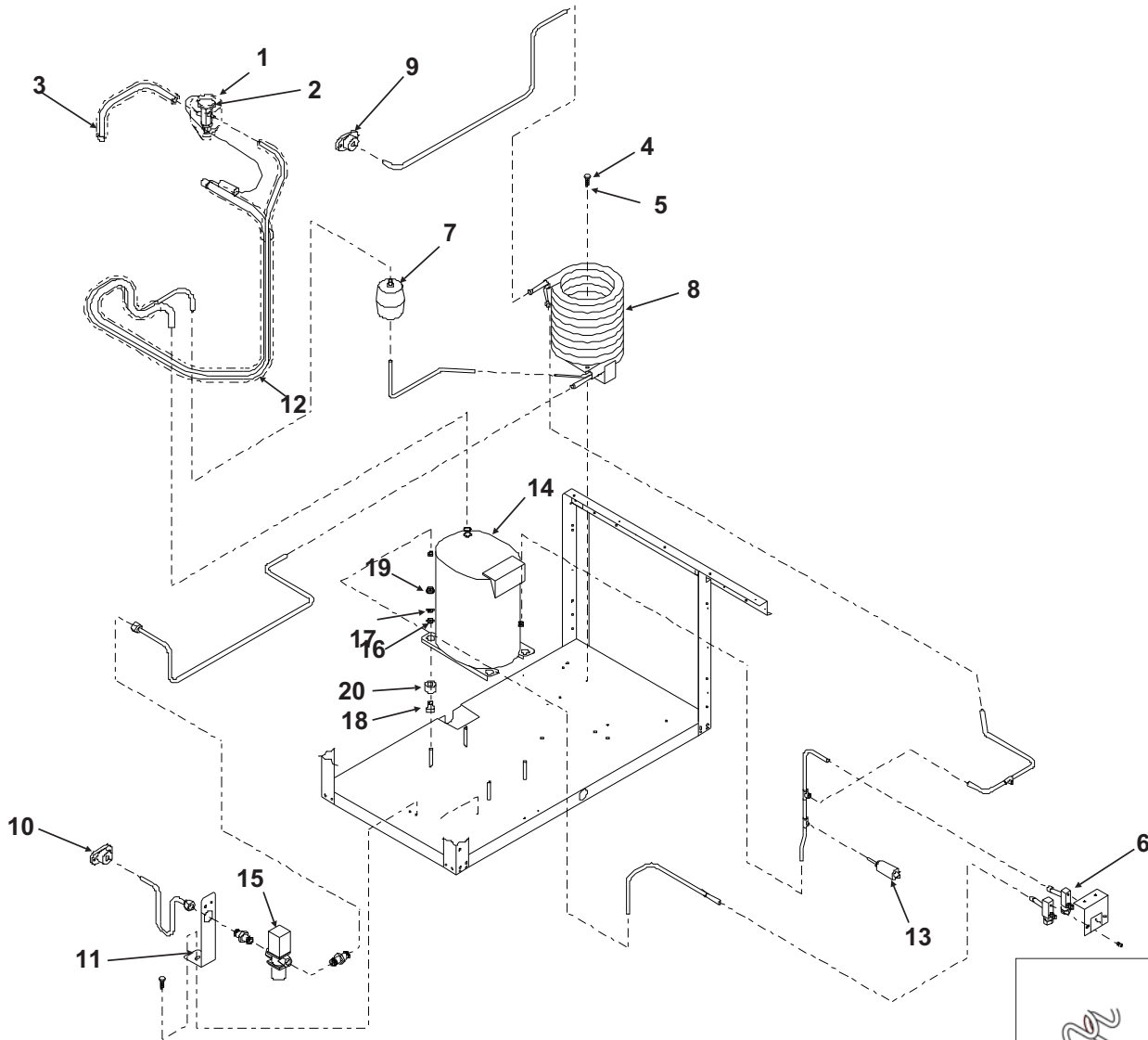
| ITEM NUMBER | PART NUMBER | DESCRIPTION |
|-------------|-------------|------------------------|
| 1 | 1011447-27 | Insulation |
| 2 | 9151161-01 | Thermo expansion valve |
| 3 | ref only | Evaporator inlet |
| 4 | 1011447-159 | Fan shroud |
| 5 | 1011447-87 | Condenser |
| 6 | 1011380-120 | Fan blade |
| 7 | 9151163-03 | Drier |
| 8 | 1011339-74 | Screw |
| 9 | 1011447-86 | Fan Motor |
| 10 | 1011339-71 | Screw |
| 11 | 1011380-20 | Fan motor bracket |
| 12 | 1011447-160 | Suction line |
| 13 | 9041091-01 | Hi press. cut out |
| 14 | 1011447-96 | Compressor |
| | 1011447-97 | Overload for above |

| ITEM NUMBER | PART NUMBER | DESCRIPTION |
|-------------|-------------|--------------|
| 15 | | |
| 16 | 1011339-53 | Washer |
| 17 | 1011339-63 | Lockwasher |
| 18 | 9181002-09 | Grommet |
| 19 | 1011447-31 | Hex nut |
| 20 | 9181002-02 | Metal sleeve |

| | | |
|------|------------|-------------------|
| 15a1 | 9091086-01 | Access valve seat |
| 15a2 | 9091086-02 | Access valve core |
| 15a3 | 9091086-03 | Cap |

GEMD790 SERVICE PARTS

Green=New/Revised Part Numbers Water Cooled Refrigeration RED=NLA



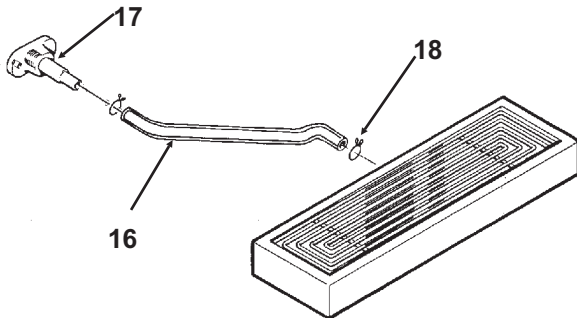
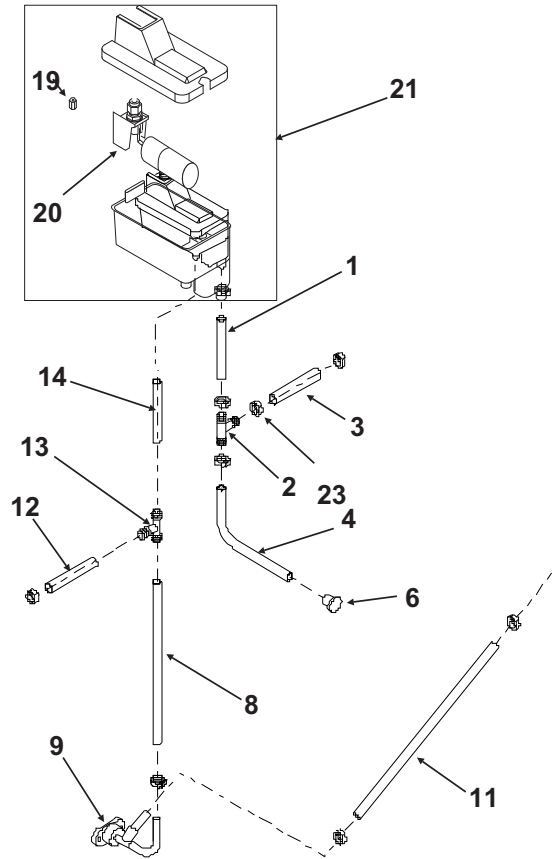
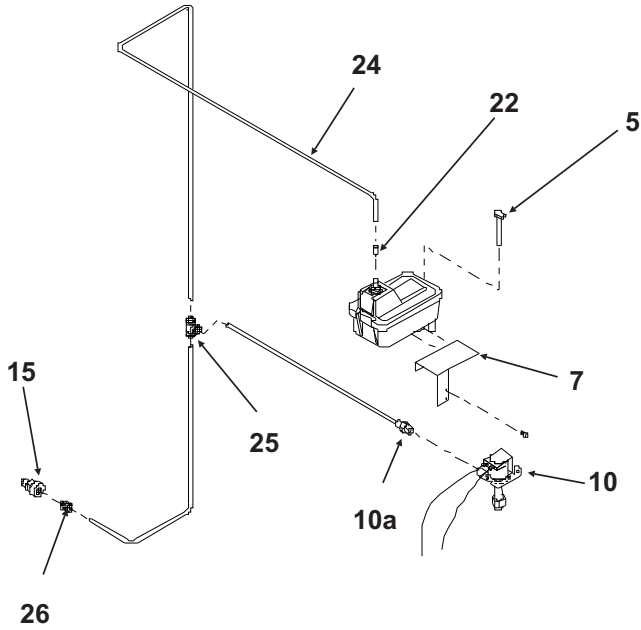
| ITEM NUMBER | PART NUMBER | DESCRIPTION |
|-------------|-------------|------------------------|
| 1 | 1011447-27 | Insulation |
| 2 | 9151161-01 | Thermo expansion valve |
| 3 | no number | Evap inlet tube |
| 4 | 1011339-74 | Screw |
| 5 | 1011447-32 | Washer |
| 6 | | |
| 7 | 9151163-03 | Drier |
| 8 | 9141141-01 | WC condenser |
| 9 | 1011447-75 | Adaptor flange |
| 10 | 1011447-76 | Adaptor flange |
| 11 | 1014447-140 | Bracket |
| 12 | A35949-001 | Suction line |
| 13 | 9041091-01 | Hi press. cut out |
| 14 | 1011447-96 | Compressor |
| | 1011447-97 | Overload for above |

| ITEM NUMBER | PART NUMBER | DESCRIPTION |
|-------------|-------------|------------------|
| 15 | 1011447-41 | Water reg. valve |
| 16 | 1011339-53 | Washer |
| 17 | 1011339-63 | Lockwasher |
| 18 | 9181002-09 | Grommet |
| 19 | 1011447-31 | Hex nut |
| 20 | 9181002-02 | Metal sleeve |

| Access valve | | |
|--------------|------------|-------------------|
| 6a1 | 9091086-01 | Access valve seat |
| 6a2 | 9091086-02 | Access valve core |
| 6a3 | 9091086-03 | Cap |

GEMD790 SERVICE PARTS

Green-New/Revised Part Numbers Water System RED=NLA



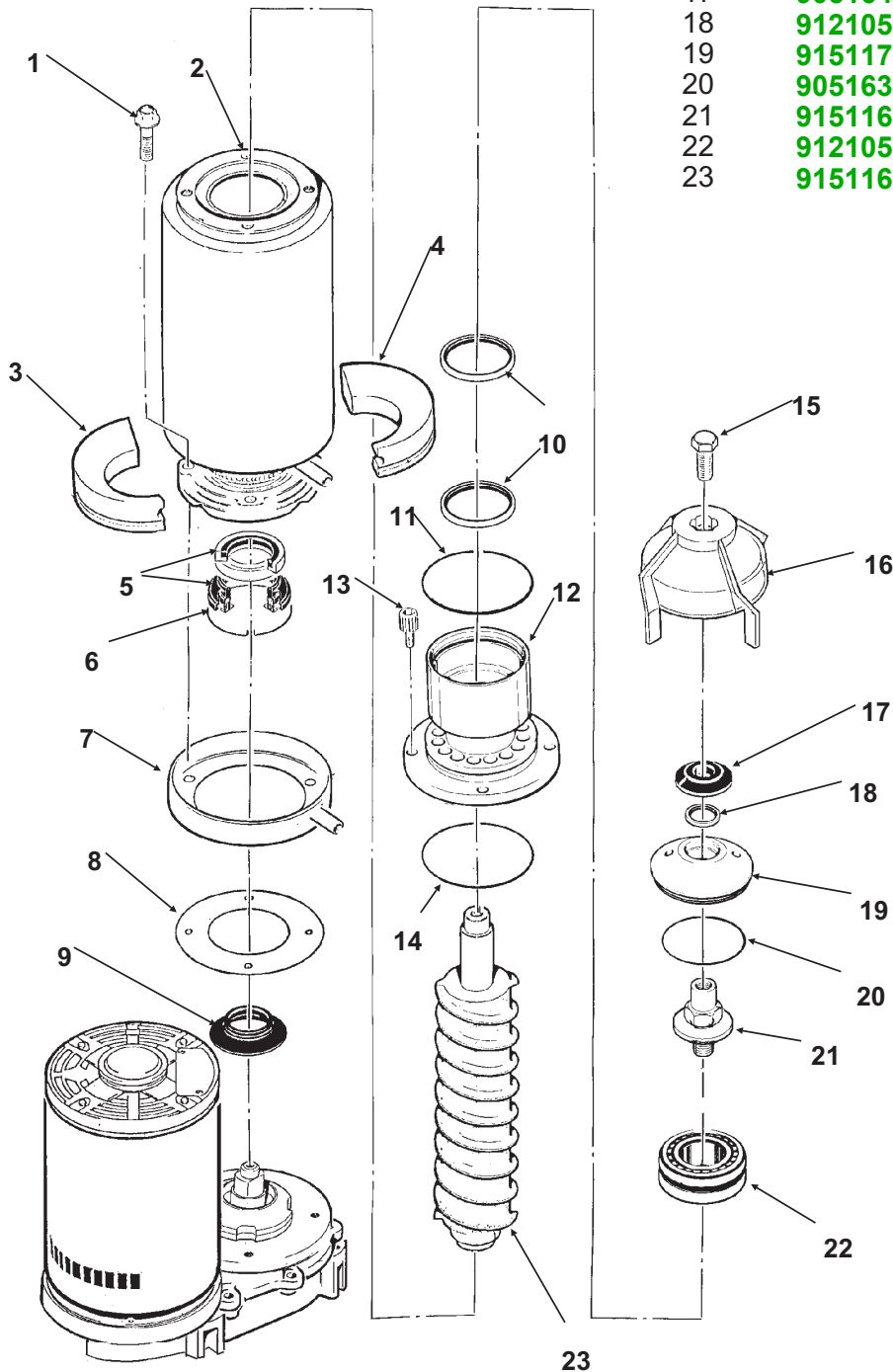
| ITEM NUMBER | PART NUMBER | DESCRIPTION |
|-------------|-------------|--------------------------------|
| 1 | 1011447-63 | Tubing, 11" req. |
| 2 | 1011447-70 | Tee |
| 3 | 1011447-40 | Evap. inlet tubing (preformed) |
| 4 | 1011447-63 | Tubing, 11" req. |
| 5 | 1011447-122 | Water sensor |
| 6 | 9051610-01 | Rubber plug |
| 7 | 1011447-161 | Reservoir bracket |
| 8 | 1011447-62 | Drain tubing, 25" req. |
| 9 | 1011447-102 | Drain assy |
| 10 | 1011447-46 | Inlet water valve |
| 10a | 1011447-74 | Connector |
| 11 | 1011447-63 | Drain tubing 24" req. |
| 12 | 1011447-62 | Drain tubing 4" req. |
| 13 | 1011447-71 | Tee |
| 14 | 1011447-62 | Drain tubing 24" req. |
| 15 | 1011351-74 | Water inlet fitting |
| 16 | 1011447-64 | Sink drain tube 33" req. |
| 17 | 1011447-23 | Drain casting for sink drain |
| 18 | 1011339-19 | Hose clamp |
| 19 | N/A | Plunger/seat |
| 20 | N/A | Float valve |
| 21 | 1011447-21 | Reservoir, incl 19, 20 |
| 22 | 1011380-99 | Insert |
| 23 | 1011351-03 | Hose clamp |
| 24 | 3032898-40S | Hose |
| 25 | 1011447-73 | Tee |
| 26 | 1011351-75 | Connector |

GEMD790 SERVICE PARTS

Green=New/Revised Part Numbers Evaporator **RED=NLA**

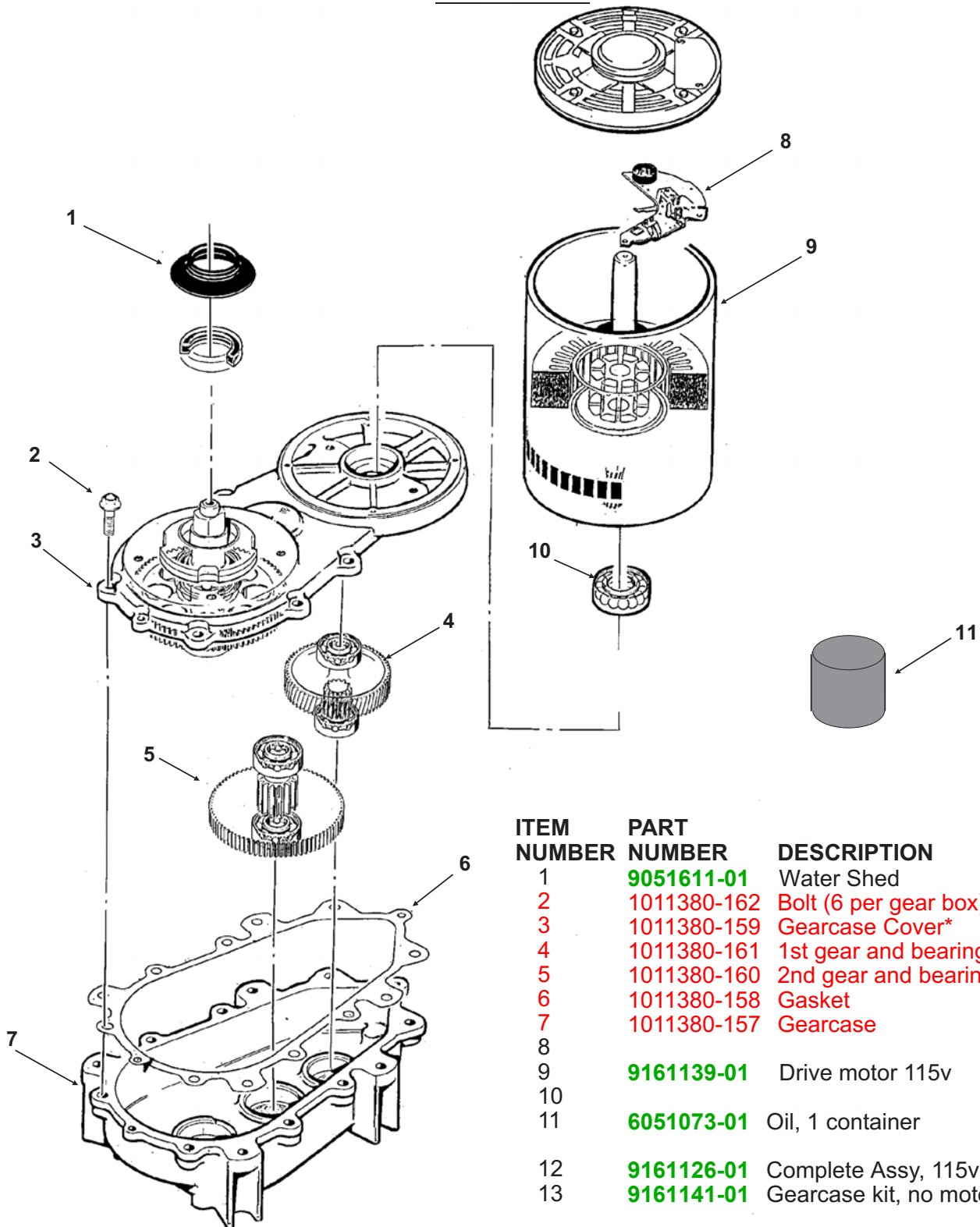
| ITEM NUMBER | PART NUMBER | DESCRIPTION |
|-------------|-------------|-------------------------|
| 1 | 1011380-43 | Cap Screw |
| | 1011447-34 | Lockwasher |
| 2 | 9151170-01 | Evaporator |
| 3 | 1011447-108 | Insulation half |
| 4 | 1011380-179 | Insulation half |
| 5 | 9021142-01 | Water seal |
| 6 | 9021141-01 | Retaining ring for seal |
| 7 | 9051632-01 | Drip pan |

| ITEM NUMBER | PART NUMBER | DESCRIPTION |
|-------------|-------------|---|
| 8 | 9131486-01 | Gasket |
| 9 | 9051611-01 | Water shed |
| 10 | 9121053-01 | Lip Seal |
| 11 | 9051635-01 | O-Ring |
| 12 | 1051220-01 | Breaker (incl.10,11,14,22 17,18,19,20) |
| 13 | 9031169-02 | Soc. head screw |
| 14 | 9051636-01 | O-ring |
| 15 | 9031001-42 | Hex cap screw |
| 16 | 9051603-01 | Ice sweep |
| 17 | 9051640-01 | Water shed |
| 18 | 9121053-01 | Lip seal |
| 19 | 9151171-01 | Breaker cover |
| 20 | 9051634-01 | O-ring |
| 21 | 9151168-01 | Auger stud |
| 22 | 9121052-01 | Bearing |
| 23 | 9151167-01 | Auger |



GEMD790 SERVICE PARTS

Green=New/Revised Part Numbers Gearmotor **RED=NLA**

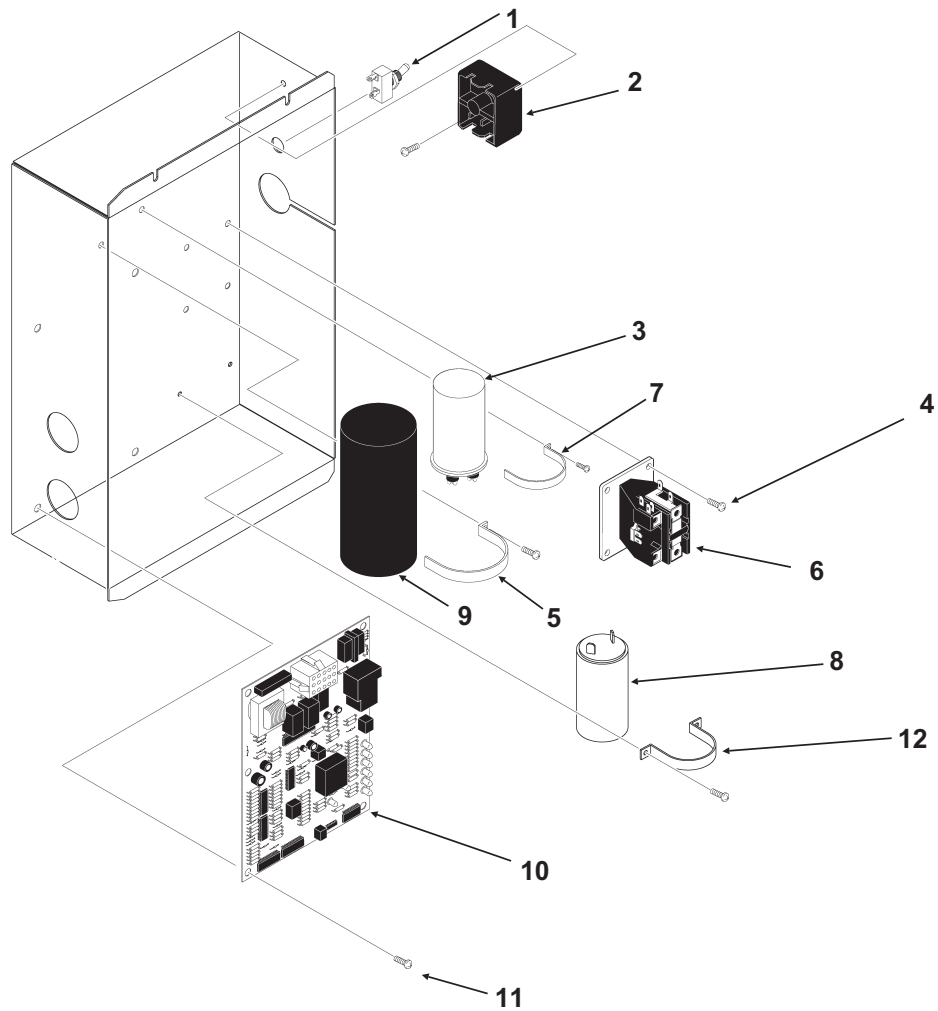


| ITEM NUMBER | PART NUMBER | DESCRIPTION |
|-------------|--------------------|------------------------|
| 1 | 9051611-01 | Water Shed |
| 2 | 1011380-162 | Bolt (6 per gear box) |
| 3 | 1011380-159 | Gearcase Cover* |
| 4 | 1011380-161 | 1st gear and bearings |
| 5 | 1011380-160 | 2nd gear and bearings |
| 6 | 1011380-158 | Gasket |
| 7 | 1011380-157 | Gearcase |
| 8 | | |
| 9 | 9161139-01 | Drive motor 115v |
| 10 | | |
| 11 | 6051073-01 | Oil, 1 container |
| 12 | 9161126-01 | Complete Assy, 115v |
| 13 | 9161141-01 | Gearcase kit, no motor |

* Note: Gearcase cover includes cover, output shaft, key, output gear, bearings and seal.

GEMD790 SERVICE PARTS

Green=New/Revised Part Numbers Control Box RED=NLA



| ITEM NUMBER | PART NUMBER | DESCRIPTION |
|-------------|-------------|-------------------------------|
| 1 | 1011339-78 | Toggle switch |
| 2 | 1011447-84 | Start relay, |
| 3 | 1011447-82 | Run capacitor for compressor, |
| 4 | 9031046-27 | Screw |
| 5 | 3013381-01 | Capacitor bracket |
| 6 | 9101002-07 | Contactors 115v |
| 7 | 3013381-01 | Capacitor bracket |
| 8 | 1011339-103 | Run capacitor-bin drive motor |
| 9 | 1011447-81 | Start capacitor |
| 10 | 1011447-59 | Circuit board |
| 11 | 1011447-128 | Standoff |

NOT ILLUSTRATED

| | | |
|----|-------------|-------------------|
| 12 | 1011447-151 | Control box cover |
|----|-------------|-------------------|

| <u>Number</u> | <u>Description</u> | <u>Replaced By</u> |
|---------------|--------------------------------------|--------------------|
| 1011380-02 | WATER SEAL | 9021142-01 |
| 1011380-10 | LIP SEAL | 9121053-01 |
| 1011380-11 | LIP SEAL | 9121054-01 |
| 1011380-13 | BREAKER COVER | 9151171-01 |
| 1011380-163 | OIL 1 CONTAINER | 6051073-01 |
| 1011380-168 | RETAINING RING | 9021141-01 |
| 1011380-172 | EVAPORATOR TALL | 9151169-01 |
| 1011380-175 | BREAKER | 1051220-01 |
| 1011380-178 | XINSULATION COLLAR R/B-1011447-193** | 1011447-193 |
| 1011380-179 | INSULATION COLLAR R/B-1011447-193** | 1011447-193 |
| 1011380-186 | GEARMOTOR ASSY 115V | 9161126-01 |
| 1011380-187 | GEARMOTOR ASSY 230V | 9161127-01 |
| 1011380-189 | GEARCASE KIT | 9161141-01 |
| 1011380-202 | BEARING | 9121052-01 |
| 1011380-225 | AUGER | 9151167-01 |
| 1011380-226 | AUGER | 9151196-01 |
| 1011380-230 | GREASE NEEDLE | 9131560-01 |
| 1011380-27 | DRIP PAN | 9051632-01 |
| 1011380-37 | CAP SCREW | 9031001-42 |
| 1011380-38 | HEX CAP SCREW | 9031001-42 |
| 1011380-44 | SOCKET HEAD SCREW | 9031169-02 |
| 1011380-46 | AUGER STUD | 9151168-01 |
| 1011380-67 | DRIVE MOTOR 115V | 9161139-01 |
| 1011380-68 | DRIVE MOTOR 208-230V | 9161140-01 |
| 1011380-80 | O-RING | 9051636-01 |
| 1011380-81 | O-RING | 9051634-01 |
| 1011380-82 | O-RING | 9051635-01 |
| 1011380-83 | DRIP PAN GASKET | 9131486-01 |
| 1011380-85 | WATER SHED | 9051611-01 |
| 1011380-86 | WATER SHED | 9051640-01 |
| 1011382-01 | BREAKER HEAD MFI | 1051221-01 |
| 1011382-02 | SLOTTED COLLAR | 9051638-01 |
| 1011382-04 | O-RING | 9051637-01 |
| 1011382-09 | EVAPORATOR SHORT | 9151170-01 |
| 1011447-193 | INSULATION | 9021140-01 |
| 9131496-01 | FREEZER ASSY FLA SM 115V | 2081044-01 |
| 9131496-02 | X FREEZER ASSY NUG SM 115V | 2081044-02 |
| 9131496-03 | FREEZER ASSY FLA SM 230V | 2081044-03 |
| 9131496-04 | FREEZER ASSY NUG SM 230V | 2081044-04 |
| 9131496-05 | FREEZER ASSY FLA LG 230V | 2081044-05 |
| 9131496-06 | X FREEZER ASSY NUG LG 230V | 2081044-06 |