

27 GC SERIES-GC300-GC550 AIR AND WATER COOLED

Item Code	PART DESCRIPTION	PART NUMBER	GRP	GC 300	GC 306	GC 550
AIR COOLED						
5	Air Condenser	9141102-01	AC	X		X
10	Condenser Fan Blade	9131225-01	AC	X	X	X
15	Condenser Fan Motor	9161089-02	AC	X		X
15	Condenser Fan Motor	9161089-03	AC		X	X
20	Fan Motor Bracket (From 8/94)	3012527-01	AC	X		X
25	Rear Screen	9131286-01	AC	X		X
COMPRESSOR AND COMPONENTS (*Kit Includes Drier and Start Components)						
100	*Compressor Kit-Copeland RS43CIE-IAA-214	9181086-11	C	X		
100	*Compressor GC306 RS43CIE-IAV-214	9181086-12	C		X	
100	*Compressor Kit-Copeland RS64CIE-PAA-214	9181085-11	C			X
102	Overload	9181005-12	C	X	X	X
105	Run Capacitor	9181009-17	C			X
110	Start Capacitor	9181003-26	C			X
110	Start Capacitor	9181003-17	C	X		
110	Start Capacitor	9181003-05	C		X	
115	Start Relay	9181004-07	C		X	
115	Start Relay	9181010-12	C			X
115	Start Relay	9181010-14	C	X		
ELECTRICAL-FROM DECEMBER 1994 (Z4) (CIRCUIT BOARD)						
200	Bin Control Thermostat	9041004-06	E	X		X
205	Circuit Board (With Adjustable Purge)	9101293-01	E	X	X	X
	Circuit Board Fuse (9101283-01)	9101236-01	E	X		X
	Circuit Board Kit (Board and Contactor)(Before 4/96)	1051091-01	E	X	X	X
210	Contactor (115V) (Off Board)	9101002-03	E	X		X
210	Contactor (230V) (Off Board)	9101002-04	E		X	
215	Fill Switch	9101139-03	E	X		X
220	High Temp Safety	9041087-02	E	X		X
225	Ice/Off/Wash Switch	9101195-01	E	X		X
230	Purge Switch	9101139-03	E	X		X
235	Thermister Assembly (For 9101283-01)	9101150-06	E	X	X	X
235	Thermister Assembly (For 9101293-01)	9101150-06	E	X	X	X
240	Thermostatic Timer Initiate	9041004-05	E	X		X
ELECTRICAL-PRIOR TO DECEMBER 1994 (RELAYS)						
200	Bin Control Thermostat (Prim. & Sec.)	9041004-02	E	X		X
210	Contactor	9101002-03	E	X		X
215	Switch-Fill	9101139-03	E	X		X
220	High Temp Safety	9041087-02	E	X		X
225	Ice/Off/Wash Switch	9101195-01	E	X		X
230	Purge Switch	9101139-03	E	X		X
235	Thermister	9101150-06	E	X		X
240	Thermostatic Timer Initiate	9041004-05	E	X		X
245	Relay Socket (2 Pole)	9101083-01	E	X		X
246	Relay Socket (3 Pole)	9101205-01	E	X		X
250	Relay (2 Pole)	9101084-01	E	X		X
251	Relay (3 Pole)	9101204-01	E	X		X
255	Timer-Harvest	9101206-01	E	X		X
260	Timer-Purge	9101148-01	E	X		X
265	Timer-Freeze	9101148-01	E	X		X

27 GC SERIES-GC300-GC550 AIR AND WATER COOLED

Item Code	PART DESCRIPTION	PART NUMBER	GRP	GC 300	GC 306	GC 550
MISCELLANEOUS						
300	Air Filters (3 Filters)	NLA	M	X	X	X
305	Air Filter Brackets	NLA	M	X	X	X
310	Baffle (For 6" Clearance)	NLA	M	X	X	X
315	Clip-Front Water Pan	3012670-01	M	X	X	X
320	Clip-Rear Water Pan	3012671-01	M	X	X	X
325	Evaporator Support-Bottom	3012429-01	M	X	X	X
330	Evaporator Support-Top	3012661-01	M	X	X	X
335	Standoff-Circuit Board	9031147-01	M	X	X	X
	Hot Gas Valve-(Replaces SAG Valve)	1051081-01	M	X		X
	Purge Kit For Hard Water Areas (115V.)	1051090-01	M	X		X
PANELS						
400	Cover Compressor Compartment	3012633-01	P	X	X	X
401	Enclosure Front Panel	3012623-01	P	X	X	X
405	Front Panel Assembly - Plastic	2031460-01	P	X	X	X
415	Side Panel-With Louvers	9051314-01	P	X	X	X
420	Side Panel-Without Louvers (Plastic)	2101260-01	P	X	X	X
425	Splash Shield	2101276-01	P	X	X	X
430	Top Panel Assembly - Plastic	9051451-01	P	X	X	X
REFRIGERATION						
500	Crankcase Pressure Regulator (GC 550 AIR ONLY)	9151086-01	REF			X
501	Evaporator Assembly	2051200-01	REF	X	X	X
505	Fan Cycle Control	9041003-03	REF	X	X	X
510	Filter Drier	9151004-05	REF	X	X	X
515	High Pressure Control (450PSI)	9041051-04	REF	X	X	X
520	Hot Gas Valve Body-Alco (SB01-03b)	9151123-01	REF	X	X	X
521	Hot Gas Valve Coil-Alco230V (9151123-101)	9151123-04	REF		X	
521	Hot Gas Valve Coil-Alco115V (9151123-101)	9151123-03	REF	X		X
521	Hot Gas Valve Coil Only-Parker (115 V)	9151091-91	REF	X		X
521	Hot Gas Valve Coil Only-Parker (230 V)	9151091-92	REF		X	
525	Hot Gas Valve Strainer	9151087-01	REF	X	X	X
530	Service Valve Cap	9091086-03	REF	X	X	X
531	Service Valve Core	9091086-02	REF	X	X	X
532	Service Valve Stem	9091086-01	REF	X	X	X
535	TXV Assembly (Includes TXV and Tubing)	2041623-02	REF			X
535	TXV Assembly (Includes TXV and Tubing)	2041590-01	REF	X	X	
540	#TXV Only (Y958-BIS-1/4)	9151006-09	REF	X	X	
540	#TXV Only (Y958-BISE-1)	9151006-11	REF			X
WATER COOLED						
570	Drain Fitting	2041454-04	WC	X	X	X
575	Water Condenser	9141061-01	WC	X	X	
575	Water Condenser	9141061-02	WC			X
580	Water Regulating Valve	9041059-01	WC	X	X	X
WATER DISTRIBUTION						
800	Ice Rack	9131338-01	WD	X	X	X
805	Sump Gasket	9051285-01	WD	X	X	X
810	Water Distribution Pan	9051342-01	WD	X	X	
810	Water Distribution Pan	9051342-02	WD			X
815	Water Distributor	9051269-01	WD	X	X	X
820	Water Pump Tube (Cut To Length=23 Inches)	6021015-07	WD	X	X	X

27 GC SERIES-GC300-GC550 AIR AND WATER COOLED

Item Code	PART DESCRIPTION	PART NUMBER	GRP	GC 300	GC 306	GC 550
-----------	------------------	-------------	-----	--------	--------	--------

Item Code	PART DESCRIPTION	PART NUMBER	GRP	GC 300	GC 306	GC 550
-----------	------------------	-------------	-----	--------	--------	--------

WATER FLOAT ASSEMBLY						
850	Water Inlet	9051317-01	WF	X	X	X
851	Float Housing	9051270-01	WF	X	X	X
853	Float Housing Gasket	9051341-01	WF	X	X	X
855	Float Housing Screws	9031122-01	WF	X	X	X
857	Water Float Switch	2061685-91	WF	X	X	X
859	Water Float Assy (See Housing and Float Switch)	NLA	WF	X	X	X

WATER INLET VALVE						
870	Water Inlet Valve	9041071-02	WI	X		X
870	Water Inlet Valve	9041071-03	WI		X	
871	Water Inlet Tube (2.5 FT., 1/2 X 1/8 Clear Tubing)	6021015-02	WI	X		X

WATER PUMP						
880	Water Pump Assembly (With Restrictor)	2061675-04	WP			X
880	Water Pump Assembly (With Restrictor)	2061675-13	WP		X	
880	Water Pump Assembly (With Restrictor)	2061675-03	WP	X		
881	Water Pump Base	9051262-02	WP	X	X	X
883	Water Pump Housing	9051262-01	WP	X	X	X
885	Water Pump Impeller	9051260-01	WP	X	X	X
886	Water Pump Impeller Spring	9131230-01	WP	X	X	X
887	Water Pump Motor Only	9161088-03	WP	X	X	X
887	Water Pump Motor Only	9161088-01	WP		X	
889	Water Pump Outlet Restrictor (.335 DIA.)	9051259-01	WP	X	X	
889	Water Pump Outlet Restrictor (.438 DIA.)	9051259-03	WP			X

WATER PURGE VALVE						
890	Water Purge Valve (115V)	9041014-11	WPV	X		X
890	Water Purge Valve (230V)	9041014-13	WPV		X	
891	Water Purge Tube-Purge Valve to Cabinet Rear	9051280-02	WPV	X	X	X
892	Water Purge Tube-Purge Valve to Water Pump	9051280-01	WPV	X	X	X
895	Water Purge Valve Coil Only	9041014-90	WPV	X		X
896	Purge Drain Fitting Assembly	2041471-02	WPV	X		X

REFRIGERANT CHARGE						
MODEL	REF TYPE	OZ.	DP			HP
GC550A	R-404a	36				
GC550W	R-404a	20	250			450
GC300A	R-404a	32				
GC300W	R-404a	18	250			450

DP=DISCHARGE PRESSURE/WATER COOLED CUBERS.
 HP=HIGH PRESSURE SAFETY CONTROL SETTING

SECTION 27.1
SPECIFIC TO 50 CYCLE
“GC” CUBERS

GC305

GC555

REFERENCE 60 CYCLE
PARTS LIST FOR
COMMON COMPONENTS

27.1 GENESIS GC305-GC555 AIR AND WATER COOLED

Item Code	PART DESCRIPTION	PART NUMBER	GRP	GC	GC
				305	555
Shaded Item Code indicates updated information					
AIR COOLED					
15	Condenser Fan Motor (50HZ)	9161089-03	AC	X	X
COMPRESSOR AND COMPONENTS (*Kit Includes Drier and Start Components)					
100	*Compressor Kit (GC305 R404)(RS64C1E-IAZ)	9181088-11	C	X	
100	Compressor (GC555 R404)(RS97C1E-IAZ)	9181089-01	C		X
100	Compressor (GC555 AIR R404)(M65B802BBKB)	9181099-01	C		X
100	*Compressor Kit (50HZ)(R22)	9181054-12	C	X	X
100	Compressor Kit (GC555 W R404)(RS64C1E-IAZ)	9181088-11	C		X
101	Overload (9181088-01)	9181005-26	C	X	X
105	Run Capacitor (50 HZ)(R22)	9181009-09	C	X	X
105	Run Capacitor (9181088-01)	9101009-16	C	X	X
105	Run Capacitor (9181089-01)	9101009-16	C		X
105	Run Capacitor (9181099-01)	9181009-11	C		X
110	Start Capacitor (9181089-01)	9181003-08	C		X
110	Start Capacitor (50 HZ) (R22)	9181003-08	C	X	X
110	Start Capacitor (9181088-01)	9181003-08	C	X	X
110	Start Capacitor (9181099-01)	9181003-19	C		X
115	Start Relay (50 HZ)(R22)	9181010-09	C	X	X
115	Start Relay (9181089-01)	9181004-04	C		X
115	Start Relay (9181088-01)	9181004-04	C	X	X
115	Start Relay (9181099-01)	9181010-18	C		X
ELECTRICAL-FROM DECEMBER 1994 (Z4) (CIRCUIT BOARD)					
205	Circuit Board (With Adjustable Purge Time)	9101283-02	E	X	X
	Circuit Board Fuse	9101236-02	E	X	X
210	Contactor	9101002-04	E	X	X
ELECTRICAL-PRIOR TO DECEMBER 1994 (RELAYS)					
210	Contactor (230V)	9101002-04	E	X	X
250	Relay (2 Pole) (230V)	9101084-02	E	X	X
251	Relay (3 Pole) (230V)	9101204-02	E	X	X
255	Timer-Harvest (50HZ)	9101206-02	E	X	X
260	Timer Purge (MUST BE ADJUSTED)	9101148-01	E	X	X
265	Timer-Freeze	9101148-01	E	X	X
MISCELLANEOUS					
	Hot Gas Valve-(Replaces SAG Valve)	1051081-02	M	X	X
	Purge Kit For Hard Water Areas (230V)	1051090-02	M	X	X
REFRIGERATION					
520	Hot Gas Valve Body - ALCO	9151123-01	REF	X	X
521	Hot Gas Valve Coil Only - ALCO (230 V)	9151123-04	REF	X	X
535	TXV-R22 Assembly (Includes 1 TXV and Tubing)	2041590-02	REF	X	
535	TXV R22 Assembly (Includes 2 TXV and Tubing)	2041591-02	REF		X
540	TXV-R22 (Valve Only-Y1035-BIV-1/2)(2041590-02)	9151072-02	REF	X	
540	TXV-R22 (Valve Only-Y1035-BIV-1/2)(2041591-02)	9151072-01	REF		X
535	TXV-R404 Assembly (Includes 1 TXV and Tubing)	2041623-04	REF		X
535	TXV-R404 Assembly (Include 1 TXV and Tubing)	2041590-01	REF	X	
535	TXV R404 Assembly (Includes 2 TXV and Tubing)	2041591-01	REF		X
540	TXV-R404 (Valve Only-Y958-BIS-1/2)(2041591-01)	9151006-08	REF		X
540	TXV-R404 (Valve Only-Y958-BIS-1/4)(2041590-01)	9151006-09	REF	X	
540	TXV-R404 (Valve Only-Y958-BISE-1)(2041623-04)	9151006-11	REF		X

27.1 GENESIS GC305-GC555 AIR AND WATER COOLED

Item Code	PART DESCRIPTION	PART NUMBER	GRP	GC 305	GC 555
Shaded Item Code indicates updated information					
WATER DISTRIBUTION					
820	Water Pump Tube (Cut To Length=23 IN)(Black)	6021043-02	WD	X	X
WATER INLET VALVE					
870	Water Inlet Valve	9041071-03	WI	X	X
870	Water Inlet Valve (European Only)	2101251-01	WI	X	X
WATER PUMP					
880	Water Pump Assembly (With Restrictor)	2061675-02	WP		X
880	Water Pump Assembly (With Restrictor)	2061675-05	WP	X	
WATER PURGE VALVE					
890	Water Purge Valve	9041014-13	WPV	X	X

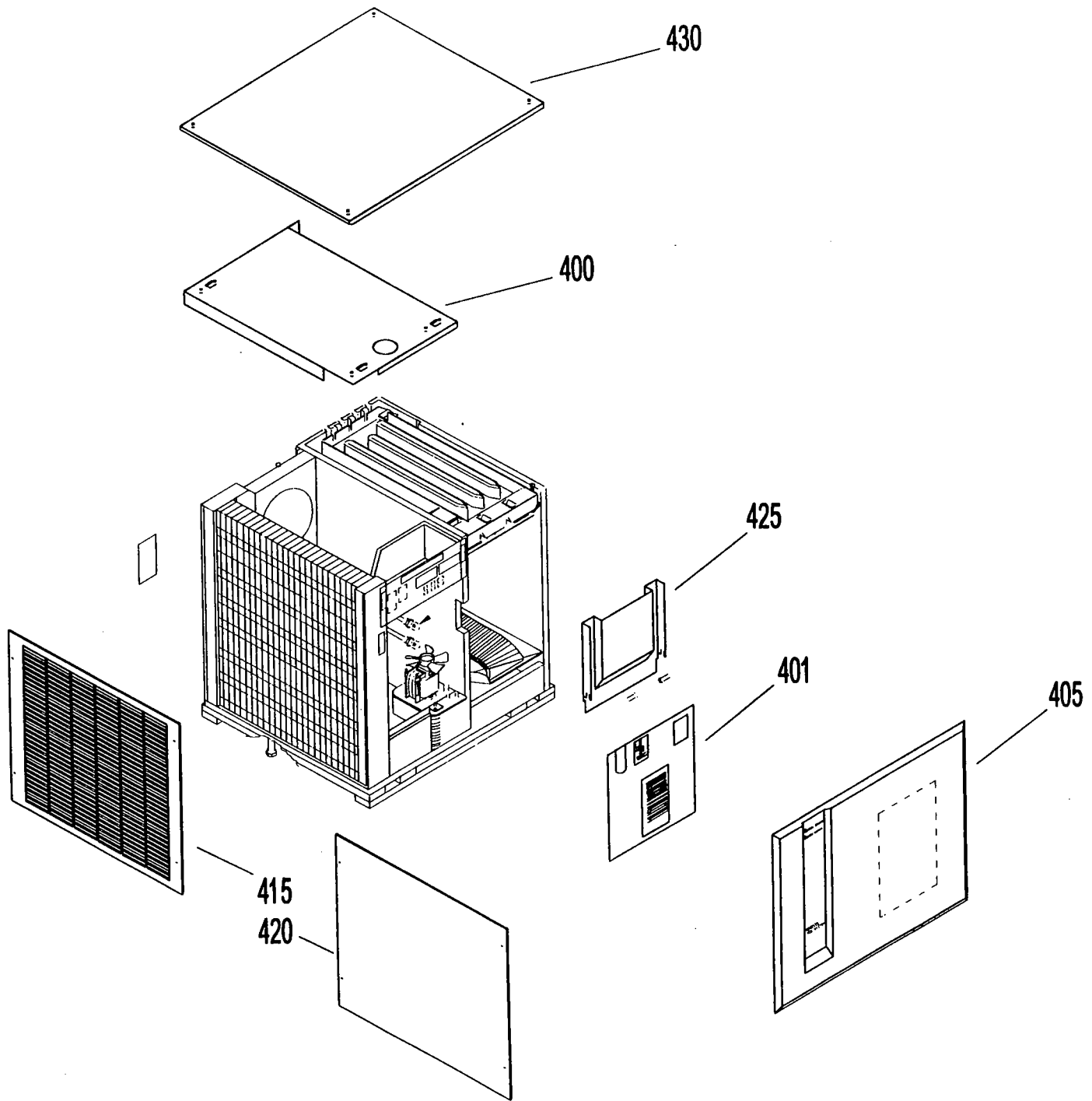
REFRIGERANT CHARGE					
MODEL	REF TYPE	OZ.	DP	HP	
GC555W	R-22	20	225	400	
GC555W	R-404a	20	250	450	
GC555A	R-22	50			
GC555A	R-404a	36			
GC305W	R-404a	18	250	400	
GC305W	R-22	15	225	450	
GC305A	R-404a	32			
GC305A	R-22	32			

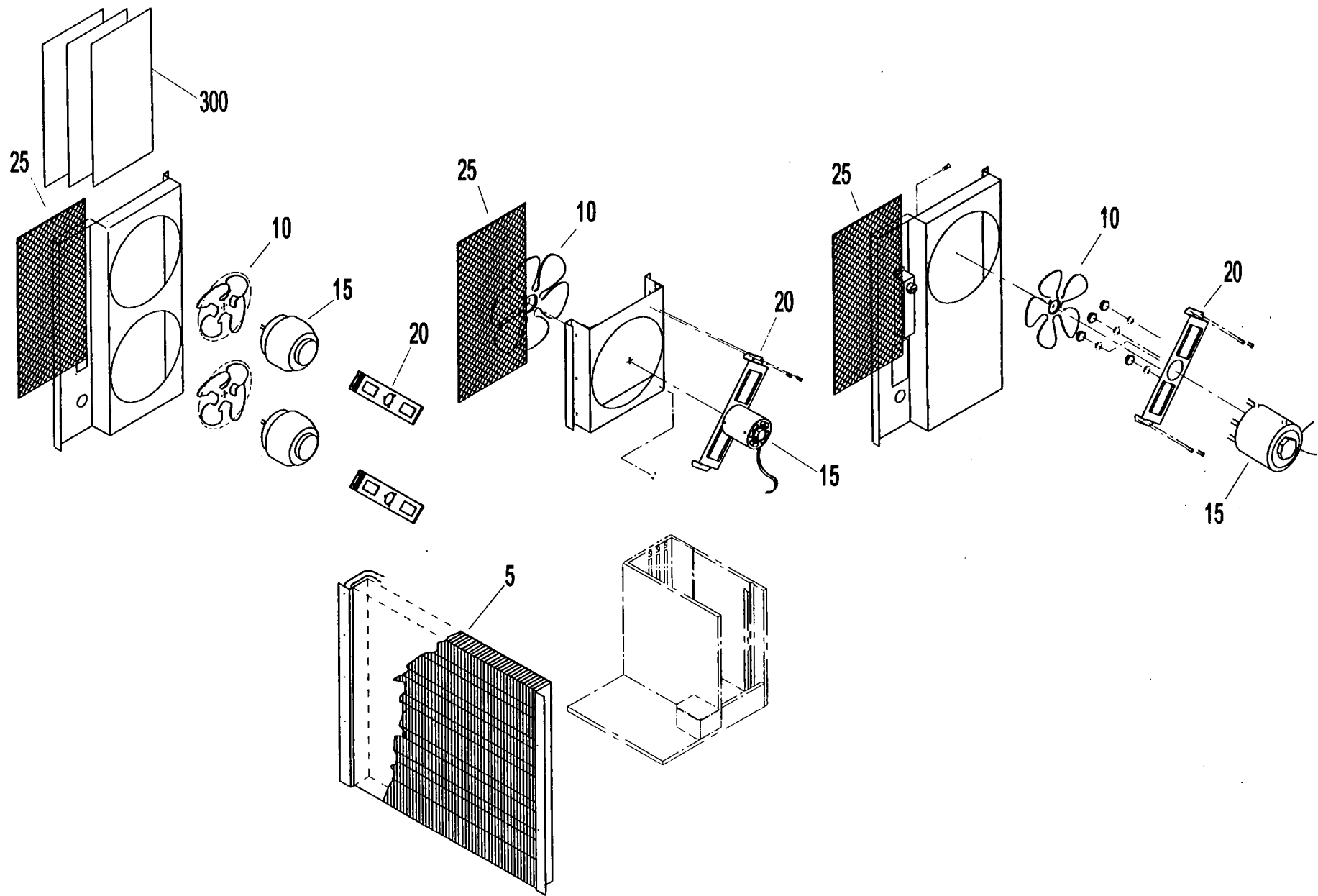
DP=DISCHARGE PRESSURE/WATER COOLED CUBERS.

HP=HIGH PRESSURE SAFETY CONTROL SETTING

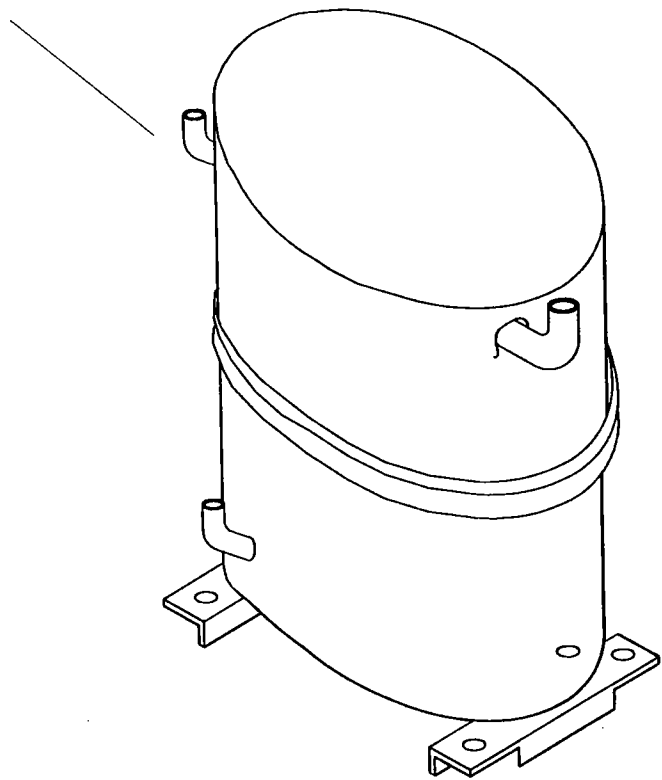
A=RECOMMENDED PARTS STOCKING-1 COMPONENT FOR EVERY 10 UNITS IN FIELD

B=RECOMMENDED PARTS STOCKING-1 COMPONENT FOR EVERY 25 UNITS IN FIELD

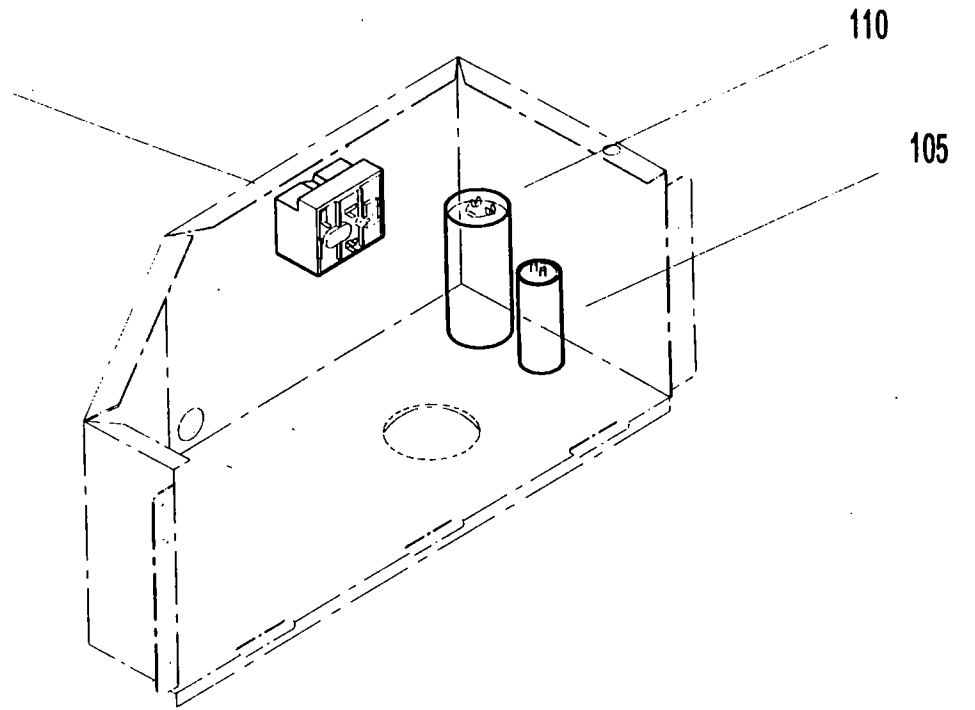




100



115



102

