

14 ECP400-500-556 Air and Water Cooled

Item Code	PART DESCRIPTION	PART NUMBER	GRP	ECP	ECP	ECP
				400	500	556
<b>AIR COOLED</b>						
5	Air Condenser	9141102-01	AC	X	X	X
10	Fan Blade (10 Inch)	9131225-01	AC	X	X	X
15	Fan Motor (115 V)	9161089-02	AC	X	X	
15	Fan Motor (230 V)	9161089-01	AC			X
20	Fan Motor Bracket	3012527-01	AC	X	X	X
25	Fan Shroud	2031441-01	AC	X	X	X
<b>BIN CONTROL</b>						
50	Bin Control Switch Assy.	2061784-01	BC	X	X	X
55	Bin Control Switch Bracket	3012735-01	BC	X	X	X
60	Screw, Bin Control Limit Switch	9031008-16	BC	X	X	X
65	Speed Nut Plate #4-40	9031120-01	BC	X	X	X
70	Bin Control Limit Switch	9101145-03	BC	X	X	X
75	Bin Control Switch Actuator Wire	9131331-01	BC	X	X	X
<b>COMPRESSOR AND COMPONENTS (*Kit Includes Drier and Start Components)</b>						
100	*Compressor Kit (115V)	9181085-11	CMP		X	
100	*Compressor Kit (115V)	9181086-11	CMP	X		
100	*Compressor Kit (230V)	9181083-11	CMP			X
101	Compressor Mounting Grommet	9181002-03	CMP	X	X	X
102	Compressor Mounting Sleeve	9181002-04	CMP	X	X	X
105	Potential Relay	9181010-12	CMP		X	X
105	Potential Relay	9181010-14	CMP	X		
110	Run Capacitor	9181009-11	CMP			X
110	Run Capacitor	9181009-17	CMP		X	
115	Start Capacitor	9181003-17	CMP	X		
115	Start Capacitor	9181003-20	CMP			X
115	Start Capacitor	9181003-26	CMP		X	
<b>ELECTRICAL</b>						
200	Harness, Switches	2061781-01	EL	X	X	X
205	Harness, Compressor Start Components	2061782-01	EL		X	
205	Harness, Compressor Start Components	2061787-01	EL	X		
205	Harness, Compressor Start Components	2061782-02	EL			X
210	High Temperature Safety Control	9041087-03	EL	X	X	X
215	Selector Switch, Rocker (Ice-Off-Wash)	9101139-03	EL	X	X	X
220	Purge Switch	9101195-01	EL	X	X	X
225	Control Board (115V=Green Color)	9101219-01	EL	X	X	
225	Control Board (230V=Pink Color)	9101219-02	EL			X
211	Circuit Board Fuse 3AMP 250 VOLT	9101236-02	EL	X	X	X
230	Harness, Control - Air Cooled	9101284-01	EL	X	X	X
230	Harness, Control - Water Cooled	9101284-02	EL	X	X	X
<b>EVAPORATOR</b>						
300	Evaporator Assembly - Full Cube	2051204-01	EV	X	X	X
300	Evaporator Assembly - Half Cube	2051204-02	EV	X	X	X
305	Evaporator Left Mounting Panel	9051136-05	EV	X	X	X
310	Evaporator Lower Mounting Panel	9051135-04	EV	X	X	X
315	Evaporator Right Mounting Panel	9051136-06	EV	X	X	X
320	Evaporator Spillway	9051135-03	EV	X	X	X
<b>HARVEST ASSIST</b>						
400	Clutch Assembly - 160 Deg.	9131190-01	HA	X	X	X
405	Connecting Rod	9051057-01	HA	X	X	X
410	Gear Motor (115 Volt)	9161030-01	HA	X	X	
410	Gear Motor (230 Volt)	9161031-01	HA			X

Item Code	PART DESCRIPTION	PART NUMBER	GRP	ECP	ECP	ECP
				400	500	556
<b>HARVEST ASSIST (Continued)</b>						
415	Harvest Motor Bracket	3012514-01	HA	X	X	X
420	Harvest Probe Assembly (115V)	NLA	HA	X	X	
420	Harvest Probe Assembly (230V)	NLA	HA			X
425	Hex Nut #10-32 SS	9031005-03	HA	X	X	X
430	Limit Switch	9101160-01	HA	X	X	X
435	Pan Head Machine Screw #4-40X3/4 S/S	9031008-16	HA	X	X	X
440	Probe Shaft (5.125 X .219)	9131189-03	HA	X	X	X
445	Probe Shield	3012609-01	HA	X	X	X
450	Screw #6-32 X 1/2 Fillister Head	9031019-08	HA	X	X	X
455	Screw #8-18 X 1/2	9031046-02	HA	X	X	X
460	Shoulder Screw	9031119-01	HA	X	X	X
465	Snap Bushing (Probe Bushing)	9051001-13	HA	X	X	X
470	Speed Nut Plate #4-40	9031120-01	HA	X	X	X
475	Swivel	9021017-02	HA	X	X	X
480	Washer #10 SS	9031003-03	HA	X	X	X
485	Switch Insulator	3051145-01	HA	X	X	X
<b>MISCELLANEOUS</b>						
500	Clamp, Plastic #14	9021010-03	M	X	X	X
505	Clamp, Plastic #18	9021010-04	M	X	X	X
510	Control Board Standoff (Long -4 Req.)	9031147-01	M	X	X	X
515	Control Board Standoff (Short -1 Req.)	9031148-01	M	X	X	X
520	Curtain Retaining Clip	3012747-01	M	X	X	X
521	Screw-Water Distribution Tube	9031122-01	M	X	X	X
522	Screw Retainer (Rubber Washer)	9031004-19	M	X	X	X
525	Evaporator Support	3012715-01	M	X	X	X
530	Hose Clamp	9021040-01	M	X	X	X
540	Installation Manual	9081166-01	M	X	X	X
550	Sump Gasket	9051285-01	M	X	X	X
555	Tube Washer	9051238-01	M	X	X	X
<b>PANELS/CABINET</b>						
600	Brace, Upper Housing	3012720-01	P	X	X	X
605	Cover, Junction Box	3012732-01	P	X	X	X
610	Cover, Compressor Compartment	3012633-01	P	X	X	X
615	Enclosure, Front Panel	3012623-01	P	X	X	X
620	Filter Bracket	3012401-01	P	X	X	X
625	Front Panel Assembly	2031439-03	P	X	X	X
635	Left Hand Side Panel - Air	9051314-01	P	X	X	X
640	Left Hand Side Panel - Water	2101260-01	P	X	X	X
645	Panel Screw #10-16 X 1/2	9031046-01	P	X	X	X
650	Panel, Rear Expanded Metal	9131286-01	P	X	X	X
655	Screw-Front Panel #10-24 X 1/2 SS	9031008-40	P	X	X	X
660	Screw-Splash Guard #10-16 X 1/2 SS	9031113-04	P	X	X	X
665	Screw-Top Panel #10-16 X X12	9031113-09	P	X	X	X
670	Splash Shield	3012652-01	P	X	X	X
675	Top Panel	9051391-01	P	X	X	X
<b>REFRIGERATION</b>						
700	CRO Valve-ECP550 ONLY	9151086-01	REF		X	
705	Drier	9151004-02	REF	X	X	X
710	Expansion Vvalve-(Y958-BIS-1/2)	9151006-08	REF	X	X	X
715	High Pressure Control (450 PSI)	9041051-04	REF	X	X	X
720	Hot Gas Valve Body - ALCO	9151123-01	REF	X	X	

Item Code	PART DESCRIPTION	PART NUMBER	GRP	ECP	ECP	ECP
				400	500	556
<b>REFRIGERATION (Continued)</b>						
725	Hot Gas Valve Coil Only ALCO (115V)	9151123-03	REF	X	X	
725	Hot Gas Valve Coil Only ALCO (230V)	9151123-04	REF			X
725	Hot Gas Valve Coil Only SPORLAN (115V)	9151091-01	REF	X	X	
730	Service Valve	9091086-01	REF	X	X	X
735	Service Valve Cap	9091086-03	REF	X	X	X
740	Service Valve Core	9091086-02	REF	X	X	X
745	Timer Initiate (Low Pressure Control)	9041094-01	REF	X	X	X
<b>WATER COOLED</b>						
800	Water Condenser	9141061-02	WC	X	X	X
805	Water Regulator Valve	9041059-01	WC	X	X	X
806	Adapter 3/8 MPT X 3/8 Solder	9091005-03	WC	X	X	X
807	Speed Nut U-Type	9031035-02	WC	X	X	X
<b>WATER DISTRIBUTION</b>						
820	Drain Fitting Assembly (Purge Drain)	2041454-01	WD	X	X	X
825	Drop Adapter Fitting (Used W/ 9091083-01)	9091074-01	WD	X	X	X
830	Splash Curtain (Clip Ears)	9051154-08	WD	X	X	X
835	Tube, Water Pump To Water Distribution Tube	9051428-02	WD	X	X	X
840	Tubing, Purge To Cabinet Rear-CTL=28.5 In.	6021015-06	WD	X	X	X
845	Tubing, Purge To Pump-Ctl.= 14 In.	6021015-06	WD	X	X	X
850	Tubing, Cabinet Rear To Float Ctl.=28.5 In.	6021032-01	WD	X	X	X
855	Water Condenser Drain Fitting Assy.	2041454-01	WD	X	X	X
860	Water Distribution Tube Assembly	2041338-01	WD	X	X	X
865	Water Inlet Fitting (Used W/ 9091074-01)	9091083-01	WD	X	X	X
<b>WATER FLOAT ASSEMBLY</b>						
870	Float Assembly-Float and Bracket	NLA	WF	X	X	X
875	Float Bracket	NLA	WF	X	X	X
880	Caplug	3051162-01	WF	X	X	X
885	Float Assembly (Top Mount)	9131111-01	WF	X	X	X
<b>WATER PUMP</b>						
955	Water Pump Assembly (115V)	2061675-11	WP	X	X	
955	Water Pump Assembly (230V)	2061675-12	WP			X
<b>PURGE VALVE</b>						
970	Purge Valve (230V)	9041014-14	WPV			X
970	Purge Valve (115V)	9041014-15	WPV	X	X	

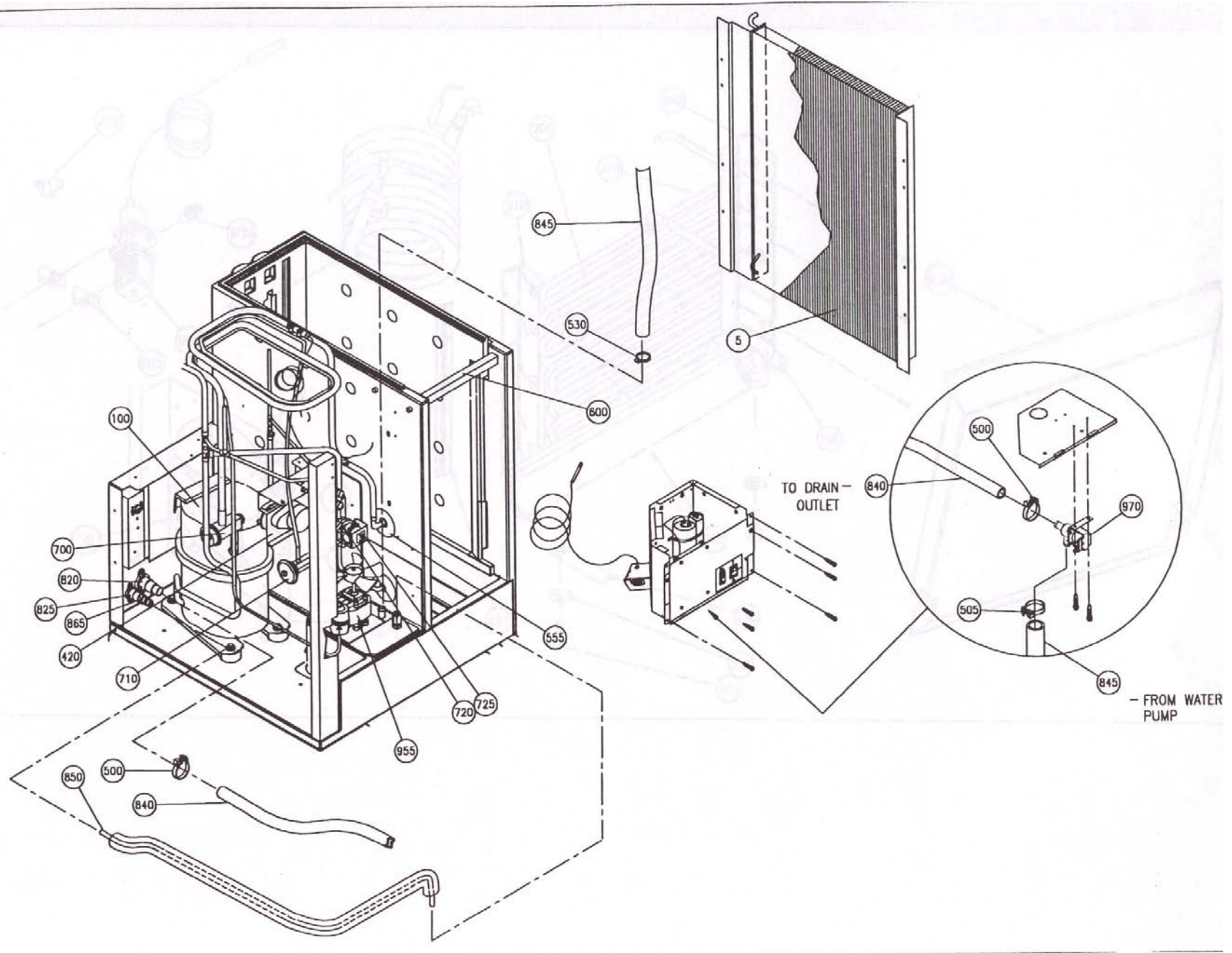
REFRIGERANT CHARGE			PRESSURES		
MODEL	REF TYPE	OZ.	SP	DP	HP
ECP400A	R404A	36	37		
ECP400W	R404A	19	37	250	450
ECP500A	R404A	32	35		
ECP500W	R404A	14	35	250	450
ECP556A	R404A	32	35		
ECP556W	R404A	16	35	250	450

SP=TIMER INITIATE SETTING

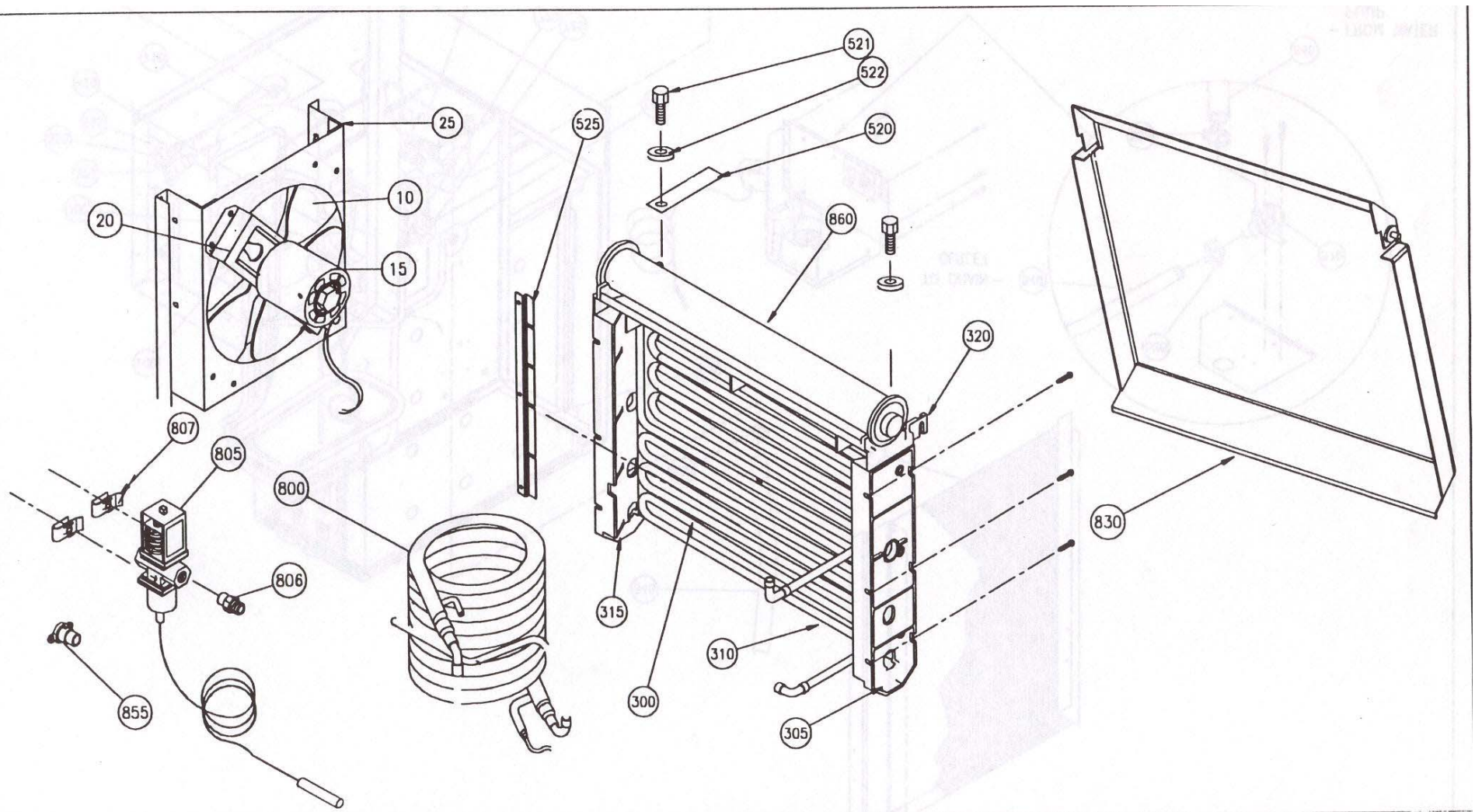
HP=HI. PRESSURE SAFETY CONTROL SETTING

DP=DISCHARGE PRESSURE/WATER COOLED UNITS

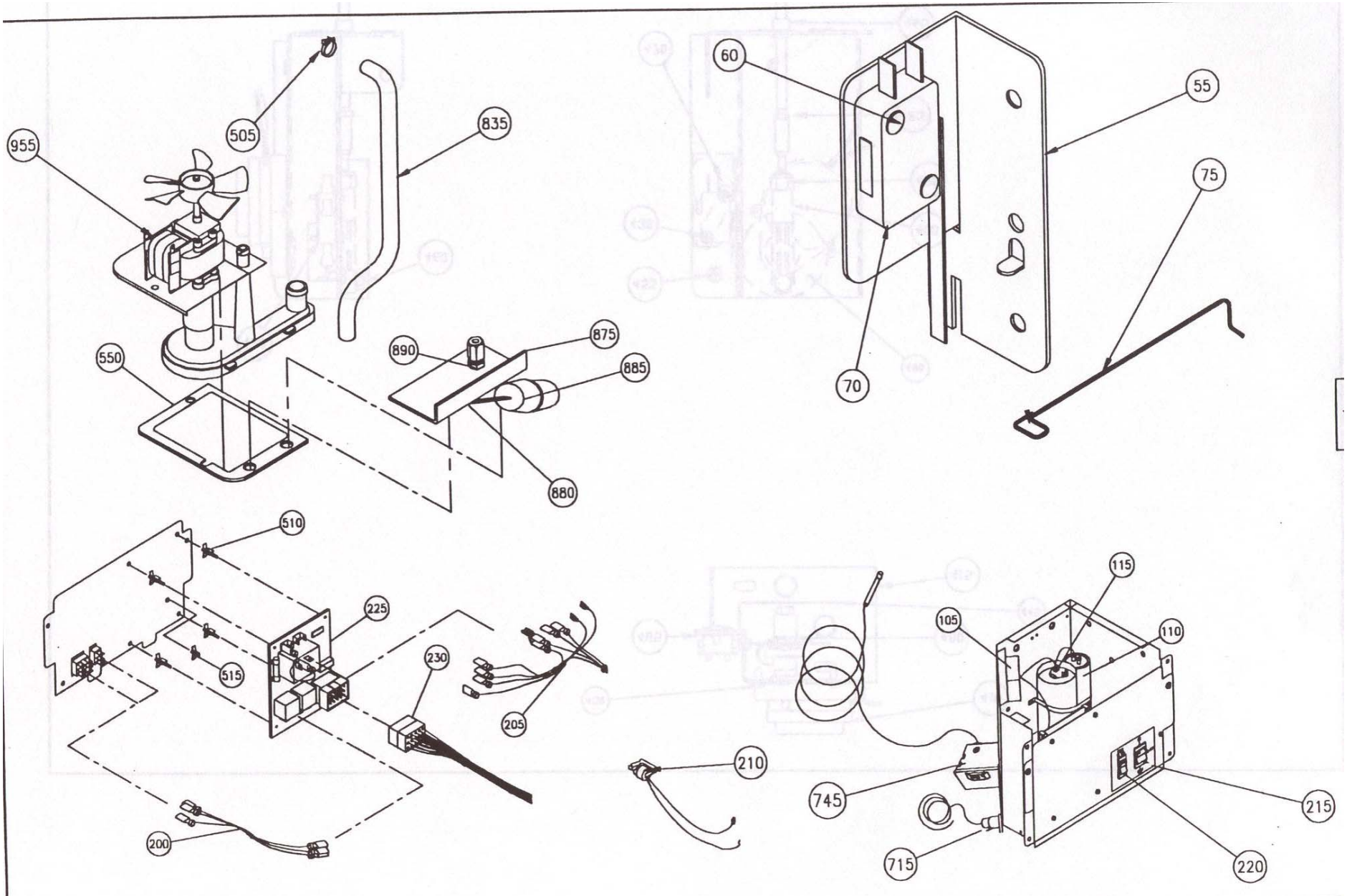
ECP 400-500-556



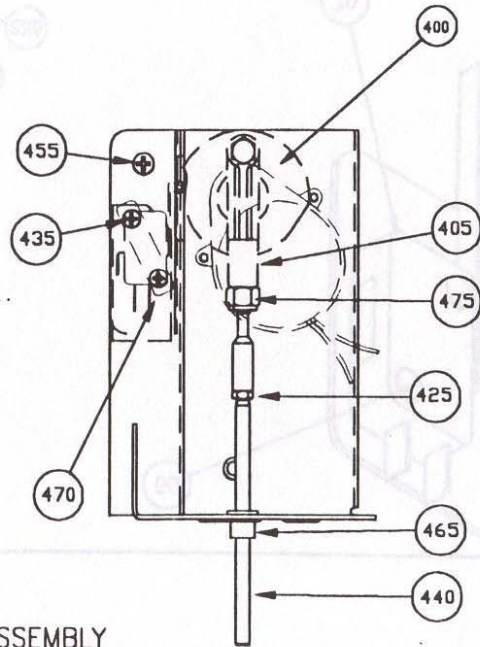
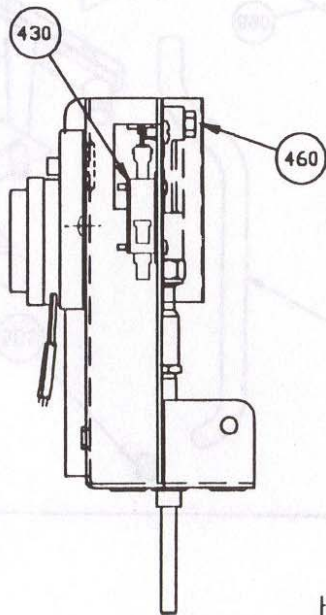
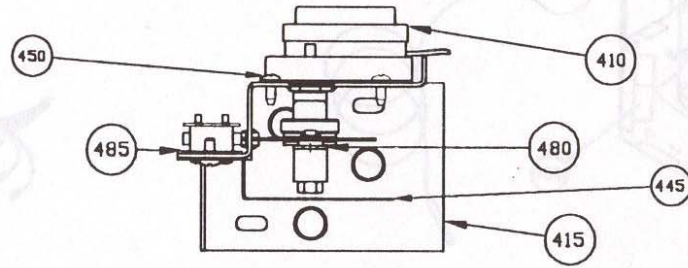
ECP 400-500-556



ECP 400-500-556



ECP 400-500-556



HARVEST PROBE ASSEMBLY