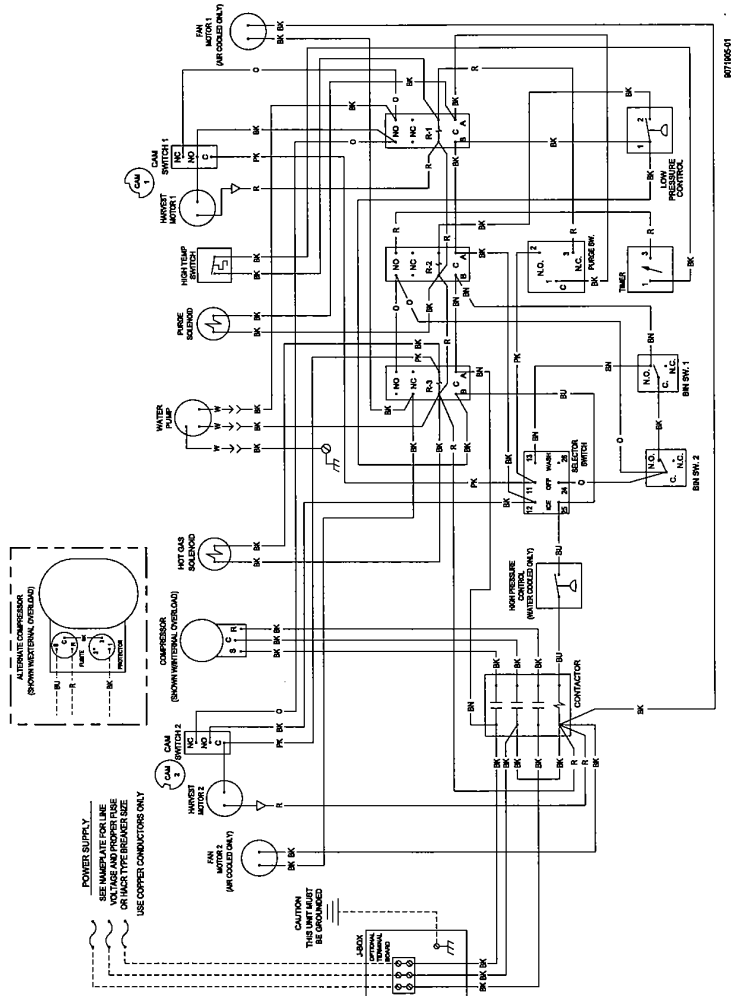


EC1407/1807 Air and Water B1



POWER SUPPLY.
SEE NAMEPLATE FOR LINE
VOLTAGE AND PROPER FUSE
RATING.
USE COPPER CONDUCTORS ONLY.

CAUTION
THIS UNIT MUST
BE GROUNDED

JACK
1
2
3
4
5
6
7
8
9
10
11
12
13
14
15
16
17
18
19
20
21
22
23
24
25
26
27
28
29
30
31
32
33
34
35
36
37
38
39
40
41
42
43
44
45
46
47
48
49
50
51
52
53
54
55
56
57
58
59
60
61
62
63
64
65
66
67
68
69
70
71
72
73
74
75
76
77
78
79
80
81
82
83
84
85
86
87
88
89
90
91
92
93
94
95
96
97
98
99
100

WIRING SCHEMATIC AIR & WATER
(SHOWN IN TYPED PORTION FREEZE CYCLE)

