

Ice-O-Matic®

SERVICE PARTS MANUAL

Storage Bins Manufactured Prior to July 2008



This parts list contains the service parts available for the Ice-O-Matic storage bins listed below.

B25PP

B42A

B40A

B55A

B75

B100A

CRT 125 Ice Cart

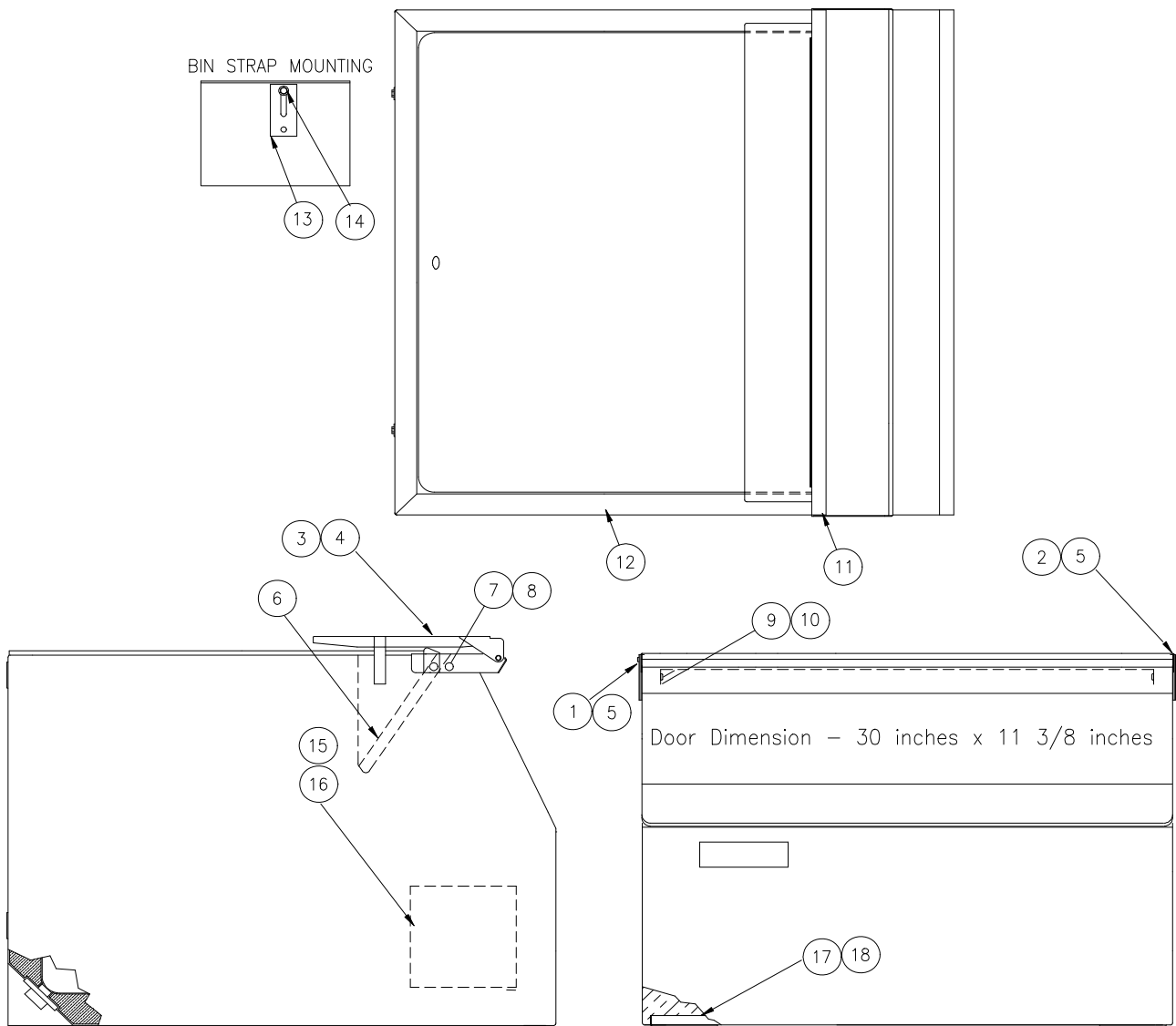
Check the model number on the data plate and refer to the correct listing for the specific component.

Check carefully that the correct part is identified and ordered.

| | |
|-------------------|--------|
| Table of Contents | Page 1 |
| B25PP | Page 2 |
| B42A | Page 3 |
| B40A and B55A | Page 4 |
| B75 | Page 5 |
| B100A | Page 6 |
| CRT125 Ice Cart | Page 7 |

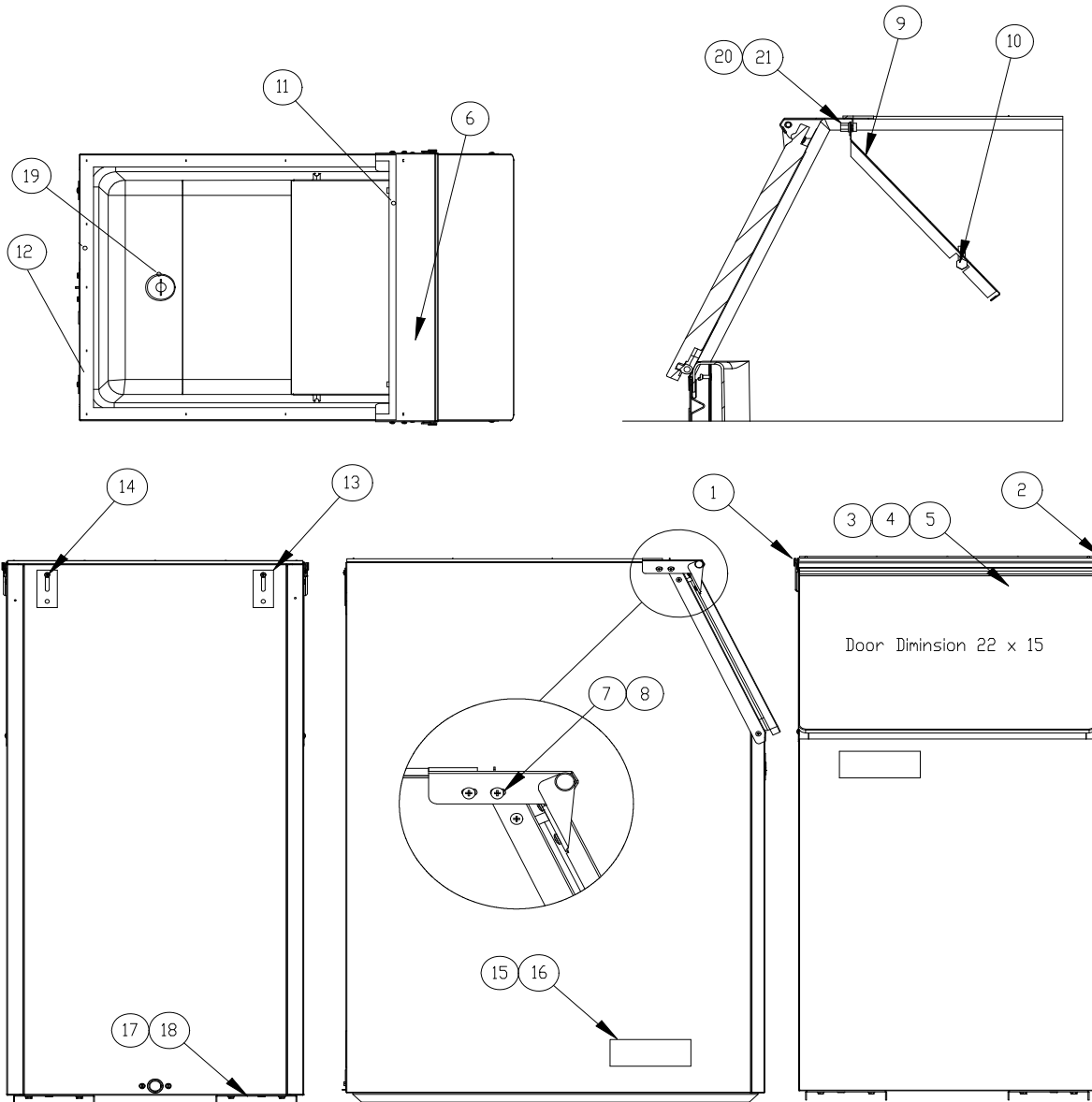
Ice-O-Matic
11100 East 45th Ave.
Denver Co. 80239
800-423-3367

No Longer Available=No Longer Available-No Replacement Parts Available

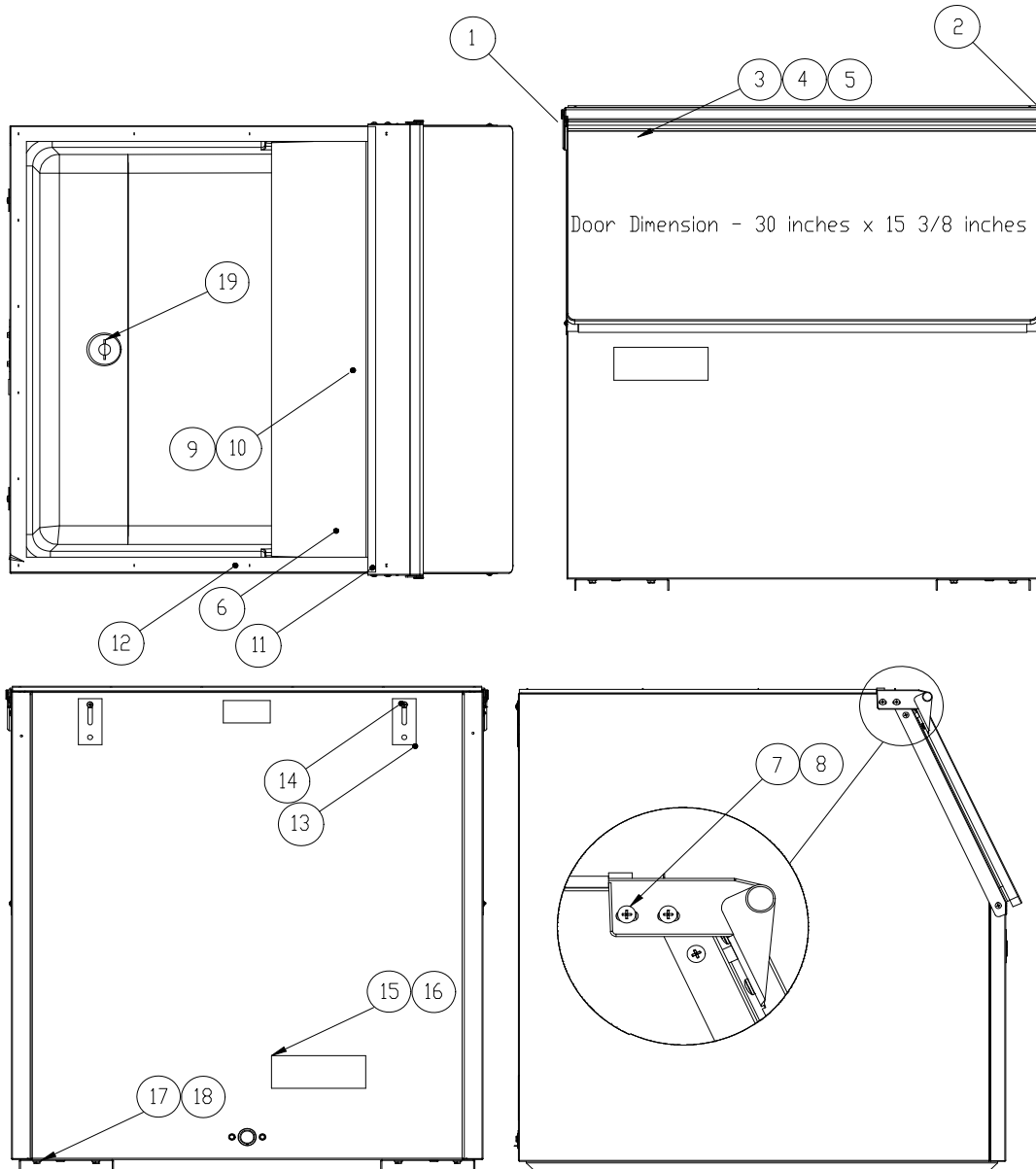


| Item | B25PP Bin | Description |
|------|-------------|------------------------------------------------|
| 1 | 2031302-01 | Hinge-Left Hand |
| 2 | 2031302-02 | Hinge-Right Hand |
| 3 | 2031303-97 | Door, 30 x 11.375 Black Only (Includes Gasket) |
| 4 | 6081036-01 | Door Gasket 3.00 Ft. Required |
| 5 | 9031008-15P | Screw-Hinge to Door |
| 6 | 2101252-01 | Drip Shield/Ice Deflector |
| 7 | 9031098-03P | Drip Shield Screw |
| 8 | 9031141-01P | Plastic Nut |
| 9 | 3012646-03 | Drip Shield Stainless Steel Stiffener |
| 10 | 9031113-04 | Drip Shield Stainless Steel Stiffener Screws |
| 11 | 6081004-07 | Drip Shield Gasket 2.50 Ft Required |
| 12 | 6081004-06 | Bin Perimeter Gasket 6.33 Ft. Required |
| 13 | 3012608-01 | Connecting Strap |
| 14 | 9031113-03P | Connecting Strap Screw |
| 15 | 9021001-04 | Legs (Set of 4) |
| 16 | 9051127-01 | Ice Scoop |
| 17 | 2031453-01 | Leg Support (Includes Nut Retainers) |
| 18 | 9031012-02 | Leg Nut Retainer |

P=Package Quantity

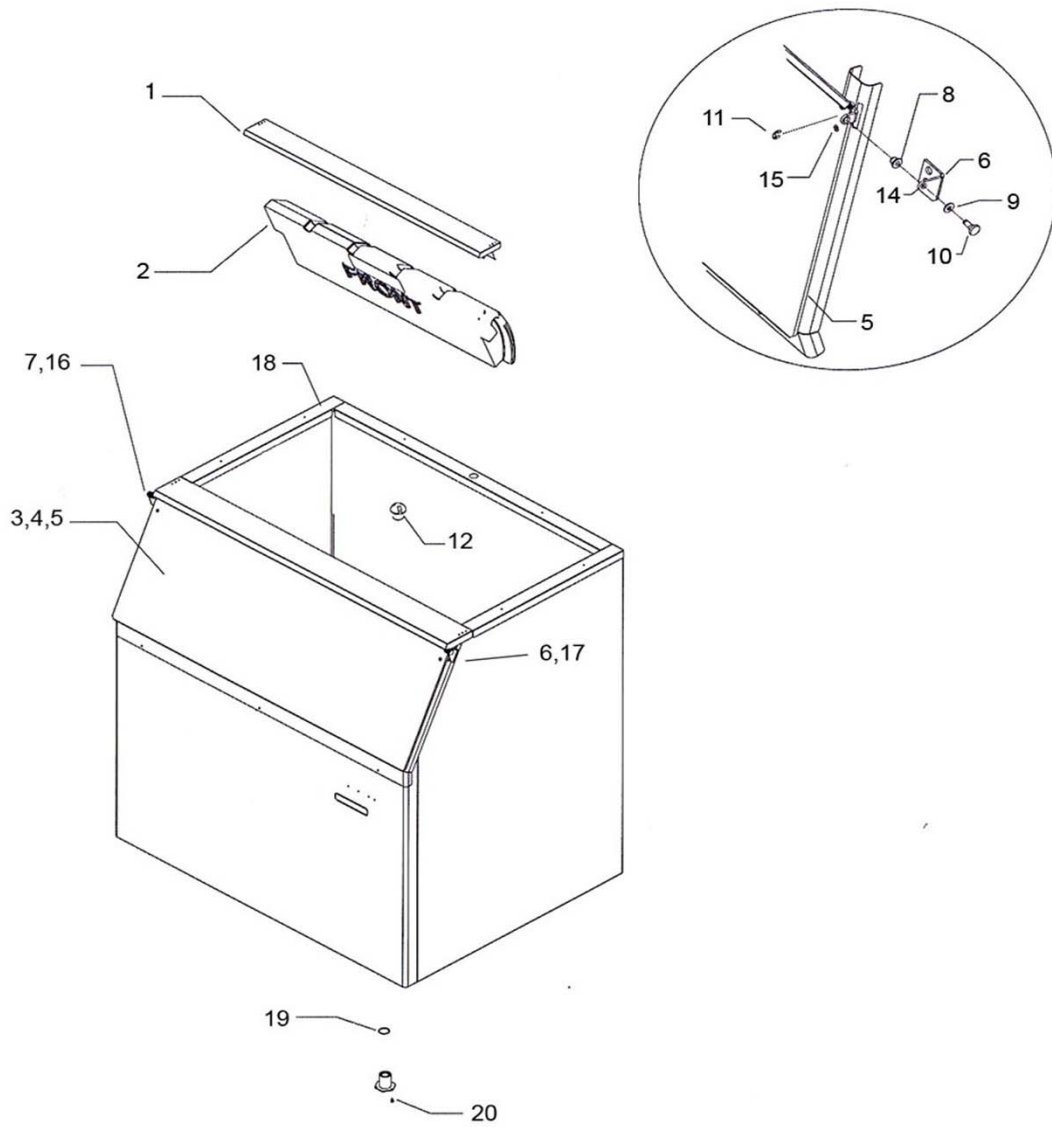


| Item | B42A Bin | Description |
|------|-------------------|------------------------------------------------------------------|
| 1 | 2031302-01 | Hinge-Left Hand |
| 2 | 2031302-02 | Hinge-Right Hand |
| | 9121032-01 | Nylon Bearing (Hinge) |
| 3 | 2031303-98 | Door, 22 x 15 Black (Includes Gasket) No Longer Available |
| 4 | 6081036-01 | Door Gasket 4.00 Ft. Required |
| 5 | 9031008-15P | Screw-Hinge to Door |
| 6 | 2031496-01 | Drip Shield No Longer Available |
| 7 | 9031098-03P | Drip Shield Screw |
| 9 | 3011984-03 | Ice Deflector |
| 10 | 9031116-01 | Hex Standoff No Longer Available |
| 11 | 6081004-07 | Drip Shield Gasket 2.3 Ft Required |
| 12 | 6081004-06 | Bin Perimeter Gasket 5.70 Ft. Required |
| 13 | 3012608-01 | Connecting Strap |
| 14 | 9031113-03P | Connecting Strap Screw |
| 15 | 9021001-04 | Leg Set (4) |
| 16 | 9051127-01 | Ice Scoop |
| 17 | 2031310-03S | Leg Support (Includes Nut Retainers) |
| 19 | 9051126-02 | Drain Plug No Longer Available |
| 20 | 9031122-03P | Thumbscrew |
| 21 | 9031004-19P | Washer, Rubber |

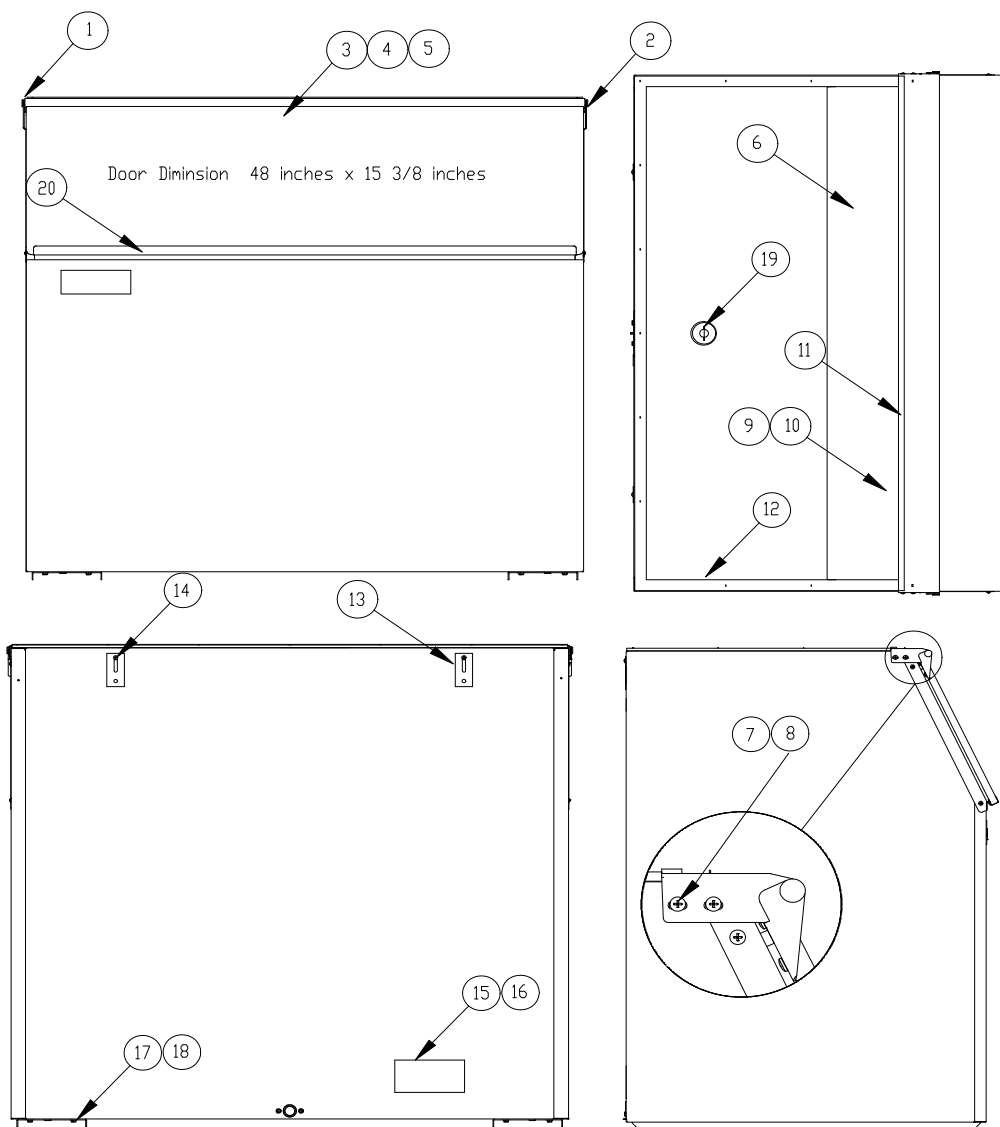


| Item | B40A Bin | B55A Bin | Description |
|------|-------------------|-------------------|--------------------------------------------------------------|
| 1 | 2031302-01 | 2031302-01 | Hinge-Left Hand |
| 2 | 2031302-02 | 2031302-02 | Hinge-Right Hand |
| 3 | 2031303-93 | 2031303-93 | Door, 30 x 15.375 Black Only (Includes Gasket) |
| 4 | 6081036-01 | 6081036-01 | Door Gasket 5.00 Ft. Required |
| 5 | 9031008-15P | 9031008-15P | Screw-Hinge to Door |
| 6 | 9051370-02 | 9051370-02 | Drip Shield/Ice Deflector No Longer Available |
| 7 | 9031098-03P | 9031098-03P | Drip Shield Screw |
| 8 | 9031141-01P | 9031141-01P | Plastic Nut |
| 9 | 3012646-02 | 3012646-02 | Drip Shield Stainless Steel Brace No Longer Available |
| 10 | 9031113-04P | 9031113-04P | Drip Shield Stainless Steel Stiffener Screws |
| 11 | 6081004-07 | 6081004-07 | Drip Shield Gasket 2.5 Ft Required |
| 12 | 6081004-06 | 6081004-06 | Bin Perimeter Gasket 6.30 Ft. Required |
| 13 | 3012608-01 | 3012608-01 | Connecting Strap |
| 14 | 9031113-03P | 9031113-03P | Connecting Strap Screw |
| 15 | 9021001-04 | 9021001-04 | Leg Set (4) |
| 16 | 9051127-01 | 9051127-01 | Ice Scoop |
| 17 | 2031310-03S | 2031310-03S | Leg Support (Includes Nut Retainers) |
| 18 | 9031012-02P | 9031012-02P | Nut Retainer 1/2-13 |
| 19 | 9051126-01P | 9051126-01P | Drain Plug |

P=Package Quantity

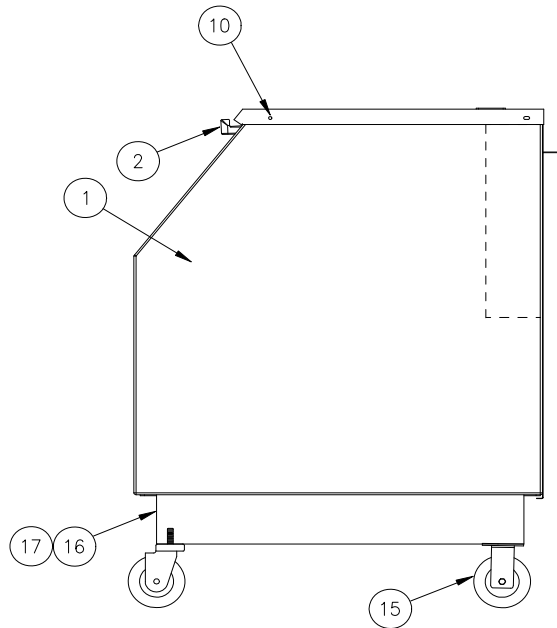
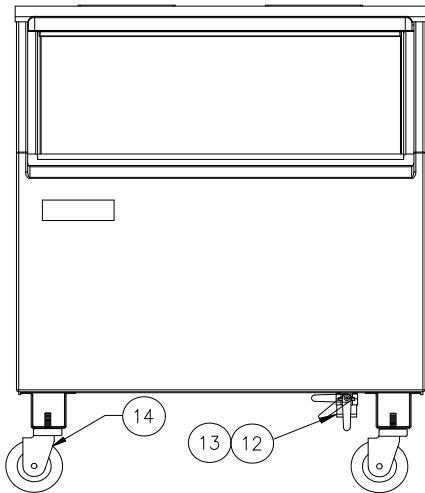
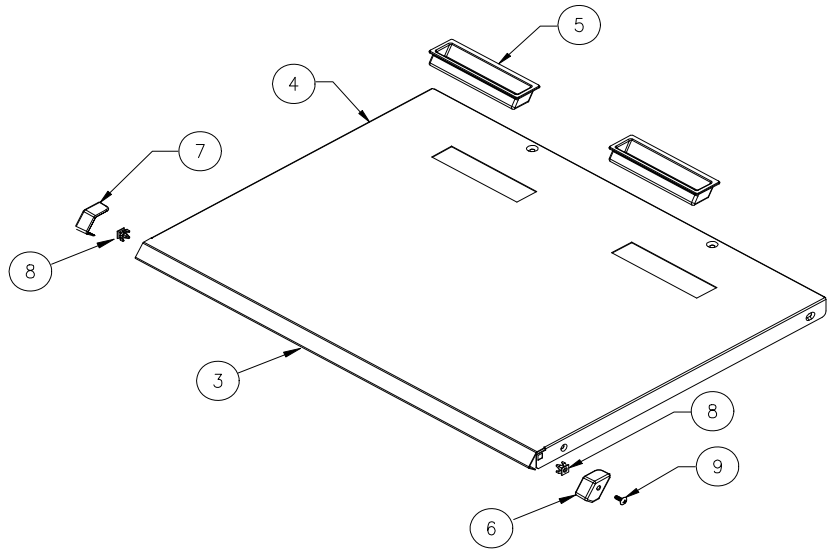
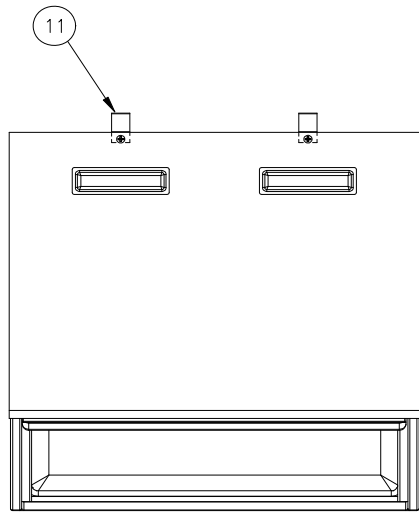


| Item | B75 | Description |
|------|-------------|-----------------------------------------------------------|
| 1 | 1011369-01 | Canopy No Longer Available |
| 2 | 1011369-02 | Baffle No Longer Available |
| 3 | 1011369-03 | Door Assembly No Longer Available |
| 4 | 1011369-04 | Drip Molding No Longer Available |
| 5 | 1011369-05 | Door Gasket (10 Feet Required) No Longer Available |
| 6 | 1011369-06 | Hinge R/H No Longer Available |
| 7 | 1011369-07 | Hinge L/H No Longer Available |
| 8 | 1011369-08 | Hinge Bushing No Longer Available |
| 9 | 1011369-09 | Hinge Spacer No Longer Available |
| 10 | 1011369-10 | Shoulder Screw No Longer Available |
| 11 | 1011369-11 | E-Clip |
| 12 | 1011369-12 | Drain Top No Longer Available |
| 13 | 1011369-13 | Legs, Painted (Set of 4) No Longer Available |
| 14 | 1011369-14 | Screw - Hinge to Frame No Longer Available |
| 15 | 1011369-15 | Screw - Hinge to Door No Longer Available |
| 16 | 1011369-16 | Door Hinge L/H |
| 17 | 1011369-17 | Door Hinge R/H No Longer Available |
| 18 | 1011339-104 | Gasket |
| 19 | 1011351-69 | O-Ring |
| 20 | 1011351-05 | Drain Bottom |



| Item | B100A Bin | Description |
|------|-------------------|------------------------------------------------------|
| 1 | 2031302-01 | Hinge-Left Hand |
| 2 | 2031302-02 | Hinge-Right Hand |
| 3 | 2031303-95 | Door, 48 x 15 3/8 Black Only (Includes Gasket) |
| 4 | 6081036-01 | Door Gasket 6.50 Ft. Required |
| 5 | 9031008-15P | Screw-Hinge to Door |
| 6 | 9051370-03 | Drip Shield/Ice Deflector No Longer Available |
| 7 | 9031098-03P | Drip Shield Screw |
| 8 | 9031141-01P | Plastic Nut |
| 9 | 3012646-01 | Drip Shield Stainless Steel Stiffener |
| 10 | 9031113-04P | Drip Shield Stainless Steel Stiffener Screws |
| 11 | 6081004-07 | Drip Shield Gasket 4.0 Ft Required |
| 12 | 6081004-06 | Bin Perimeter Gasket 7.8 Ft. Required |
| 13 | 3012608-01 | Connecting Strap |
| 14 | 9031113-04P | Connecting Strap Screw |
| 15 | 9021001-04 | Leg Set (4) |
| 16 | 9051127-01 | Ice Scoop |
| 17 | 2031310-03S | Leg Support (Includes Nut Retainers) |
| 18 | 9031012-02P | Nut Retainer 1/2-13 |
| 19 | 9051126-01 | Drain Plug |
| 20 | 3012664-01 | Bin Door Reinforcement |

P=Package Quantity



| Item | CRT125 | Description |
|------|-------------------|--------------------------------------------------------------------|
| 1 | 9051214-01 | Bin |
| 2 | 9051310-01 | Bin Door |
| 3 | 2101414-01 | Top Panel Assembly (Includes Items 4-8) No Longer Available |
| 4 | 3021924-01 | Top Panel Only |
| 5 | 9021089-01 | Recessed Handle |
| 6 | 9051542-01 | Corner Cap Right Hand No Longer Available |
| 7 | 9051542-02 | Corner Cap Left Hand No Longer Available |
| 8 | 9031141-01P | Plastic Nut |
| 9 | 9031098-02P | Plastic Corner Screw |
| 10 | 9031023-10P | Top Panel Screw |
| 11 | 3012780-01 | Hose Clip |
| 12 | 9091117-01 | Drain Valve |
| 13 | 9091097-01 | Drain Elbow |
| 14 | 9021088-01 | Caster-Pivot (Front) (Each) |
| 15 | 9021094-01 | Caster-Fixed (Rear)(Each) |
| 16 | 2021511-01 | Leg Channel (Left and Right) No Longer Available |
| 17 | 9031113-02P | Leg Channel Screw |

Not Shown-Ice Scoop-9051127-02

P=Package Quantity