

# Ice-O-Matic®

## Service Parts Manual Hotel Dispenser Model - CD300



Mile High Equipment  
11100 East 45th Ave  
Denver, Colorado 80239

Part Number 9081293-01

Print Date 1/09

# **CD300 Hotel Dispenser Service Parts**

This parts list contains the service parts available for the CD300 Hotel Dispenser.

Check the model number on the data plate and refer to the correct listing for the specific component.

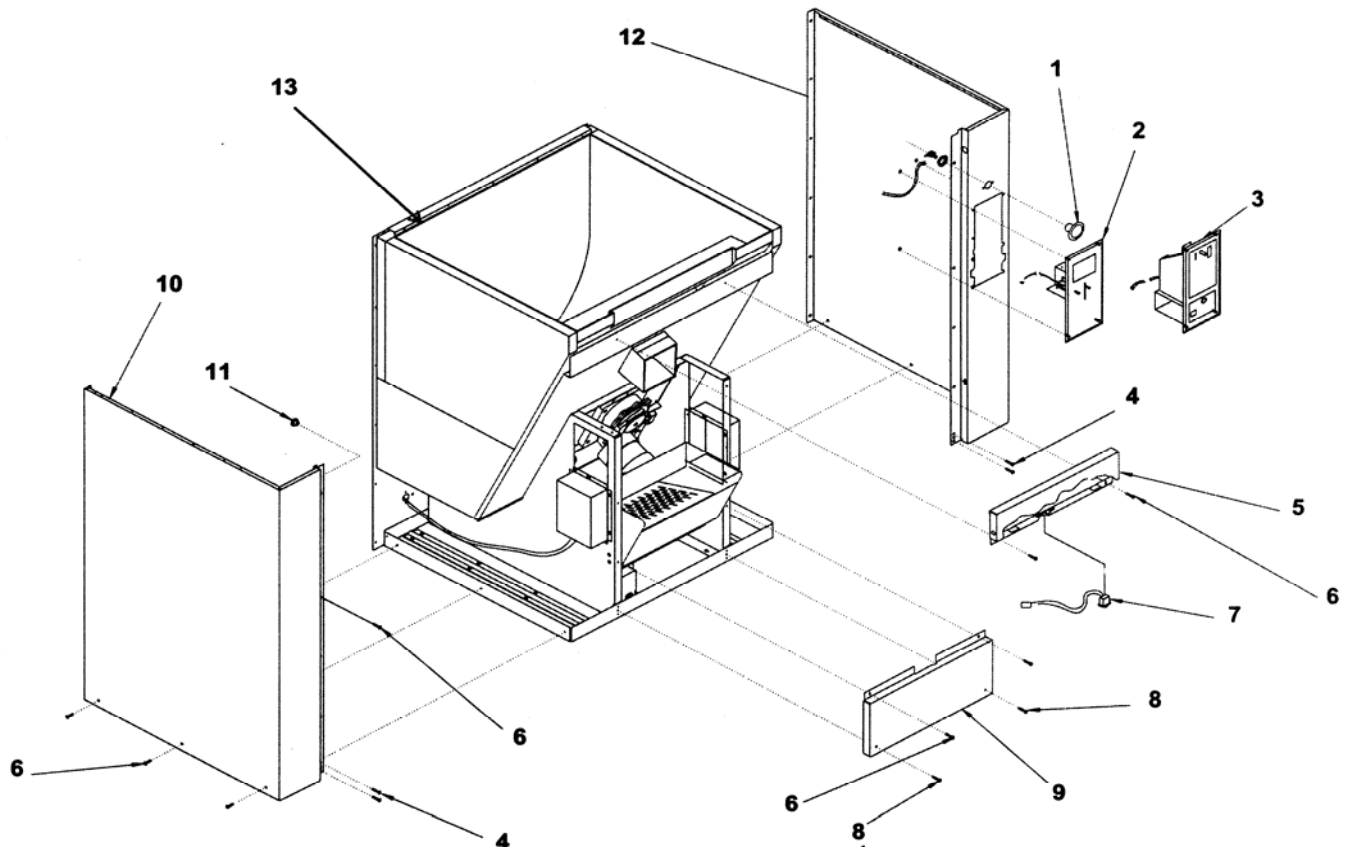
Check carefully that the correct part is identified and ordered.

|                                 |               |
|---------------------------------|---------------|
| <b>Table of Contents</b>        | <b>Page 1</b> |
| <b>Panels</b>                   | <b>Page 2</b> |
| <b>Cabinet</b>                  | <b>Page 3</b> |
| <b>Lower Cabinet Parts</b>      | <b>Page 4</b> |
| <b>Hopper and Rotor</b>         | <b>Page 5</b> |
| <b>Dispensing Components</b>    | <b>Page 6</b> |
| <b>Gear Drive</b>               | <b>Page 7</b> |
| <b>Control Box</b>              | <b>Page 8</b> |
| <b>Coin and Card Mechanisms</b> | <b>Page 9</b> |

**Ice-O-Matic**  
**11100 East 45th Ave.**  
**Denver, Co. 80239**

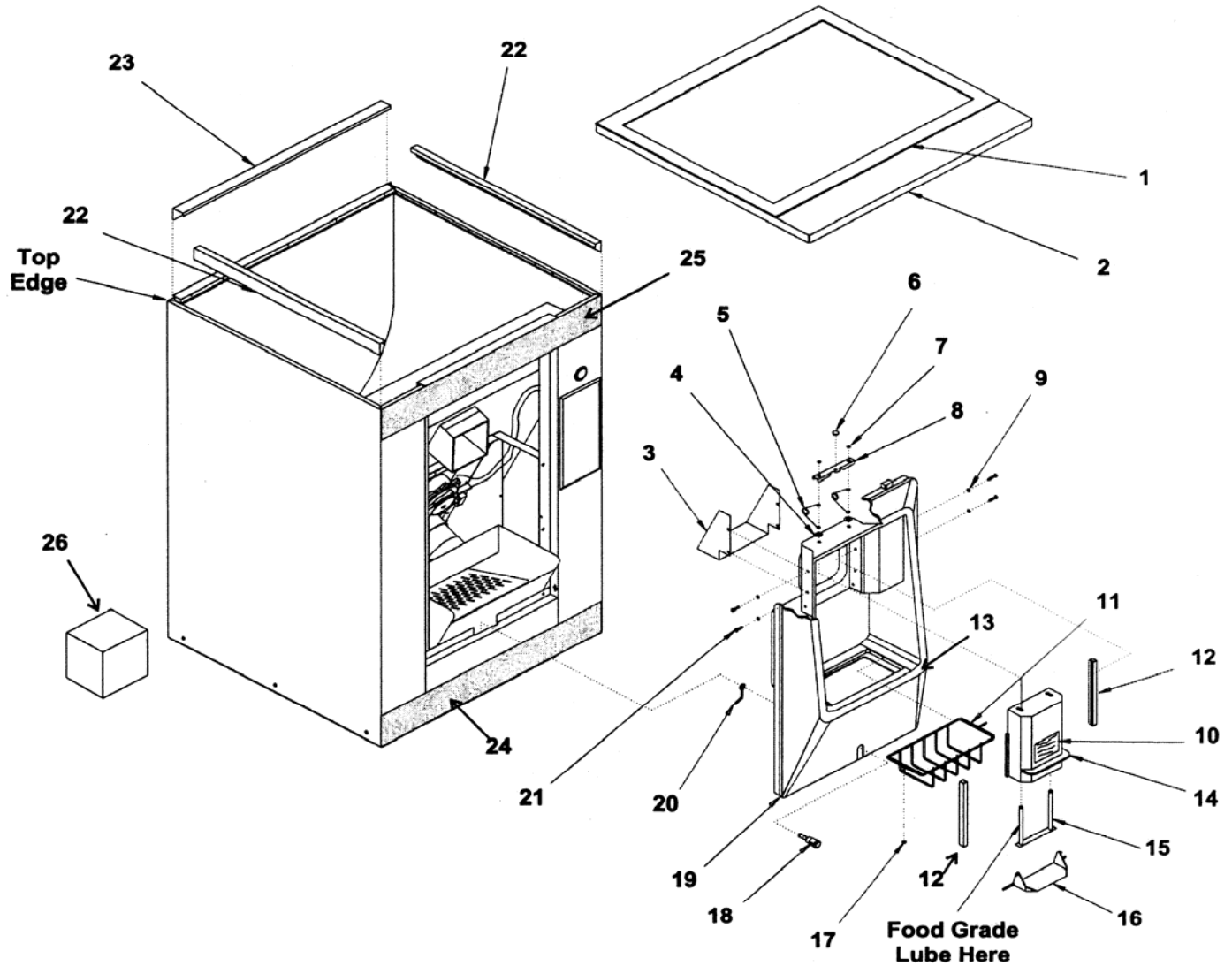
**The CD300 Service Installation Manual is available separately, Part Number 9081292-01**

# CD300 Hotel Dispenser Service Parts Panels



| Item No. | Part Number | Description          | Item No. | Part Number | Description                   |
|----------|-------------|----------------------|----------|-------------|-------------------------------|
| 1        | 1011339-34  | Push Button Switch   | 8        | NLA         | Screw                         |
| 2        | See Page 9  | Card Kit             | 9        | NLA         | SS Panel, Bottom              |
| 3        | See Page 9  | Coin Mech            | 10       | NLA         | SS Left Side Panel            |
| 4        | NLA         | Screw                | 11       | NLA         | Strain Relief                 |
| 5        | NLA         | SS Upper Front Panel | 12       | NLA         | SS RH Panel, Coin or Card Kit |
| 6        | NLA         | Screw                | NLA      | NLA         | SS RH Panel, Button Only      |
| 7        | 1011339-84  | Switch               | 13       | NLA         | SS Back Panel                 |

# CD300 Hotel Dispenser Service Parts Cabinet

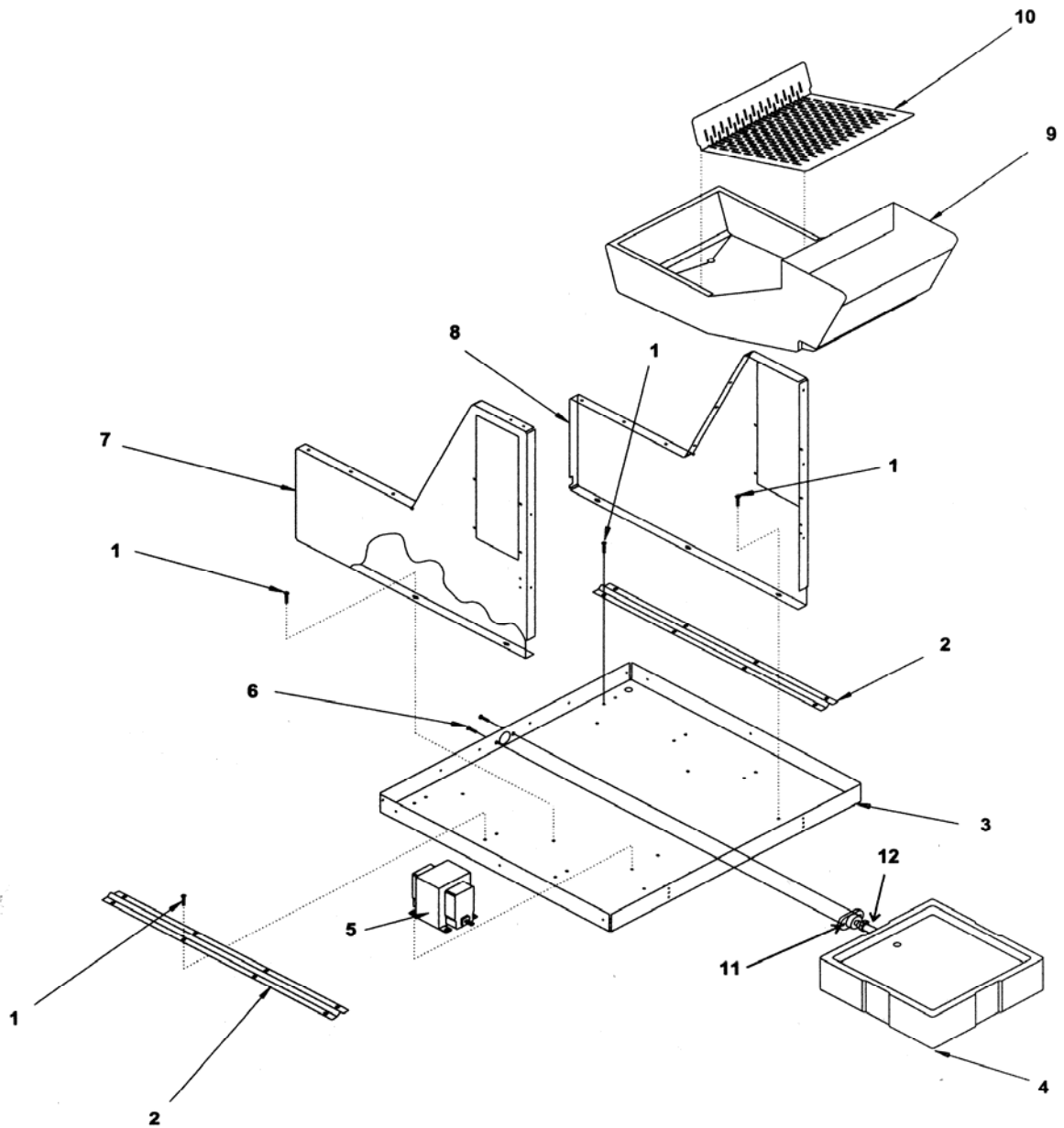


| Item No. | Part Number | Description                 |
|----------|-------------|-----------------------------|
| 1        | 1011339-104 | Gasket, 9 Required          |
| 2        | 1011339-35  | Top Panel-Plastic           |
| 3        | 1011339-107 | Shield                      |
| 4        | NLA         | Washer                      |
| 5        | 1011339-09  | Spring                      |
| 6        | 1011339-40  | Bumper                      |
| 7        | 1011339-96  | Retainer                    |
| 8        | 1011339-132 | Bar                         |
| 9        | 1011339-52  | Washer                      |
| 10       | NLA         | Button, Dispense Decal Only |
| 11       | 1011339-23  | Grill                       |
| 12       | 1011339-27  | Track                       |
| 13       | 1011339-142 | Optional Ice Baffle Kit     |
| 14       | 1011339-05  | Dispensing Hood Label       |

| Item No. | Part Number | Description                |
|----------|-------------|----------------------------|
| 15       | 1011339-106 | Return Assembly            |
| 16       | 1011339-06  | Ice Chute                  |
| 17       | 1011339-76  | Nut                        |
| 18       | NLA         | Lock Kit                   |
| 18       | 1011339-29  | Key                        |
| 19       | NLA         | Sink                       |
| 20       | N/A         | Latch, Included in Item 18 |
| 21       | 1011339-38  | Thumb Screw                |
| 22       | 1011339-126 | Side Bracket               |
| 23       | 1011339-125 | Rear Bracket               |
| 24       | 1011339-102 | Bottom Label               |
| 25       | 1011339-101 | Top Label                  |
| 26       | 1011339-143 | NLA                        |

# CD300 Hotel Dispenser Service Parts

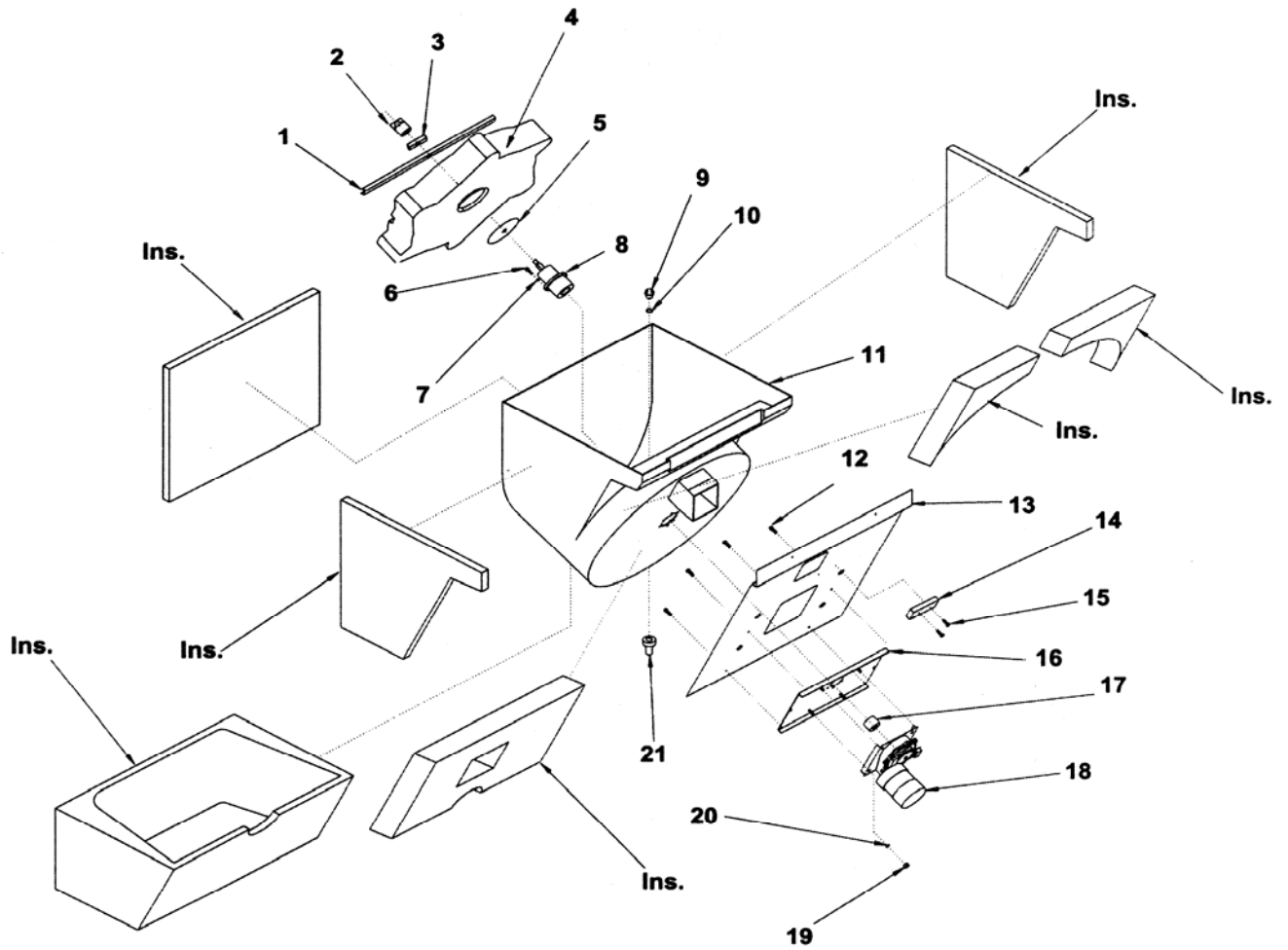
## Lower Cabinet Parts



| Item No. | Part Number | Description           |
|----------|-------------|-----------------------|
| 1        | 1011339-74  | Screw                 |
| 2        | NLA         | Brace                 |
| 3        | NLA         | Base                  |
| 4        | 1011339-141 | Drain Pan And Fitting |
| 5        | NLA         | 50 HZ. Transformer    |
| 6        | NLA         | Screw                 |
| 7        | NLA         | Bin Support, Left     |

| Item No. | Part Number | Description        |
|----------|-------------|--------------------|
| 8        | NLA         | Bin Support, Right |
| 9        | 1011339-129 | Drain Chute        |
| 10       | 1011339-130 | Dam Screen         |
| 11       | NLA         | Drain Fitting      |
| 12       | 1011339-36  | Drain Tube         |
|          | NLA         | Hose Clamp-Bottom  |
|          | NLA         | Hose Clamp-Top     |

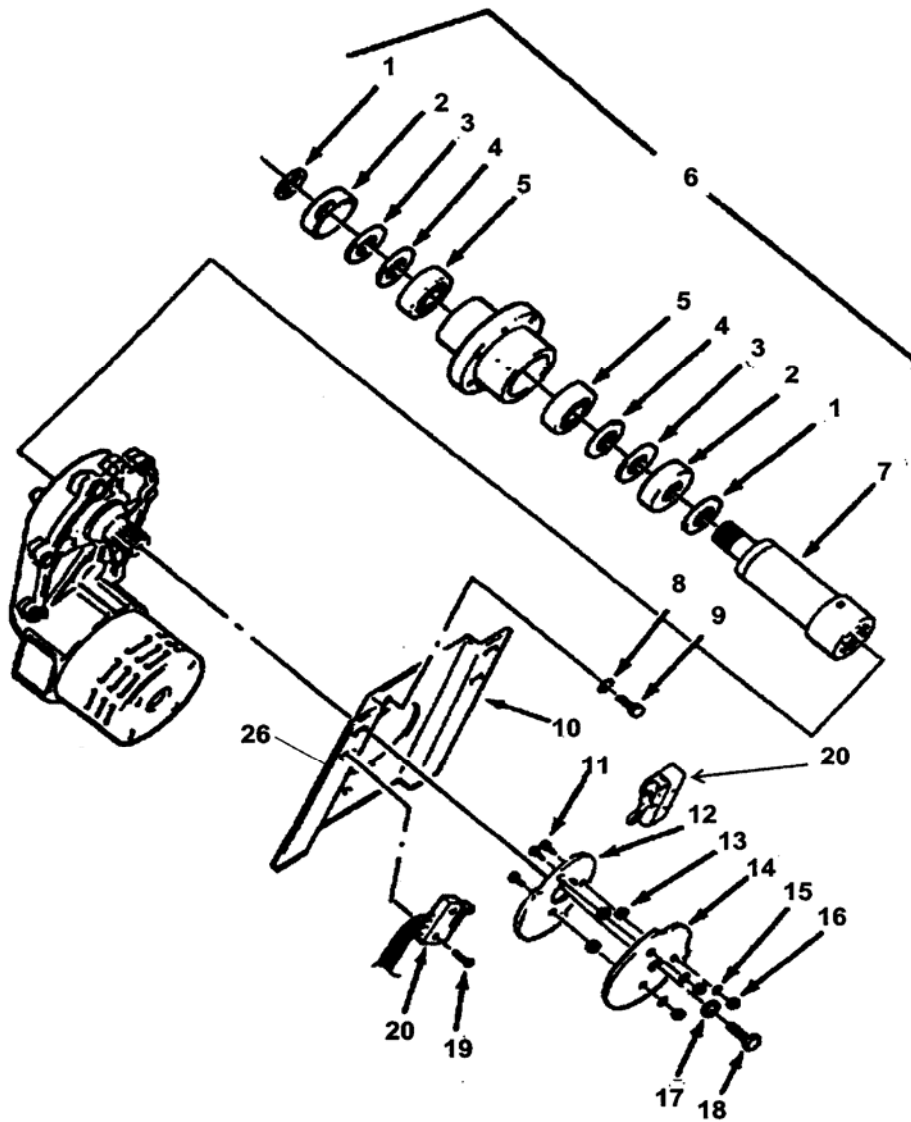
# CD300 Hotel Dispenser Service Parts Hopper And Rotor



| Item No. | Part Number | Description       |
|----------|-------------|-------------------|
| 1        | 1011339-134 | Rotor Channel     |
| 2        | 1011339-28  | Rotot Nut         |
| 3        | 1011339-33  | Drive Block       |
| 4        | 1011339-133 | Rotor Channel     |
| 5        | 1011339-77  | Washer            |
| 6        | NLA         | Screw             |
| 7        | 1011339-66  | Washer            |
| 8        | NLA         | Shaft And Housing |
| 9        | NLA         | Drain Top         |
| 10       | NLA         | O-Ring            |
| 11       | NLA         | Storage Bin       |

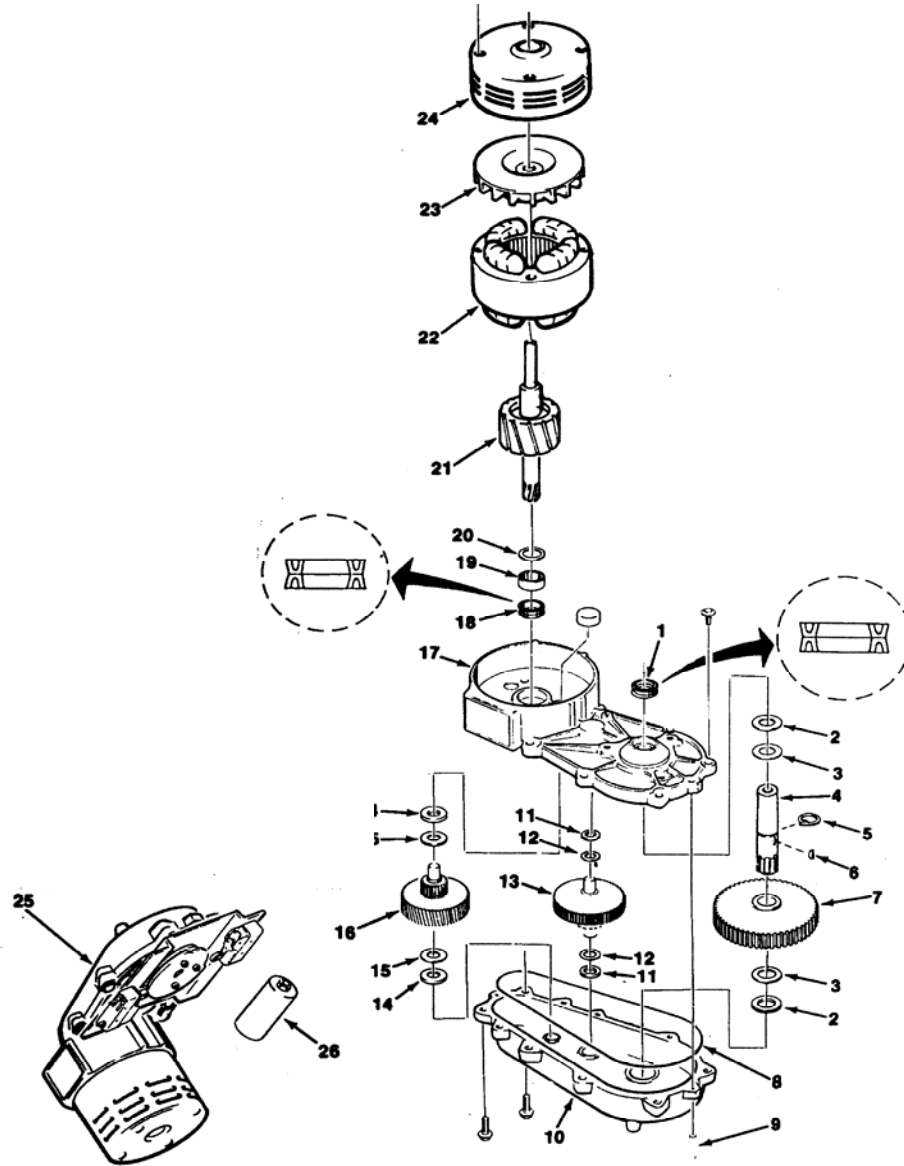
| Item No. | Part Number | Description        |
|----------|-------------|--------------------|
| 12       | NLA         | Screw              |
| 13       | NLA         | Retainer           |
| 14       | NLA         | Terminal Block     |
| 15       | NLA         | Screw              |
| 16       | NLA         | Gear Motor Support |
| 17       | 1011339-97  | Coupling           |
| 18       | 1011339-108 | Gear And Motor     |
| 19       | NLA         | Hex Nut            |
| 20       | NLA         | Lockwasher         |
| 21       | NLA         | Drain              |

# CD300 Hotel Dispenser Service Parts Dispensing Components



| Item No. | Part Number | Description        | Item No. | Part Number | Description |
|----------|-------------|--------------------|----------|-------------|-------------|
| 1        | 1011339-69  | Retaining Ring     | 11       | NLA         | Screw       |
| 2        | NLA         | Cup Closure        | 12       | NLA         | Cam, Bottom |
| 3        | NLA         | Special Washer     | 13       | NLA         | Spacer      |
| 4        | NLA         | Flinger            | 14       | NLA         | Cam         |
| 5        | NLA         | Bearing Cup        | 15       | NLA         | Lockwasher  |
| 5        | NLA         | Bearing Cone       | 16       | NLA         | Nut         |
| 6        | NLA         | Bearing Housing    | 17       | NLA         | Lockwasher  |
| 7        | 1011339-32  | Shaft and Coupling | 18       | NLA         | Screw       |
| 8        | NLA         | Lockwasher         | 19       | NLA         | Screw       |
| 9        | NLA         | Screw              | 20       | 1011339-91  | Cam Switch  |
| 10       | NLA         | Bracket            | 21       | NLA         | Speed Nut   |

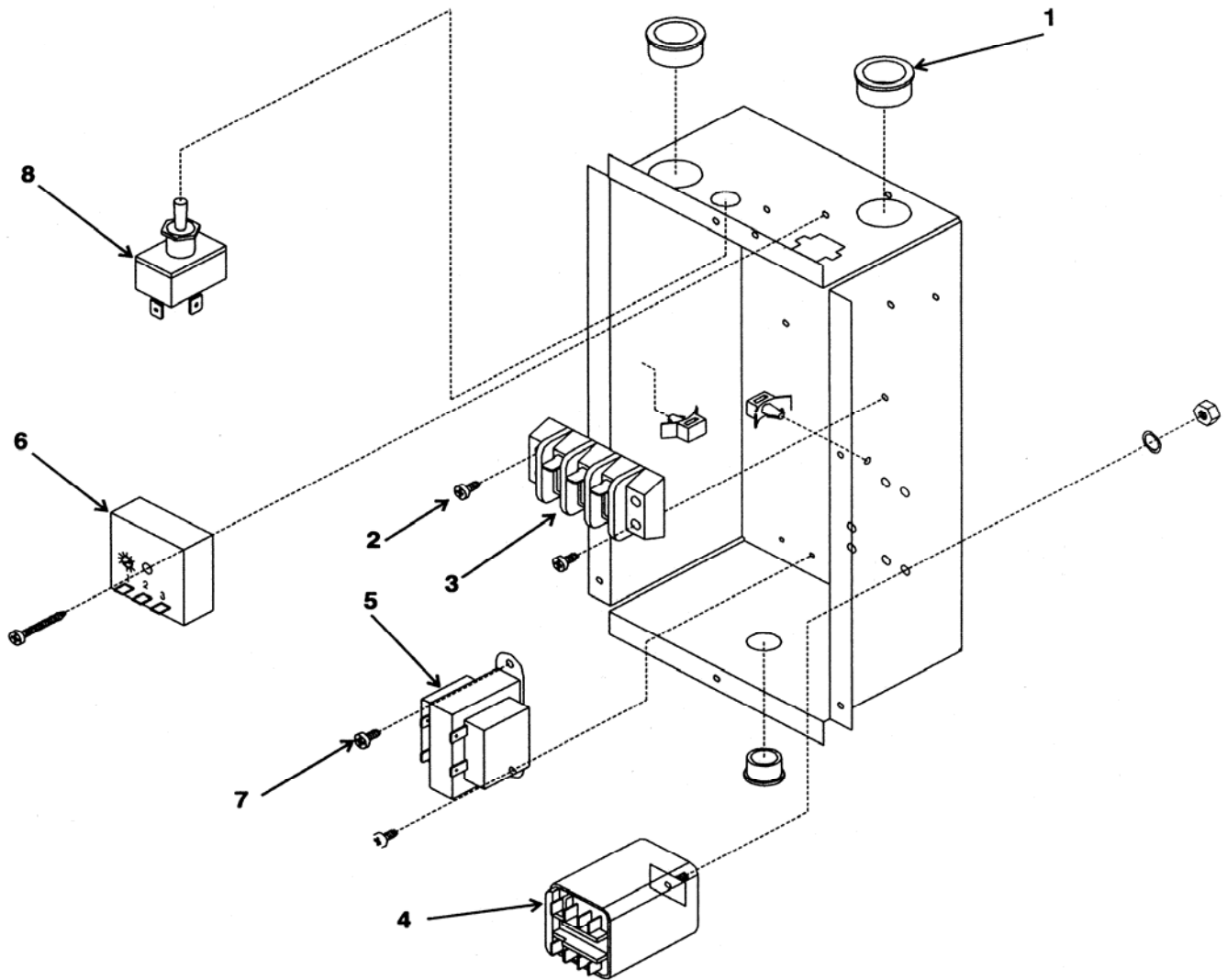
# CD300 Hotel Dispenser Service Parts Gear Drive



| Item No. | Part Number | Description               | Item No. | Part Number | Description                  |
|----------|-------------|---------------------------|----------|-------------|------------------------------|
| 1        | 1011339-02  | Grease seals (2)          | 14       | NLA         | Washer                       |
| 2        | 1011339-57  | Washer                    | 15       | 1011339-59  | Washer                       |
| 3        | 1011339-55  | Washer                    | 16       | 1011339-16  | First Gear, Second Pinion    |
| 4        | NLA         | Output Shaft              | 17       | NLA         | Gear Box Cover               |
| 5        | NLA         | Retaining Ring            | 18       | 1011339-03  | Grease Seal                  |
| 6        | NLA         | Woodruff Key              | 19       | 1011339-01  | Bearing                      |
| 7        | NLA         | Output Gear               | 20       | NLA         | Washer                       |
| 8        | 1011339-04  | O-Ring                    | 21       | NLA         | Rotor Assembly               |
| 9        | 1011339-39  | Roll Pin                  | 22       | NLA         | Stator (115)                 |
| 10       | NLA         | Gear Case Assembly        | 23       | NLA         | Cooling Fan                  |
| 11       | 1011339-60  | Washer                    | 24       | NLA         | Motor Housing                |
| 12       | 1011339-61  | Washer Shim               | 25       | 1011339-108 | Gear Motor, Less Cam Bracket |
| 13       | NLA         | Second Gear, Third Pinion | 26       | 1011339-103 | Capacitor                    |



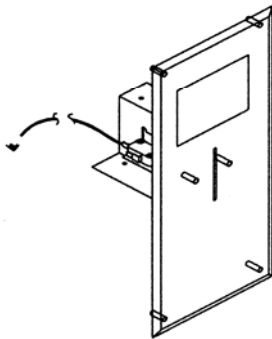
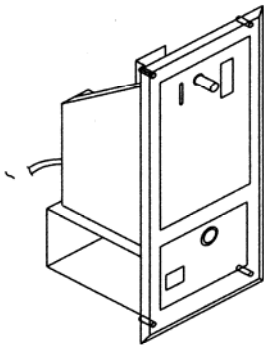
# CD300 Hotel Dispenser Service Parts Control Box



| Item No. | Part Number | Description            | Item No. | Part Number | Description                   |
|----------|-------------|------------------------|----------|-------------|-------------------------------|
| 1        | NLA         | Snap Bushing           | 6        | 1011339-93  | Recycling Timer               |
| 2        | NLA         | Screw                  | 7        | NLA         | Screw                         |
| 3        | NLA         | Terminal Strip         | 8        | 1011339-78  | Toggle Switch                 |
| 4        | 1011339-86  | Relay                  | 9        | NLA         | Control Box Cover (Not Shown) |
| 5        | 1011339-94  | Transformer (115P-24S) |          |             |                               |

# CD300 Hotel Dispenser Service Parts

## Coin And Card Mechanisms



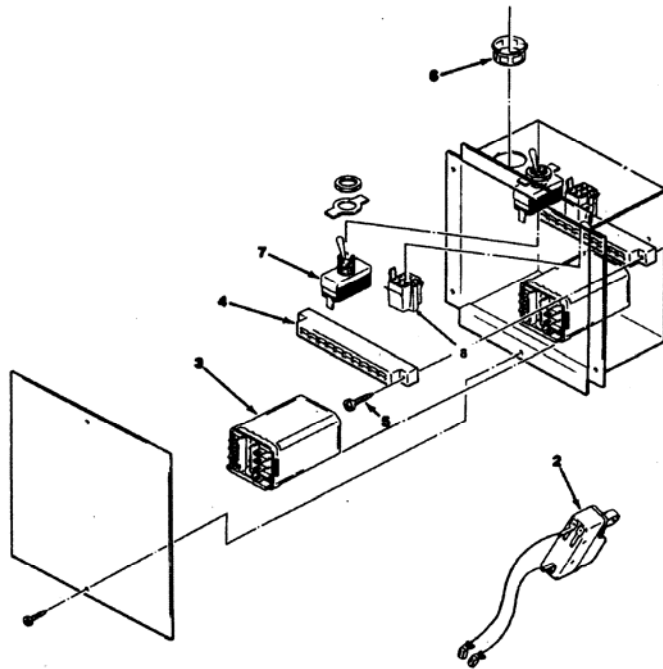
### Coin Mechanism

### Kit Complete 1011339-24

| Item No. | Part Number | Description                      |
|----------|-------------|----------------------------------|
| 1        | NLA         | Lock Kit (Includes Key and Lock) |
| 2        | 1011339-24  | Coin Return Kit                  |
| 3        | NLA         | Cash Box Key                     |
| 4        | 1011339-26  | Coin Switch                      |
| 5        | NLA         | Label                            |

### Key Card

| Item No. | Part Number | Description     |
|----------|-------------|-----------------|
| 1        | NLA         | Cover Plate, SS |
| 2        | NLA         | Microswitch     |
| 3        | NLA         | Label           |



### Relay Box For Coin Mechanism

| Item No. | Part Number | Description    | Item No. | Part Number | Description      |
|----------|-------------|----------------|----------|-------------|------------------|
| 1        | N/A         | Relay Box      | 5        | NLA         | Screw            |
| 2        | NLA         | Cam Switch     | 6        | NLA         | Bushing          |
| 3        | 1011339-86  | Relay          | 7        | NLA         | Switch           |
| 4        | NLA         | Terminal Block | 8        | NLA         | Plug And Harness |