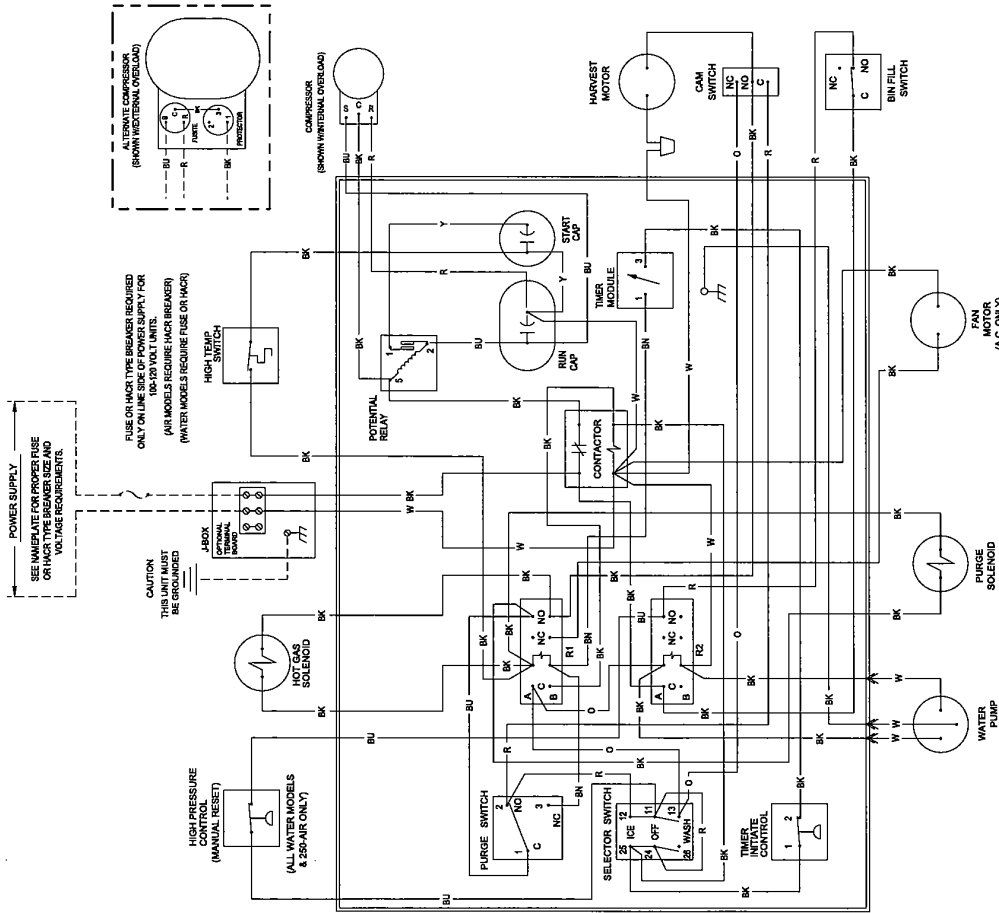
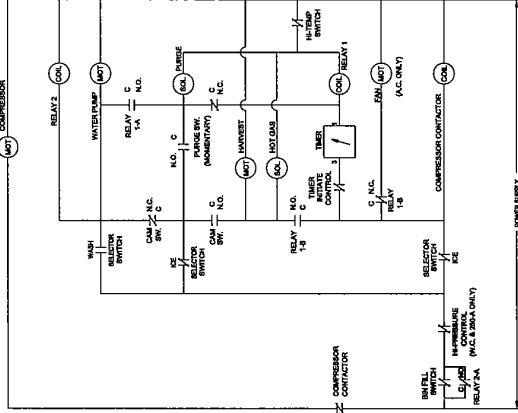


C50 and EC500 Air and Water



WIRING SCHEMATIC
AIR & WATER

(SHOWN IN TIMED PORTION FREEZE CYCLE)



807114-01
REV. 088