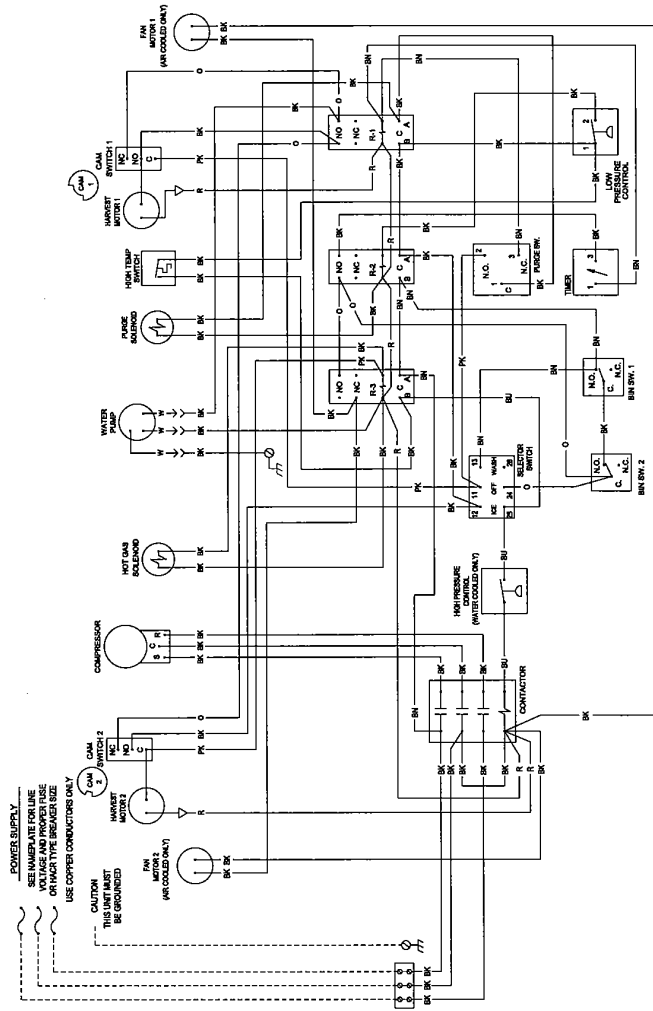


C137/187 Air and Water



901763-01

