

4.0 CUBERS: C61-C66-C81-C106-C121-"B" SERIES AIR, WATER AND REMOTE

Item Code	Part Description	Part Number	GRP	C	C	C	C	C
				61	66	81	106	121
AIR COOLED								
5	Air Condenser	NLA	AC	X				
5	Air Condenser	NLA	AC			X		X
5	Air Condenser	NLA	AC				X	
5	Air Condenser	NLA	AC		X			
10	Fan Blade 10"	9131053-01	AC			X		X
10	Fan Blade 10" 36 degree	9131053-03	AC	X	X			
10	Fan Blade 10" 40 degree	NLA	AC				X	
11	Fan Control	9041003-01	AC			X		
11	Fan Control	9041003-02	AC		X			X
15	Fan Motor 16 watt 115V	9161045-04	AC			X		X
15	Fan Motor 35 watt	9161078-01	AC	X				
15	Fan Motor 35 watt 230V	9161078-03	AC		X			
15	Fan Motor 50 watt	9161027-01	AC				X	
20	Fan Motor Bracket	9131054-01	AC	X	X	X	X	X
25	Fan Shroud	NLA	AC	X	X			
25	Fan Shroud (METAL) AFTER 1/95	3013112-01	AC				X	
25	Fan Shroud	9131131-01	AC			X	X	X
30	Fan Shroud - Push Rivet	NLA	AC	X	X	X	X	X
COMPRESSOR AND COMPONENTS (*Kit Includes Drier and Start Components)								
100	*Compressor Kit C106	9181072-11	C				X	
100	*Compressor Kit-3 Ph CRC1-0175-TF5	NLA	C				X	
100	*Compressor Kit-COPE CRE2-0225-PFV	NLA	C					X
100	*Compressor Kit-COPE RSN4-0075-CAV	NLA	C	X				
100	*Compressor Kit-COPE	NLA	C		X			
101	Overload	NLA	C	X				
105	Run Capacitor	9181009-08	C	X				
105	Run Capacitor	9181009-11	C		X			
105	Run Capacitor	9181009-16	C				X	
105	Run Capacitor (Cope)	9181009-12	C			X		X
110	Start Capacitor	9181003-20	C		X			
110	Start Capacitor (Cope)	9181003-19	C				X	X
110	Start Capacitor	9181003-08	C	X				
110	Start Capacitor	NLA	C			X		X
115	Start Relay	9181010-04	C	X				
115	Start Relay	9181010-06	C			X		X
115	Start Relay (Cope)	9181010-10	C				X	X
115	Start Relay	9181010-12	C		X			
ELECTRICAL								
205	Bin Control Thermostat SPDT	9041055-01	E		X		X	
210	Contactora - 1 Pole 115V	9101002-03	E	X		X		X
210	Contactora-1 Pole 230V	9101002-04	E		X		X	X
210	Contactora - 3 Pole 115V	NLA	E			X		X
210	Contactora - 3 Pole 230V	9101079-02	E				X	
215	Terminal Block - 5 Position	9101037-03	E		X	X		X
215	Terminal Block - 6 Position	NLA	E			X		X
215	Terminal Block - 4 Position	9101037-02	E	X		X		X
215	Terminal Block - 3 Position	9101037-01	E	X	X	X		X
220	High Temp Safety Thermostat	9041087-03	E	X	X	X	X	X
225	Relay 230V	9101084-02	E		X		X	
225	Relay 115V	9101084-01	E	X		X		X
230	Relay Socket	9101083-01	E	X	X	X	X	X
235	Switch Assy-Bin Control (LH)	2061471-04	E			X		X
236	Switch Assy-Bin Control (RH)	2061471-03	E	X	X	X	X	X

4.0 CUBERS: C61-C66-C81-C106-C121-"B" SERIES AIR, WATER AND REMOTE

Item Code	Part Description	Part Number	GRP	C	C	C	C	C
				61	66	81	106	121
ELECTRICAL (Continued)								
240	Switch-Bin Control Limit (Curtain)	9101124-02	E	X	X	X	X	X
245	Switch-On/Off/Wash (Toggle)	9101086-01	E	X		X		X
245	Switch-On/Off/Wash (Rocker)	9101195-01	E		X		X	
250	Switch-Purge (Metal)	9101056-02	E	X		X		X
250	Switch-Purge (Plastic)	9101125-01	E	X		X		X
250	Switch-Purge (Rocker)	9101139-03	E		X		X	
255	Timer Module	9101148-01	E	X	X	X	X	X
EVAPORATOR								
300	Evaporator Plastic Bottom	9051135-04	EV	X	X	X	X	X
305	Evaporator Plastic Side Panel LH	9051136-05	EV	X	X	X		X
305	Evaporator Plastic Side Panel LH	9051170-04	EV				X	
310	Evaporator Plastic Side Panel RH	9051170-03	EV				X	
310	Evaporator Plastic Side Panel RH	9051136-06	EV	X	X	X		X
315	Evaporator Plastic Top-Spillway	9051135-05	EV	X	X	X	X	X
320	Evaporator Plate Assy-Full Cube	2051126-81	EV				X	
320	Evaporator Plate Assy-Half Cube RH	2051126-82	EV				X	
320	Evaporator Plate Assy-Full Cube RH	2051147-81	EV			X		X
320	Evaporator Plate Assy-Half Cube RH	2051147-82	EV			X		X
320	Evaporator Plate Assy-Jumbo RH	NLA	EV			X		X
320	Evaporator Plate Assy-Full Cube LH	2051148-81	EV	X	X	X		X
320	Evaporator Plate Assy-Half Cube LH	2051148-82	EV	X	X	X		X
320	Evaporator Plate Assy-Jumbo LH	NLA	EV	X	X	X		X
HARVEST MOTOR ASSEMBLY								
900	Bushing - Large	9051001-13	HA	X	X	X	X	X
900	Bushing - Small	NLA	HA	X	X	X	X	X
905	Clutch (Cam) 10 Degree LH (Sec)	9131190-02	HA			X		X
905	Clutch (Cam) 160 Degree	9131190-01	HA	X	X		X	
905	Clutch (Cam) 70 Degree (Primary)	9131190-03	HA			X		X
910	Connecting Rod	9051057-01	HA	X	X	X	X	X
915	Drip Shield	NLA	HA		X		X	
920	Harvest Assist Assy	NLA	HA	X	X	X	X	X
925	Hex Nut (PLASTIC TIP SHAFT)	NLA	HA	X	X	X	X	X
925	Hex Nut 10 x 32 (Swivel/Shaft)	9031005-03	HA	X	X	X	X	X
930	Probe Motor (115V)	9161030-01	HA	X		X		X
930	Probe Motor (230V)	9161031-01	HA		X		X	
935	Probe Shaft 4.5 x .219 Stainless Steel	9131189-01	HA	X	X	X	X	X
935	Probe Shaft 4.5 x .125 (PLASTIC TIP)	9021053-02	HA	X		X		X
940	Screw Shoulder (Rod/Clutch)	9031119-01	HA	X	X	X	X	X
945	Screw #4 - 40 x 3/4 (Micro Switch)	9031008-16	HA	X	X	X	X	X
950	Screw #6 - 32 x 1/2 (Motor)	9031019-08	HA	X	X	X	X	X
955	Speed Nut Plate (Switch To Bracket)	9031120-01	HA	X	X	X	X	X
955	Hex Nut 4 x 40 (Switch)	NLA	HA	X	X	X	X	X
960	Switch Insulator (Micro)	3051145-01	HA	X	X	X	X	X
965	Switch - Cam (Large)	9101023-01	HA	X		X		X
965	Switch - Cam (Micro)	9101160-01	HA	X	X	X	X	X
970	Swivel for 9021053-02	9021017-01	HA	X		X		X
970	Swivel for 9131189-01	9021017-02	HA	X	X	X	X	X
975	Washer - Flat #10, Stainless	9031003-03	HA	X	X	X	X	X

4.0 CUBERS: C61-C66-C81-C106-C121-"B" SERIES AIR, WATER AND REMOTE

Item Code	Part Description	Part Number	GRP	C	C	C	C	C
				61	66	81	106	121
MISCELLANEOUS								
	Water Trough Clip	3012545-01	M	X	X		X	
405	Hose Clamp #14	9021010-03	M	X	X	X	X	X
410	Hose Clamp #18	9021010-04	M	X	X	X	X	X
420	Ice Deflector Kit (W/O Thermo-well)	1051026-01	M	X	X		X	
420	Ice Deflector Kit (W/O Thermo-well)	1051026-02	M			X		X
425	Ice Deflector Kit (With Thermo-well)	1051026-03	M	X	X		X	
425	Ice Deflector Kit (With Thermo-well)	1051026-04	M			X		X
430	Ice Deflector	3011756-01	M			X		X
430	Ice Deflector	NLA	M	X	X		X	
435	Screw Retainer (Rubber Washer)	9031004-19	M	X	X	X	X	X
440	Screw-Water Trough	9031122-02	M	X	X	X	X	X
445	Screw-Water Tube Assy	9031122-01	M	X	X	X	X	X
450	Water Trough Guard	NLA	M	X	X		X	
PANELS								
	Paint Beige Touch-up (Spray Can)	NLA	P	X	X	X	X	X
	Paint Grey Touch-up (Spray Can)	NLA	P	X	X	X	X	X
502	Control Box Cover	NLA	P		X			
502	Control Box Front Cover	NLA	P			X		X
502	Control Box Cover	NLA	P				X	
504	Control Box Panel Top	NLA	P			X		X
504	Control Box Panel Top	NLA	P				X	
506	Front Panel, Stainless	NLA	P			X		X
506	Front Panel, Stainless	NLA	P		X			
506	Front Panel, Stainless	NLA	P				X	
506	Front Panel, Grey	NLA	P				X	
506	Front Panel, Grey (C66)	NLA	P		X			
510	J-Clip (Adheres To Top Panel)	NLA	P	X	X	X	X	X
514	Cabinet Brace (Rear)	NLA	P			X		X
514	Rear Brace	3012515-01	P	X	X		X	
516	Rear Panel	NLA	P		X			
516	Rear Panel	NLA	P				X	
516	Rear Panel	NLA	P			X		X
520	Screw #8-18 x 1-1/2 (Plated)	NLA	P			X		
520	Screw #8-18 x 3/4	NLA	P				X	
520	Screw #8 - 18 x 1-1/2, Stainless	NLA	P	X	X	X	X	X
522	Screw #8-18 x 3/8, Stainless	NLA	P	X	X	X	X	X
522	Screw #8-18 x 3/8 (Plated)	NLA	P	X	X	X	X	X
528	Side Panel w/o Louvers, Stainless	3021378-04	P		X			
528	Side Panel w/o Louvers, Grey	NLA	P		X			
528	Side Panel w/o Louvers LH, Grey	NLA	P				X	
528	Side Panel LH, Stainless	NLA	P				X	
530	Side Panel w/ Louvers RH, Stainless	3021559-02	P				X	
530	Side Panel w/ Louvers, Grey	NLA	P		X			
530	Side Panel w/ Louvers RH, Grey	NLA	P				X	
530	Side Panel w/ Louvers, Stainless	3021378-02	P		X			
536	Top Panel, Grey	NLA	P		X		X	
536	Top Panel, Stainless	3021432-01	P			X		X
536	Top Panel, Stainless	3021433-01	P	X	X		X	
REFRIGERATION								
600	Expansion Valve - Sweat 502	9151006-06	REF		X			X
600	Expansion Valve-R22	9151072-01	REF				X	
600	Expansion Valve Tube Assembly*	NLA	REF				X	
600	Expansion Valve	9151020-01	REF			X		

4.0 CUBERS: C61-C66-C81-C106-C121-"B" SERIES AIR, WATER AND REMOTE

Item Code	Part Description	Part Number	GRP	C	C	C	C	C
				61	66	81	106	121
REFRIGERATION (Continued)								
600	Expansion Valve - Flared 502	9151006-01	REF	X				X
601	Check Valve	NLA	REF			X		X
605	Distributor (Refrigerant)	9151061-01	REF				X	
615	Filter Drier	9151004-02	REF	X	X			
615	Filter Drier	9151004-04	REF			X	X	X
615	Drier Receiver	9151033-01	REF	X		X		X
620	High Pressure Control 400	9041051-02	REF	X	X		X	X
620	High Pressure Control 250	NLA	REF			X		
625	Hot Gas Valve Body 3/8" Tube - ALCO	9151123-01	REF	X	X	X		
630	Hot Gas Valve Coil - ALCO	9151123-03	REF	X		X		
630	Hot Gas Valve Coil - ALCO 230V	9151123-04	REF		X		X	
630	Hot Gas Valve Complete - 1/2" Tube 230V	9151090-01	REF				X	X
635	Low Pressure Timing Initiate	9041094-01	REF	X	X	X	X	X
640	Service Valve Assy	NLA	REF	X	X	X	X	X
645	Service Valve Core	9091086-02	REF	X	X	X	X	X
650	Service Valve Cap	9091086-03	REF	X	X	X	X	X
*Includes Brazed Expansion Valve, Distributor And Tubing Assembly								
REMOTE								
700	Accumulator Assembly	2091139-01	REM		X		X	
705	Contactator - 2 Pole Remote	9101015-04	REM		X		X	
710	Filter Drier - Remote	9151004-04	REM	X	X	X	X	X
715	Liquid Line Solenoid Body - ALCO	9151123-02	REM	X	X	X		
715	Liquid Line Solenoid Coil - ALCO 115V	9151123-03	REM	X		X		
720	Liquid Line Solenoid Coil - ALCO 230V	9151123-04	REM		X			
715	Liquid Line Solenoid - Sporlan 1/2"	9151090-01	REM				X	X
725	Mixing Valve (R502-192 LB.)	9151027-02	REM	X	X			X
725	Mixing Valve (R22-180LB).	NLA	REM				X	
725	Mixing Valve (R12-125 LB.)	NLA	REM			X		
730	Pump Down Control 9041040-03/02	9041040-01	REM	X	X		X	X
730	Pumpdown Control Assy C84	9041040-01	REM			X		
735	Receiver	9151060-01	REM			X	X	X
735	Receiver (With ROTO-LOC Valve)	9151026-01	REM	X				
735	Receiver (Sweat)	9151074-01	REM		X			
736	Fusible Plug (9151026-01)	NLA	REM	X				
REMOTE CONDENSER								
740	Coupling Half Bulkhead 1/2	9091001-12	RC	X	X	X	X	X
745	Coupling Half Bulkhead 3/8	9091001-11	RC	X	X	X	X	X
750	Coupling Half Lineset 1/2	9091001-08	RC	X	X	X	X	X
755	Coupling Half Lineset 1/2 w/port	9091001-10	RC	X	X	X	X	X
760	Coupling Half Lineset 3/8	9091001-02	RC	X	X	X	X	X
765	Coupling Half Lineset 3/8 w/port	9091001-04	RC	X	X	X	X	X
770	Fan Blade (Larkin Only)	1011179-98	RC		X		X	
775	Fan Motor (Larkin Only) (230V)	1011179-99	RC		X		X	
775	Fan Motor (Larkin Only) (115V)	1011180-99	RC	X				
780	Fan Shroud (Larkin Only)	1011179-97	RC		X		X	
781	Up Grade Kit (Mtr,Brkt,Bld) RC120-2	NLA	RC					X
781	Up Grade Kit (Mtr,Brkt,Bld) RC126-2	NLA	RC					
781	Up Grade Kit (Motor,Brkt, Fan Blade)	NLA	RC	X		X		X
782	Fan Support (In Kit)	NLA	RC	X		X		X
783	Fan Blade (In Kit--18" Dia)	NLA	RC	X		X		X
783	Fan Blade (In Kit RC120-2-20" Dia)	9131214-01	RC					X
784	Fan Motor (In Kit 115V)	9161087-01	RC	X		X		X

4.0 CUBERS: C61-C66-C81-C106-C121-"B" SERIES AIR, WATER AND REMOTE

Item Code	Part Description	Part Number	GRP	C	C	C	C	C
				61	66	81	106	121
WATER COOLED								
790	Water Condenser	9141024-01	WC	X	X	X		
790	Water Condenser	9141020-01	WC				X	X
795	Water Regulator Valve	9041010-01	WC	X		X		X
795	Water Regulator Valve	9041059-01	WC		X		X	
797	Filter Drier	9151004-02	WC	X	X			
797	Filter Drier	9151004-04	WC			X	X	X
WATER DISTRIBUTION								
800	Water Distribution Tube LH	2041338-02	WD			X		X
802	Water Distribution Tube RH	2041338-01	WD	X	X	X	X	X
805	Water Inlet Fitting	9091083-01	WD		X		X	
810	Water Inlet Polyurethane Tube (26")	6021032-01	WD		X		X	
815	Water Pump Tube	9051254-01	WD				X	
815	Water Pump Tube	NLA	WD			X		X
815	Water Pump Tube	9051142-01	WD	X	X			
820	Water Splash Curtain	9051154-12	WD				X	
820	Water Splash Curtain, (Prior 10/86)	NLA	WD	X		X		X
820	Water Splash Curtain, (After 10/86)	9051154-08	WD	X	X	X		X
825	Water Trough, Smooth (Before 10/86)	NLA	WD	X				
825	Water Trough Kit (Trough And Spprt)	NLA	WD	X			X	
825	Water Trough, Rigid (After 10/86)	9051537-01	WD	X	X		X	
825	Water Trough, Rigid (After 10/86)	9051153-07	WD			X		X
825	Water Trough, Smooth (Before 10/86)	NLA	WD			X		X
WATER FLOAT								
844	Water Float Gasket	9051204-01	WF	X				
845	Water Float Assy (Top Mount)	9131111-01	WF		X	X	X	X
847	Water Float Assy (Side Mount)	9131180-01	WF	X				
WATER PUMP								
850	Water Pump Bracket, Stainless	NLA	WP			X		X
850	Water Pump Bracket, Grey	NLA	WP		X		X	
850	Water Pump Bracket, Stainless Steel	3012509-01	WP		X		X	
875	Water Pump 1550 RPM 115V	9161076-01	WP	X				
875	Water Pump 1550 RPM 230V	9161076-02	WP		X			
875	Water Pump 3000 RPM 115V	9161079-01	WP			X		X
875	Water Pump 230V 3000 RPM	9161079-02	WP					
875	Water Pump 3000 RPM 230V	9161079-03	WP				X	
	Thumbscrew for Pump (2 Req)	9161076-101	WP	X	X	X	X	X
WATER PURGE VALVE								
880	Water Prg Vlv Assy (must re-position)	NLA	WPV			X		X
880	Water Purge Valve Assy	9041014-04	WPV				X	
880	Water Purge Valve Assy 115V	9041053-01	WPV	X				
880	Water Purge Valve Assy	9041060-02	WPV		X			
890	Water Purge Valve Coil 230V	9041014-91	WPV			X	X	X
890	Water Purge Valve Coil 115V	9041014-90	WPV	X		X		X
890	Water Purge Valve Coil 230V	NLA	WPV		X		X	

REFRIGERANT CHARGE			PRESSURES		
MODEL	REF TYPE	OZ.	LP	DP	HP
C61A	R502	28	30		
C61W	R502	18	30	225	400
C61R	R502	144	30		400
C66A	R502	32	30		
C66W	R502	18	30	225	400
C66R	R502	160	30		400
C81A	R12	44	13		
C81W	R12	30	13	125	250
C81R	R12	208	13		
C106A	R22	60	30		
C106W	R22	34	30	225	400
C106R	R22	240	30		400
C121A	R502	50	30		
C121W	R502	32	30	225	400
C121R	R502	208	30		400

LP=LOW PRESSURE TIMER INITIATE CONTROL SETTING

DP=DISCHARGE PRESSURE SETTING/WATER COOLED UNITS

HP=HIGH PRESSURE SAFETY CONTROL SETTING

4.1 CUBERS: C65-C85-C105-C125-"B" SERIES AIR, WATER AND REMOTE

Item Code	Part Description	Part Number	GRP	C	C	C	C	C
				65	65	85	105	125
AIR COOLED								
15	Fan Motor 16 watt 230V	9161045-06	AC			X		X
15	Fan Motor 33 watt C105	9161059-01	AC				X	
15	Fan Motor 35 watt (50 HZ)	9161078-02	AC	X	X			
COMPRESSOR AND COMPONENTS (*Kit Includes Drier and Start Components)								
100	*Compressor Kit C105	NLA	C				X	
100	Compressor -COPE (50HZ) (9181054-02)	NLA	C	X	X			
100	*Compressor Kit-COPE (50 HZ)(9181054-02)	NLA	C	X	X			
101	Overload (9181054-02 COMP)	NLA	C	X	X			
105	Run Capacitor (9181054-02 COMP)	9181009-09	C	X	X			
105	Run Capacitor (9181081-01 COMP)	9181009-17	C	X	X			
105	Run Capacitor (Cope)	9181009-12	C			X	X	X
110	Start Capacitor	9181003-21	C				X	
110	Start Capacitor (9181081-01)	9181003-26	C	X	X			
110	Start Capacitor	9181003-08	C	X	X			
110	Start Capacitor	NLA	C			X		X
110	Start Relay	NLA	C				X	
115	Start Relay	9181010-04	C	X	X			
115	Start Relay	9181010-06	C			X		X
ELECTRICAL								
210	Contacto-1 Pole 230V	9101002-04	E	X	X	X	X	X
225	Relay 230V	9101084-02	E	X	X	X	X	X
EVAPORATOR								
320	Evaporator Plate Assy-Jumbo RH	NLA	EV			X		X
320	Evaporator Plate Assy-Jumbo LH	NLA	EV	X	X	X		X
HARVEST MOTOR ASSEMBLY								
920	Hrvst Mtr Assy w/.219 S/S 230V	NLA	HA	X	X		X	
920	Hrvst Mtr Assy w/.219 S/S 230V SEC	NLA	HA			X		X
920	Hrvst Mtr Assy w/.219 S/S 230V PRIM	NLA	HA			X		X
930	Probe Motor (230V)	9161031-01	HA	X	X	X	X	X
PANELS								
506	Front Panel, Stainless (C105)	NLA	P				X	
506	Front Panel, Grey	NLA	P				X	
506	Front Panel, Grey (C65)	NLA	P		X			
506	Front Panel, Grey (C105E)	NLA	P				X	
REFRIGERATION								
625	Hot Gas Valve Body - ALCO	9151123-01	REF	X	X	X	X	X
625	Hot Gas Valve Coil - ALCO 230V	9151123-04	REF	X	X	X	X	X
*Includes Brazed Expansion Valve, Distributor And Tubing Assembly								
REMOTE								
700	Accumulator Assembly	2091139-01	REM		X		X	
705	Contacto- 2 Pole Remote	9101015-04	REM		X		X	
715	Liquid Line Solenoid Body - ALCO	9151123-02	REM	X	X	X	X	
720	Liquid Line Solenoid Coil - ALCO 230V	9151123-04	REM	X	X	X	X	
REMOTE CONDENSER								
770	Fan Blade (Larkin Only)	1011179-98	RC		X		X	
775	Fan Motor (Larkin Only) (230V)	1011179-99	RC	X	X		X	
780	Fan Shroud (Larkin Only)	1011179-97	RC		X		X	
781	Up Grade Kit (Mtr,Brkt,Bld) RC126-2	1051036-02	RC					X
781	Up Grade Kit (Motor,Brkt, Fan Blade)	NLA	RC	X		X		X
782	Fan Support (In Kit)	NLA	RC	X		X		X
783	Fan Blade (In Kit--18" Dia)	9131214-02	RC	X		X		X
783	Fan Blade (In Kit RC120-2-20" Dia)	9131214-01	RC					X
784	Fan Motor (In Kit 230V)	NLA	RC	X		X		X

4.1 CUBERS: C65-C85-C105-C125-"B" SERIES AIR, WATER AND REMOTE

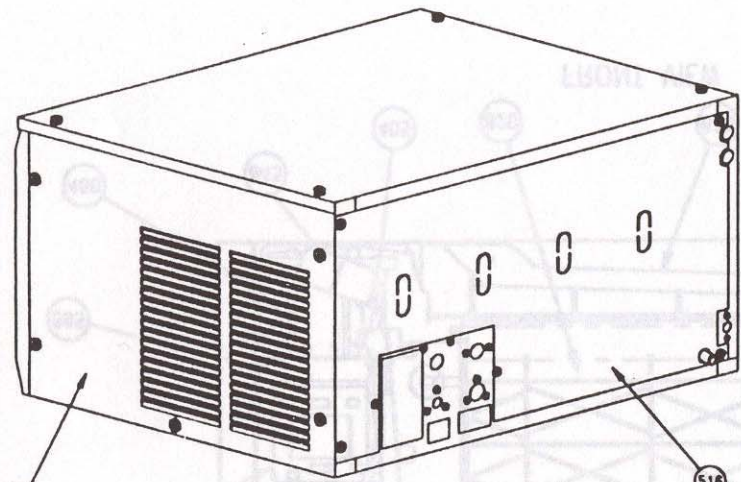
Item Code	Part Description	Part Number	GRP	C	C	C	C	C
				65	65	85	105	125
WATER PUMP								
875	Water Pump 1550 RPM 230V	9161076-02	WP	X	X			
875	Water Pump 230V 3000 RPM	9161079-02	WP			X		X
875	Water Pump 3000 RPM 230V	9161079-03	WP				X	
WATER PURGE VALVE								
880	Water Purge Valve Assy	9041014-04	WPV			X	X	
880	Water Purge Valve Assy 230V	9041053-02	WPV	X				
880	Water Purge Valve Assy	9041060-02	WPV		X			
890	Water Purge Valve Coil 230V	9041014-91	WPV			X	X	
890	Water Purge Valve Coil 230V	9041014-91	WPV	X	X	X	X	X

REFRIGERANT CHARGE			PRESSURES		
MODEL	REF TYPE	OZ.	LP	DP	HP
C65A	R502	28	30		
C65W	R502	18	30	225	400
C65R	R502	144	30		400
C65A	R502	32	30		
C65W	R502	18	30	225	400
C65R	R502	160	30		400
C85A	R12	44	13		
C81W	R12	30	13		250
C85R	R12	208	13		250
105A	R22	60	37		
C105W	R22	34	37	225	400
C105R	R22	240	37		400
C125A	R502	50	30		
C125W	R502	32	30	225	400
C125R	R502	208	30		

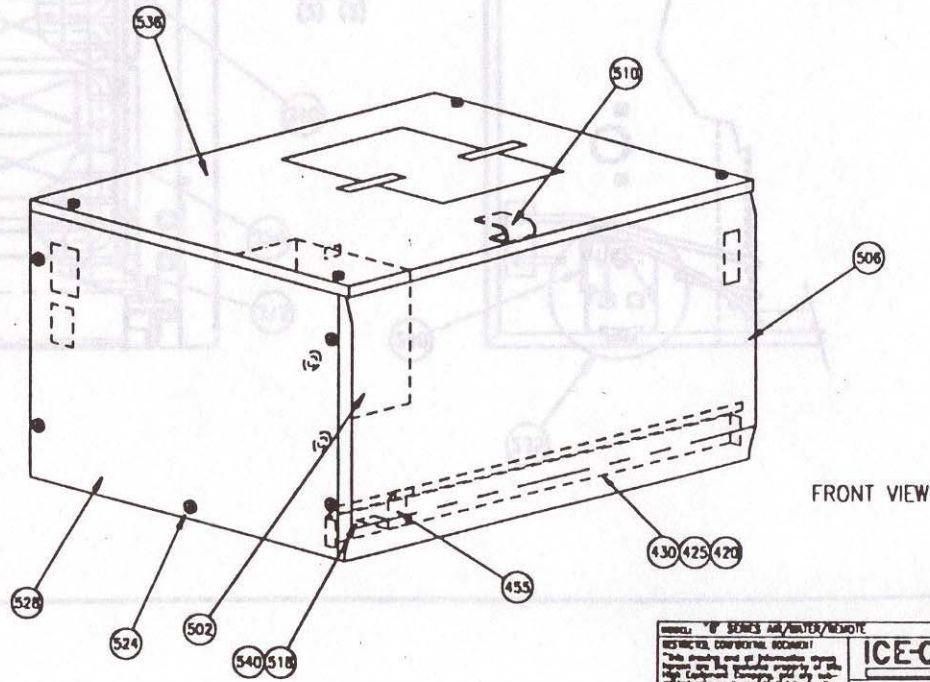
LP=LOW PRESSURE/TIMER INITIATE CONTROL SETTING

DP=DISCHARGE PRESSURE SETTING/WATER COOLED UNITS

HP=HIGH PRESSURE SAFETY CONTROL SETTING



REAR VIEW



FRONT VIEW

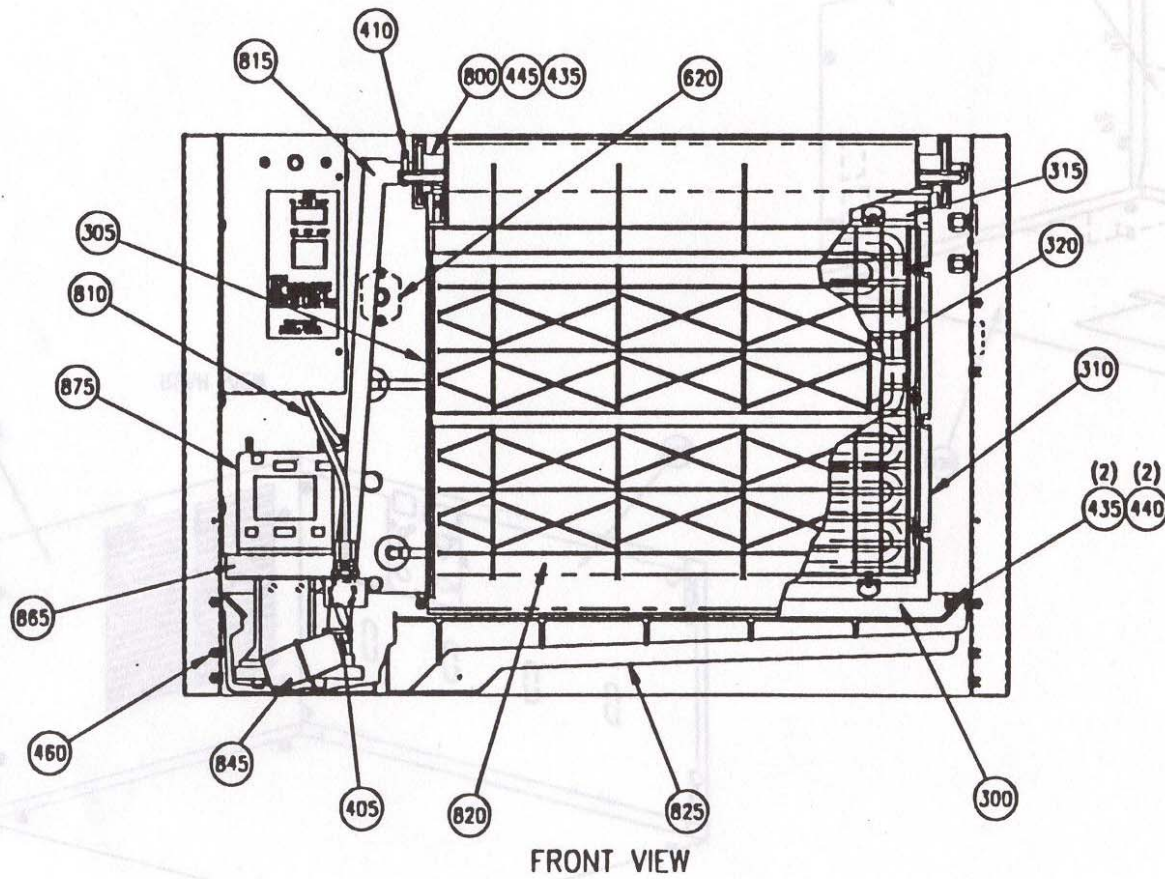
MODEL: **W SERIES AIR FILTER/RESERVE**

RESTRICTED COMMERCIAL ROOMS!

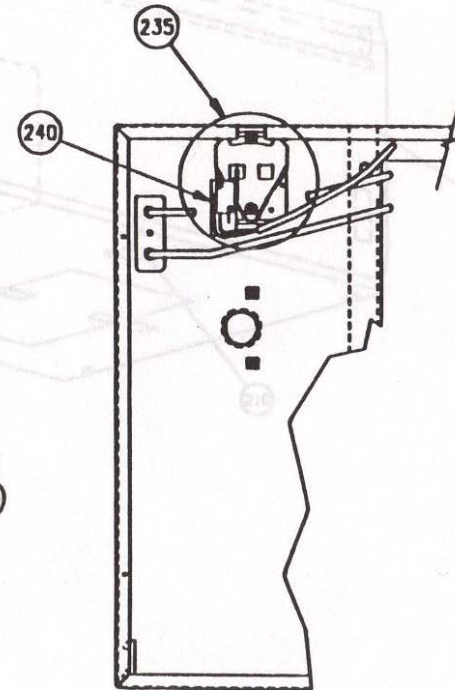
This drawing and all information thereon represent the confidential property of the High Capacity Company, Inc. and shall not be used or reproduced in any form without the written consent of the High Capacity Company, Inc. The information contained herein is for the use of the customer only and is not to be used for any other purpose.

ICE-O-MATIC

PANEL ASSEMBLY



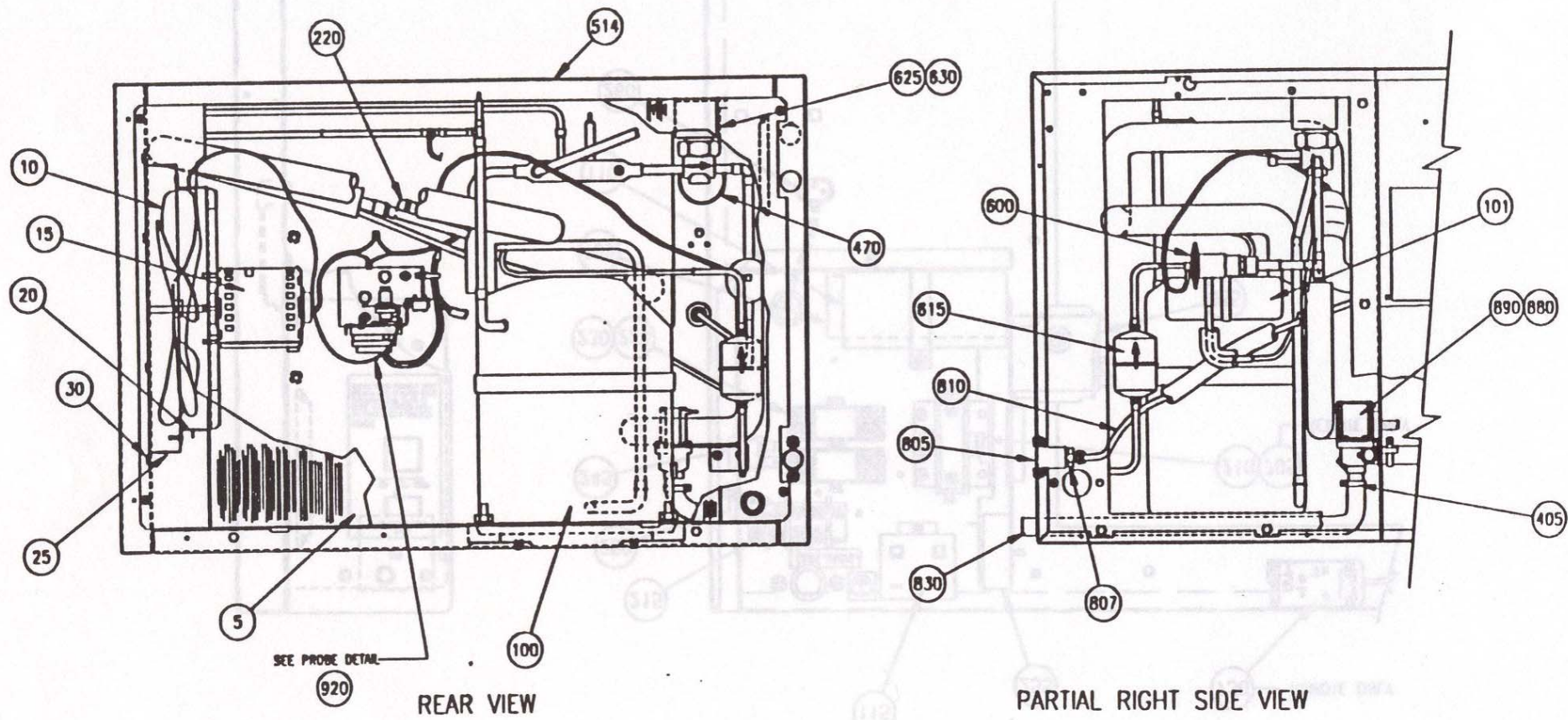
FRONT VIEW



PARTIAL RIGHT SIDE VIEW

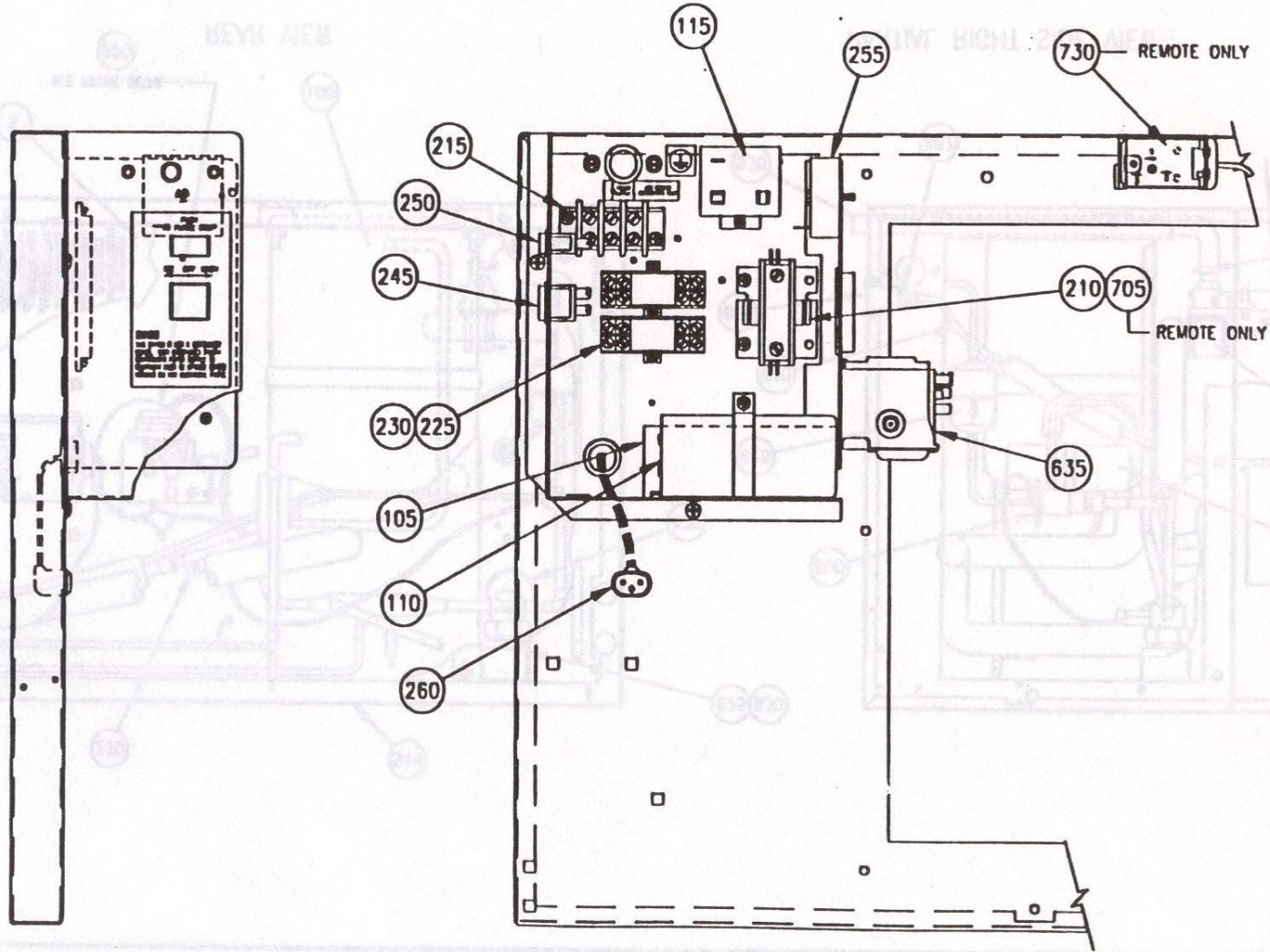
<small> GENERAL SERVICE AIR/WATER REMOTE RESTRICTED, CONFIDENTIAL DOCUMENT This drawing and its information are property of the Government and are not to be distributed outside of the Government without the express written approval of the Department of Defense. </small>	ICE MATIC <small>CHASSIS ASSEMBLY</small>
---	---

C61-66



MODEL: 12 BORE MINOR/REAR
 ELECTRICAL SERVICE BOARD
 This drawing and all information herein
 furnished are the property of
 THE ICE-O-MATIC COMPANY

ICE-O-MATIC
A FORT MONROE COMPANY

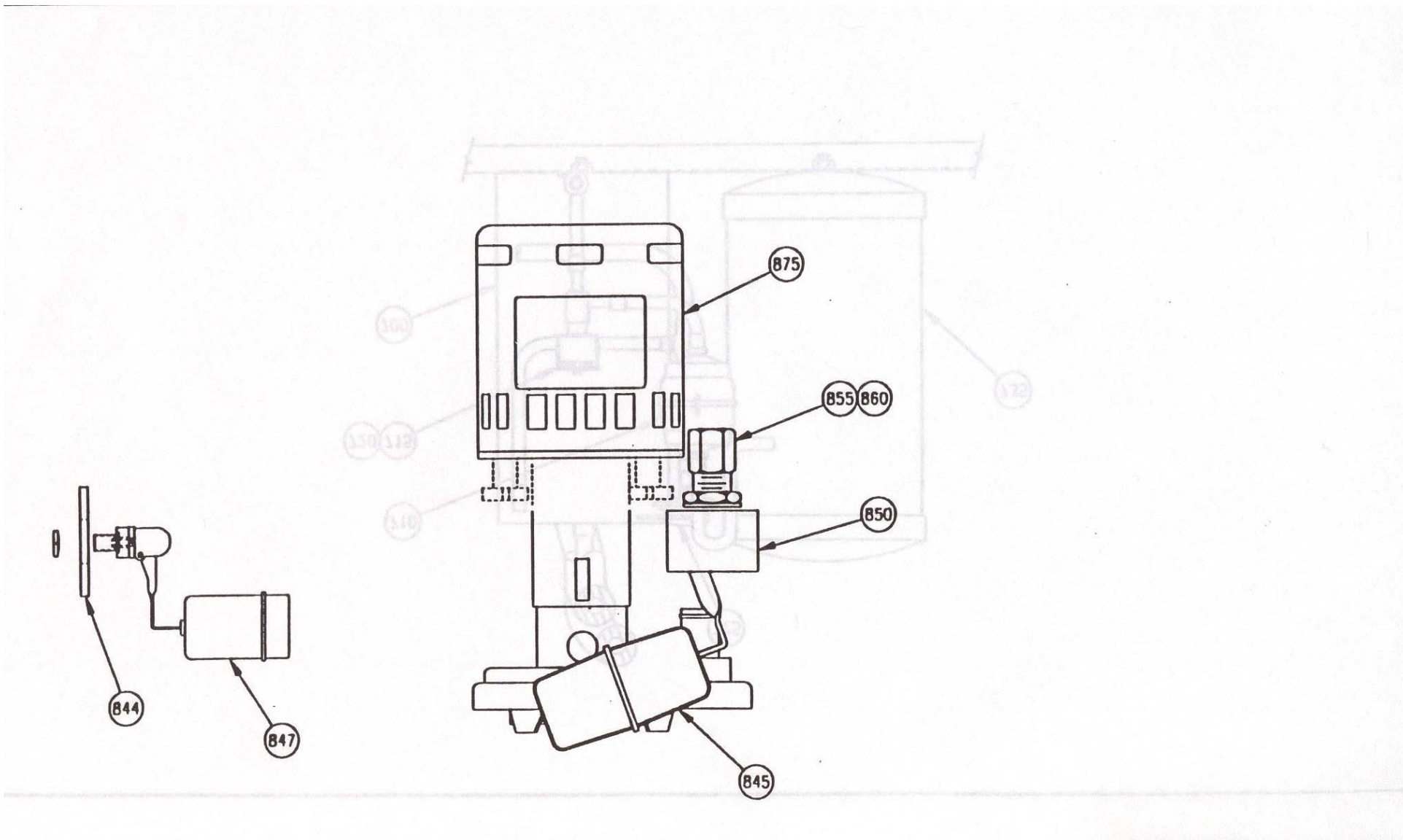


FRONT VIEW

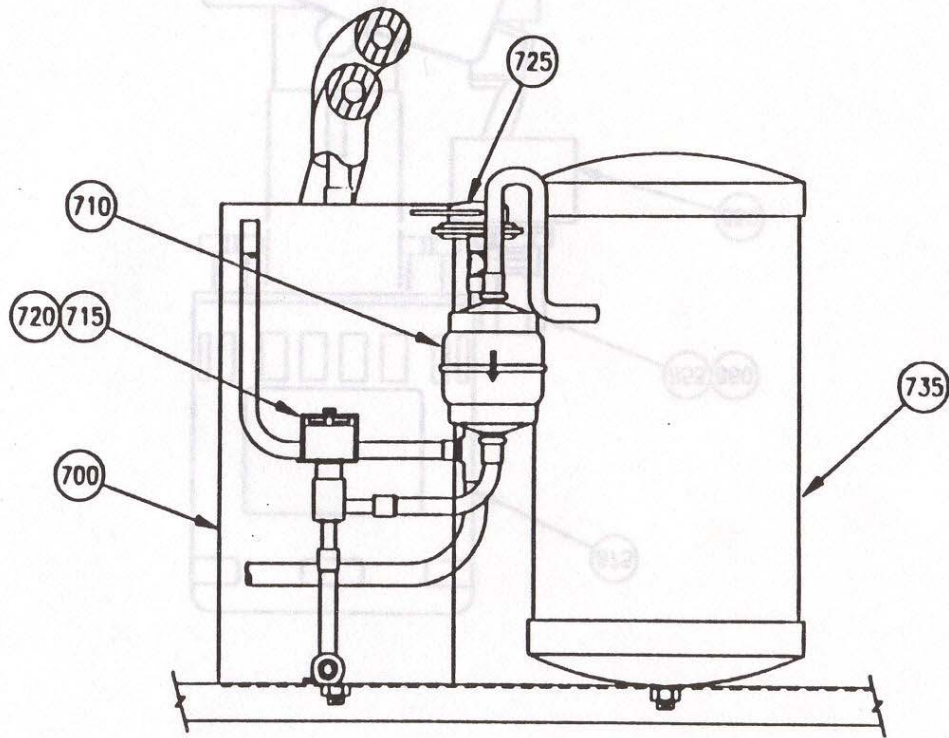
RIGHT SIDE VIEW

CONTROL BOX ASSEMBLY

<p>GROUP 1 - SECURITY INFORMATION</p> <p>RESTRICTED DISSEMINATION SECURITY</p> <p>This drawing and all information on it is classified "RESTRICTED DISSEMINATION SECURITY" by the Department of Defense. It is to be controlled, stored, handled, transmitted, and disposed of in accordance with the Department of Defense Security Manual, Volume 1, Part 1, Chapter 1, Section 1.1.</p>	<p>ICE VATIC</p> <p>CONTROL BOX ASSEMBLY</p>
--	--

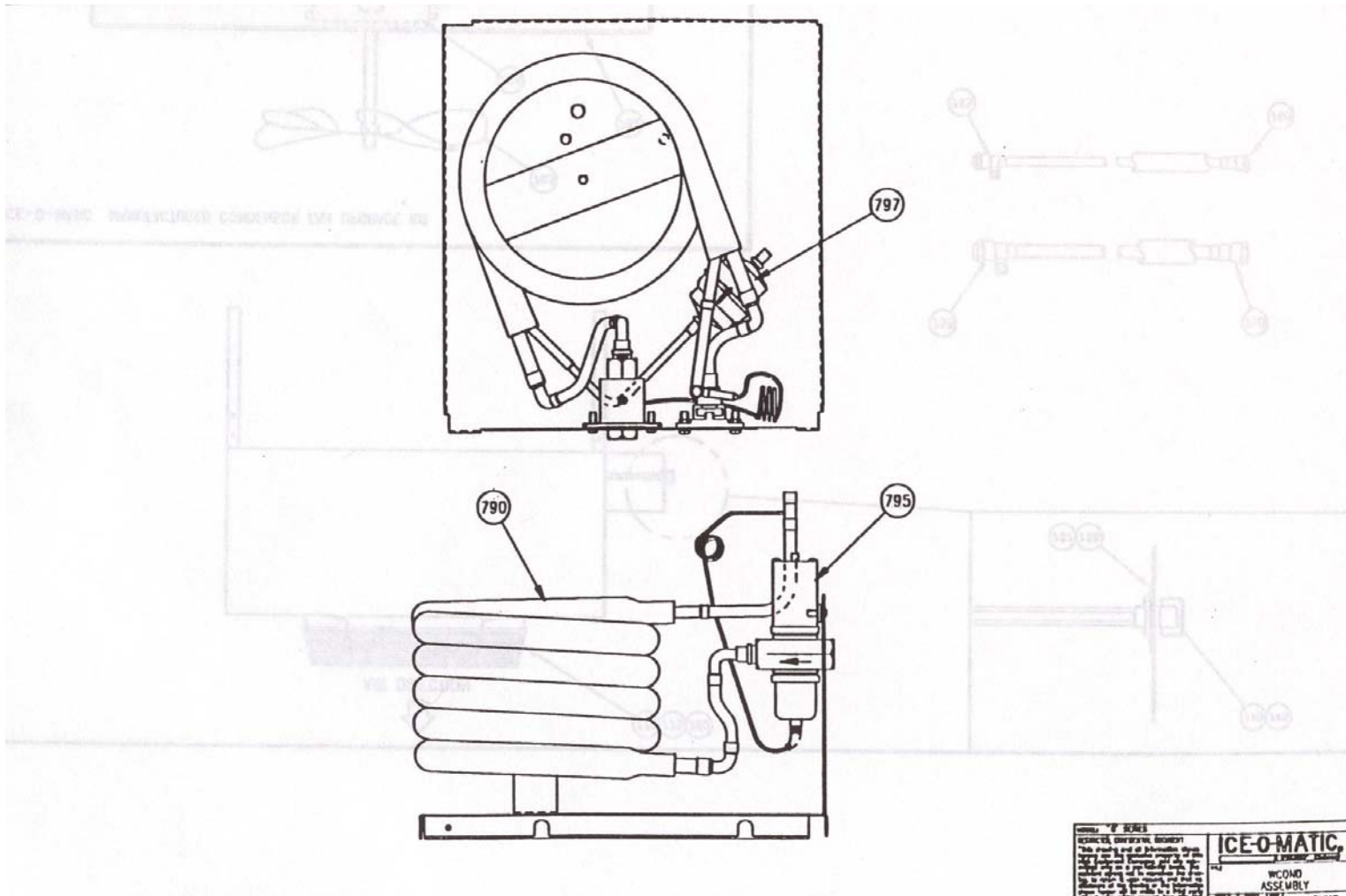


C61-66



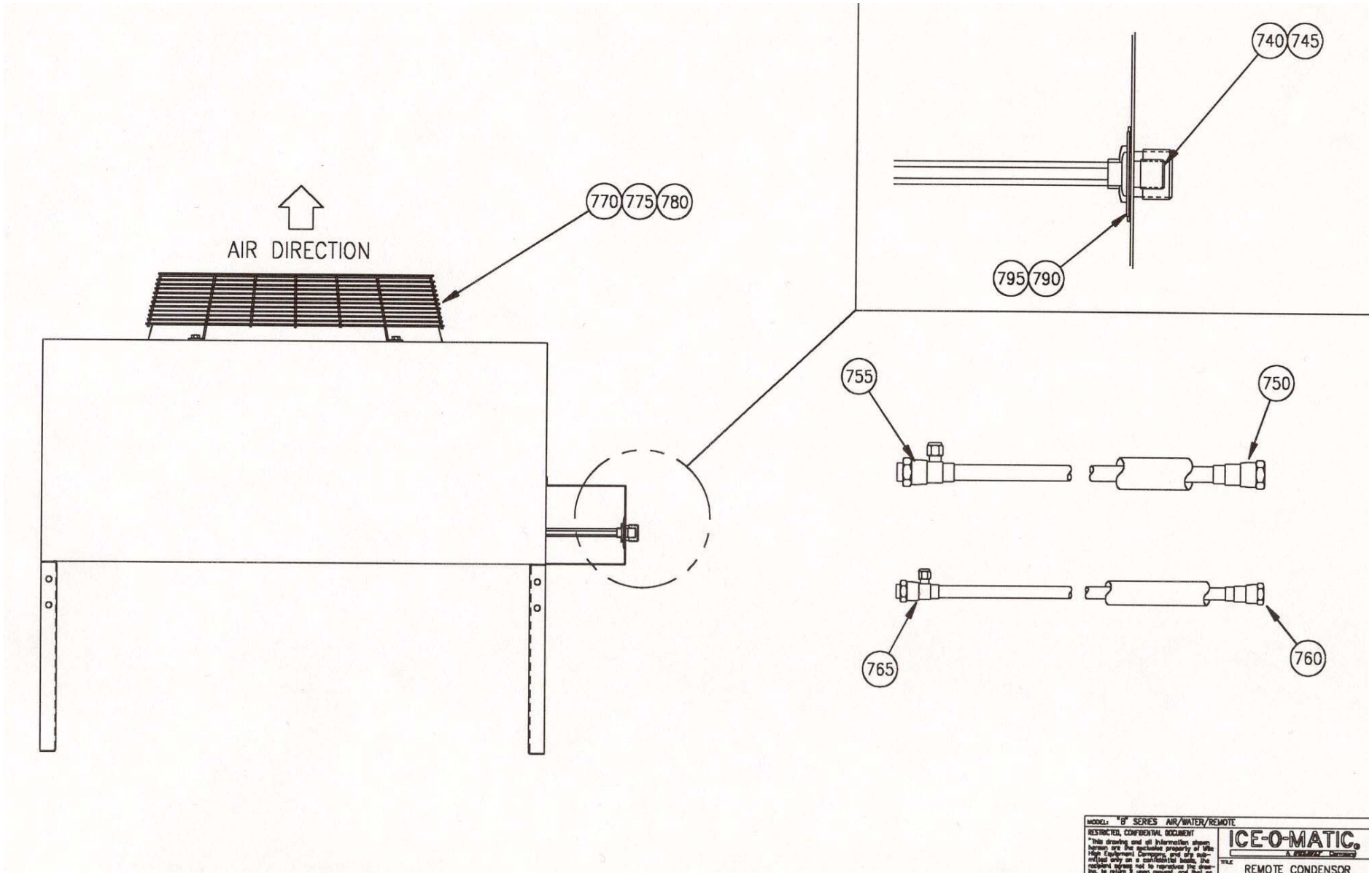
C61-66

<small> MODEL: "F" SERIES AIR/WATER/REMOTE RESTRICTED, PROPRIETARY DESIGN This drawing and all dimensions are subject to change without notice. All dimensions are in inches unless otherwise specified. © 1988 ICE-O-MATIC, INC. All rights reserved. </small>	ICE-O-MATIC <small>ICE-O-MATIC, INC.</small> REMOTE RECEIVER ASSEMBLY
--	---



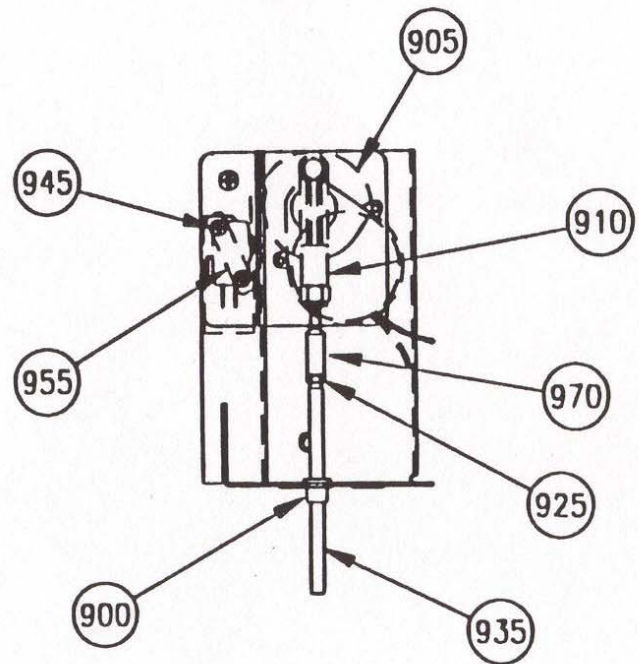
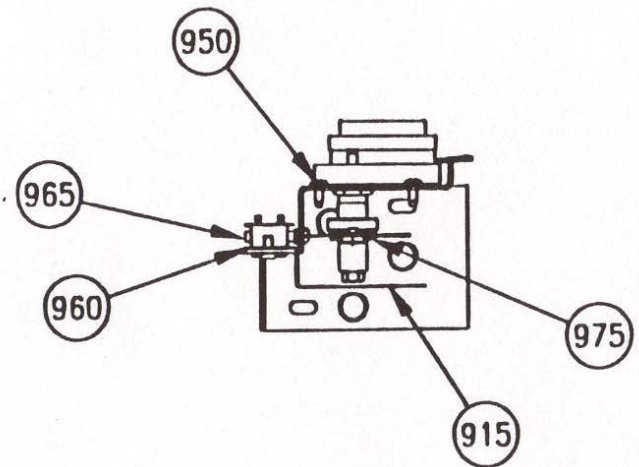
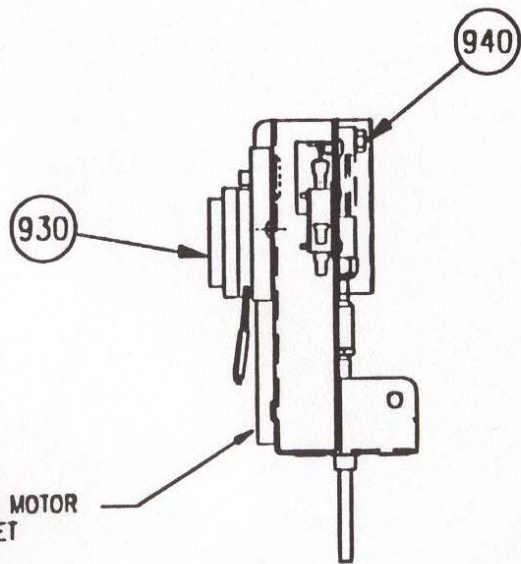
MODEL: W COND
 ICE-O-MATIC
 WCOND
 ASSEMBLY

C61-66

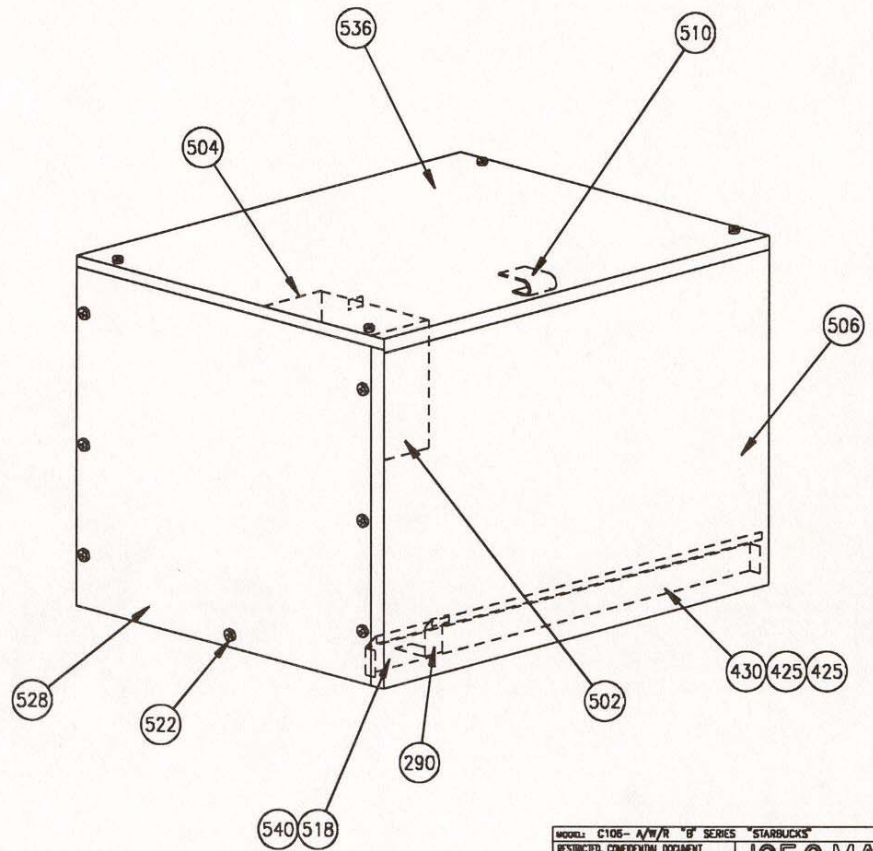
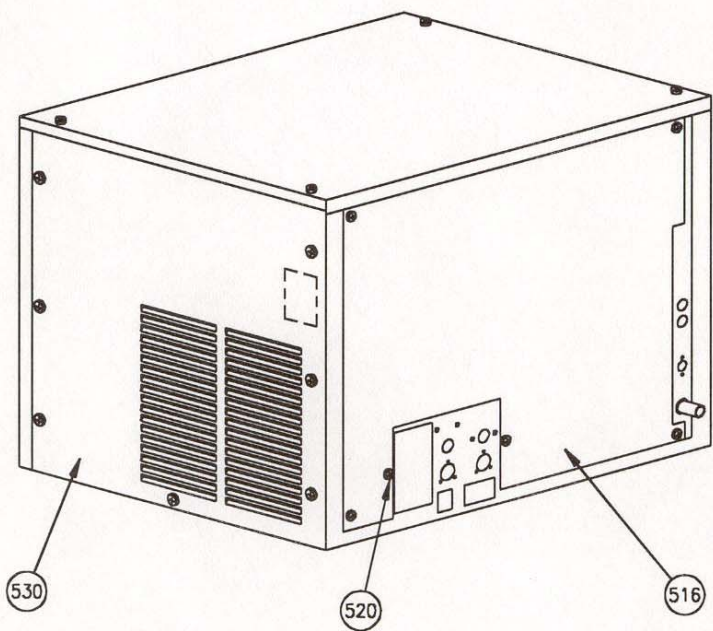


C61-66

PROBE MOTOR
BRACKET

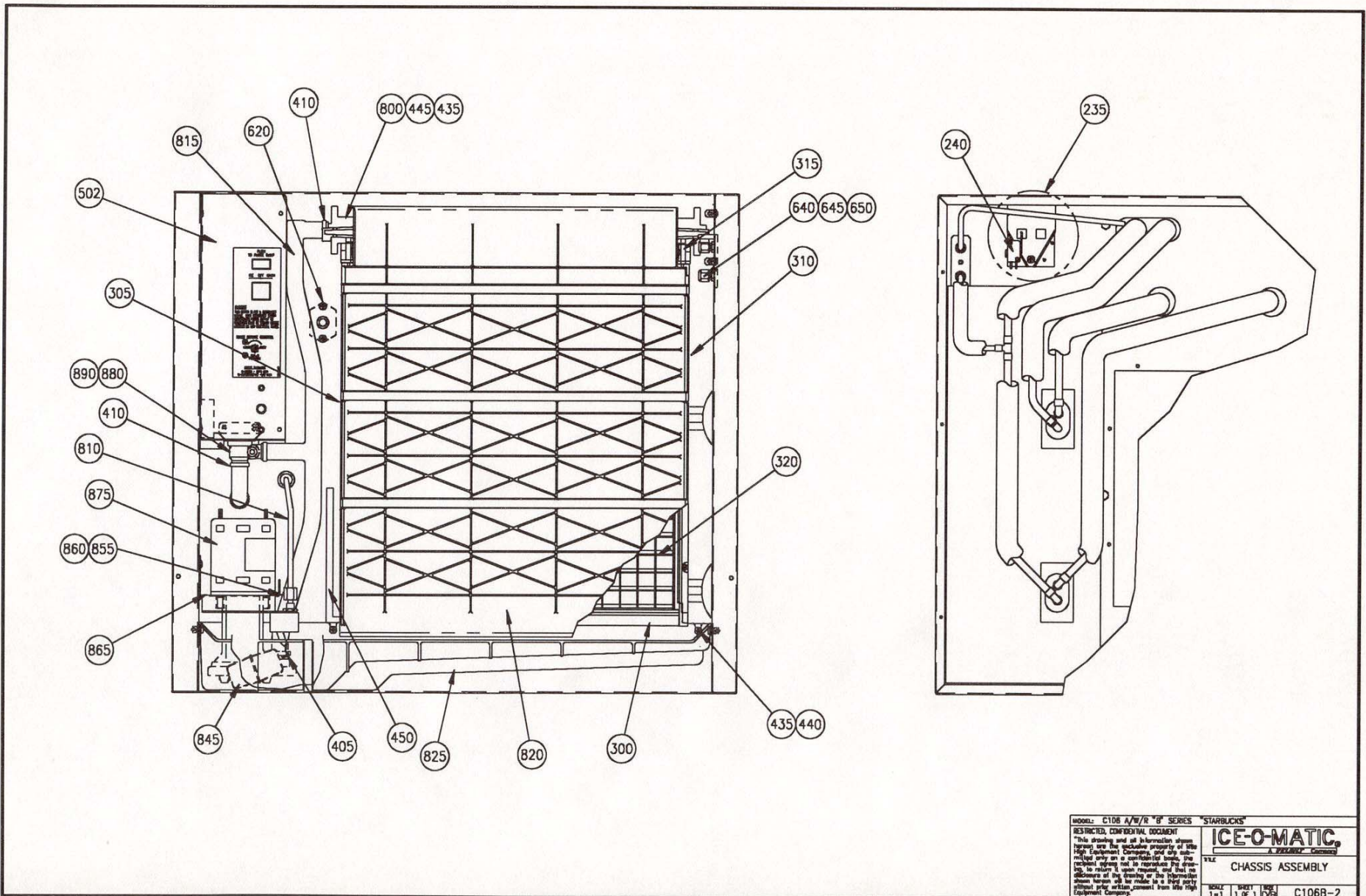


HARVEST PROBE ASSEMBLY



MODEL: C106- A/W/R 'B' SERIES		STARBUCKS	
RESTRICTED, CONFIDENTIAL DOCUMENT			
<small>This drawing and all information shown hereon are the exclusive property of the High Equipment Company, and are not to be used, copied, or reproduced in any manner without the express written consent of the High Equipment Company. The recipient agrees not to reproduce the drawing to create a copy, and that no disclosure of the drawing or the information shown hereon will be made to a third party without the written consent from the High Equipment Company.</small>			
		TITLE: PANEL ASSEMBLY	
SCALE: 1=1	SHEET: 1 OF 8	DATE: D/B	C106B-1

C106



MODEL: C106 A/W/R "G" SERIES "STARBUCKS"

RESTRICTED, CONFIDENTIAL DOCUMENT

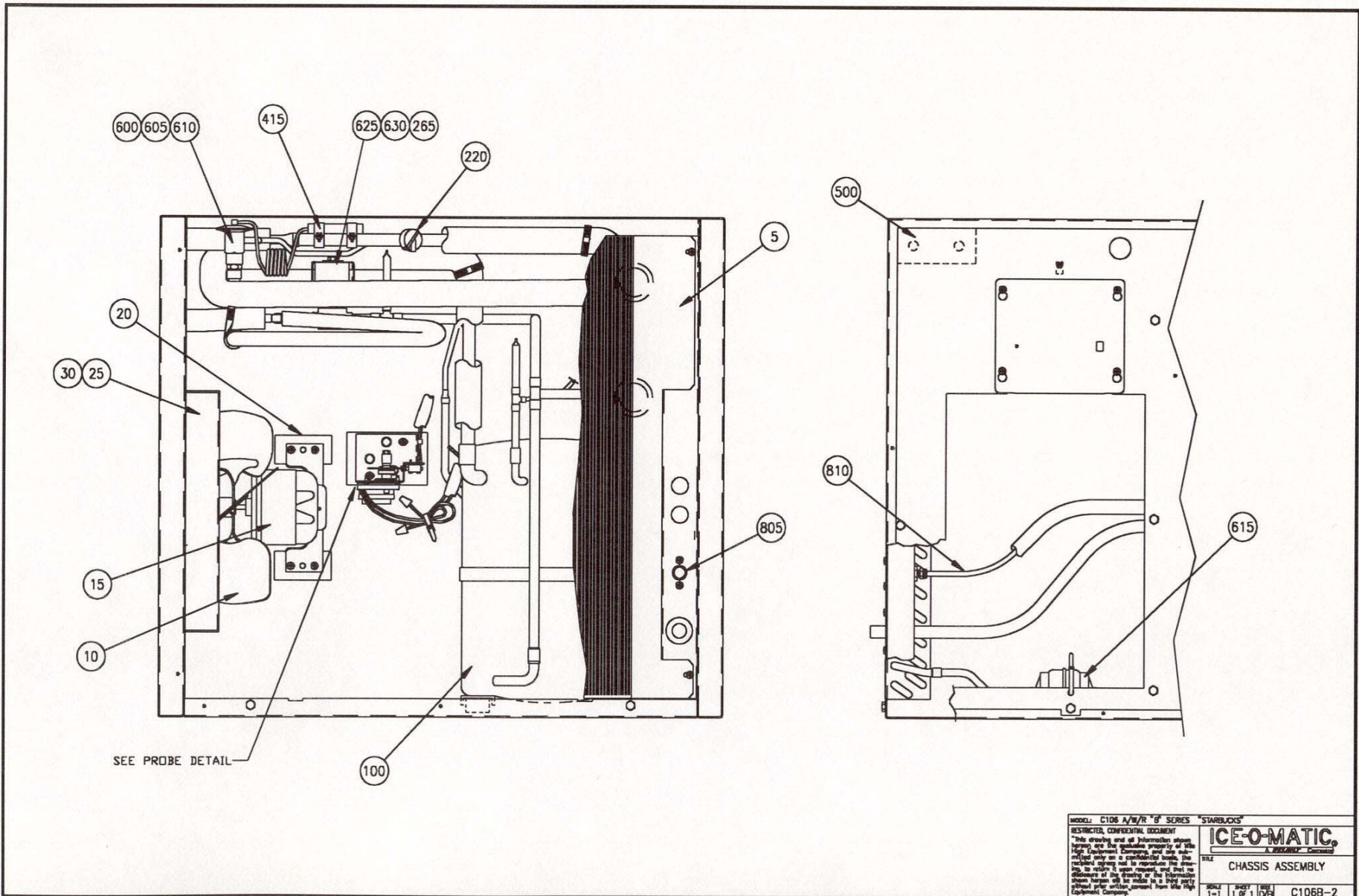
"This drawing and all information thereon are the exclusive property of the ICE-O-MATIC Company, and any reproduction or disclosure of the same, in whole or in part, is prohibited. The user is advised to maintain the drawings in strict confidence and not to disclose the same to any third party without prior written consent from the ICE-O-MATIC Company."

ICE-O-MATIC
A WACOM COMPANY

FILE: CHASSIS ASSEMBLY

SCALE: SHEET NO. 1-1 1 OF 1 1978 C106B-2

C106



MODEL: C106 A/W/R "B" SERIES "STARBUCKS"

RESTRICTED, CONFIDENTIAL DOCUMENT
 This drawing and all information shown herein are the exclusive property of the High Equipment Company, and are submitted only on a confidential basis. The recipient agrees not to reproduce, distribute, to return it upon request, and that no disclosure of its contents or the information shown herein will be made to a third party without prior written consent from the High Equipment Company.

ICE-O-MATIC
 A BUCKLEY COMPANY

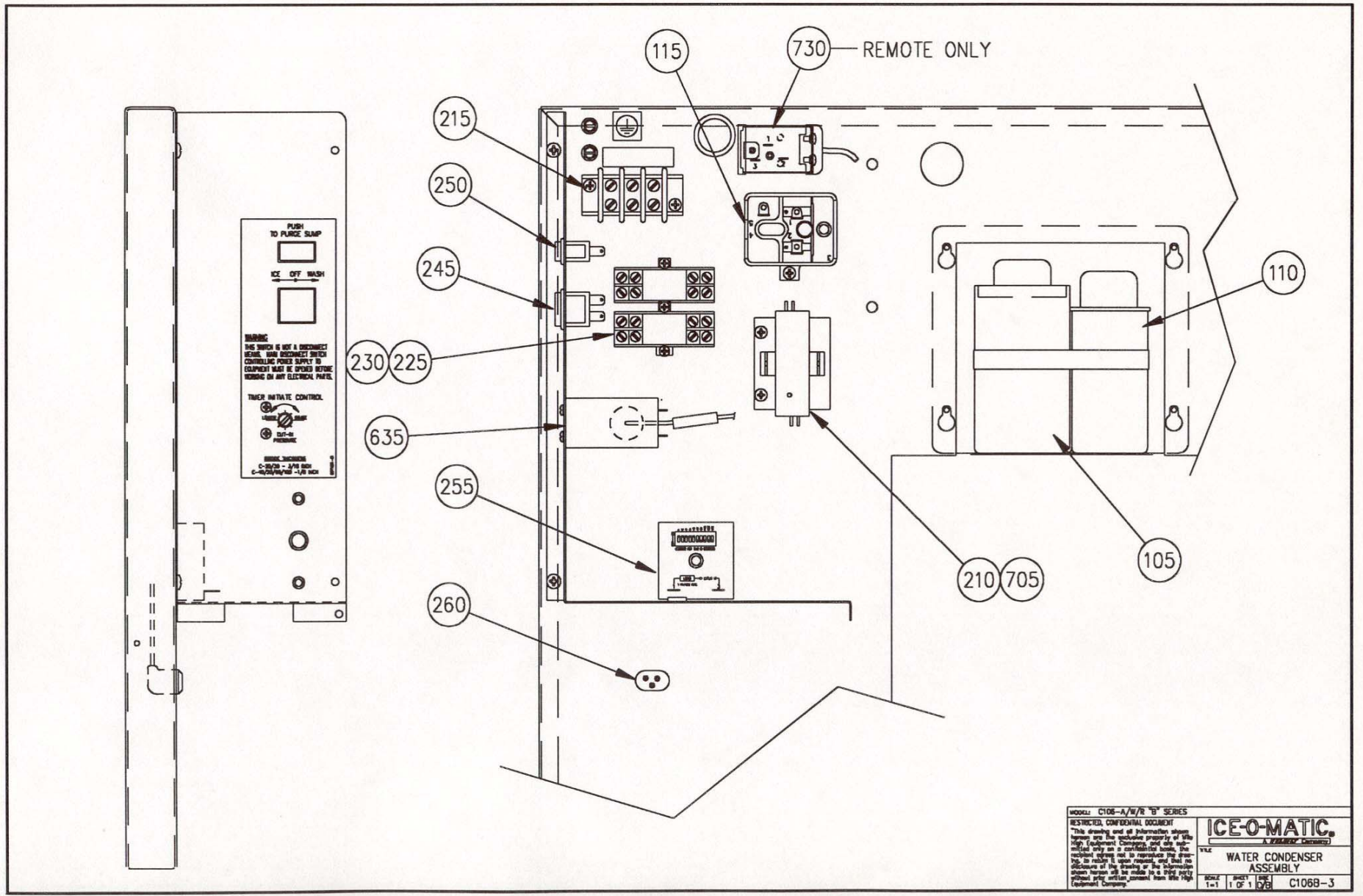
TITLE: CHASSIS ASSEMBLY

SCALE: 1-1

DATE: 1 OF 1 58

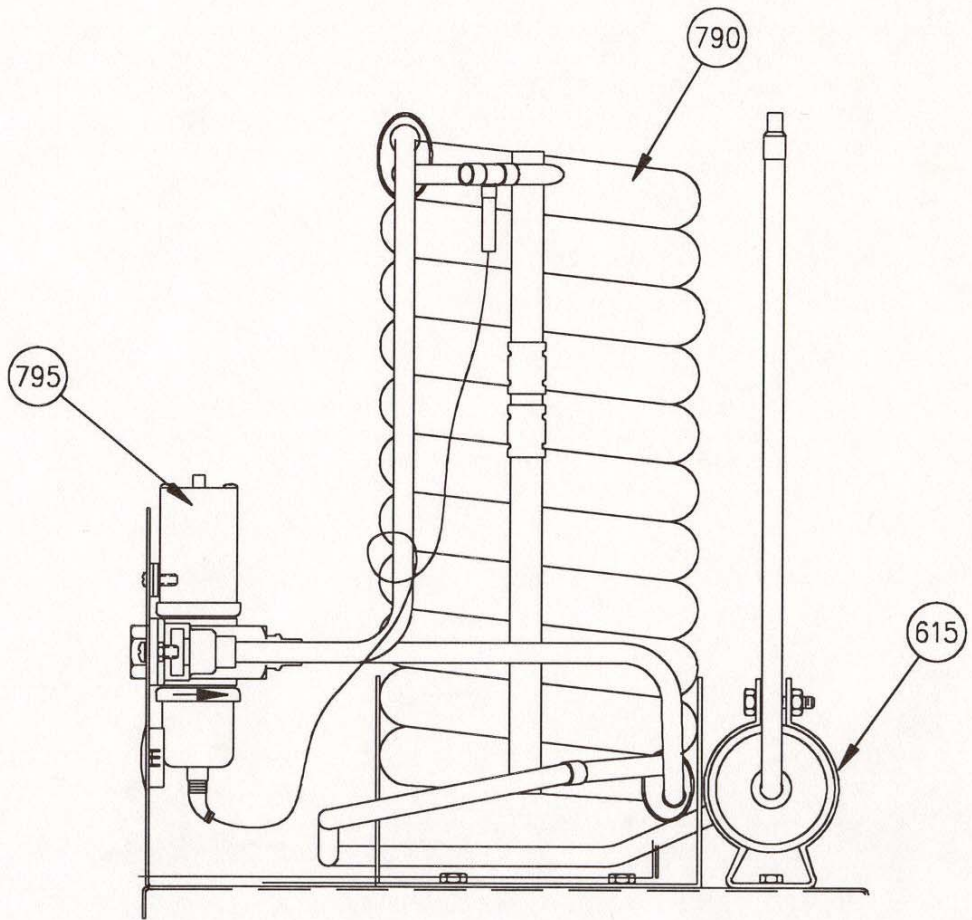
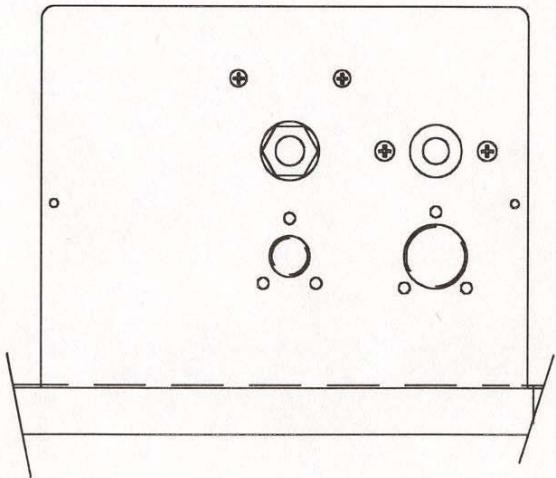
FIG. NO.: C106B-2

C106



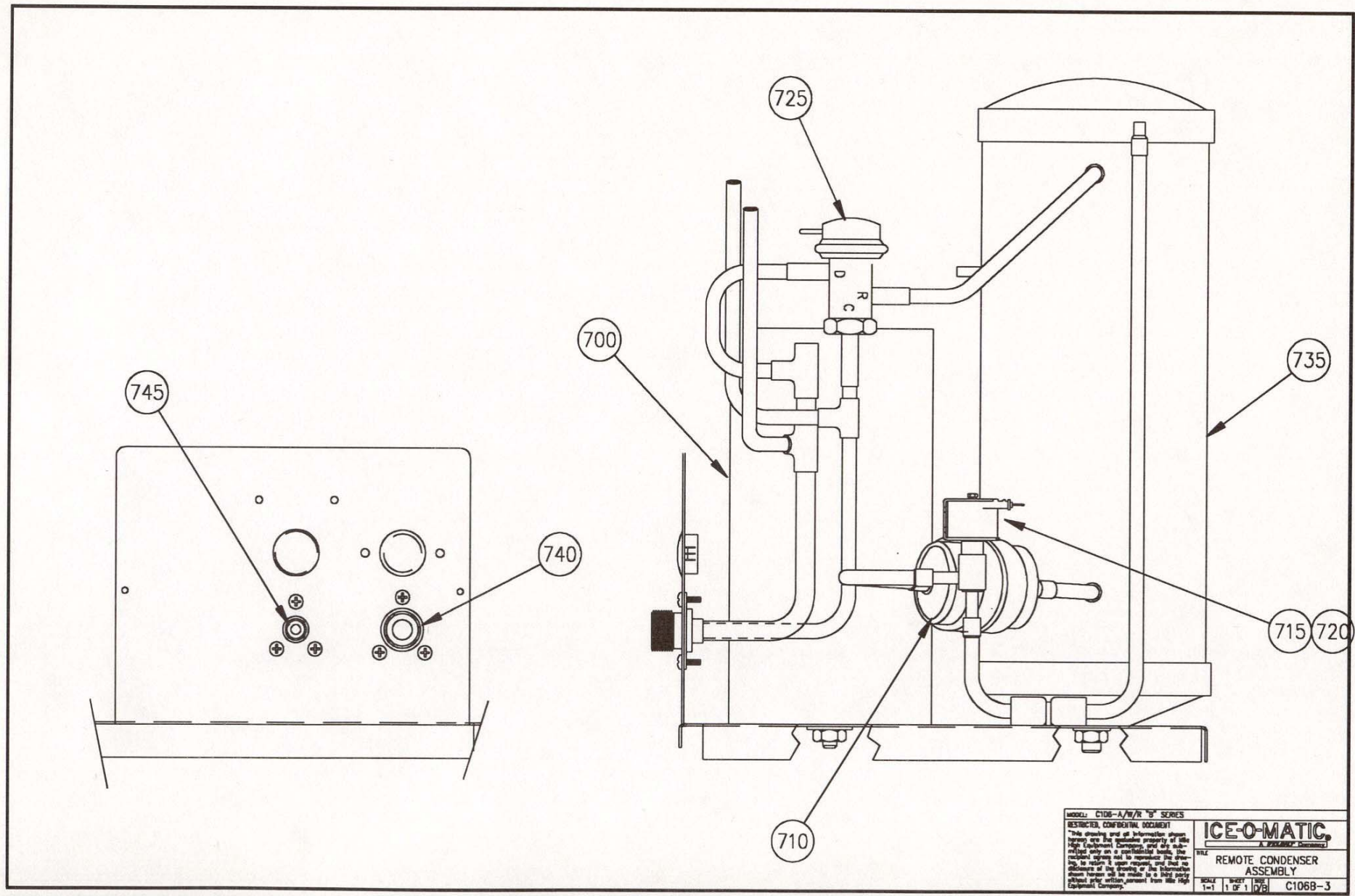
MODEL: C106-A/R/S SERIES
 RESTRICTED, CONFIDENTIAL DOCUMENT
 "This drawing and all information shown hereon are the exclusive property of The Ice-O-Matic Company. No part of this drawing is to be reproduced, stored in a retrieval system, or transmitted in any form or by any means, electronic, mechanical, photocopying, recording, or by any information storage and retrieval system, without prior written consent from The Ice-O-Matic Company."
ICE-O-MATIC
 A FRANKLIN COMPANY
 TITLE: WATER CONDENSER ASSEMBLY
 SCALE: 1=1
 SHEET: 1 OF 1
 DATE: 1/68
 C106B-3

C106

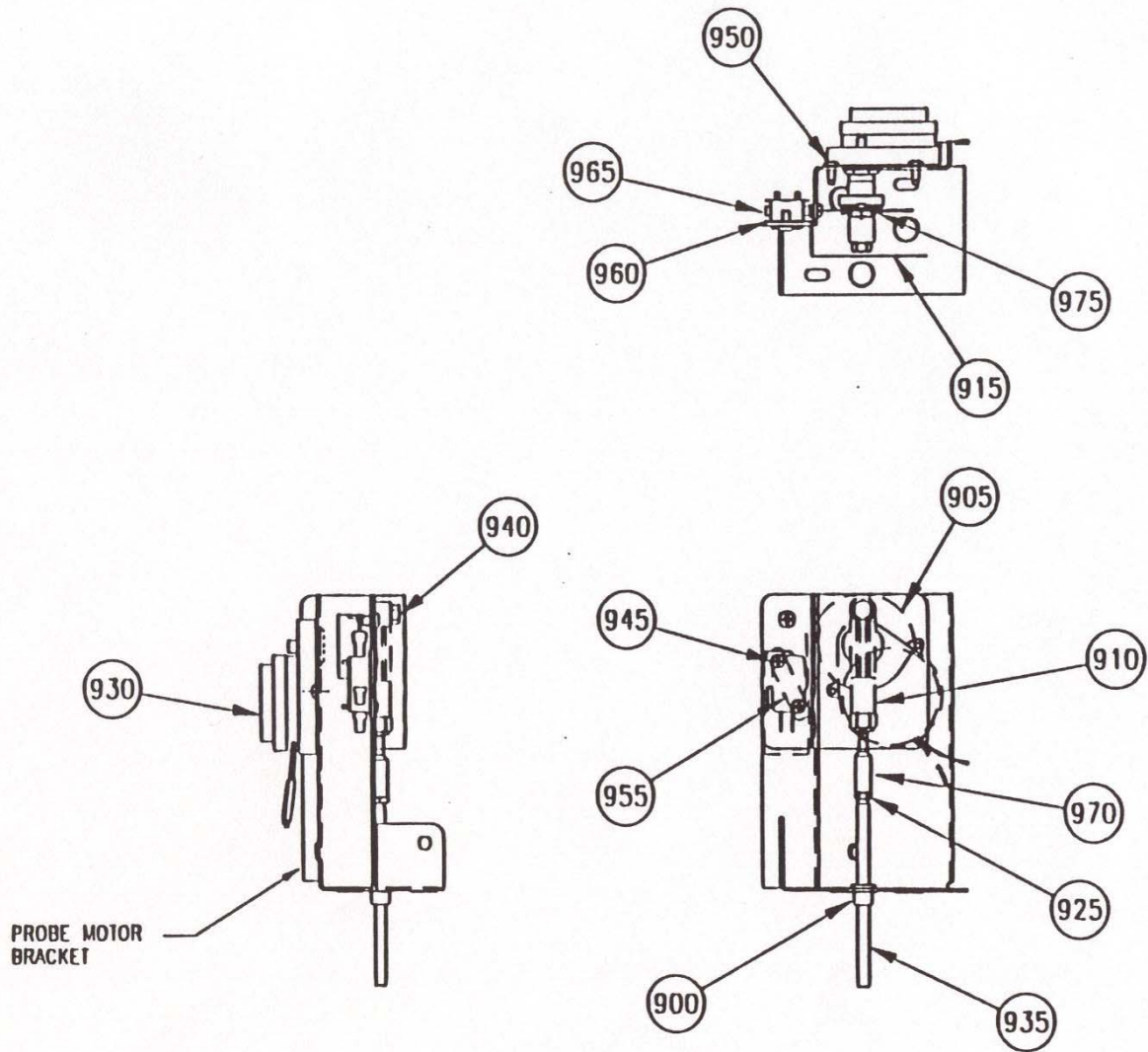


MODEL: C106-A/W/R "D" SERIES
 RESTRICTED, CONFIDENTIAL DOCUMENT
 "This drawing and all information shown hereon are the exclusive property of the High Equipment Company, and are to be used only as a reference. The design is not to be reproduced, stored, or otherwise used in any manner, and the user agrees to return all drawings and information to the High Equipment Company upon request. No liability shall be assumed by the High Equipment Company for any damage or loss of information resulting from the use of this drawing without prior written consent from the High Equipment Company."
ICE-O-MATIC
 A FROST-FREE COMPANY
 TITLE: WATER CONDENSER ASSEMBLY
 SCALE: 1-1
 SHEET: 1 OF 1
 DATE: 1/68
 C106B-3

C106

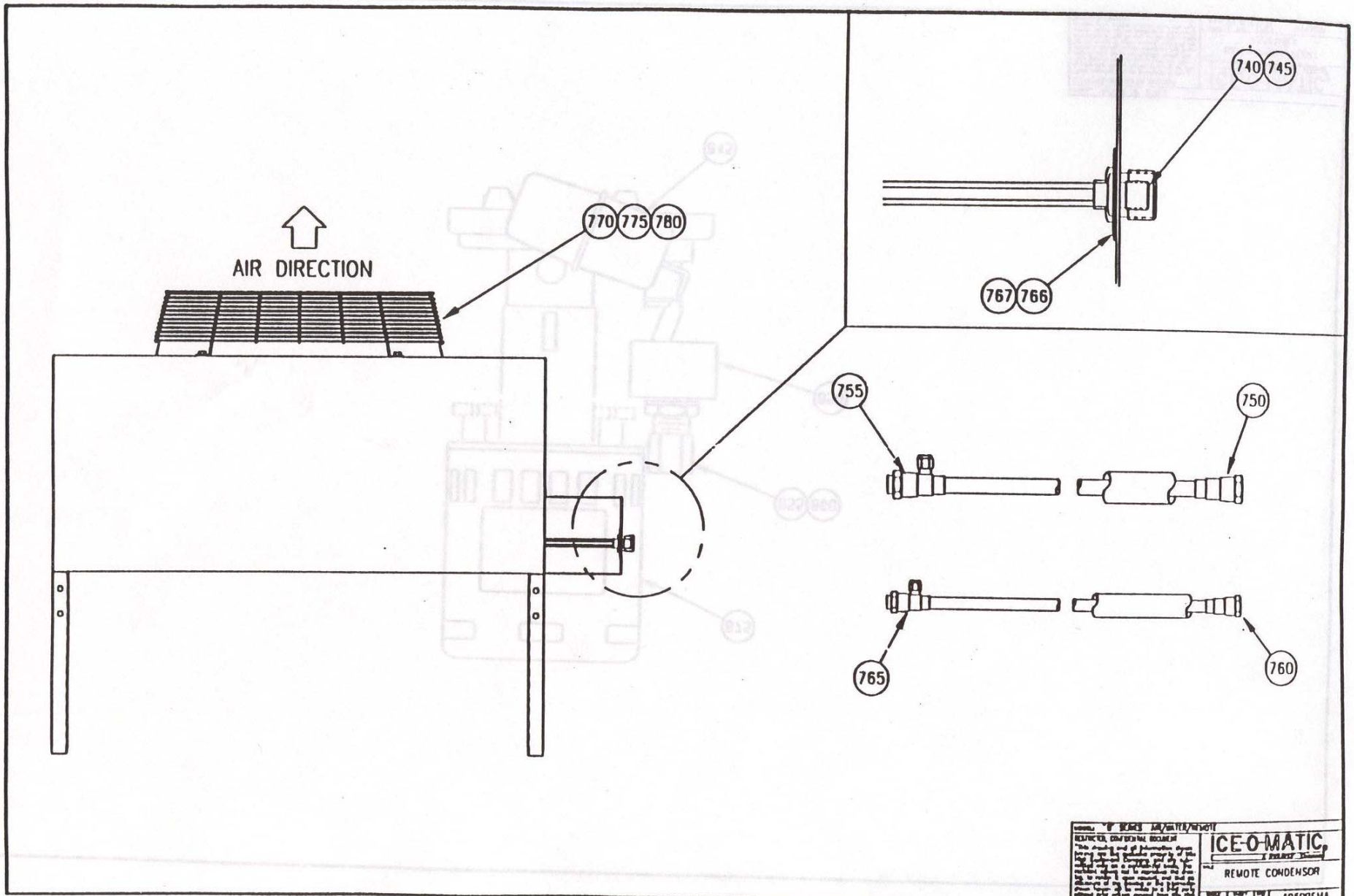


C106

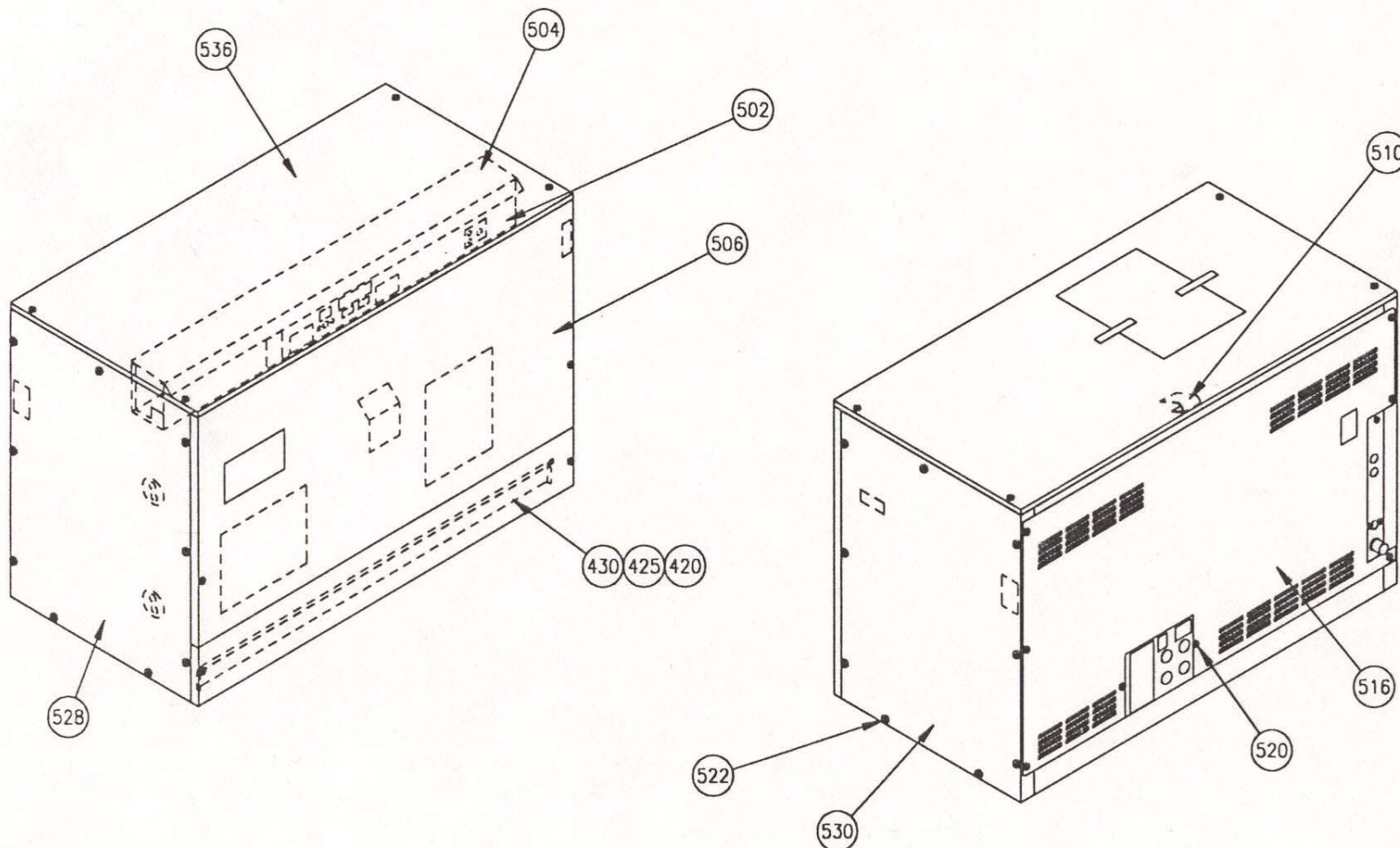


HARVEST PROBE ASSEMBLY

<small> 1. THIS DRAWING IS THE PROPERTY OF ICE-O-MATIC COMPANY. IT IS TO BE USED ONLY FOR THE PURPOSES SPECIFIED HEREON. IT IS NOT TO BE REPRODUCED OR TRANSMITTED IN ANY FORM OR BY ANY MEANS, ELECTRONIC OR MECHANICAL, INCLUDING PHOTOCOPYING, RECORDING, OR BY ANY INFORMATION STORAGE AND RETRIEVAL SYSTEM, WITHOUT THE WRITTEN PERMISSION OF ICE-O- MATIC COMPANY. </small>	ICE-O-MATIC
	PROBE ASSEMBLY
	PROBASSY

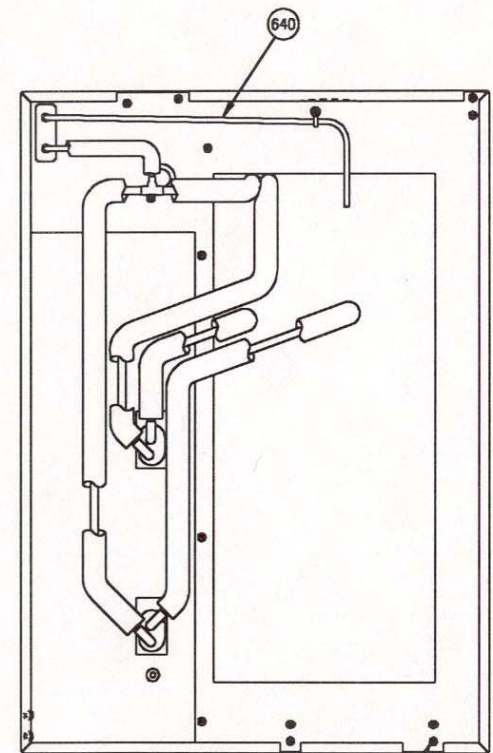
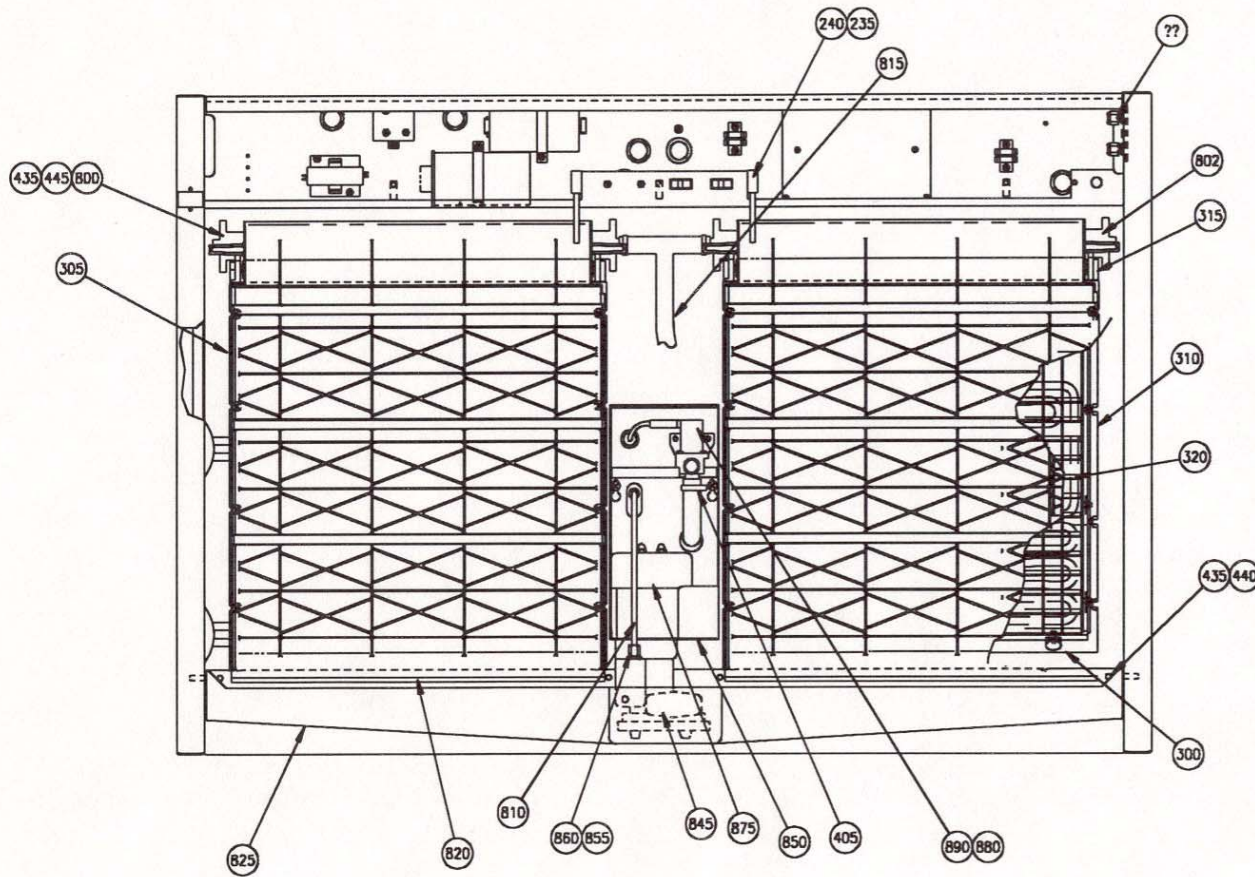


C106



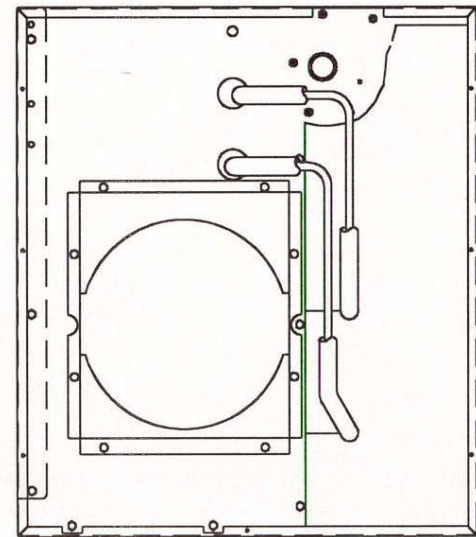
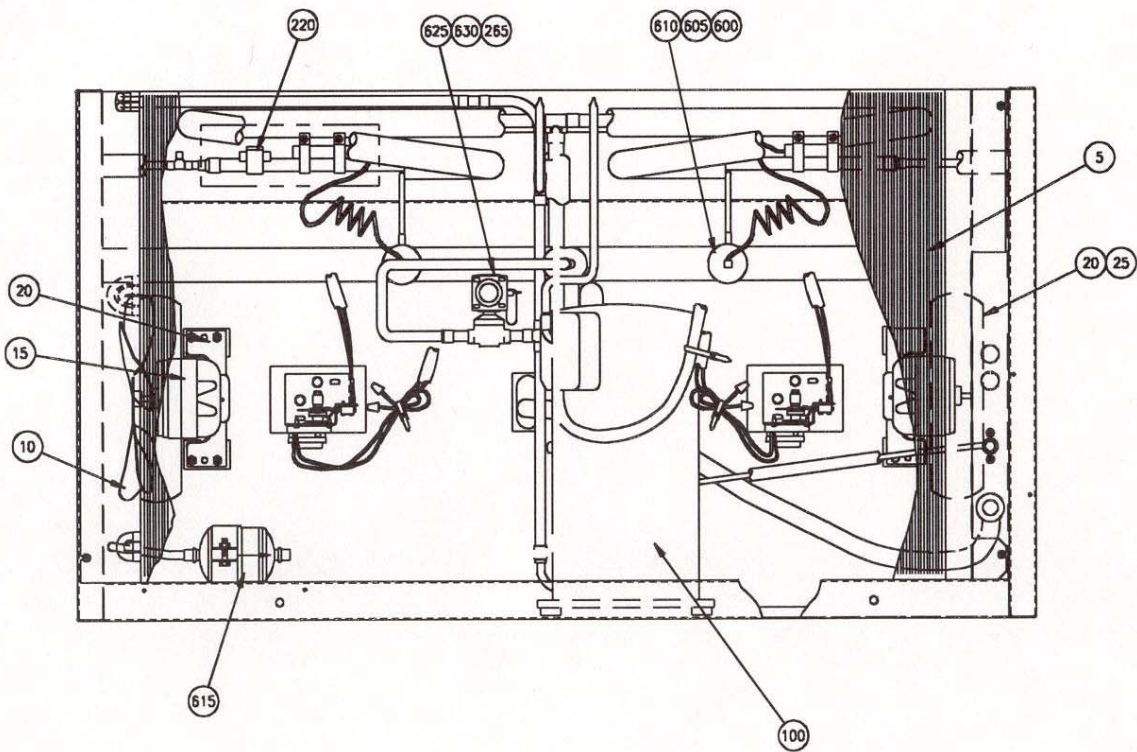
MODEL: C126/106 A/W/R *OF SERIES
 RESTRICTED, CONFIDENTIAL DOCUMENT
 This drawing and all information upon same are the exclusive property of the High Equipment Company, and are not to be used in any manner without the written consent of the High Equipment Company. In return for your request and that no disclosure of the drawing or the information shown herein will be made to a third party without your written consent from the High Equipment Company.
ICE-O-MATIC
 A PERMAP COMPANY
 PANEL ASSEMBLY
 SCALE: 1/8"=1" (MAY)

C121



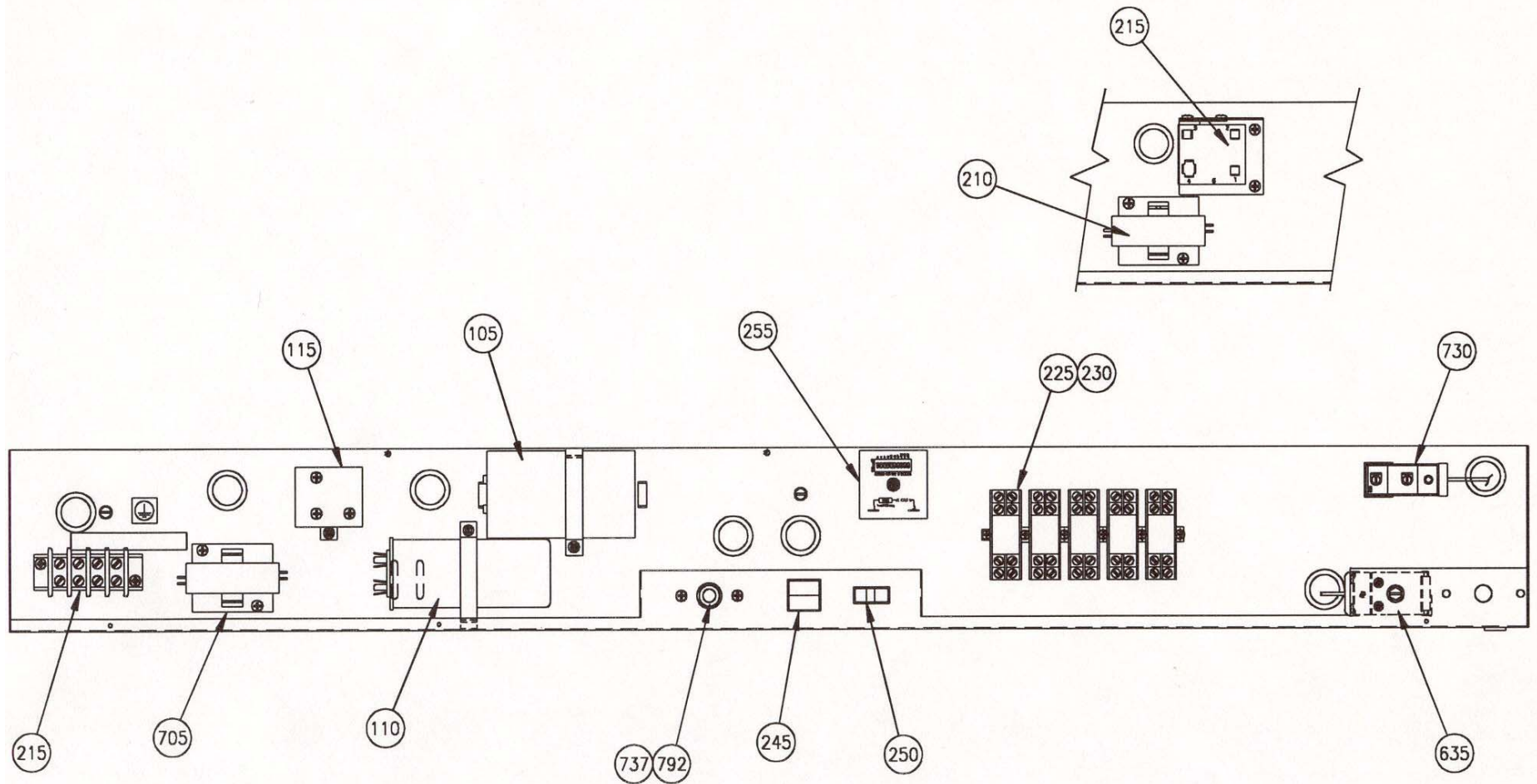
MODEL: C136-C186 A/W/R "B" SERIES
 RESTRICTED, CONFIDENTIAL DOCUMENT
 *This drawing and all information shown herein are the exclusive property of the High Equipment Company, and are submitted only on a confidential basis. The recipient agrees not to reproduce the information shown hereon without the prior written consent of the High Equipment Company.
ICE-O-MATIC
 A PERKINS COMPANY
 TITLE: CHASSIS ASSEMBLY

C121



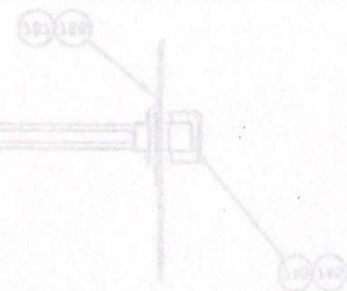
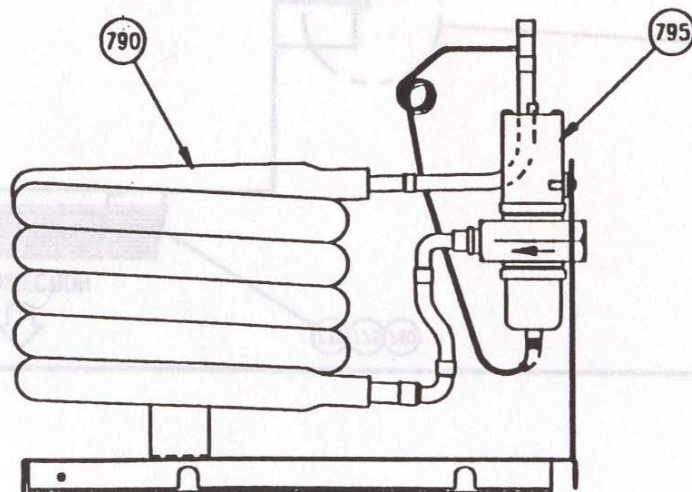
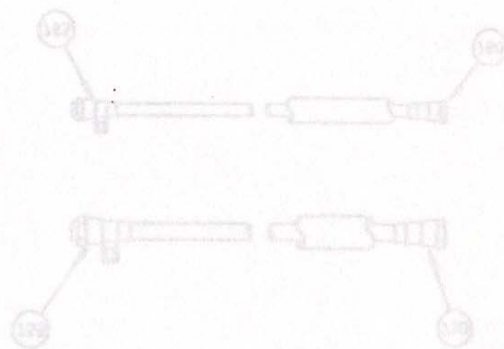
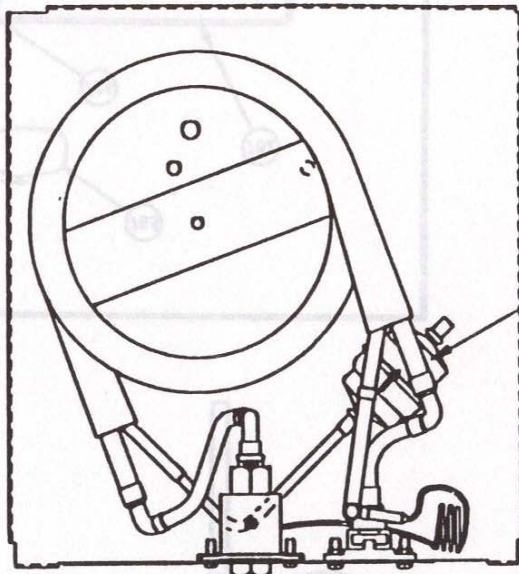
MODEL: C135-C186 A/N/R 'S' SERIES
 RESTRICTED, CONFIDENTIAL DOCUMENT
 "This drawing and all information shown hereon are the exclusive property of the High Lockdown Corporation and are submitted only on a confidential basis. The recipient agrees not to reproduce the drawing, to retain it upon request, and that no disclosure of the drawing or the information shown hereon will be made to a third party without prior written consent from the High Lockdown Corporation."
ICE-O-MATIC
 A WARREN COMPANY
 CHASSIS ASSEMBLY
 SCALE: 1/8" = 1" (SEE DRAWING)

C121

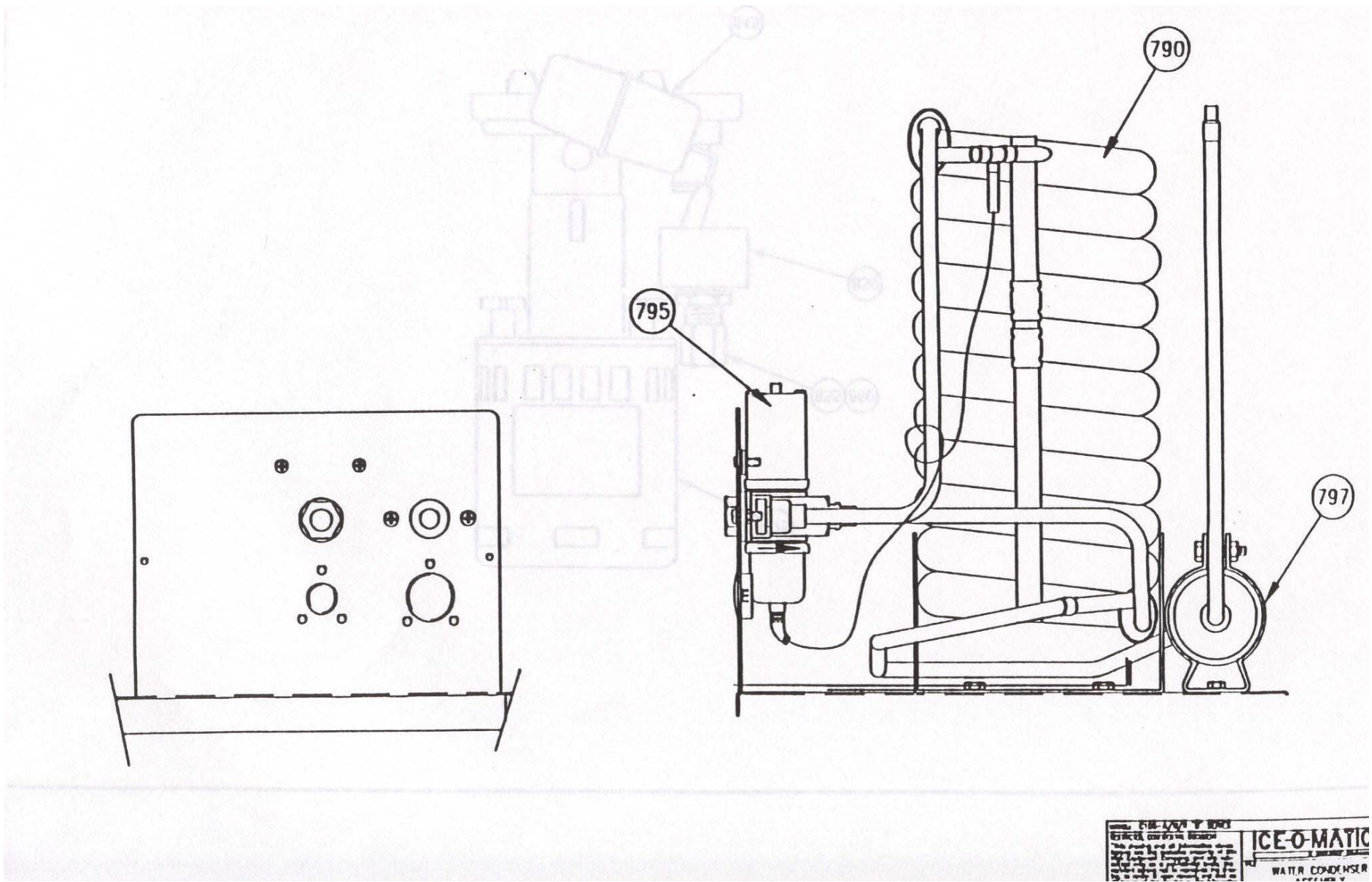


MODEL: CB1/121 A/W/R "B" SERIES	
RESTRICTED, CONFIDENTIAL DOCUMENT	
<small>This drawing and all information shown hereon are the exclusive property of Atlas High Equipment Company and are submitted only on a confidential basis, the recipient agrees not to reproduce the drawing, to return it upon request, and that no disclosure of the drawing or the information shown hereon will be made to a third party without the written consent from Atlas High Equipment Company.</small>	
ICE-O-MATIC	
A 2282647 Document	
TITLE CONTROL BOX ASSEMBLY	
SCALE 1=1	SHEET 1 OF 1 DATE 10/6 1.318CB0

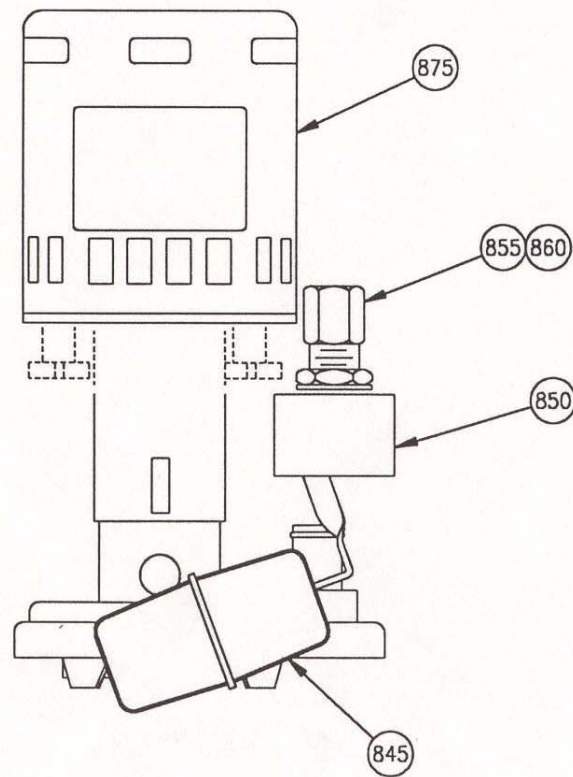
C121



GENERAL NOTES REFRIGERANT: R134A This assembly and all components are designed for use with R134A refrigerant. Do not use any other refrigerant. If the system is to be used with R134A, it must be certified by a competent authority to be suitable for use with R134A. Do not use any other refrigerant.	ICE-O-MATIC WCOND ASSEMBLY
--	---

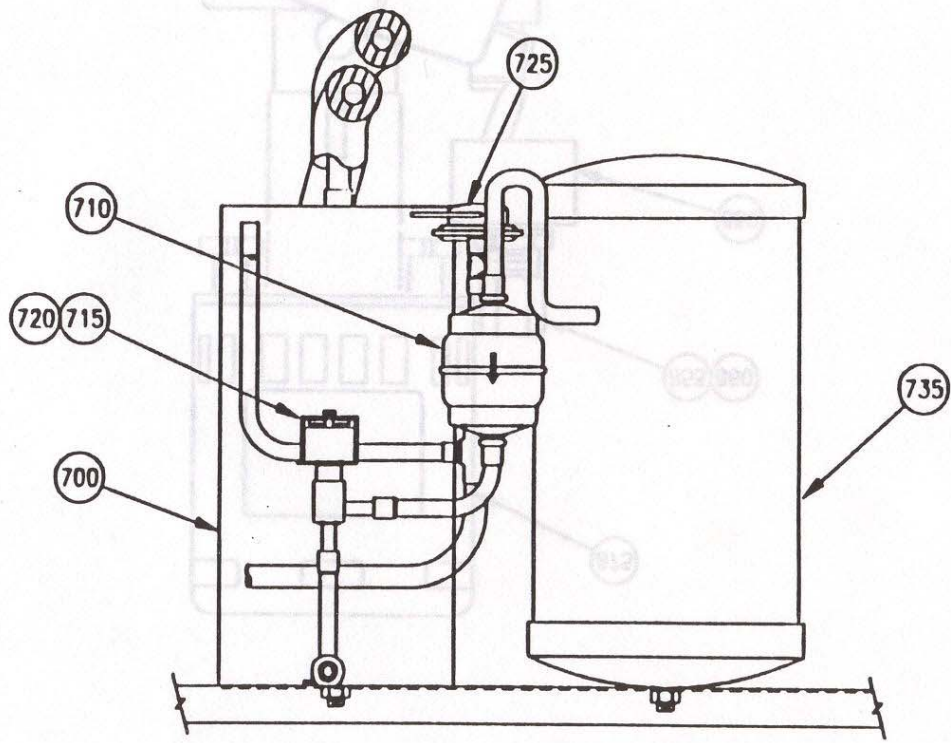


Model: FIVE-1/2" x 10" H
ESTABLISHED COMPANY SINCE 1910
The finest and most durable
ICE-O-MATIC
WATER CONDENSER



MODEL A/W/R "B" SERIES
 RESTRICTED, CONFIDENTIAL, SOCGMINT
 This drawing and all information shown
 herein are the exclusive property of the
 High Equipment Company, and are sub-
 jected only on a nonexclusive basis, the
 recipient agrees not to reproduce the draw-
 ing, to retain it, report requests, and that no
 disclosure of the drawing or the information

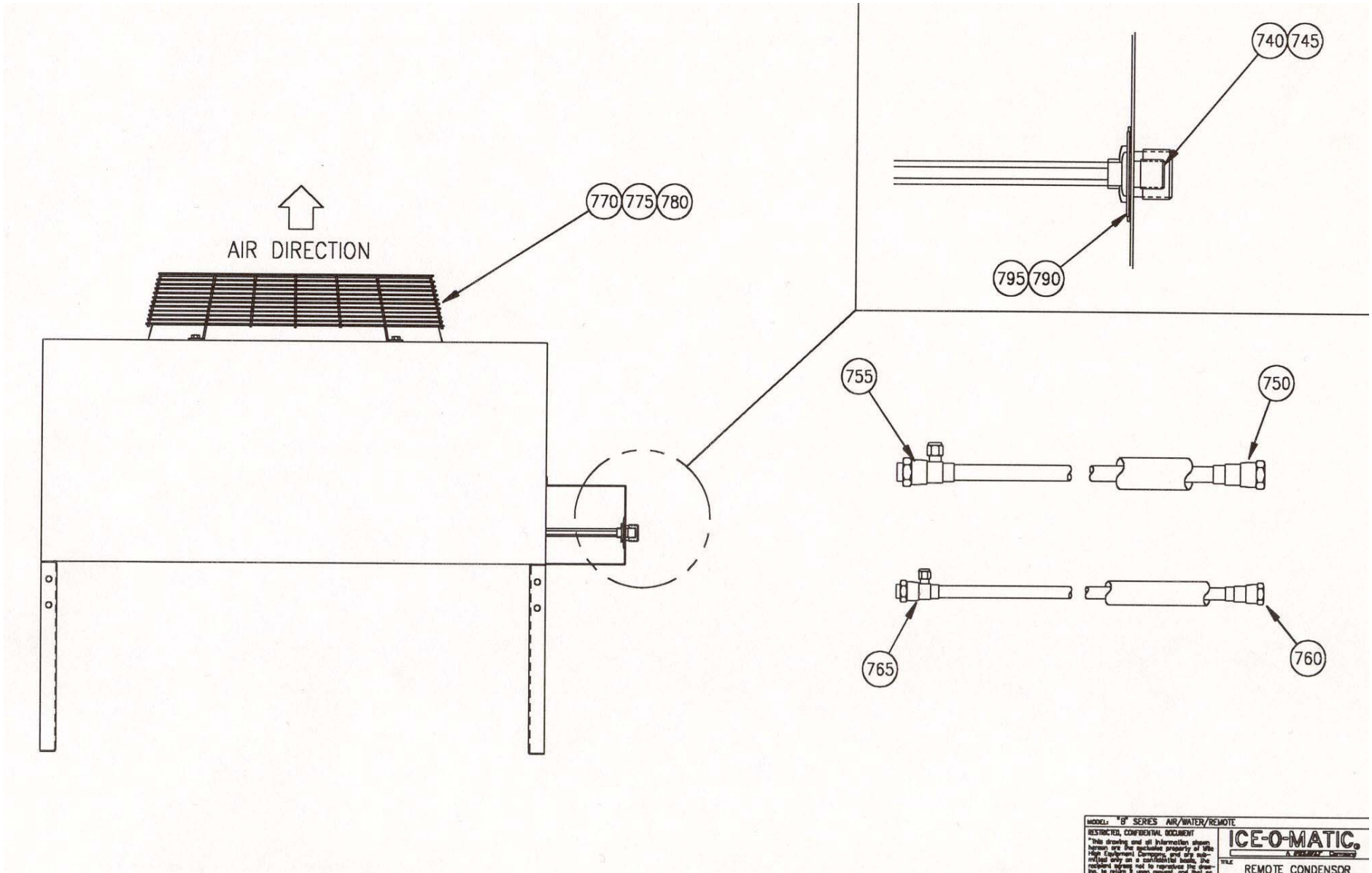
ICE-O-MATIC
 A *FRIGIDAIR* Division
 THE WATER PUMP/FLOAT
 ACCESSORY



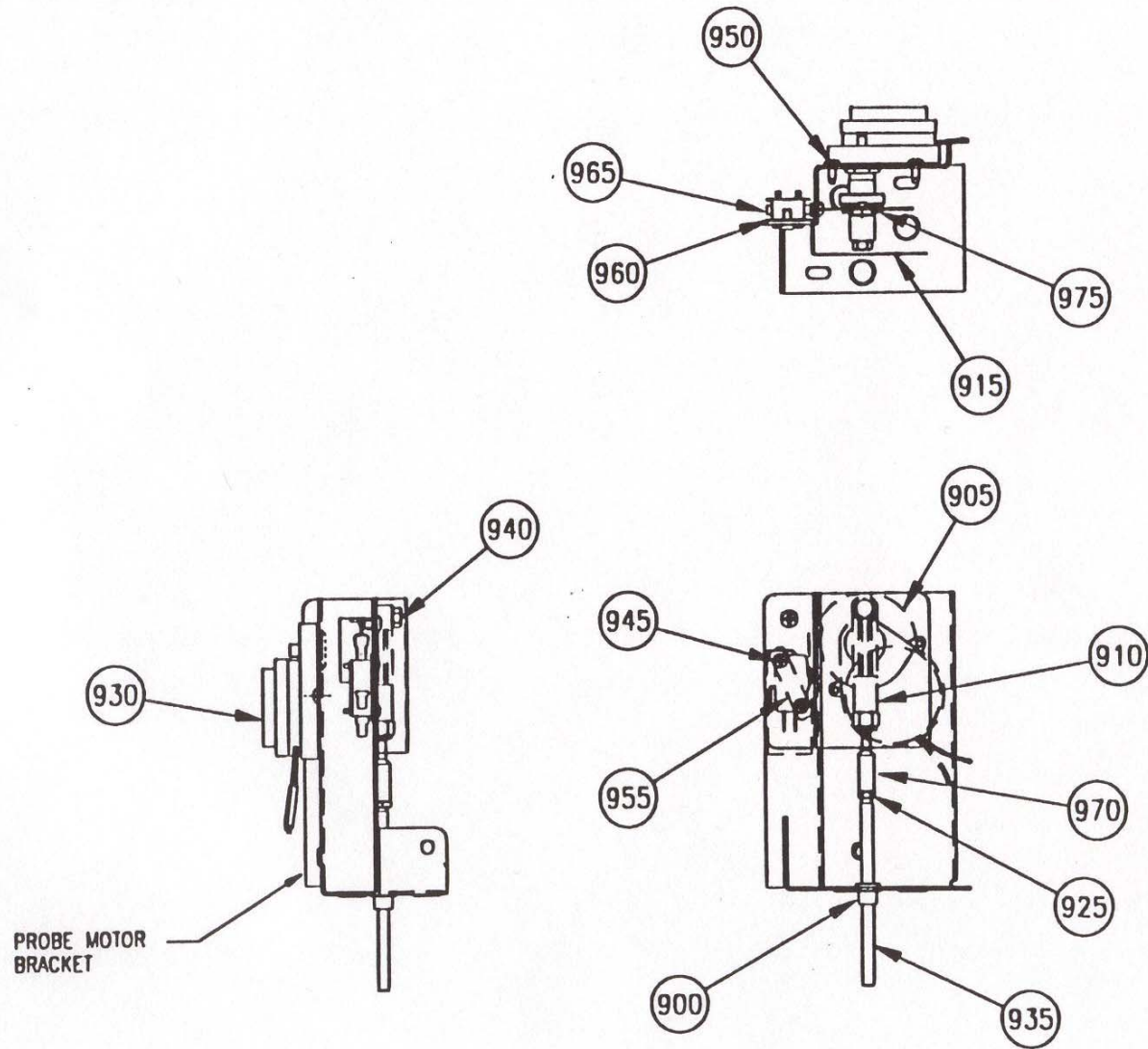
MODEL: ICE-O-MATIC AIR/WATER/REMOTE
 RESTRICTED, CONFIDENTIAL DOCUMENT
 This drawing and all information thereon are the property of the manufacturer and are to be used only for the purpose specified. No part of this drawing is to be reproduced or transmitted in any form or by any means, electronic or mechanical, including photocopying, recording, or by any information storage and retrieval system, without the prior written permission of the manufacturer.

ICE-O-MATIC
 REMOTE RECEIVER ASSEMBLY

C121



C121



HARVEST PROBE ASSEMBLY