

Ice-O-Matic[®]



Ice. Pure and Simple[™]

SERVICE PARTS MANUAL
The ICE Series Undercounter Cubers
MODEL-ICEU300A2,A3,A4,A5,A6
W2,W3,W4,W5 - ICEU305A2,A3 - W2,W3



14-1015

Date 08/28/2023

This parts list contains the service parts available for the following ICE Undercounter icemakers.

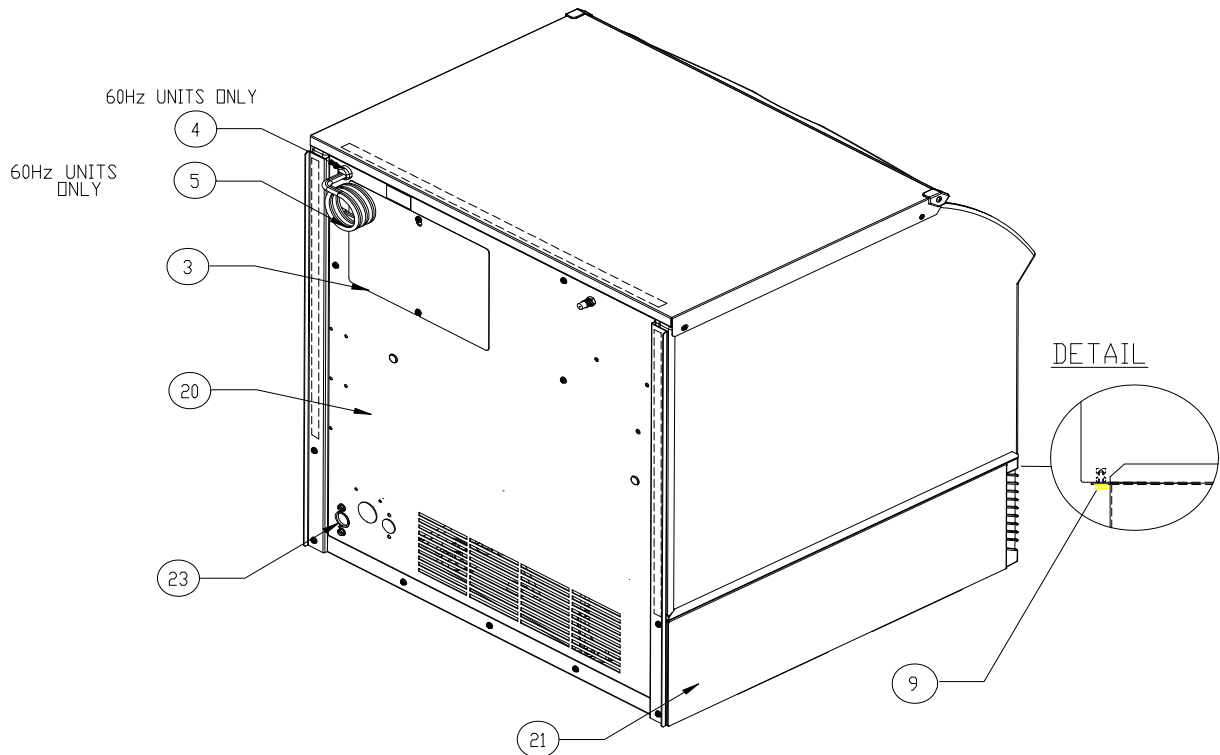
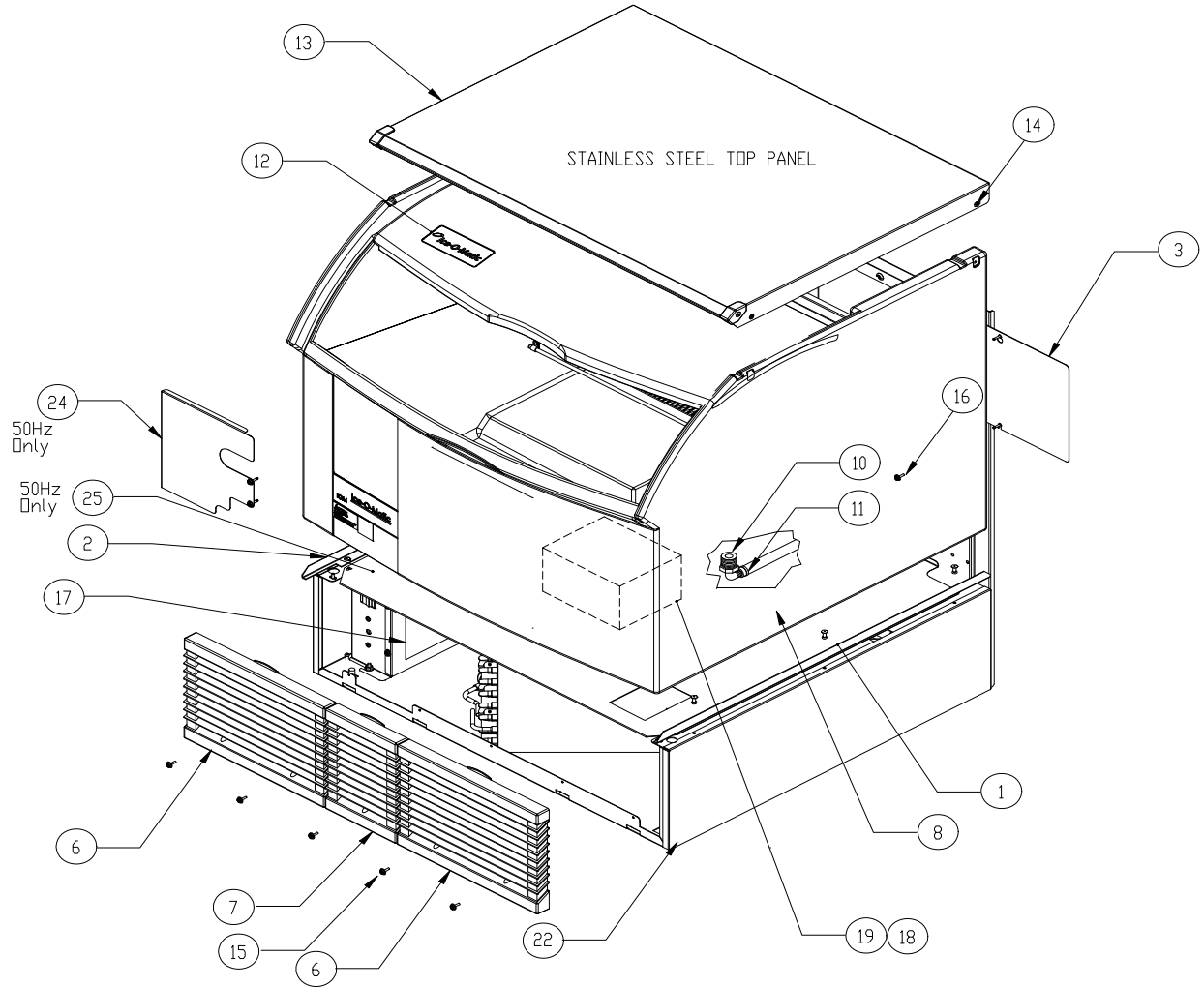
ICEU300A2-W2, A3-W3, A4-W4
ICEU305A2-W2

Check the model number on the data plate and refer to the correct listing for the specific component.

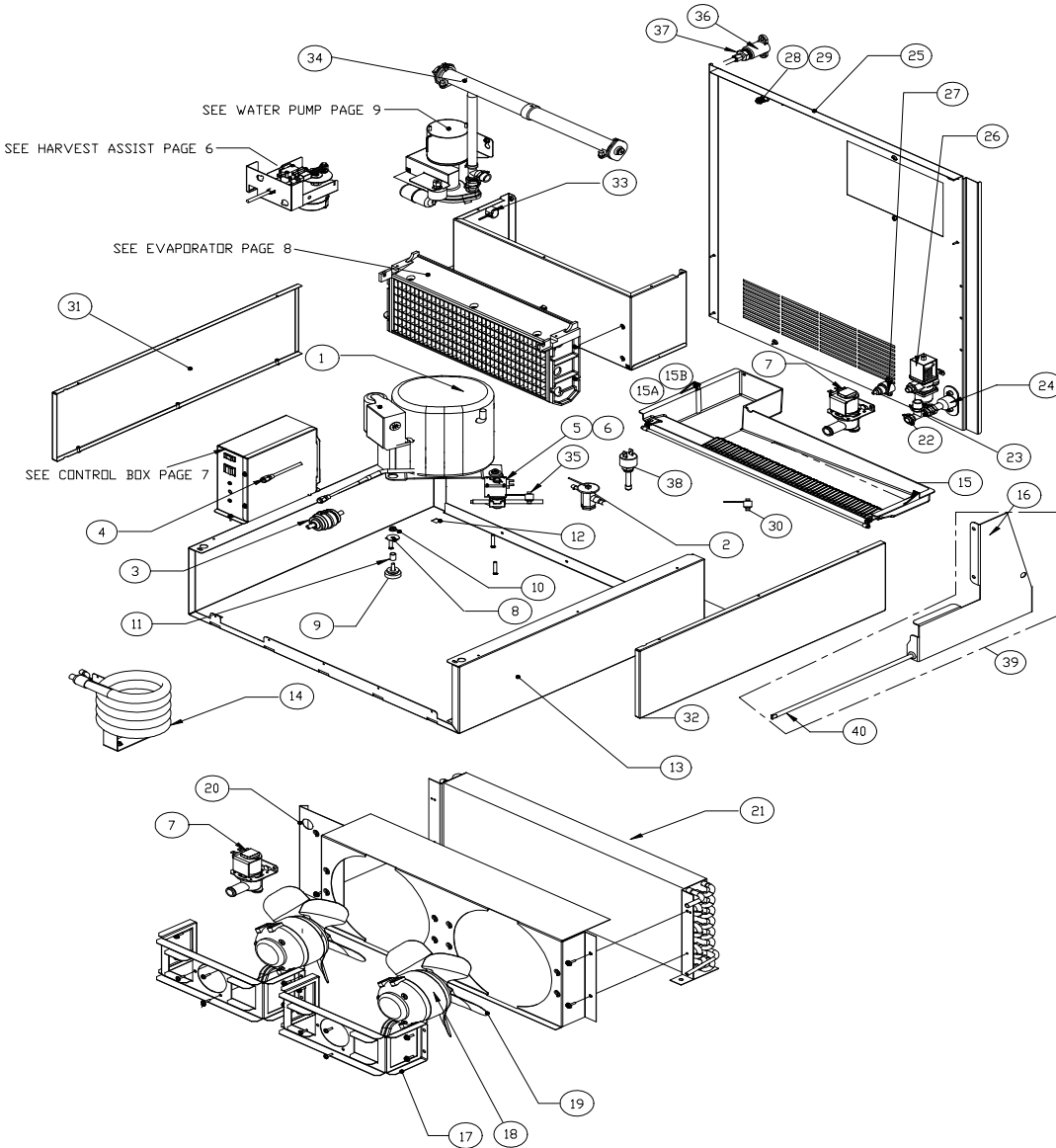
Check carefully that the correct part is identified and ordered.

Table of Contents	Page 1
Bin and Exterior Components	Page 2 - 3
Refrigeration System	Page 4 - 5
Harvest Assist Assembly	Page 6
Control Box	Page 7
Evaporator	Page 8
Water Pump	Page 9

Ice-O-Matic
11100 East 45th Ave.
Denver Co. 80239
800-423-3367



Item	ICEU300	ICEU305	Description
1	3021895-01	3021895-01	Trim Strip RH
2	3051895-02	3051895-02	Trim Strip LH
3	3012149-01	3012149-01	Panel Rear Access
4	9151015-04	N/A	Bushing, Strain Relief
5	9101242-01	N/A	Power Cord 115 Volt Only
6	9051530-01	9051530-01	Front Grill Large
7	9051531-01	9051531-01	Front Grill Small
8	2101400-01S	2101400-01S	Bin Assembly (Includes Item 10)
9	9031112-01	9031112-01	Hex Head Machine Screw
10	9091122-02	9091122-02	Drain Elbow
11	9021010-04	9021010-04	Clamp
12	2101434-01S	2101434-01S	Bin Door Assembly
	9051525-04	9051525-04	Bin Door
	9031122-03	9031122-03	Thumb Screw
	3013235-01	3013235-01	Door Stop
13	2101429-01S	2101429-01S	Bin Top Assembly Stainless Steel
	9051573-02	9051573-02	Plastic Corner Cap Left Side
	9051573-01	9051573-01	Plastic Corner Cap Right Side
	9031098-02	9031098-02	Truss Head Sheet Metal Screw-Plastic Corner
14	9031023-10	9031023-10	Top Panel Screw
15	9031046-03	9031046-03	Screw
16	9031162-01	9031162-01	Bin Fastener Thumb Nut Three Prong
17	3013161-01	3013221-01	Control Box Cover
18	9021001-04	9021001-04	Leg Set (4 each)
19	9051127-02	9051127-02	Ice Scoop
20	2021646-01	2021646-01	Rear Panel
21	3021883-01	3021883-01	Left Side Panel
22	3021883-01	3021883-01	Right Side Panel
23	9091140-01	9091140-01	Plastic Drain Fitting
24	N/A	3013242-01	Water Pump Cover
25	N/A	3013241-01	Cover Base Panel



Compressor Components

Item	ICEU300	ICEU305
	A2 W2	A2 W2
1	9181121-11	9181122-11
	9181005-37	9181005-39
	9181003-39	9181003-40
	9181004-27	9181010-30
	N/A	9181009-08
	9181195-01	9181195-01

ICEU300	Description
A4 W4	Revision Number
9181163-101	Compressor
9181005-49	Overload
9181003-50	Start Capacitor
9181010-33	Compressor Relay
9181009-25	Run Capacitor
9181195-01	QC Apapter

The Compressor Part Number has changed for the ICEU300 Model as indicated in above.

ICEU300 Service Parts

Refrigeration

Item	ICEU300	ICEU305	Description
2	9151154-101***	9151154-101***	Expansion Valve (Replaces 9151134-04)
3	9151163-01	9151163-01	Drier-Air Cooled (Replaces 9151004-02)
	9151163-04	9151163-04	Drier-Water Cooled (Replaces 9151004-05)
4	9091086-01	9091086-01	Service Valve Body
	9091086-02	9091086-02	Service Valve Core
	9091086-03	9091086-03	Service Valve Cap
5	9151123-06	9151123-06	Hot Gas Valve Body
6	9151123-03	9151123-04	Hot Gas Valve Coil
7	9041105-04	9041105-05	Purge Valve (Replaces 9041086)
8	9031004-02	9031004-02	Flat Washer
9	9181002-07	9181002-07	Grommet
10	9031118-02	9031118-02	Lock Nut
11	9181002-08	9181002-08	Sleeve Compressor Mounting
12	9031012-02	9031012-02	Lock Nut (Leg)
13	2021644-01	2021644-01	Base Assembly
14	9141121-01	9141121-01	Water Condenser
15	2101399-01	2101399-01	Water Trough Assembly (With Brass Thermal Well)
15	9051527-01	9051527-01	Water Trough From SN 11121280010580
15A	9031046-24	9031046-24	Water Trough Screws
15B	9031004-19	9031004-19	Rubber Washer
16	3013270-01	3013270-01	Water Trough Support Bracket
16	3013425-01	3013425-01	Water Trough Support Bracket From SN 11121280010580
17	3013243-01	3013243-01	Fan Bracket
18	9161150-01	9161112-02	Fan Motor
19	9131446-01	9131446-01	Fan Blade
20	3013217-01	3013217-01	Fan Shroud
21	9141128-01	9141128-01	Air Condenser
22	9021010-04	9021010-04	Hose Clamp
23	9091024-01	9091024-01	Barbed Tee
24	9091140-01	9091140-01	Drain Fitting
25	2021646-01	2021646-01	Rear Panel
26	9041059-01	9041059-01	Water Regulator
27	9091063-02	9091063-02	Drop Adapter Fitting
28	9091135-01	9091135-01	Water Inlet Fitting
29	9031118-05	9031118-05	Flanged Lock Nut
30	9041087-03	9041087-03	High Temperature Safety Control (Mounted on Suction Line, 120°F)
31	3021883-01	3021883-01	Side Panel S/S
32	3021883-01	3021883-01	Side Panel S/S
33	9101218-14	9101218-14	Water Pump Connector
34	2041338-01	2041338-01	Water Distribution Tube
35	9041117-02	9041117-02	High Temperature Safety Control-From SN 10041280011405
36	9091074-01	9091074-01	Drop Adapter Fitting-From SN 10041280011405
37	9091083-01	9091083-01	Water Inlet Body*-From SN 10041280011405
	9091083-03	9091083-03	Water Inlet Nut**-From SN 10041280011405
38	9041111-01	9041111-01	High Pressure Control-From SN 10041280011405, 9041091-01 is Obsolete
39	2021704-01	2021704-01	Bin Stat Bracket Assy-From SN 11121280010580
40	3032819-01	3032819-01	Tube, Bin Control-From SN 11121280010580

**Note 9091083-03 is the Nut Only, it DOES NOT include the 9091083-01 Water Inlet Body

*** Note Include Installation Components

Reference the Model Number below for the specific Harvest Assist Assembly

Item	ICEU300	ICEU305	Description
	1051210-05B*	1051210-07B	Complete Assembly
	2061962-05S*	2061962-07S	No Longer Available
	1051210-01B**		Complete Assembly
	2061962-11S**		No Longer Available

Note*, Prior to April 2014 (SN1404)

Note**, From April 2014 (SN1404)

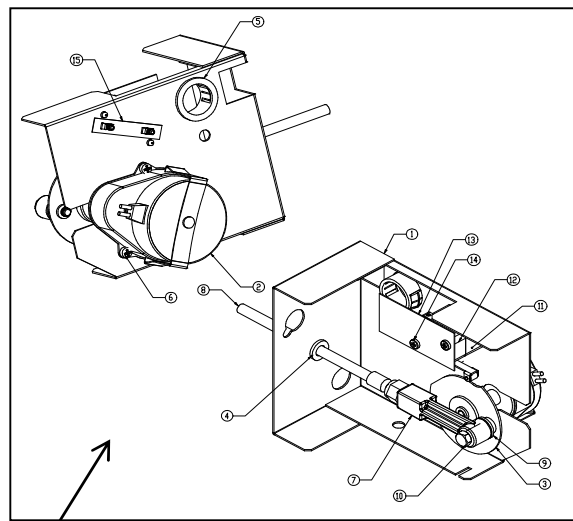
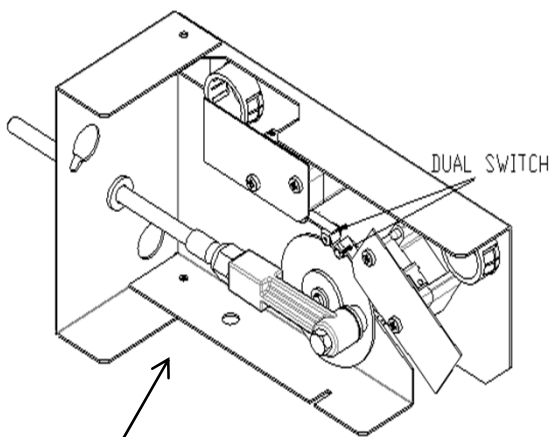


- The **1051210-XXA** assembly will fit all ICE Models from October 1999 and EC Models.
- Units installed with a double cam switch, either Field installed or Factory installed will require the complete assembly and a potential wiring change as per the New Wiring Diagram included with the assembly.
- Individual component parts are not available for the **1051210-XXA** assembly.
- Individual component parts are No Longer Available for previous version of the Harvest Assist Assembly
- Parts for the **2061962-XX** Harvest Assist Assembly are not compatible with **1051210-XXA** Harvest Assist Assembly.
- Proper assembly and alignment of the parts is critical to proper operation, this includes cam and probe alignment.
- If a **1051210-XXA** assembly fails, it must be returned to Ice-O-Matic.

1051210-XX are only supplied as complete assemblies, individual components are not available.

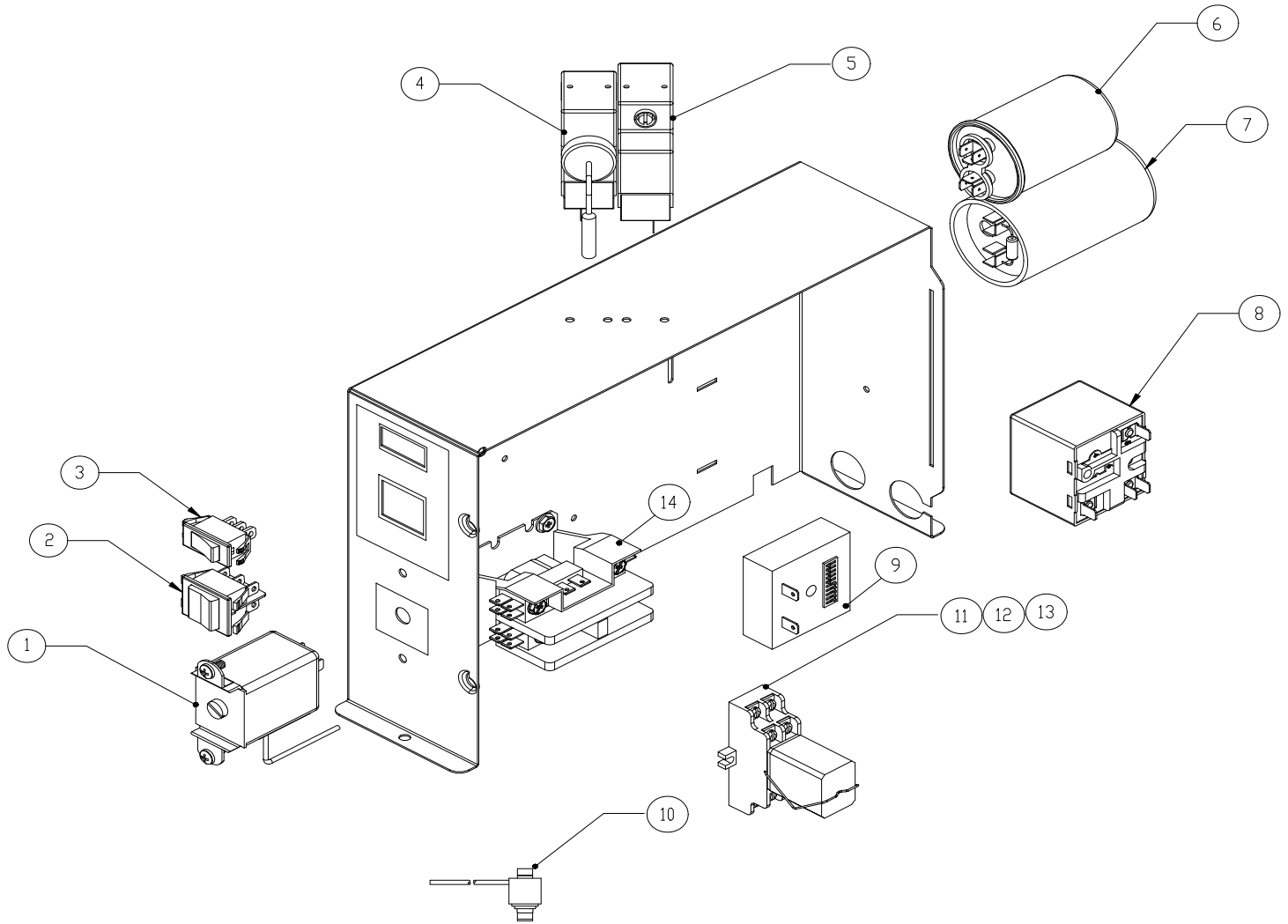
Please reference the above Model Numbers to insure the correct assembly is supplied

THE DUAL CAM SWITCH HARVEST ASSIST ASSEMBLIES ARE NO LONGER AVAILABLE



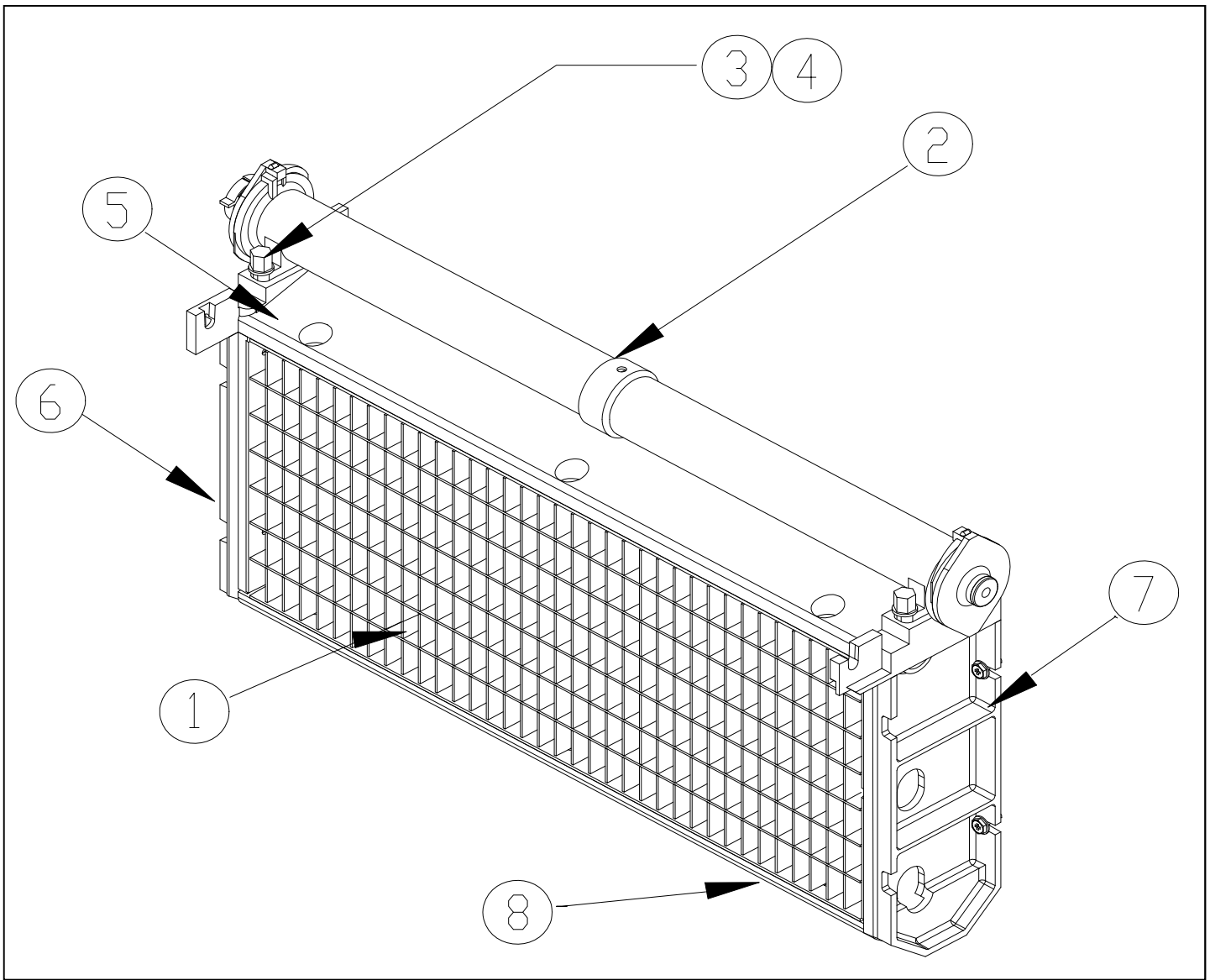
1051199-01 No Longer Available
1051200-01 No Longer Available
1051201-01 No Longer Available
1051202-01 No Longer Available
1051207-01 No Longer Available

2061962-05S No Longer Available
2061962-07S No Longer Available
2061962-11S No Longer Available

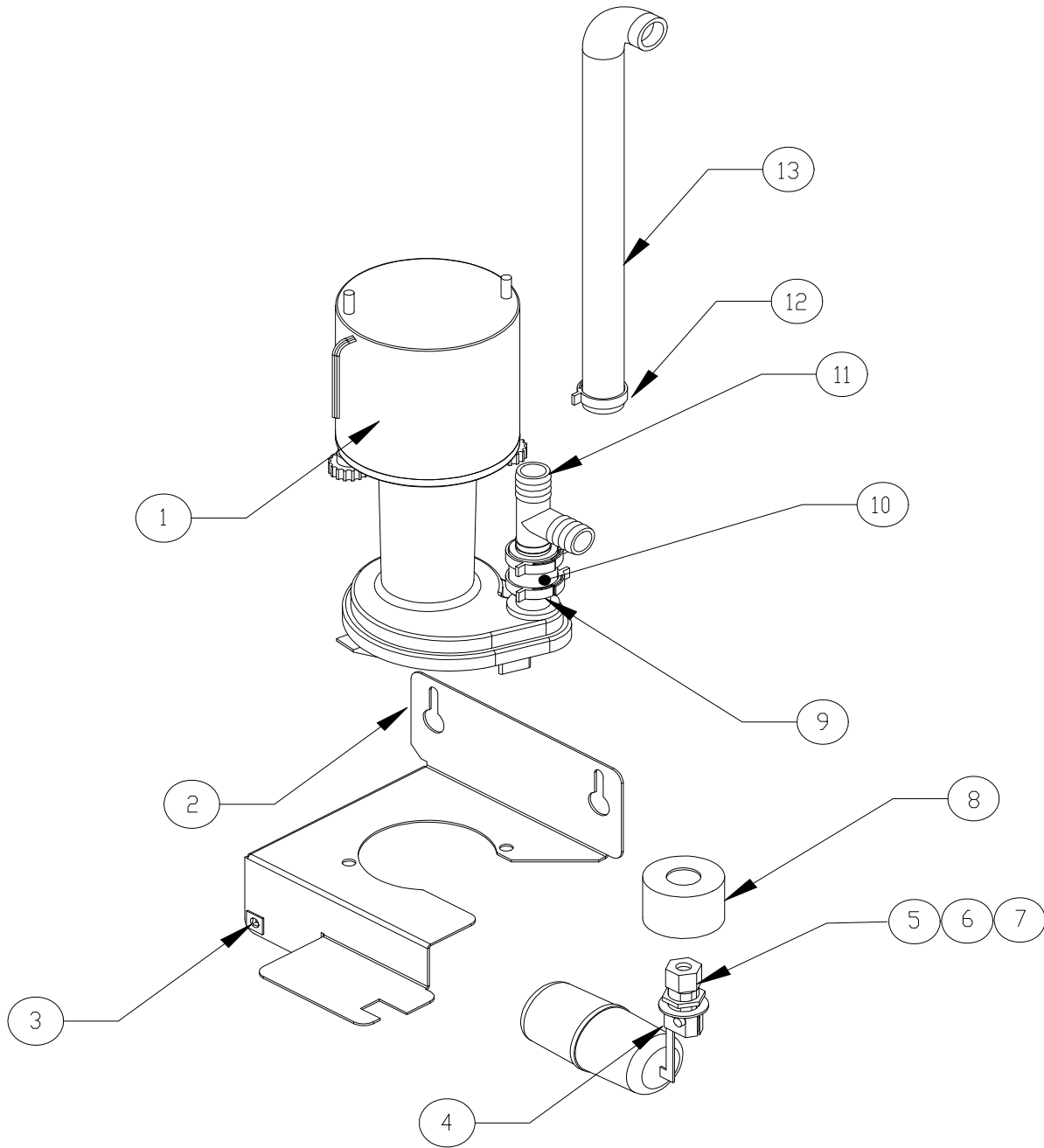


Item	ICEU300	ICEU305	Description
1	9041097-01	9041097-01	Thermostat-Bin Control
2	9101349-01	9101349-01	Ice/Off/Wash Switch (NLA)
	9101195-01	9101195-01	Ice/Off/Wash Switch
3	9101348-01	9101348-01	Switch-Purge From SN1407 (NLA)
3	1051208-01	1051208-01	Switch-Purge Prior to SN1407 (NLA)
	9101139-03	9101139-03	Switch-Purge
4	9041095-01	9041095-01	High Pressure Control-When 9041095-01 is NLA, Use 9041111-01
4	9041111-01	9041111-01	High Pressure Control-From SN 10041280011405-9041091-01 is Obsolete
5	9041104-101A	9041104-101A	Low Pressure Control* (Replaces 9041094-01)
6	N/A	See Page 4	Run Capacitor-Compressor
7	See Page 4	See Page 4	Start Capacitor-Compressor
8	See Page 4	See Page 4	Relay-Compressor
9	9101148-01	9101148-01	Timing Module
10	9041087-03	9041087-03	High Temperature Safety Control
10	9041098-01	9041098-01	High Temperature Safety Control-From SN 10041280011405
11	9101084-01	9101084-02	Relay
12	9101083-01	9101083-01	Socket-Relay
13	9041083-02	9041083-02	Hold Down Spring - Relay
14	9101002-07	9101002-06	Contactor-From SN 10041280011405

Note* Includes Solvent and Adhesive



Item	ICEU300	ICEU305	Description
1	2051231-02s	2051231-02s	Evaporator Assembly-Half Cube (Shown)
1	2051231-01s	2051231-01s	Evaporator Assembly-Full Cube
2	2041338-01	2041338-01	Water Distribution Tube
3	9031122-01	9031122-01	Thumbscrew
4	9031004-19	9031004-19	Rubber Washer
5	9051135-05	9051135-05	Spillway
6	9051136-07	9051136-07	Left Side Evaporator Mounting Panel
7	9051136-08	9051136-08	Right Side Evaporator Mounting Panel
8	9051135-04	9051135-04	Water Return



Item	ICEU300	ICEU305	Description
1	9161076-01	9161076-02	Water Pump
2	3013219-01	3013219-01	Pump Bracket
3	9031141-01	9031141-01	Plastic Nut
4	9131111-101	9131111-101	Float (9131111-101 Includes Fittings)*
5	6021032-01	6021032-01	Tube-Polyethylene - 11 Inches Required
6	9091080-01	9091080-01	Barrel Fitting
7	9091081-01	9091081-01	Sleeve
8	9131026-02	9131026-02	Cap Plug
9	3051223-02	3051223-02	Hose PVC 5/8 - 2.00 Inch Required
10	9021010-04	9021010-04	Plastic Clamp
11	9091024-01	9091024-01	Barbed Tee
12	9021010-04	9021010-04	Plastic Clamp
13	9051280-05	9051280-05	Drain Tube

Note* The 9131111-01 is NLA, Replaced by 9131111-101 which includes fittings.