

SUBJECT: UNDERCOUNTER BIN THERMOSTAT RELOCATION

Number: 12-04
Product: Cuber
Date Issued: March 2012
From: Technical Service

Ice-O-Matic has elected to relocate the bin thermostat in our ICEU line of self-contained ice machines.

The relocation of the bin thermostat to the side of the bin will provide better ice level control, easier access to ice, and provide a more stable control in a wider variety of atmospheric situations. The thermal well and bracket is secured to the evaporator mounting bracket.

Effected Models

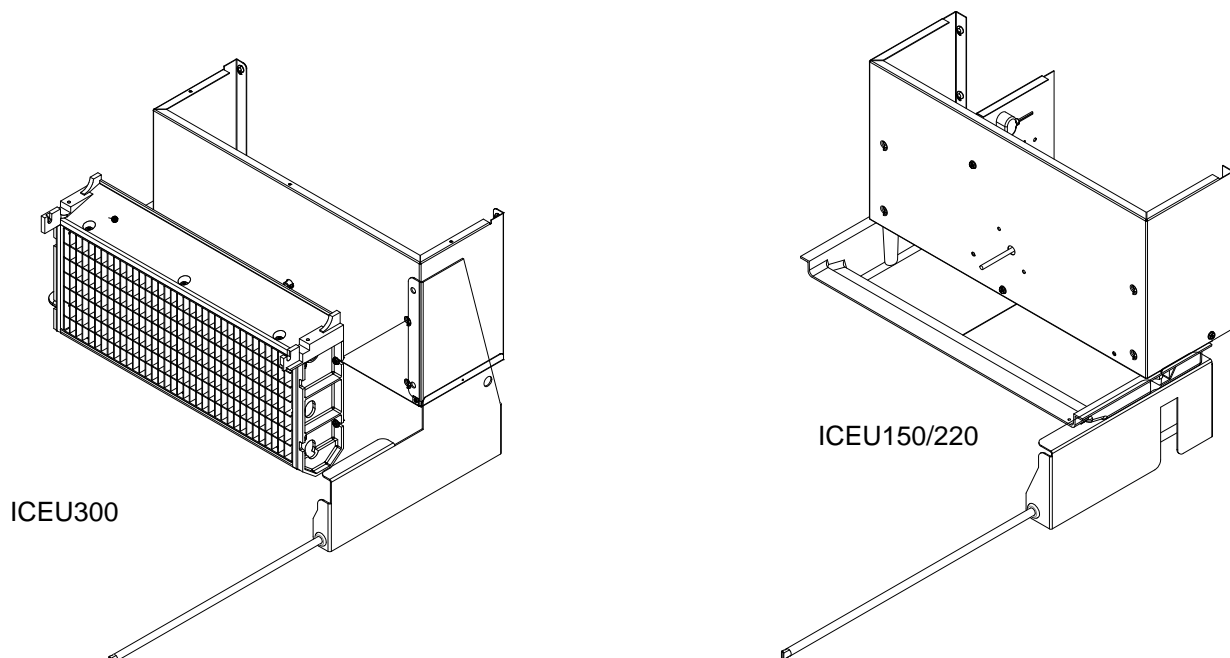
ICEU150 ICEU225 ICEU300
ICEU220 ICEU226 ICEU305

Please review the revised adjustment procedures.

The Bin Thermostat used on these Self Contained Ice Cuber Machines is a sensitive device influenced by ambient conditions including altitude and temperature. The machine is set up to operate properly at the factory for 70°F at sea level. If your ice machine shuts off early, bin half full, or doesn't shut off, bin overflowing, please follow these instructions to set the bin thermostat.

1. These instructions are best followed on a full ice bin with at least 3 inches of ice resting against the brass thermal well. The machine must be running to perform this adjustment; follow step two if the machine is off.
2. Turn the thermostat adjustment screw clockwise until it stops; this is the max cold setting and will prevent the machine from shutting off.
3. Hold a minimum of 3 inches of ice against the middle of the brass thermal well for 3-4 minutes. It is imperative that enough ice be used for the prescribed time to properly cool the thermostat.
4. Slowly turn the adjustment screw counter-clockwise until the machine shuts off. If the screw is turned too quickly, the thermostat could be set to too warm a temperature. Turn slowly.
5. Remove the ice from the well and warm the brass with your hand; the machine should turn back on.

The ice machine is now set for ambient conditions. If the ice machine location experiences significant changes in ambient temperatures, this procedure will need to be followed again.



If you have any questions, please contact the Ice-O-Matic Service Department at 1-800-423-3367