



**SERVICE PARTS MANUAL**  
**The ICE Series Undercounter Cubers**  
**MODEL-ICEU150 A4,A5,A6,A7-W4,W5,W6, W7**  
**ICEU220 A2,A3,A4,-W2,W3,W4,**  
**ICEU225 A2,A3,A4-W2,W3,W4 ICEU226 A2,A3-W2,W3**



14-1016

Date 02/26/2020



This parts list contains the service parts available for the following ICE Undercounter icemakers:

**ICEU150A4,A5,A6,A7-W4,W5,W6, W7**

**ICEU220A2,A3,A4-W2,W3,W4**

**ICEU225A2,A3,A4-W2,W3,W4**

**ICEU226A2,A3-W2,W3**

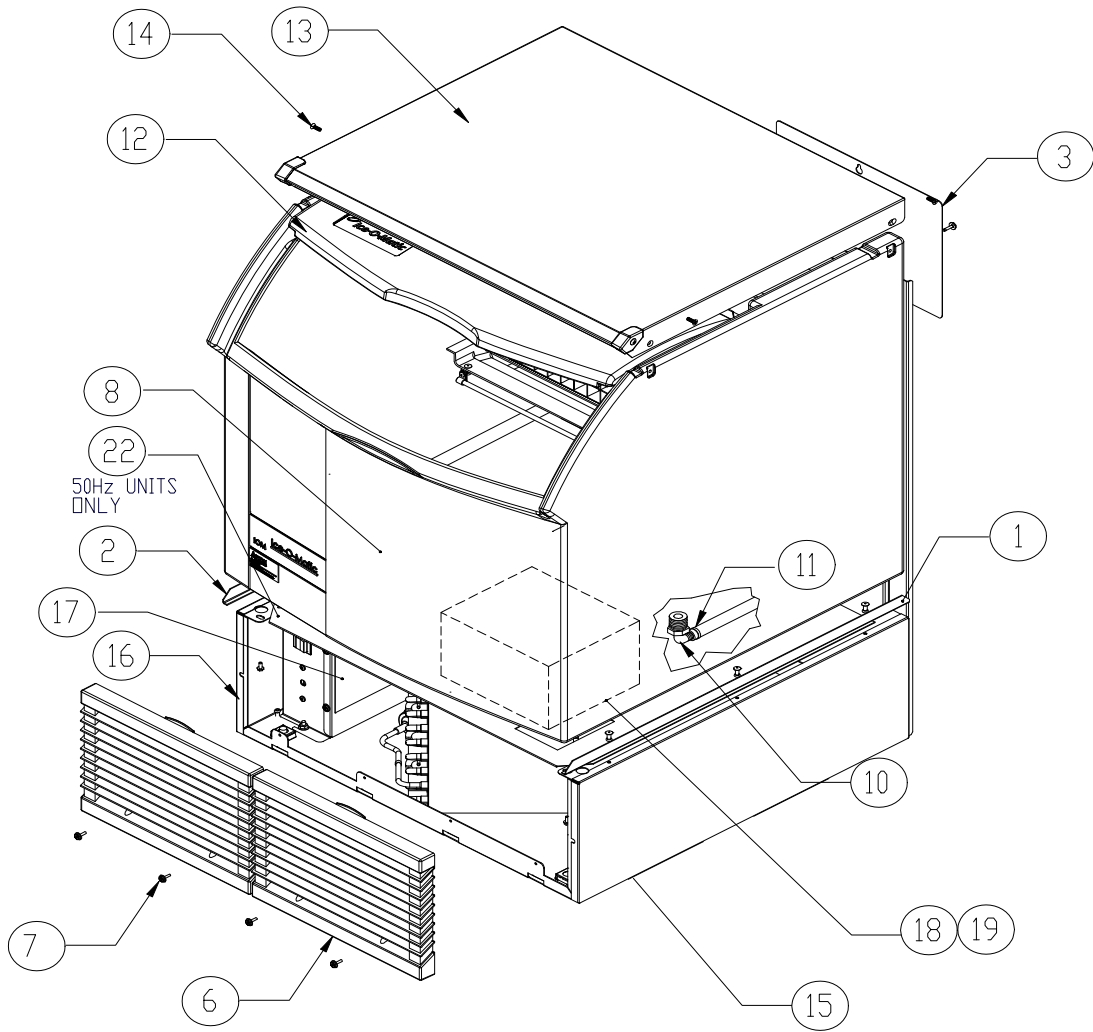
Check the model number on the data plate and refer to the correct listing for the specific component.

Check carefully that the correct part is identified and ordered.

|                             |            |
|-----------------------------|------------|
| Table of Contents           | Page 1     |
| Bin and Exterior Components | Page 2 - 3 |
| Refrigeration System        | Page 4 - 5 |
| Harvest Assist Assembly     | Page 6     |
| Control Box                 | Page 7     |
| Evaporator                  | Page 8     |
| Water Pump                  | Page 9     |
| Compressor Part Numbers     | Page 10-11 |
| Drain Tubing                | Page 12    |

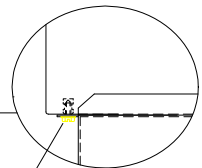
Ice-O-Matic  
11100 East 45th Ave.  
Denver Co. 80239  
800-423-3367

The ICE Series Service Manual is available separately, Part Number 9081270-01



60Hz UNITS ONLY  
60Hz UNITS ONLY

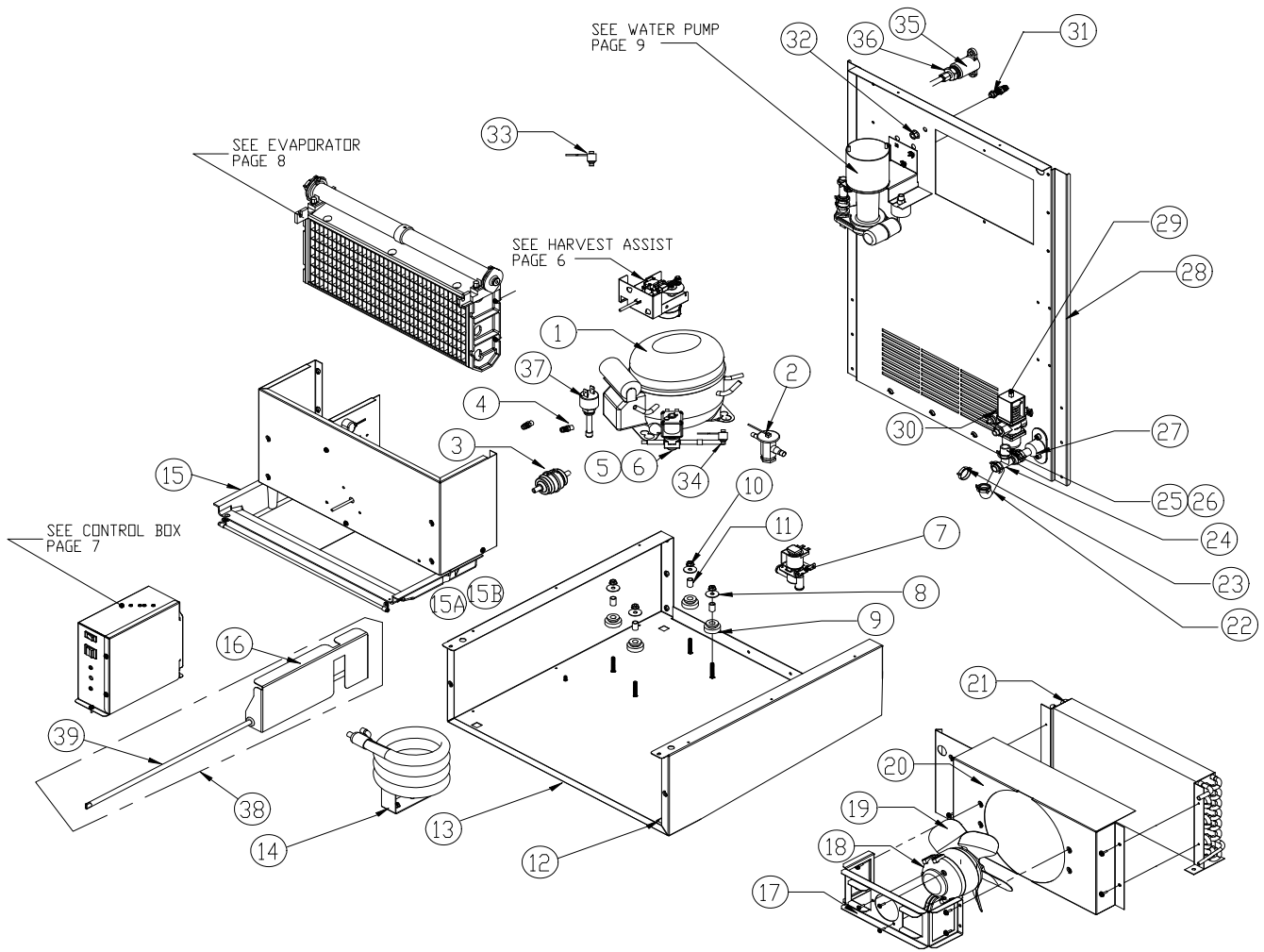
DETAIL



## ICE Undercounter Service Parts

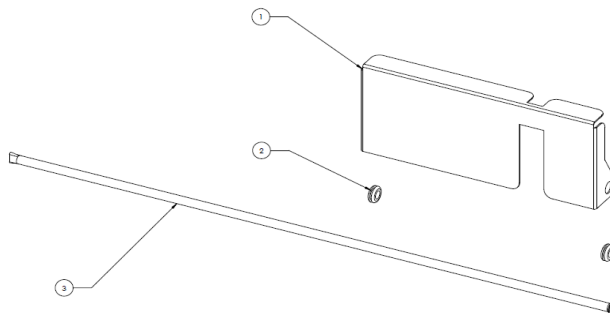
## Bin and Exterior Components

| Item | ICEU150    | ICEU220    | ICEU225       | ICEU226       | Description   |
|------|------------|------------|---------------|---------------|---|
| 1    | 3021875-01 | 3021875-01 | 3021875-01    | 3021875-01    | Trim Strip RH   |
| 2    | 3021875-02 | 3021875-02 | 3021875-02    | 3021875-02    | Trim Strip LH   |
| 3    | 3012149-01 | 3012149-01 | 3012149-01    | 3012149-01    | Panel, Rear Access                                      |
| 4    | 9121015-04 | 9121015-04 | 9121015-04    | 9121015-04    | Strain Relief   |
| 5    | 9101242-01 | 9101242-01 | Not Available | Not Available | Power Cord (ICEU225 and 226, Power Cord field supplied) |
| 6    | 9051530-01 | 9051530-01 | 9051530-01    | 9051530-01    | Front Grill (2 required, sold each)                     |
| 7    | 9031046-03 | 9031046-03 | 9031046-03    | 9031046-03    | Front Grill Screw                                       |
| 8    | 2101419-01 | 2101419-01 | 2101419-01    | 2101419-01    | Bin Assembly (Includes Item 10)                         |
| 9    | 9031112-01 | 9031112-01 | 9031112-01    | 9031112-01    | Screw Hex Head  |
| 10   | 9091122-03 | 9091122-03 | 9091122-03    | 9091122-03    | Drain Elbow 9091122-02 is NLA                           |
| 11   | 9021010-04 | 9021010-04 | 9021010-04    | 9021010-04    | Clamp   |
| 12   | 2101417-01 | 2101417-01 | 2101417-01    | 2101417-01    | Bin Door Assembly                                       |
|      | 9051534-01 | 9051534-01 | 9051534-01    | 9051534-01    | Bin Door  |
|      | 9031122-03 | 9031122-03 | 9031122-03    | 9031122-03    | Thumb Screw   |
|      | 3013249-01 | 3013249-01 | 3013249-01    | 3013249-01    | Door Stop   |
| 13   | 2101426-01 | 2101426-01 | 2101426-01    | 2101426-01    | Bin Top Assembly  |
|      | 9051573-02 | 9051573-02 | 9051573-02    | 9051573-02    | Plastic Corner Cap Left Side                            |
|      | 9051573-01 | 9051573-01 | 9051573-01    | 9051573-01    | Plastic Corner Cap Right Side                           |
|      | 9031098-02 | 9031098-02 | 9031098-02    | 9031098-02    | Truss Head Sheet Metal Screw-Plastic Corner             |
| 14   | 9031023-10 | 9031023-10 | 9031023-10    | 9031023-10    | Top Panel Screw   |
| 15   | 3021874-01 | 3021874-01 | 3021874-01    | 3021874-01    | Right Side Panel  |
| 16   | 3021874-01 | 3021874-01 | 3021874-01    | 3021874-01    | Left Side Panel   |
| 17   | 3013161-01 | 3013161-01 | 3013161-01    | 3013161-01    | Control Box Cover                                       |
| 18   | 9021001-04 | 9021001-04 | 9021001-04    | 9021001-04    | Leg Set (4 each)  |
| 19   | 9051127-02 | 9051127-02 | 9051127-02    | 9051127-02    | Ice Scoop   |
| 20   | 2021675-01 | 2021675-01 | 2021675-01    | 2021675-01    | Rear Panel  |
| 21   | 9091140-01 | 9091140-01 | 9091140-01    | 9091140-01    | Drain Fitting   |
| 22   | N/A        | N/A        | 3013319-01    | N/A           | Cover Base Panel  |
| 24   | 9031162-01 | 9031162-01 | 9031162-01    | 9031162-01    | Thumb Nut Three Prong                                   |



| Item   | ICEU150 | ICEU220 | ICEU225 | ICEU226 | Description |
|--|---------|---------|---------|---------|-------------|
| <b>Reference Page 10 for Compressor Part Numbers</b> |         |         |         |         |             |

| <b>Specific to the Bin Control Bracket</b> |            |            |            |            |                       |
|--|------------|------------|------------|------------|-----------------------|
| Item                                       | ICEU150    | ICEU220    | ICEU225    | ICEU226    | Description           |
| 1  | 3013424-01 | 3013424-01 | 3013424-01 | 3013424-01 | Bracket               |
| 2  | 9051002-16 | 9051002-16 | 9051002-16 | 9051002-16 | Grommets              |
| 3  | 3032819-01 | 3032819-01 | 3032819-01 | 3032819-01 | Tube, Bin Control     |
|  | 2021703-01 | 2021703-01 | 2021703-01 | 2021703-01 | Bin Stat Bracket Assy |



| Item | ICEU150     | ICEU220     | ICEU225     | ICEU226     | Description   |
|------|-------------|-------------|-------------|-------------|---|
| 2    | 9151156-101 | 9151156-101 | 9151156-101 | 9151156-101 | Expansion Valve-Danfoss                                     |
| 3    | 9151163-01  | 9151163-01  | 9151163-01  | 9151163-01  | Drier (Replaces 9151004-02)                                 |
| 4    | 9091086-02  | 9091086-02  | 9091086-02  | 9091086-02  | Service Valve Core  |
|      | 9091086-03  | 9091086-03  | 9091086-03  | 9091086-03  | Service Valve Cap   |
| 5    | 9151123-06  | 9151123-06  | 9151123-06  | 9151123-06  | Hot Gas Valve Body  |
| 6    | 9151123-03  | 9151123-03  | 9151123-04  | 9151123-04  | Hot Gas Valve Coil  |
| 7    | 9041105-04  | 9041105-04  | 9041105-05  | 9041105-05  | Purge Valve (Replaces 9041086 Purge Valve)                  |
| 8    | 9031004-02  | 9031004-02  | 9031004-02  | 9031004-02  | Flat Washer   |
| 9    | 9181002-10  | 9181002-10  | 9181002-10  | 9181002-10  | Grommet   |
| 10   | 9031118-02  | 9031118-02  | 9031118-02  | 9031118-02  | Lock Nut  |
| 11   | 9181002-11  | 9181002-11  | 9181002-11  | 9181002-11  | Sleeve Compressor Mounting                                  |
| 12   | 9031012-02  | 9031012-02  | 9031012-02  | 9031012-02  | Lock Nut (Leg)  |
| 13   | 2021673-01  | 2021673-01  | 2021673-01  | 2021673-01  | Base Assembly   |
| 14   | 9141022-01  | 9141022-01  | 9141022-01  | 9141022-01  | Water Condenser   |
|      | 9091063-02  | 9091063-02  | 9091063-02  | 9091063-02  | Condenser Water Out Fitting                                 |
| 15   | 2101151-01  | 2101151-01  | 2101151-01  | 2101151-01  | Water Trough Assembly (With Brass Thermal Well)             |
| 15   | 9051149-02  | 9051149-02  | 9051149-02  | 9051149-02  | Water Trough From SN11121280010581                          |
| 15A  | 9031122-02  | 9031122-02  | 9031122-02  | 9031122-02  | Water Trough Screws   |
| 15B  | 9031004-19  | 9031004-19  | 9031004-19  | 9031004-19  | Rubber Washer   |
| 16   | 9031122-02  | 9031122-02  | 9031122-02  | 9031122-02  | Water Trough Screws   |
| 17   | 3013250-01  | 3013250-01  | 3013250-01  | 3013250-01  | Fan Bracket   |
| 18   | 9161028-01  | 9161112-01  | 9161112-02  | 9161112-02  | Fan Motor   |
| 18   | 9161112-01  |             |             |             | Fan Motor (From Serial Number 12061280012536)               |
| 19   | 9131446-01  | 9131446-01  | 9131446-01  | 9131446-01  | Fan Blade   |
| 20   | 3013254-01  | 3013254-01  | 3013254-01  | 3013254-01  | Fan Shroud  |
| 21   | 9141126-01  | 9141126-01  | 9141126-01  | 9141126-01  | Air Condenser   |
| 22   | 9051280-08  | 9051280-08  | 9051280-08  | 9051280-08  | Purge Drain Tube  |
| 23   | 9021010-05  | 9021010-05  | 9021010-05  | 9021010-05  | Hose Clamp  |
| 24   | 9091024-01  | 9091024-01  | 9091024-01  | 9091024-01  | Barbed Tee  |
| 25   | 3051222-20  | 3051222-20  | 3051222-20  | 3051222-20  | Tubing 9/16 x 20 Inches Long                                |
| 26   | 9021010-04  | 9021010-04  | 9021010-04  | 9021010-04  | Hose Clamp  |
| 27   | 9091140-01  | 9091140-01  | 9091140-01  | 9091140-01  | Drain Adapter   |
| 28   | 2021675-01  | 2021675-01  | 2021675-01  | 2021675-01  | Rear Panel  |
| 29   | 9041059-01  | 9041059-01  | 9041059-01  | 9041059-01  | Water Regulator   |
| 30   | 9091063-02  | 9091063-02  | 9091063-02  | 9091063-02  | Drop Adapter Fitting  |
| 31   | 9091135-01  | 9091135-01  | 9091135-01  | 9091135-01  | Water inlet Fitting   |
| 32   | 9031118-05  | 9031118-05  | 9031118-05  | 9031118-05  | Flanged Lock Nut  |
| 33   | 9041087-03  | 9041087-03  | 9041087-03  | 9041087-03  | High Temperature Safety Control (Suction Line 120°F)        |
| 34   | 9041098-01  | 9041098-01  | 9041098-01  | 9041098-01  | High Temp Safety Control-From SN 10041280011405             |
| 35   | 9091074-01  | 9091074-01  | 9091074-01  | 9091074-01  | Drop Adapter Fitting-From SN 10041280011405                 |
| 36   | 9091083-01  | 9091083-01  | 9091083-01  | 9091083-01  | Water Inlet Body* -From SN 10041280011405                   |
|      | 9091083-03  | 9091083-03  | 9091083-03  | 9091083-03  | Water Inlet Nut** -From SN 10041280011405                   |
| 37   | 9041111-01  | 9041111-01  | 9041111-01  | 9041111-01  | High Pressure Control-From SN 10041280011405-9041091-01=Obs |
| 38   | 2021703-01  | 2021703-01  | 2021703-01  | 2021703-01  | Bin Stat Bracket Assy, From SN11121280010581                |
| 39   | 3032819-01  | 3032819-01  | 3032819-01  | 3032819-01  | Tube, Bin Control, From SN1112180010581                     |
|      | 9091179-02  | 9091179-02  | 9091179-02  | 9091179-02  | Hot Gas Valve Restrictor (Not Shown)                        |

\*Note 9091083-01 is the Water Inlet Body Only, it DOES NOT include 9091083-03 Nut

\*\*Note 9091083-03 is the Nut Only, it DOES NOT include the 9091083-01 Water Inlet Body

Reference the Model Number below for the specific Harvest Assist Assembly

| Item | ICEU150       | ICEU220       | ICEU225       | ICEU226       | Description                                |
|------|---------------|---------------|---------------|---------------|--|
|      | 1051210-05B*  | 1051210-05B*  | 1051210-07B*  | 1051210-07B*  | Harvest Assist Assembly - 60 Degree Clutch |
|      | 2061962-05S*  | 2061962-05S*  | 2061962-07S*  | 2061962-07S*  | No Longer Available                        |
|      | 1051210-01B** | 1051210-01B** | 1051210-02B** | 1051210-02B** | Harvest Assist Assembly - See Note Below   |
|      | 2061962-01S** | 2061962-01S** | 2061962-02S** | 2061962-02S** | No Longer Available                        |

\*Note, Prior to November of 2012 (SN1211)

\*\*Note, From November 2012 (SN1211)

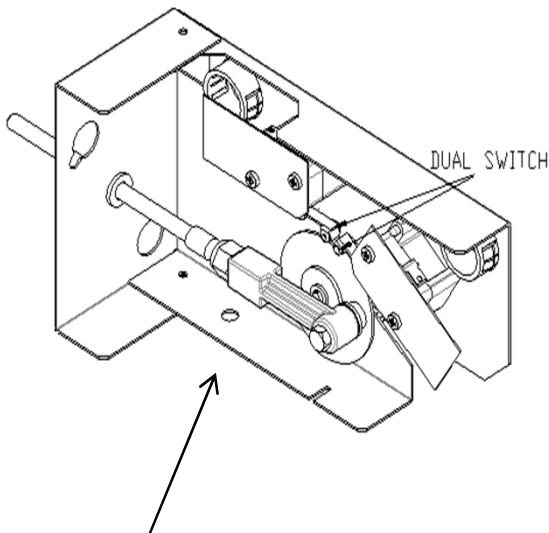


- The **1051210-XXA** assembly will fit all ICE Models from October 1999 and EC Models.
- Units installed with a double cam switch, either Field installed or Factory installed will require the complete assembly and a potential wiring change as per the New Wiring Diagram included with the assembly.
- Individual component parts are not available for the **1051210-XXA** assembly.
- Individual component parts are No Longer Available for previous version of the Harvest Assist Assembly
- Parts for the **2061962-XX** Harvest Assist Assembly are not compatible with **1051210-XXA** Harvest Assist Assembly.
- Proper assembly and alignment of the parts is critical to proper operation, this includes cam and probe alignment.

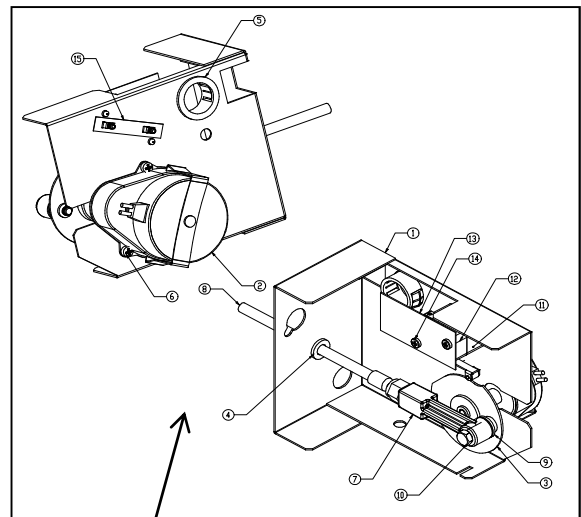
**1051210-XXA are only supplied as complete assemblies, individual components are not available.**

Please reference the above Model Numbers to insure the correct assembly is supplied

**THE DUAL CAM SWITCH HARVEST ASSIST ASSEMBLIES ARE NO LONGER AVAILABLE**

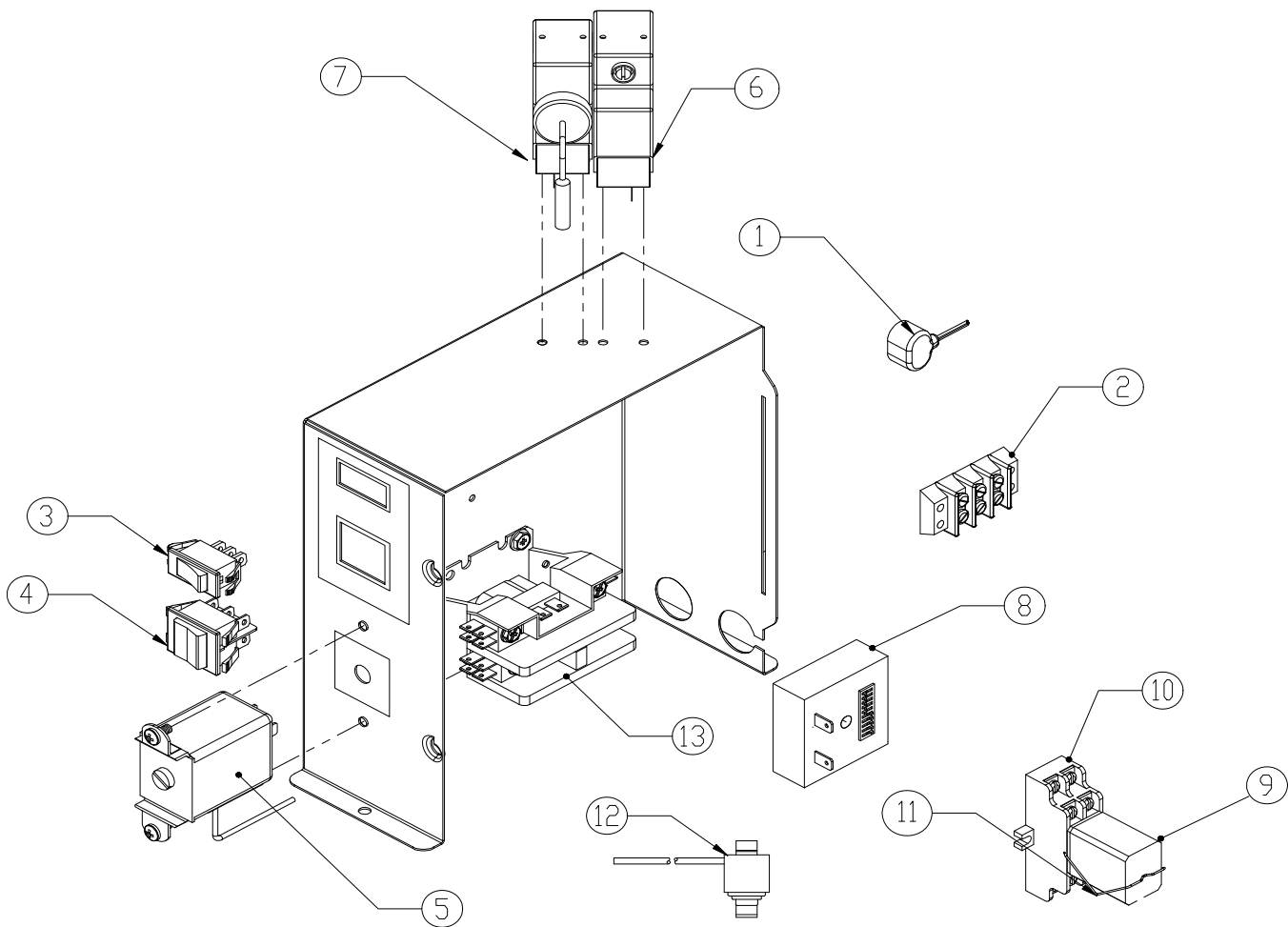


|                                |
|--------------------------------|
| 1051199-01 No Longer Available |
| 1051200-01 No Longer Available |
| 1051201-01 No Longer Available |
| 1051202-01 No Longer Available |
| 1051207-01 No Longer Available |



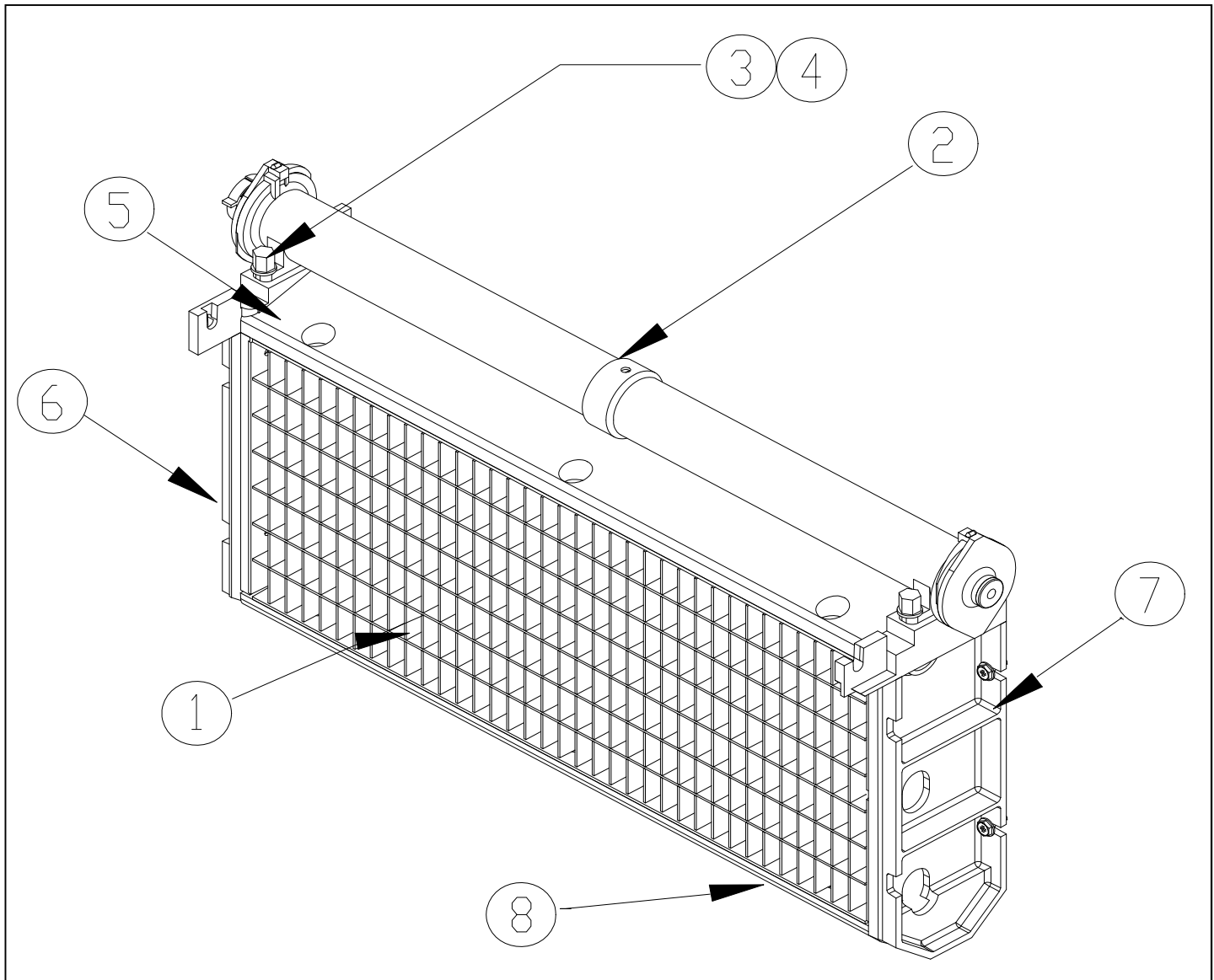
|                                 |
|---------------------------------|
| 2061962-01S No Longer Available |
| 2061962-05S No Longer Available |
| 2061962-07S No Longer Available |



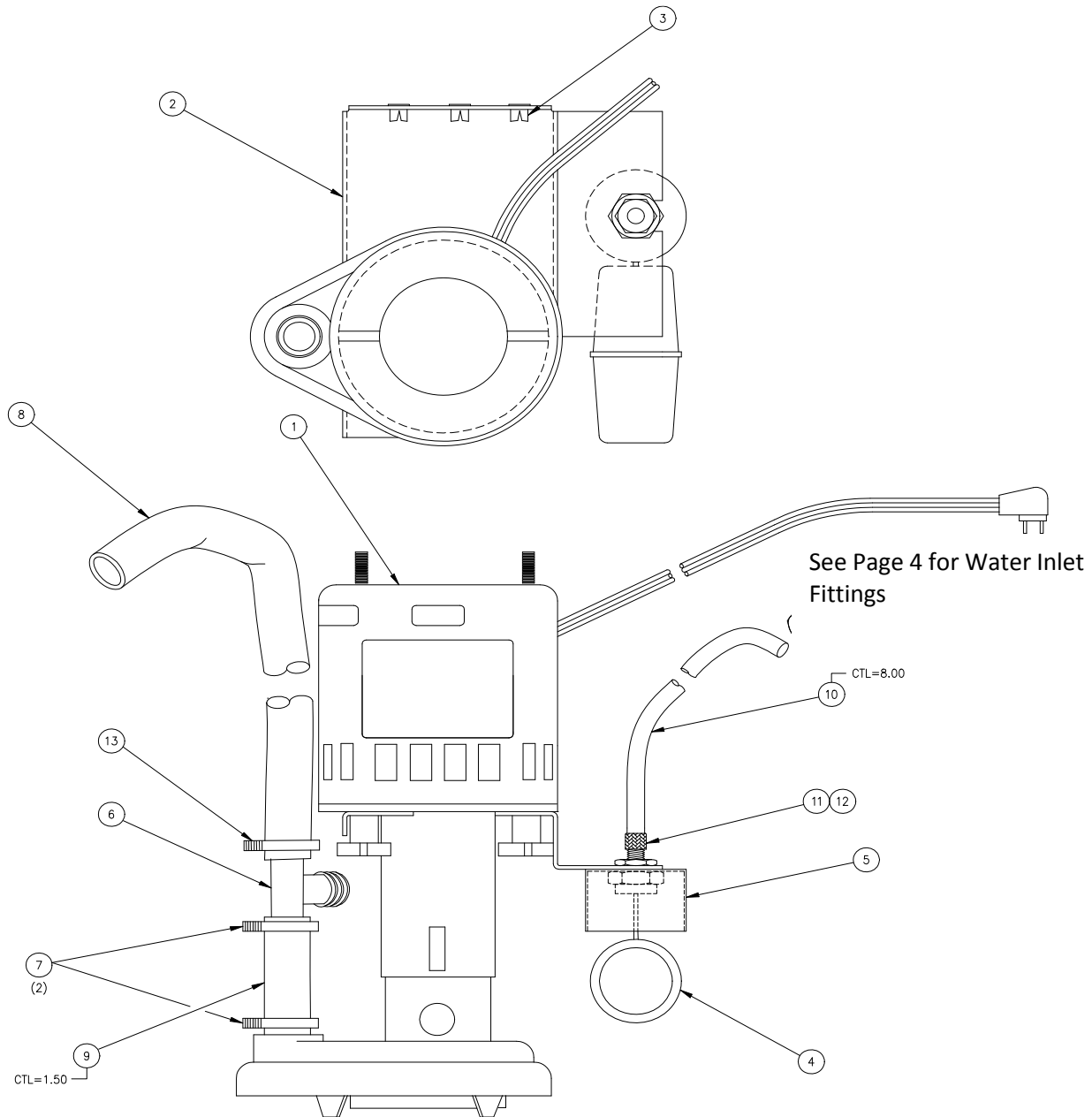


| Item | ICEU150      | ICEU220      | ICEU225      | ICEU226      | Description   |
|------|--------------|--------------|--------------|--------------|---|
| 1    | 9101218-01   | 9101218-01   | 9101218-01   | 9101218-01   | Water Pump Connector  |
| 2    | 9101037-01   | 9101037-01   | 9101037-01   | 9101037-01   | Terminal Block  |
| 3    | 1051208-01   | 1051208-01   | 1051208-01   | 1051208-01   | Switch-Purge (Prior to SN1407 is NLA)                       |
| 3    | 9101348-01   | 9101348-01   | 9101348-01   | 9101348-01   | Switch-Purge (From SN1407 is NLA)                           |
| 3    | 9101139-03   | 9101139-03   | 9101139-03   | 9101139-03   | Switch-Purge  |
| 4    | 9101349-01   | 9101349-01   | 9101349-01   | 9101349-01   | Ice/Off/Wash Switch ( NLA)                                  |
| 4    | 9101195-01   | 9101195-01   | 9101195-01   | 9101195-01   | Ice/Off/Wash Switch   |
| 5    | 9041097-01   | 9041097-01   | 9041097-01   | 9041097-01   | Thermostat-Bin Control                                      |
| 6    | 9041104-101A | 9041104-101A | 9041104-101A | 9041104-101A | Low Pressure Control* (Replaces 9041094-01)                 |
| 7    | 9041095-01   | 9041095-01   | 9041095-01   | 9041095-01   | High Pressure Control-When 9041095-01 is NLA-9041111-01     |
| 7    | 9041111-01   | 9041111-01   | 9041111-01   | 9041111-01   | High Pressure Control-From SN 10041280011405-9041091-01-Obs |
| 8    | 9101148-01   | 9101148-01   | 9101148-01   | 9101148-01   | Timing Module   |
| 9    | 9101084-01   | 9101084-01   | 9101084-02   | 9101084-02   | Relay   |
| 10   | 9101083-01   | 9101083-01   | 9101083-01   | 9101083-01   | Socket-Relay  |
| 11   | 9101083-02   | 9101083-02   | 9101083-02   | 9101083-02   | Hold Down Spring - Relay                                    |
| 12   | 9041087-03   | 9041087-03   | 9041087-03   | 9041087-03   | High Temperature Safety Control (Suction Line Mtg)          |
| 12   | 9041098-01   | 9041098-01   | 9041098-01   | 9041098-01   | High Temp Safety Control-From SN 10041280011405             |
| 13   | 9101002-07   | 9101002-07   | 9101002-06   | 9101002-06   | Contactor-From SN 10041280011405                            |

\*Note Includes Solvent and Adhesive



| Item | ICEU150     | ICEU220     | ICEU225     | ICEU226     | Description                          |
|------|-------------|-------------|-------------|-------------|--------------------------------------|
| 1    | 2051231-02S | 2051231-02S | 2051231-02S | 2051231-02S | Evaporator-Half Cube (Shown)         |
| 1    | 2051231-01S | 2051231-01S | 2051231-01S | 2051231-01S | Evaporator-Full Cube                 |
| 2    | 2041338-01  | 2041338-01  | 2041338-01  | 2041338-01  | Water Distribution Tube              |
| 3    | 9031122-01  | 9031122-01  | 9031122-01  | 9031122-01  | Thumbscrew                           |
| 4    | 9031004-19  | 9031004-19  | 9031004-19  | 9031004-19  | Rubber Washer                        |
| 5    | 9051135-05  | 9051135-05  | 9051135-05  | 9051135-05  | Spillway                             |
| 6    | 9051136-07  | 9051136-07  | 9051136-07  | 9051136-07  | Left Side Evaporator Mounting Panel  |
| 7    | 9051136-08  | 9051136-08  | 9051136-08  | 9051136-08  | Right Side Evaporator Mounting Panel |
| 8    | 9051135-04  | 9051135-04  | 9051135-04  | 9051135-04  | Water Return                         |



| Item | ICEU150     | ICEU220     | ICEU225     | ICEU226     | Description                                   |
|------|-------------|-------------|-------------|-------------|---|
| 1    | 9161076-01  | 9161076-01  | 9161076-02  | 9161076-02  | Water Pump                                    |
| 2    | 3012847-01  | 3012847-01  | 3012847-01  | 3012847-01  | Pump Bracket                                  |
| 3    | 9031141-01  | 9031141-01  | 9031141-01  | 9031141-01  | Plastic Nut                                   |
| 4    | 9131111-101 | 9131111-101 | 9131111-101 | 9131111-101 | Float <b>(9131111-101 Includes Fittings)*</b> |
| 5    | 9131026-02  | 9131026-02  | 9131026-02  | 9131026-02  | Cap Plug                                      |
| 6    | 9091024-01  | 9091024-01  | 9091024-01  | 9091024-01  | Plastic Barbed Tee 5/8                        |
| 7    | 9021010-04  | 9021010-04  | 9021010-04  | 9021010-04  | Plastic Clamp                                 |
| 8    | 9051280-05  | 9051280-05  | 9051280-05  | 9051280-05  | Hose PVC 9/16 (Formed)                        |
| 9    | 6021015-04  | 6021015-04  | 6021015-04  | 6021015-04  | Hose PVC 5/8 - 1.50 Inch Required             |
| 10   | 6021032-01  | 6021032-01  | 6021032-01  | 6021032-01  | Tube-Polyethylene - 8 Inches Required         |
| 11   | 9091080-01  | 9091080-01  | 9091080-01  | 9091080-01  | Barrel Fitting                                |
| 12   | 9091081-01  | 9091081-01  | 9091081-01  | 9091081-01  | Sleeve  |
| 13   | 9021010-03  | 9021010-03  | 9021010-03  | 9021010-03  | Plastic Clamp                                 |

\*Note: The 9131111-01 is NLA, Replaced by 9131111-101 which includes fittings.

# ICE Undercounter Service Parts

# Compressors

To insure the correct compressor and starting componets are ordered, reference the machine model number and or serial number and compressor manufacture model.

| Item | ICEU150      | ICEU220        | ICEU225     | ICEU226    | Description                        |
|------|--------------|----------------|-------------|------------|------------------------------------|
| 1    | See Below    | See Below      | See Page 11 | See Below  | Compressor (*Part Number Changed)  |
|      | ICEU150      | ICEU220        |             |            | Description                        |
|      | A6 W6        | A2, A3, W2, W3 | ← - - - - - | - - - - -  | Reference the MODEL NUMBER         |
|      | 9181115-12*  | 9181115-12*    | ← - - - - - | - - - - -  | Compressor (ASE24C3E-IAA-201) NLA* |
|      | 9181005-38   | 9181005-38     |             |            | Overload                           |
|      | 9181003-43   | 9181003-43     |             |            | Start Capacitor                    |
|      | 9181004-24   | 9181004-24     |             |            | Compressor Relay                   |
|      | ICEU150      |                |             |            | Description                        |
|      | A5 W5        |                | ← - - - - - | - - - - -  | Reference the MODEL NUMBER         |
|      | 9181148-11** |                | ← - - - - - | - - - - -  | Compressor (ASE14C4E-IAA) NLA**    |
|      | 9181005-45   |                |             |            | Overload                           |
|      | 9181003-53   |                |             |            | Start Capacitor                    |
|      | 9181004-30   |                |             |            | Compressor Relay                   |
|      | ICEU150      |                |             |            | Description                        |
|      | A4 W4        |                | ← - - - - - | - - - - -  | Reference the MODEL NUMBER         |
|      | 9181115-11** |                | ← - - - - - | - - - - -  | Compressor (ASB14CE-IAA) NLA**     |
|      | 9181005-42   |                |             |            | Overload                           |
|      | 9181003-43   |                |             |            | Start Capacitor                    |
|      | 9181004-24   |                |             |            | Compressor Relay                   |
|      |              |                |             | ICEU226    | Description                        |
|      |              |                |             | 9181115-14 | Compressor                         |
|      |              |                |             | 9181005-41 | Overload                           |
|      |              |                |             | 9181003-41 | Start Capacitor                    |
|      |              |                |             | 9181004-28 | Compressor Relay                   |

\*NLA =No Longer Available when existing inventory is depleted. Replaced by 1051233-01 Compressor Kit.

\*\*NLA=No Longer Available, Replaced by 1051233-01 Kit, Includes Compressor, Tubing, Starting Components

The Compressor Part Number has changed for the ICEU150 and ICEU220 Modesl listed below

| ICEU150    | ICEU220    | Description   |
|------------|------------|---|
| A4, A5, A6 | A2,A3      | ← - - - - - Reference the MODEL NUMBER                                  |
| W4, W5, W6 | W2,W3      | ← - - - - - Reference the MODEL NUMBER                                  |
| 9181173-01 | 9181173-01 | Overload  |
| 9181175-01 | 9181175-01 | Start Capacitor   |
| 9181174-01 | 9181174-01 | Compressor Relay  |
| 9181171-11 | 9181171-11 | Compressor (AE444OZ-AA1A) included in the 1051233-01 Kit                |
| 1051233-01 | 1051233-01 | Compressor Kit, Includes Compressor, Start Components, Drier and Tubing |

The 9151115-12\*, 9181148-11 and 9181115-11 compressor is No Longer Available, it has been replace by the 1051233-01 kit.

The Compressor Part Number has changed for the ICEU150 and ICEU220 Models below

| ICEU150    | ICEU220    | Description                            |
|------------|------------|--|
| A7, W7     | A4, W4     | ← - - - - - Reference the MODEL NUMBER |
| 9181171-11 | 9181171-11 | Compressor Kit (AE444OZ-AA1A)          |
| 9181173-01 | 9181173-01 | Overload                               |
| 9181175-01 | 9181175-01 | Start Capacitor                        |
| 9181174-01 | 9181174-01 | Compressor Relay                       |

To insure the correct compressor and starting componets are ordered, reference the machine model number and or serial number and compressor manufacture model.

| ICEU225     | Description                                |
|-------------|--|
| 9181115-13* | Compressor Kit (Copeland ASE24C3E-IAZ-301) |
| 9181005-40  | Overload                                   |
| 9181003-29  | Start Capacitor                            |
| 9181004-20  | Compressor Relay                           |

\*The 9151115-13 compressor is **No Longer Available**, it has been replace by the 1051232-01 kit.

The Compressor Part Number has changed for the ICEU225 Serial Number Specific  
 From serial number 17121280010394 to and including 18011280012197

|  |              |  |
|--|--------------|--|
|  | 9181115-14** | Compressor Kit (Copeland ASE24C3E-IAV-301) |
|  | 9181005-41   | Overload                                   |
|  | 9181003-41   | Start Capacitor                            |
|  | 9181004-28   | Compressor Relay                           |

\*\*The 9181115-14 compressor should be replaced by the 1051232-01 kit.

The Compressor Part Number has changed for the ICEU225 and are Model Number Specific

|  |            |                               |
|--|------------|-------------------------------|
|  | ICEU225 A4 | Model Number                  |
|  | ICEU225 W4 | Model Number                  |
|  | 9181192-11 | Compressor Kit (AE444OZ-FZ1A) |
|  | 9181173-03 | Overload                      |
|  | 9181003-57 | Start Capacitor               |
|  | 9181174-03 | Compressor Relay              |

The Compressor Part Number has changed for the ICEU225 Models listed below

|  |  |   |
|--|--|---|
|  | ICEU225*A2, ICEU225*A3 and ICEU225*W2 , ICEU225*W3 |   |
|  | 1051232-01   | Compressor Kit (AE444OZ-FZ1A)                           |
|  | 9181173-03   | Overload  |
|  | 9181003-57   | Start Capacitor   |
|  | 9181174-03   | Compressor Relay  |
|  | 9181192-11   | Compressor Part Number in 1051232-01 Kit (AE444OZ-FZ1A) |

# ICE Undercounter Service Parts

# Drain Tubing

| Item | ICEU150    | ICEU220    | ICEU225    | ICEU226    | Description                                 |
|------|------------|------------|------------|------------|---|
| 1    | 9051754-42 | 9051754-42 | 9051754-42 | 9051754-42 | Water Pump to Purge Valve Inlet (42 Inches) |
| 2    | 3051223-03 | 3051223-03 | 3051223-03 | 3051223-03 | Drain Fitting to TEE (3 Inches)             |
| 3    | 3051222-18 | 3051222-18 | 3051222-18 | 3051222-18 | Bin Drain to TEE (18 Inches)                |
| 4    | 9051280-08 | 9051280-08 | 9051280-08 | 9051280-08 | Purge Drain Tube                            |
|      |            |            |            |            |   |
|      |            |            |            |            |   |

