

SUBJECT: Wiring Update - Hot Gas Valve

Number: SB15-12
Product: Cubers
Date Issued: Nov. 19, 2015
From: Technical Service

This bulletin provides information on updated wiring which has been implemented in the following models outlined in the chart below.

Note: Wiring update resolves the potential for intermittent freeze ups relating to the probe assembly remaining in the extended or out position at the end of the defrost cycle. New revisions incorporate changes so the Hot Gas Valve remains energized insuring the full retraction of the Harvest Assist Probe throughout the defrost cycle.

Attached wiring diagrams include instructions for making use of this wire update on prior models when applicable.

IOM Simple Tech Tip- How to know if a particular unit already incorporates the wiring update:

- 1) While the unit is in **freeze mode**, push the cam switch in, if this energizes the Hot Gas Valve, the wiring update has been done. If the Hot Gas Valve DOES NOT open, the wiring update has not been done.
- 2) If you are not sure, please see attached wiring diagrams and/or contact Technical Service.

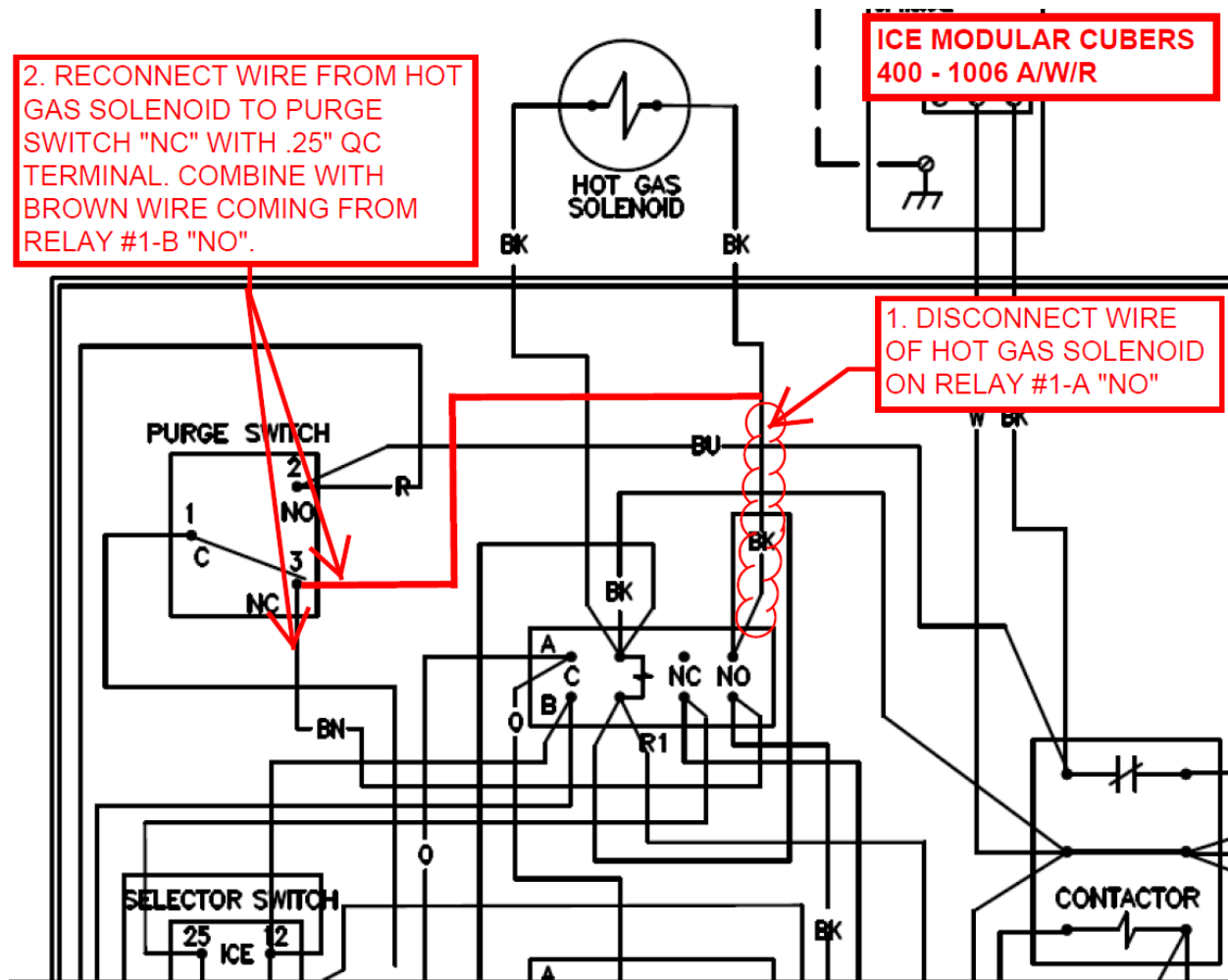
As always, if you have questions or requests for wiring diagrams you can submit them to Ice-O-Matic Technical Service at Tech.Service@Iceomatic.com.

Or call us at 800-423-3367 selecting option 2 for Ice-O-Matic Partners and then select menu 4 to speak with a Technical Representative.

ICE0400*A6	ICE0605*W6	ICE0606*TN7	ICE0520*AN7	ICE0806*W6	ICE1006*WN7
ICE0400*T7	ICE0606*A6	MHC320/706M5	ICE0520*T2	ICE0855GA3	MHC500/1109M8
MHC230/506M6	ICE0606*W6	ICE0605*R7	MHC235/517M7	ICE0856GA3	ICE1006*R8
ICE0500*A6	ICE0606*WN6	ICE0606*R7	ICE0805*A5	ICE1006*A8	ICE1006*RN8
ICE0500*T7	ICE0606*ABR1	ICE0726*R2	ICE0806*A6	ICE1006FABR3	MHC500/1109MR7
MHC280/625M6	ICE0606*T7	ICE0926*R2	MHC435/958M5	ICE1006*AN8	ICE1007*A7
ICE0605*A6	ICE0606*TBR1	ICE0520*A7	ICE0806*A7	ICE1006*W7	ICE1506HT1

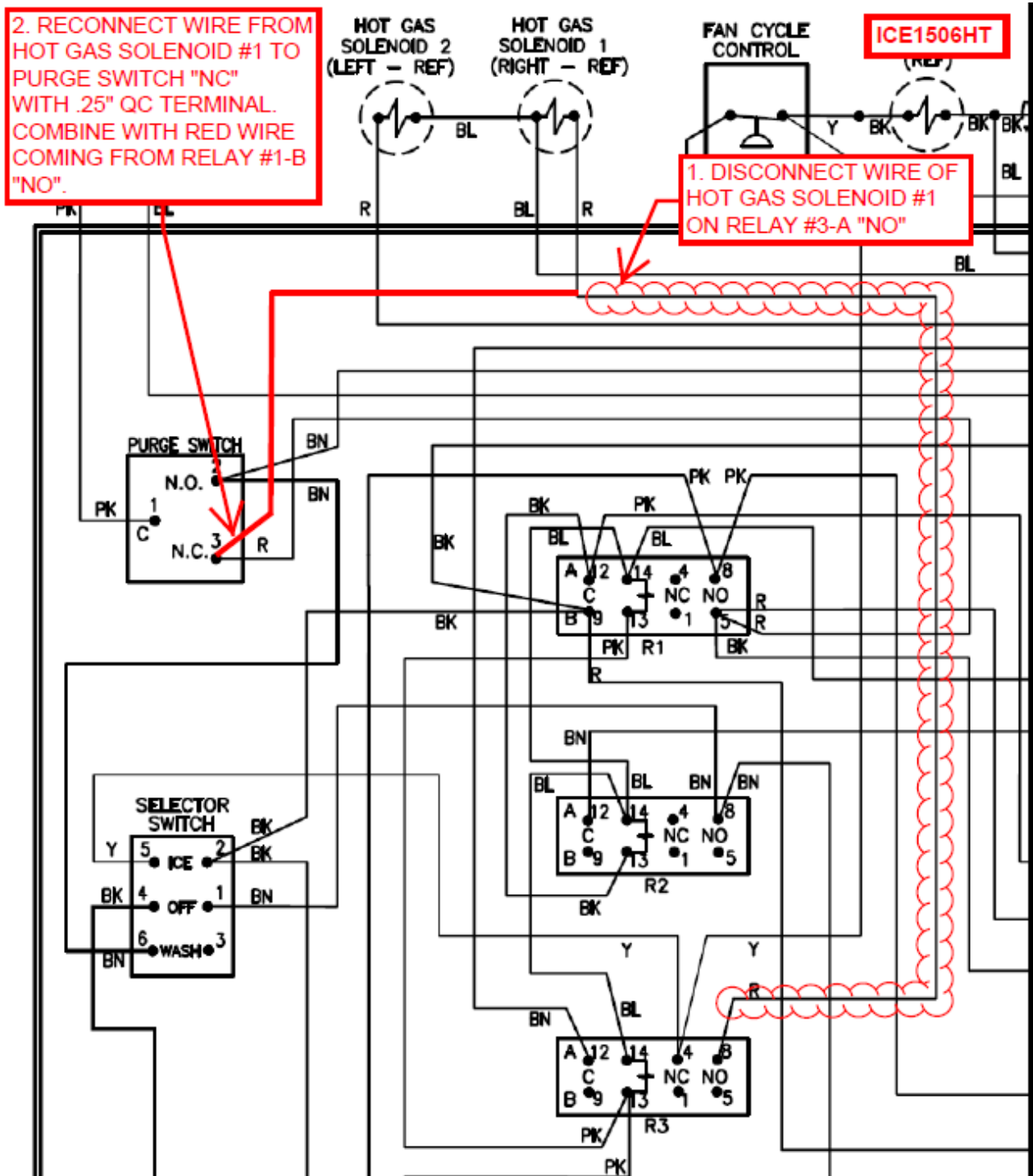
If you have questions, please contact the Ice-O-Matic Service Department at 1-800-423-3367

Diagram 1 - for units from the ICE0400 to the ICE1007



If you have questions, please contact the Ice-O-Matic Service Department at 1-800-423-3367

Diagram 2 – ICE1506HT



If you have questions, please contact the Ice-O-Matic Service Department at 1-800-423-3367