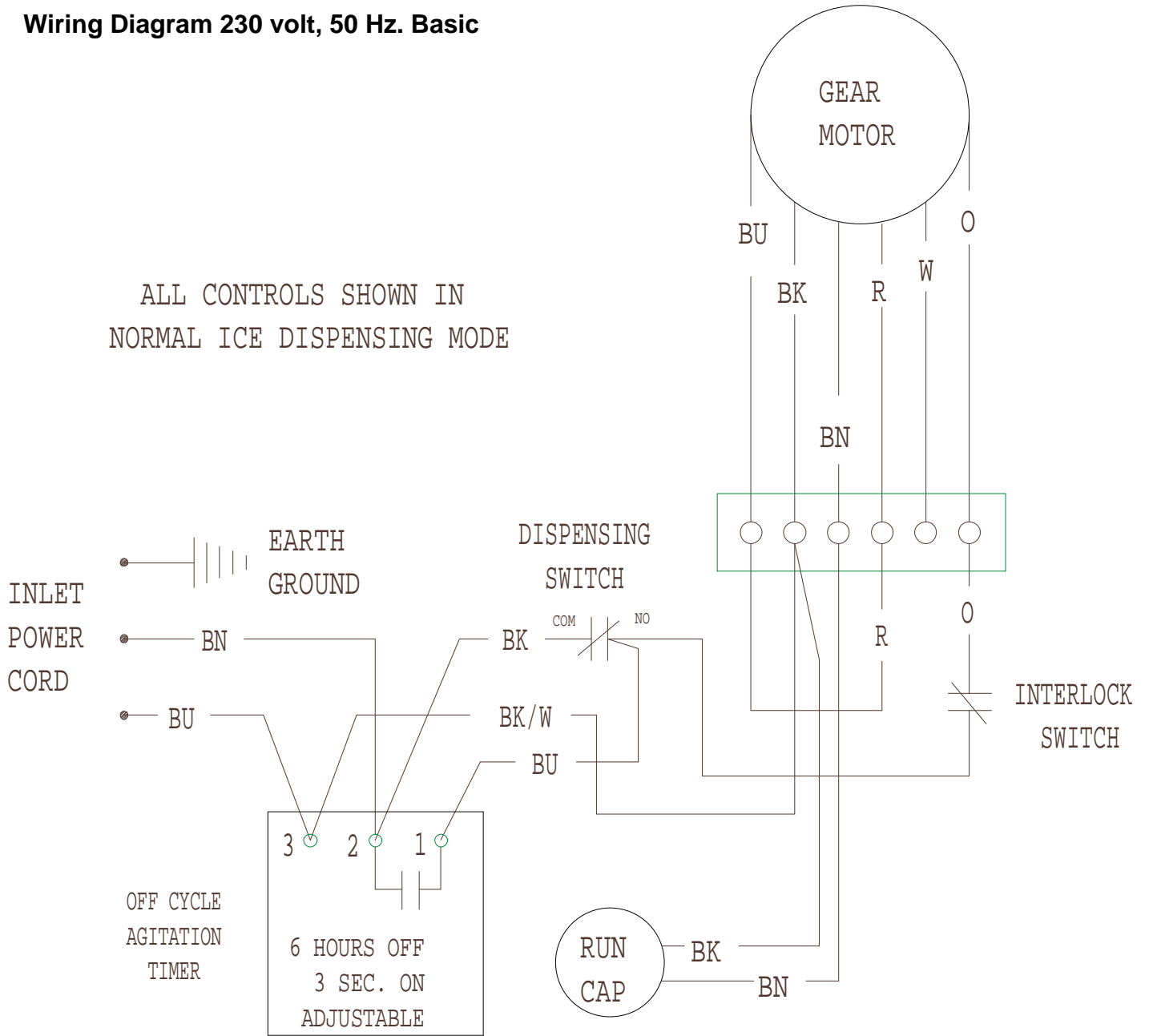


Wiring Diagram 230 volt, 50 Hz. Basic

ALL CONTROLS SHOWN IN
NORMAL ICE DISPENSING MODE



USE COPPER CONDUCTORS ONLY