

Ice-O-Matic®

Ice. Pure and Simple™

SERVICE PARTS MANUAL PEARL ICE / WATER DISPENSER MODEL- GEMD270A **MODEL NO LONGER AVAILABLE**



14-1034

Date 12-5-2022

**FOR ALL PARTS MARKED AS NO LONGER AVAILABLE (NLA) , PLEASE LOOK
FOR REPLACEMENT PART NUMBER IN THE GEMD270A2 PARTS BREAKDOWN.**

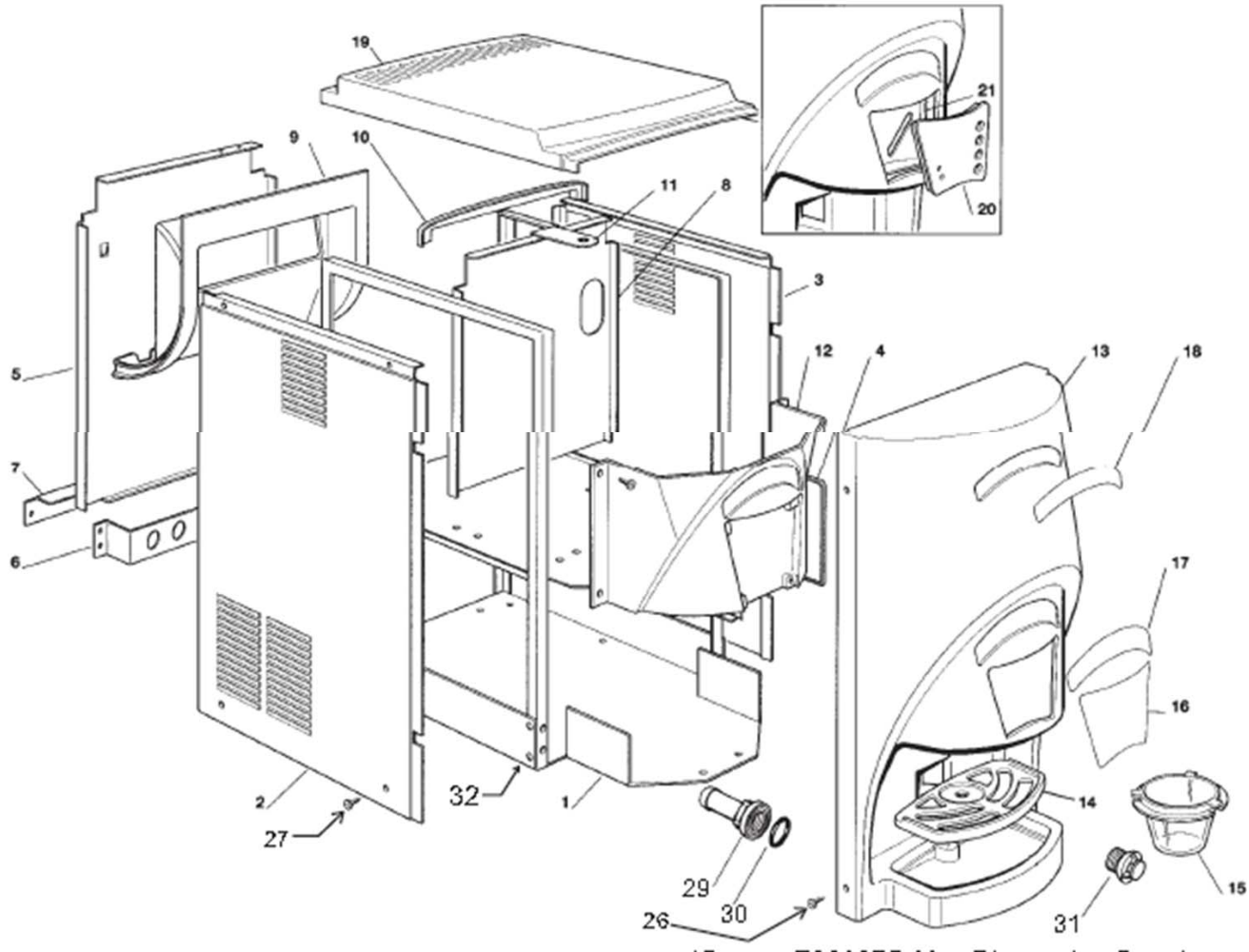
**FOR ALL PARTS MARKED AS NLA
PLEASE LOOK FOR REPLACEMENT
PART # IN MODEL GEMD270A2
PARTS BREAKDOWN.**

This is a list of Service Parts for the GEMD270A Pearl Ice/Water Dispenser.

Always have the Model Number and Serial Number available when identifying a Part Number as changes do occur and the change may reference the Model Number and Serial Number

Cabinet	Page 2
Condensing System	Page 3
Water and Dispensing	Page 4 - Page 5
Auger Drive and Evaporator	Page 6 - Page 7
Control System	Page 8
Wiring Diagram - To June 2010	Page 9
Wiring Diagram - June 2010 and Later	Page 10
Wiring Diagram - From Serial Number - 1311128010584	Page 11

Cabinet

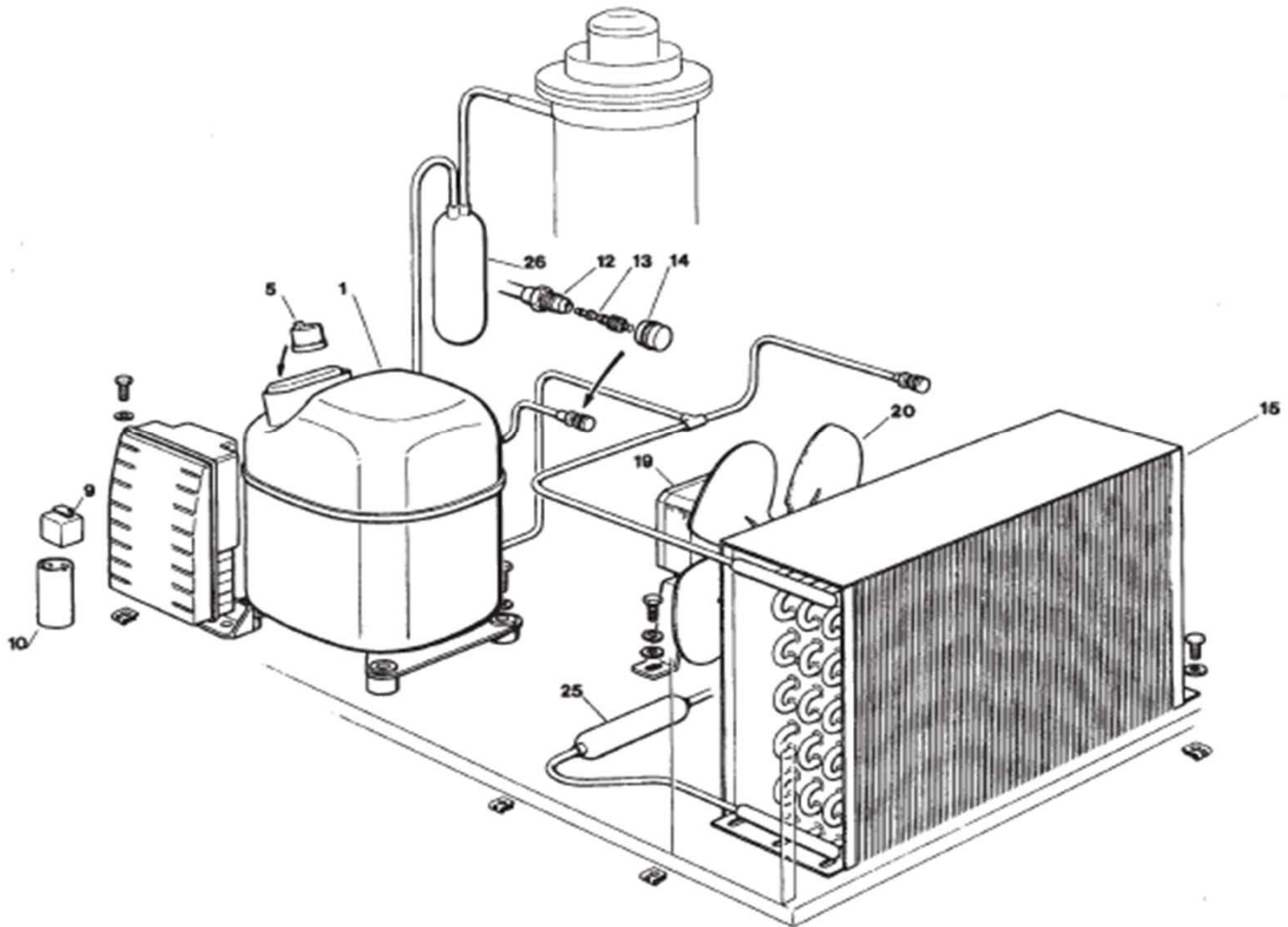


Item No.	Part Number	Description
1	1011357-136	Foam Pad
2	1011357-112	Left Side Panel
3	1011357-113	Right Side Panel
4	1011357-114	Right PCB Service Panel NLA
5	1011357-108	Rear Panel
6	1011357-107	Metal Bracket for Fitting NLA
7	1011357-109	Cover for Fitting Bracket
8	1011357-106	Metal Divider
9	1011357-93	Condenser Shroud
10	1011357-96	Plastic Bracket
11	1011357-110	Ice Spout Bracket
12	1011357-95	Dispense Board Frame NLA
13	1011357-162	Front Panel- No Labels
14	1011357-137	Grill, Sink
15	1011357-97	Dispensing Spout NLA

Item No.	Part Number	Description
16	1011357-138	Label - Ice & Water Selection
17	1011357-83	Label - Ice & Water
18	1011357-139	Ice-O-Matic Label
19	1011357-133	Top Panel
20	1011357-140	PCB Cover
21	1011357-101	PCB Housing
26	1011357-25	Screw
	1011357-78	Cap for Screw
	1011357-79	Washer for Screw
27	1011357-26	Side Panel Screw
28	1011357-27	Back Panel Screw
29	1011357-87	Drain Fitting NLA
30	1011337-34	O-Ring NLA
31	1011337-32	Drain Top
32	1011357-136	Foam Pad Under Base

*Units Manufactured Prior to Serial Number 0508 Will Require The Front and Top Panel Kit PN 1011357-173

Condensing System

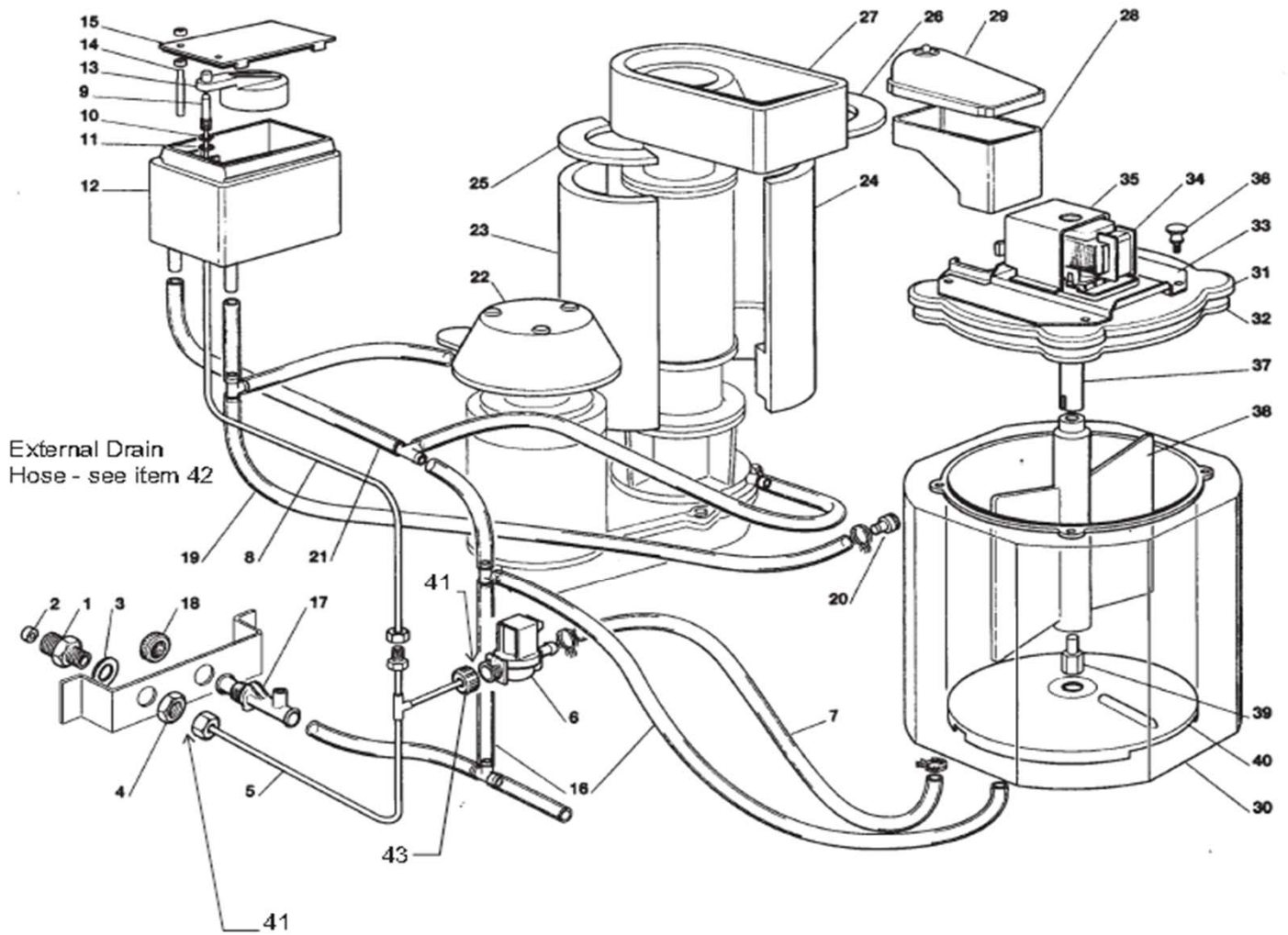


Item Number	Part Number	Description
1	1011357-105	Compressor Assembly*Use a Tecumseh AE4450YAA- NO LONGER AVAILABLE
1	1011357-164	Compressor Assembly- From Serial Number 13111280010584**
5	1011357-142	Protector * No Longer Available
5	1011357-165	Protector- From Serial Number 13111280010584**
9	1011357-33	Start Relay* No Longer Available
9	1011357-166	Start Relay-From Serial Number 13111280010584**
10	1011357-35	Start Capacitor* No Longer Available NLA
10	1011357-167	Start Capacitor-From Serial Number 13111280010584**
12	1011357-67	Valve Body NLA
13	1011357-103	Valve Core NLA
14	1011357-65	Valve Cap NLA
15	1011357-44	Air Cooled Condenser NLA
19	1011357-42	Fan Motor NLA
20	1011357-43	Fan Blade NLA
21	1011357-169	Fan Motor Bracket
25	1011357-49	Drier NLA
26	1011357-121	Suction Line/Accumulator/Cap Tube *
26	1011357-170	Suction Line/Accumulator/Cap Tube - From S/N 13111280010584**

*Red=Units Manufactured Prior to and including Serial Number 13111280010583

**Green=Units Manufactured from Serial Number 13111280010584

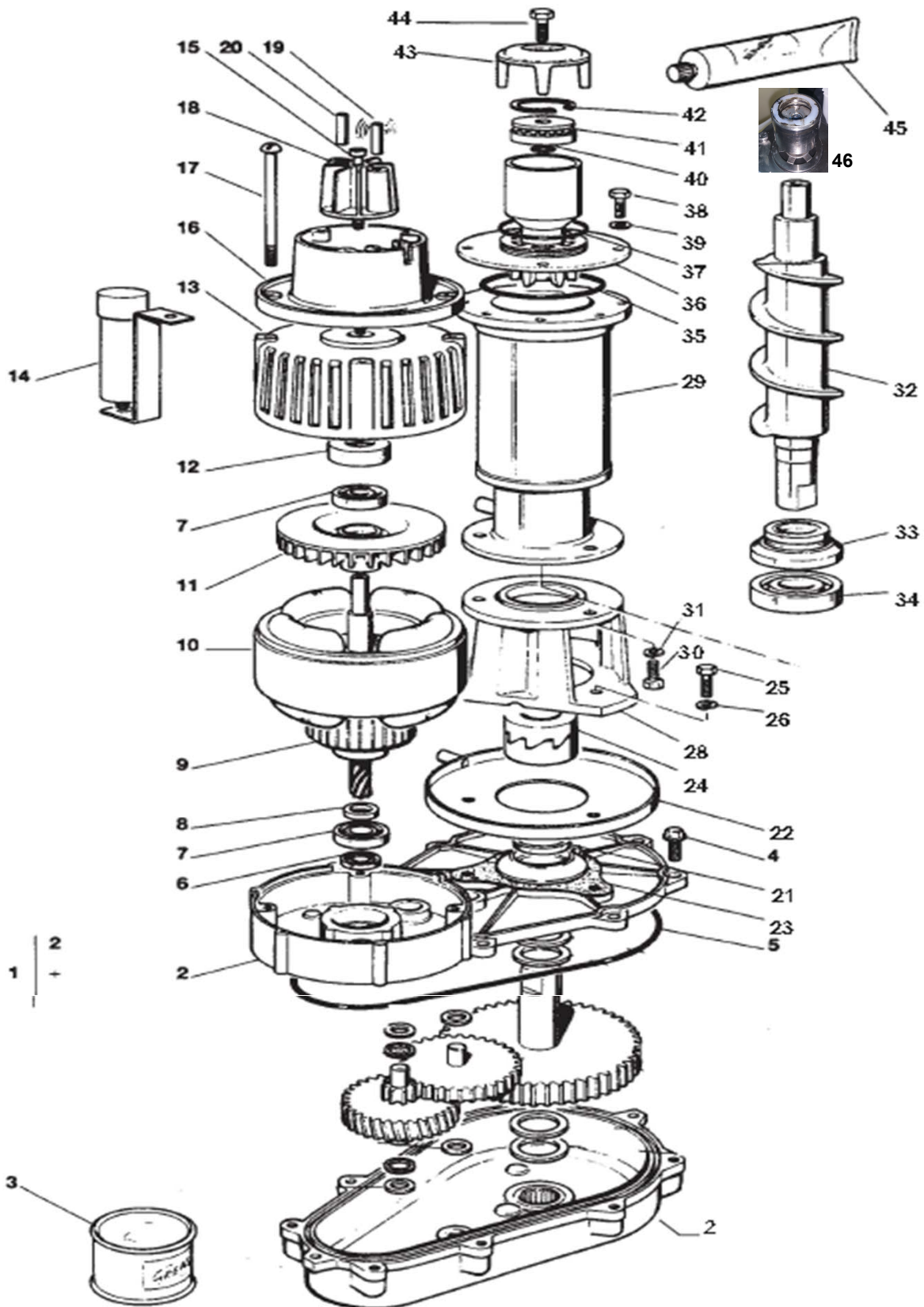
Water and Dispensing



Water and Dispensing

Item No.	Part Number	Description	Item No.	Part Number	Description
1	1011357-116	Water Inlet Fitting	25	1011357-73	Insulation NLA
2	1011357-63	Strainer	26	1011357-73	Insulation NLA
3	1011357-13	Fiber Washer	27	1011357-72	Spout Insulation
4	1011357-14	Nut	28	1011357-98	Ice Spout NLA
5	No PN	Copper Water Inlet Tube NLA	29	1011357-145	Ice Spout Cover NLA
6	1011357-143	Water Inlet Valve	30	1011357-131	Storage Bin
7	1011357-171	Water Hose, 4 required	31	1011357-81	Insulation, Storage Bin Cover
8	No PN	Copper Water Inlet Tube NLA	32	1011357-92	Cover, Storage Bin
9	1011357-119	Nozzle	33	1011357-130	Bracket, Dispensing Motor NLA
10	1011357-24	Clip Ring	34	1011357-11	Dispensing Motor
11	1011357-61	O-Ring NLA	35	1011357-111	Cover, Dispensing Motor
12	1011357-124	Water Reservoir Assembly	36	1011357-04	Screw
13	1011357-91	Float Valve Assembly NLA	37	1011357-03	Shaft
14	1011357-115	Water Level Metal Pin NLA	38	1011357-129	Ice Agitator 1011357-129
15	1011357-89	Water Reservoir Cover NLA	39	1011357-02	Pin, Vane
16	1011357-30	Plastic Tube	40	1011357-128	Bin Bottom 1011357-147
17	1011337-38	Water Drain Fitting NLA	41	1011357-57	Rubber Washer
18	1011357-90	Plastic Ring Nut	42	1011357-148	External Drain Hose
19	1011357-144	Plastic Tube	43	1011357-149	Nut
20	1011357-65	Valve Cap NLA	<p>Item 38 and 40 need to be ordered as a set.</p> <p>ALL PARTS NLA, LOOK FOR REPLACEMENT IN GEMD270A2 PARTS BREAKDOWN.</p>		
	1011357-67	Valve Body NLA			
21	1011357-31	Plastic Tube			
22	1011357-94	Gear Motor Plastic Cover NLA			
23	1011357-09	Insulation			
24	1011357-09	Insulation			

Auger Drive and Evaporator



Auger Drive and Evaporator

Item No.	Part Number	Description	Item No.	Part Number	Description
1	1011357-126	Gear Reducer Assembly* NLA	26	1011357-20	Washer
2	1011357-01	Gear Case Assembly** NLA	27	No Number	Freezer Assembly*** NLA
3	1011357-07	Gear Case Lubricant (1 Kg) NLA	28	1011357-118	Aluminum Adapter NLA
4	1011357-05	Screw NLA	29	1011357-151	Evaporator**** NLA
5	1011357-150	O Ring NLA	30	1011357-18	Screw NLA
6	1011357-58	Grease Seal NLA	31	1011357-20	Washer
7	1011357-85	Bearing NLA	32	1011357-76	Auger NLA
8	1011357-23	Thrust Washer NLA	33	1011448-95	Water Seal NLA
9	1011357-125	Rotor Assembly NLA	34	1011357-153	Lower Bearing NLA
10	1011357-37	Stator Assembly NLA	35	1011357-55	O Ring NLA
11	1011357-117	Fan Blade NLA	36	1011357-154	Ice Breaker(Includes 36,37, 41,42)NLA
12	1011357-60	Rubber Insert NLA	37	1011357-54	O Ring NLA
13	1011357-127	Drive Motor Cover NLA	38	1011357-15	Screw NLA
14	1011357-172	Capacitor NLA	39	1011357-20	Washer
15	1011357-06	Screw NLA	40	1011357-53	O Ring NLA
16	1011357-70	Plastic Housing NLA	41	1011357-104	Top Bearing*****
17	1011357-19	Screw NLA	42	1011357-69	Clip Ring NLA
18-19-20	1011357-123	Magneto Holder Assembly NLA	43	1011357-74	Ice Sweep NLA
21	1011357-51	Grease Seal NLA	44	1011357-16	Screw NLA
22	1011357-168	Drip Tray	45	1011357-12	Water Proof Grease NLA
23	1011357-56	Gasket NLA	46	1011357-185	Nylon Ring, upper bearing NLA
24	1011357-08	Coupling NLA			
25	1011357-17	Screw			

***NOT SOLD As An Assembly

****Evaporator is NOT FOAMED, see PAGE 5, ITEM 24

*Gear Reducer Assembly INCLUDES Motor,
DOES NOT Include Evaporator Components

for the Insulation Wrap

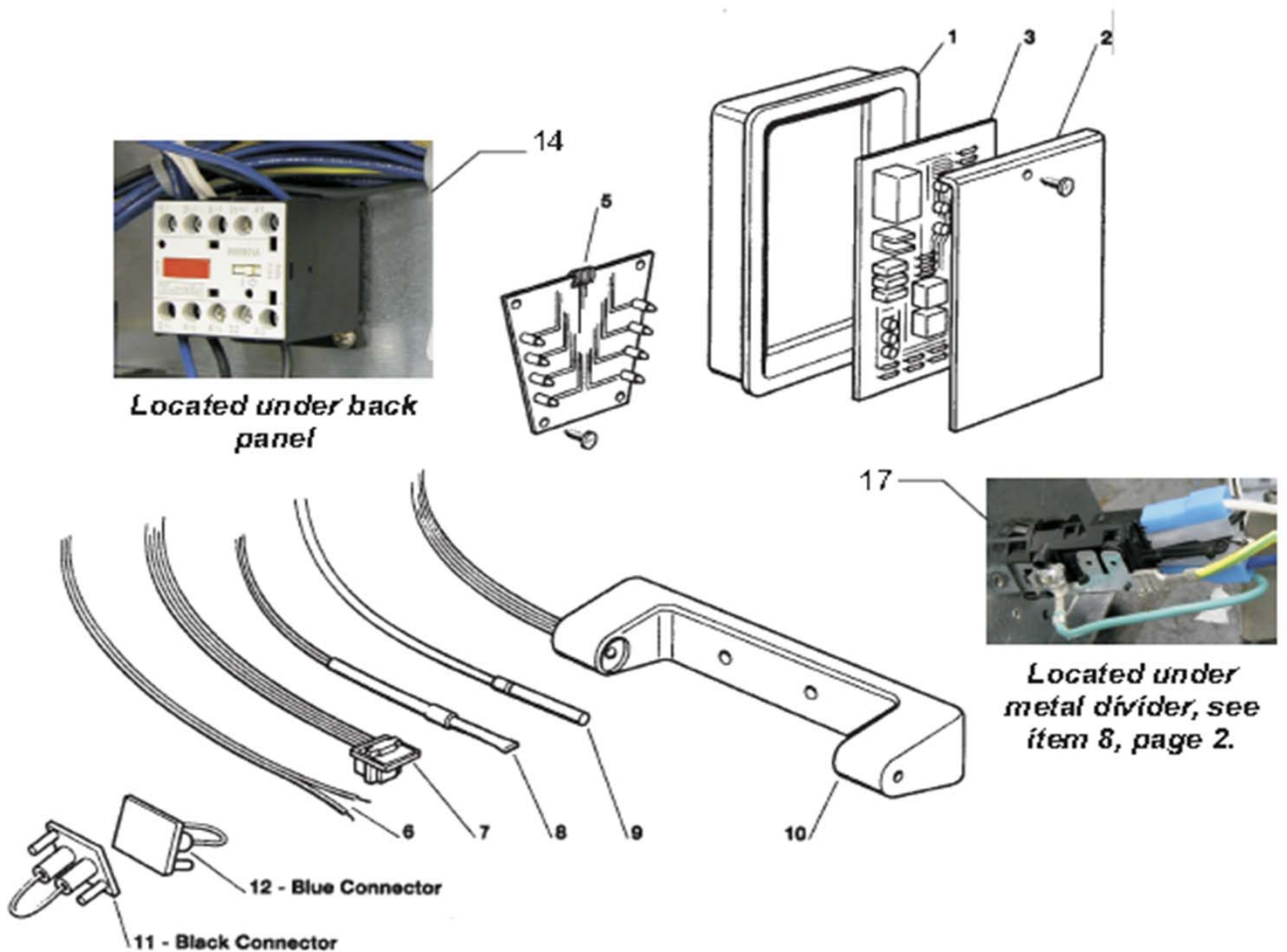
**Gear Case Assembly INCLUDES the EXTERNAL
SHELL ONLY

*****Top Bearing 1011357-182 is NLA

ALL PARTS NLA, LOOK FOR REPLACEMENT IN GEMD270A2

PARTS BREAKDOWN.

Control System



Item No.	Part Number	Description	Item No.	Part Number	Description
1	1011357-155	Box Only	9	1011357-40	Evaporator Sensor*
2	1011357-156	Cover	9	1011357-178	Evaporator Sensor** NLA
3	1011357-48	PC Board* (8 Pin Plug)	10	1011357-71	Ice Level Control
3	1011357-174	PC Board Kit** NLA	11	1011357-47	Dispensing Sensor (Black) NLA
3	1011357-175	PC Board** (7 Pin Plug) NLA	12	1011357-46	Dispensing Sensor (Blue) NLA
5	1011357-99	Dispensing Selector	13	1011357-159	Harness Dispensing Sensor NLA
6	1011357-41	Water Sensing Wire*	14	1011357-50	Contactors* NLA
6	1011357-176	Water Sensing Wire** NLA	15	1011357-160	Dispensing LED Board
7	1011357-39	Hall Effect Sensor NLA	16	1011357-161	Dispensing Switch Panel
8	1011357-157	Condenser Sensor*	17	1011357-179	Cable Holder
8	1011357-177	Condenser Sensor** NLA	18	1011357-183	Connector Adapter**

*Red=Units Manufactured Prior to "LATE 2014"

Note: If the PC Board or any Components are NLA then use the "Retrofit Kit"

**Green=Units Manufactured from "LATE 2014" - ALL PARTS NLA, LOOK FOR REPLACEMENT IN GEMD270A2 PARTS BREAKDOWN.

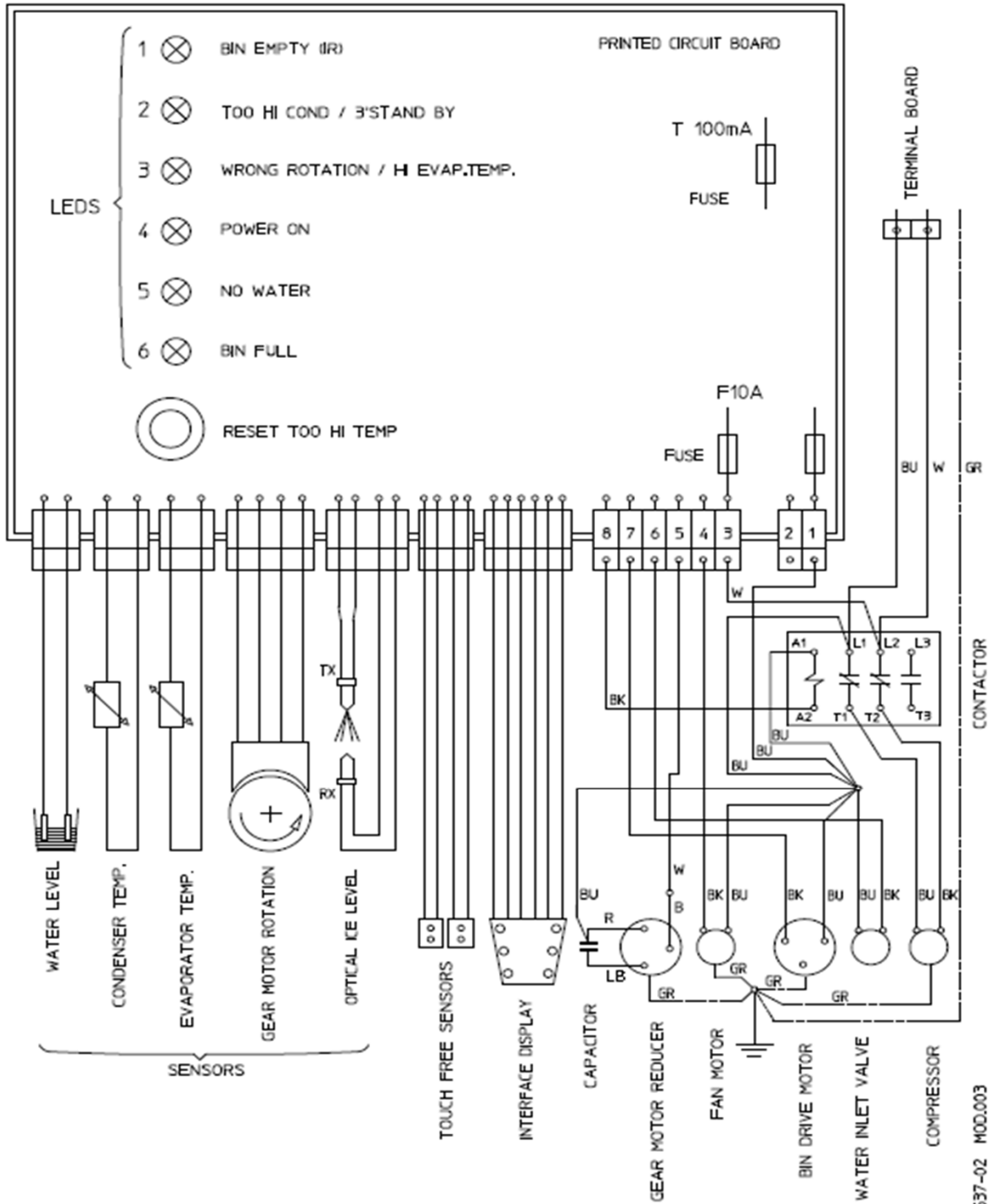
Note: Item 1011357-174 PC Board "Retrofit Kit" includes:

1011357-175	PC Board NLA
1011357-178	Evaporator Sensor NLA
1011357-177	Condenser Sensor NLA
1011357-176	Water Sensing Wire NLA
1011357-183	Connector Adapter

Wiring Diagram to June 2010

WIRING DIAGRAM (MACHINE OPERATING)

BU - BLUE
 W - WHITE
 BK - BLACK
 GR - GREEN
 R - RED
 B - BROWN
 LB - Light Blue

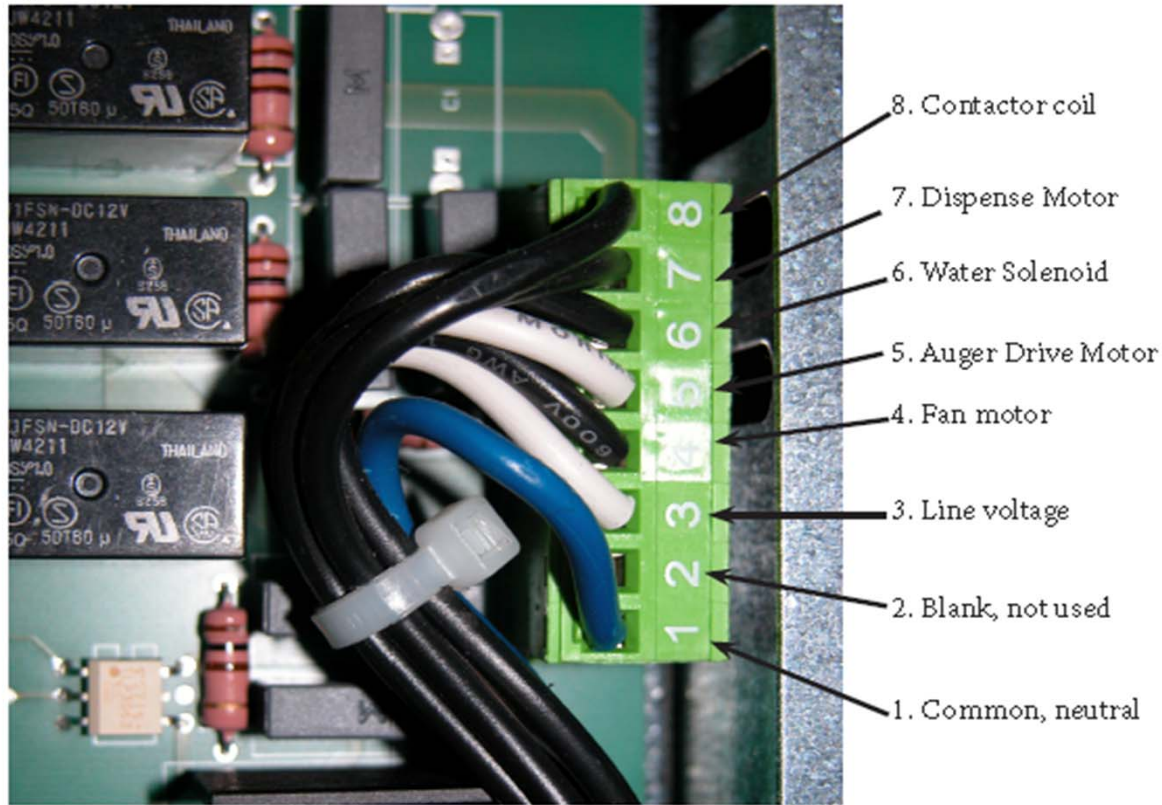


050537-02 MOD.003

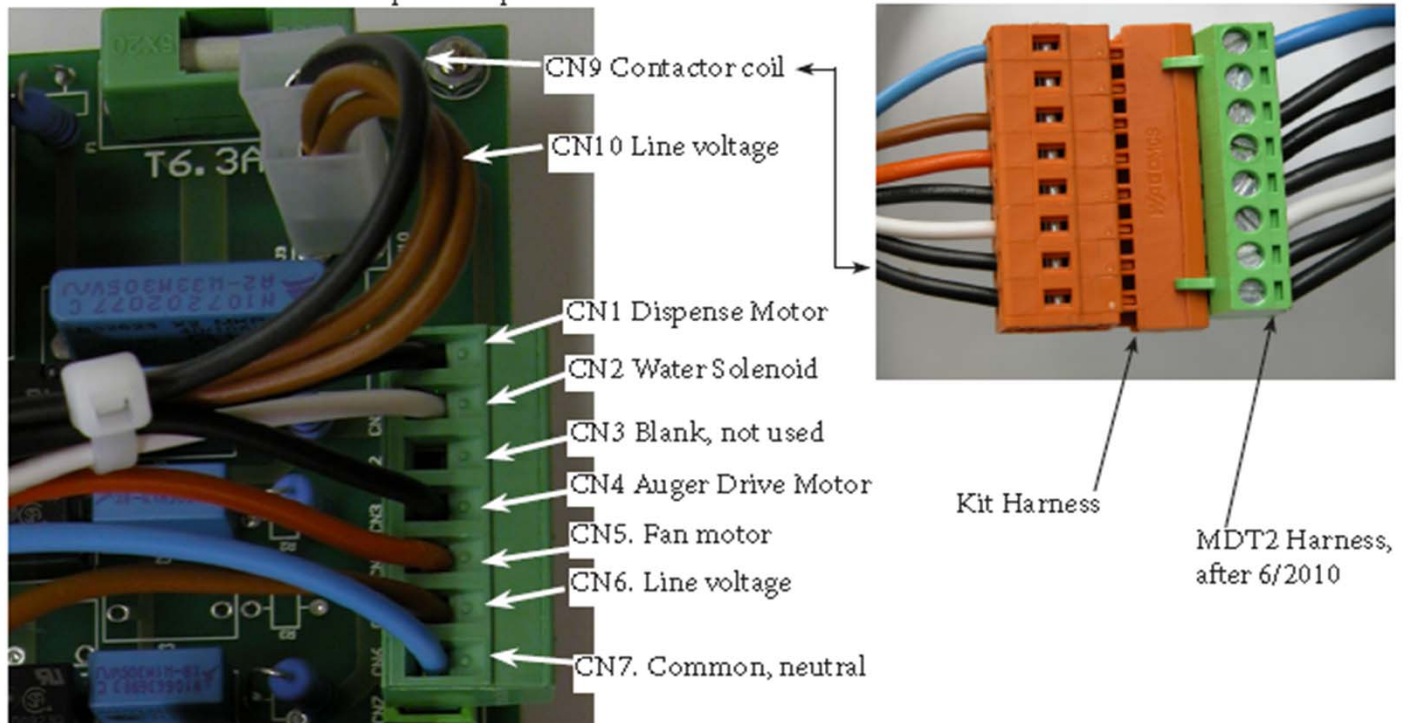
Wiring Reference

Position of wiring is common, color of wires is not.

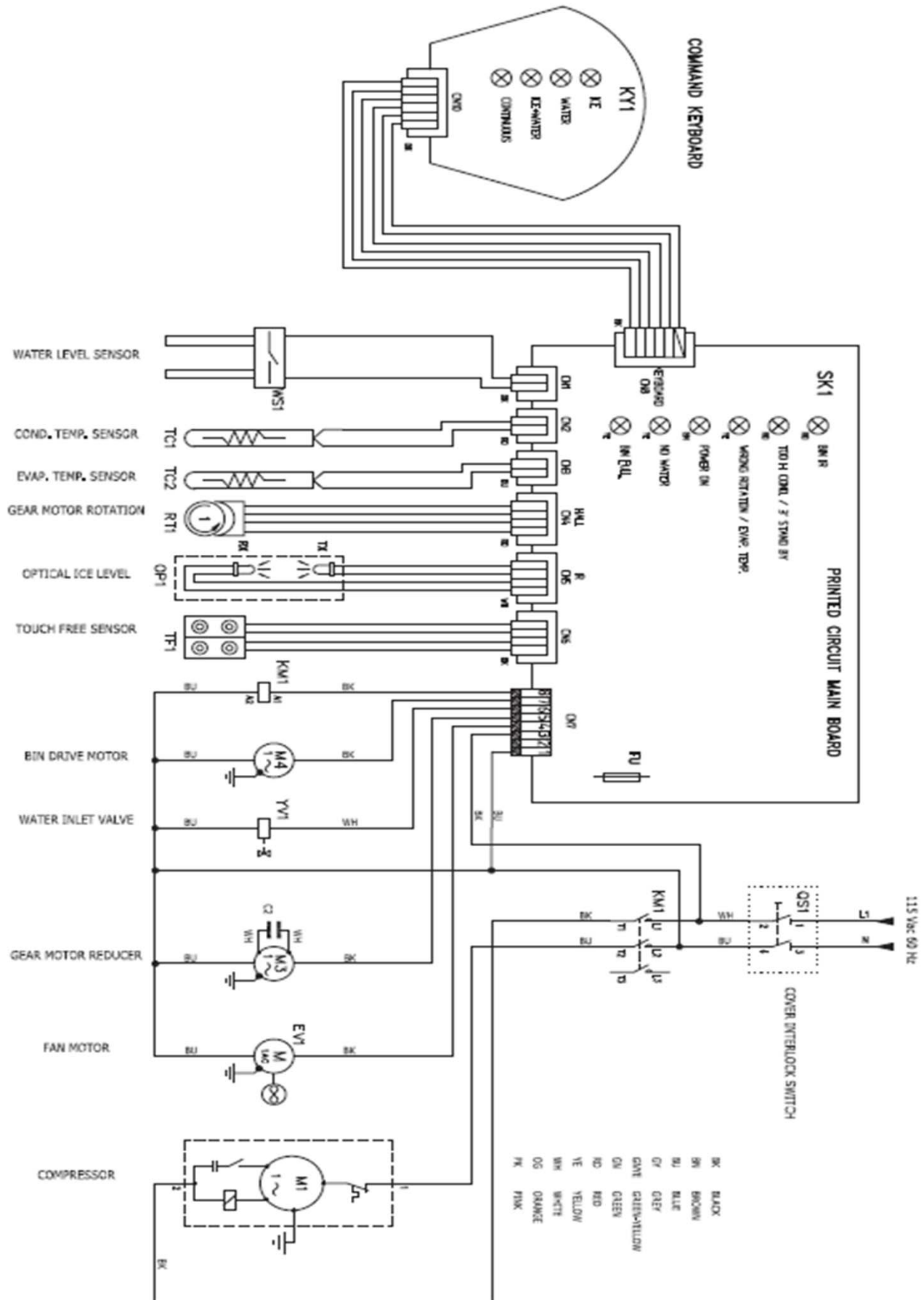
Controller Example from before 2010. Others (6/2010 and later) have only 1 white wire., plus water valve and auger motor wire colors switched.



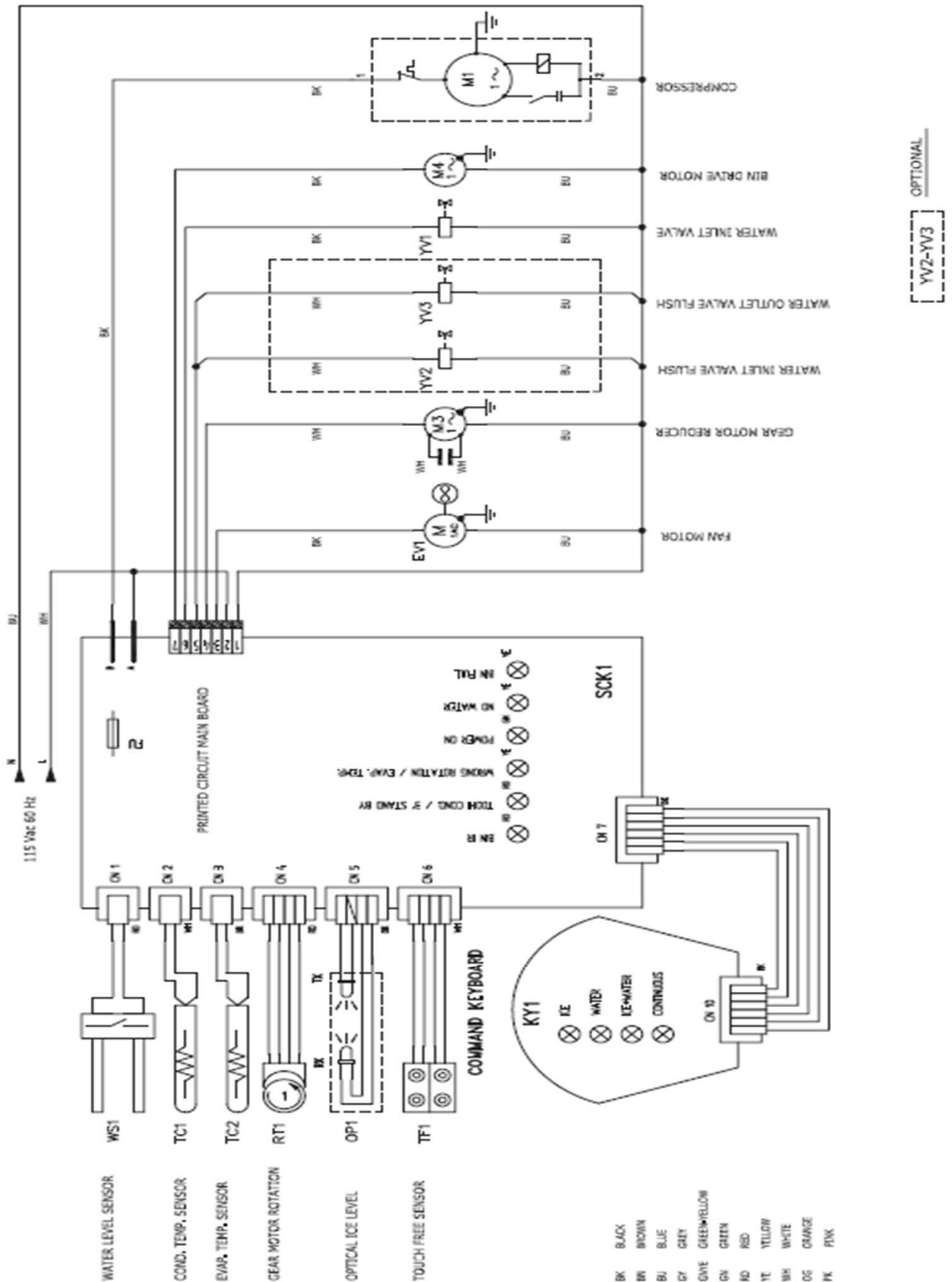
New 2015 Controller Kit - to replace all prior



Wiring Diagram June 2010 and later



Wiring Diagram From SN 1311128010584



PC BOARD - CARTE ELECTRONIQUE

SCHEDA ELETTRONICA - STEUERKARTE

CALIBRATION OF THE I/R ICE LEVEL CONTROL

At time of installation it's necessary to perform the calibration of the I/R Ice Level control.

- Switch OFF the machine at External Switch
- Push and hold the PC Board Push Button
- Switch ON the machine at External Switch
- Wait few seconds till all LEDs of the PC Board are ON
- Release the PC Board Push Button

The I/R Ice Level control is now calibrate

ETALONNAGE DE LA CELLULE INFRAROUGE

Lors de l'installation de la carte électronique, il est nécessaire de faire l'étalonnage de la cellule infrarouge

- Arrêter la machine à l'aide de l'interrupteur extérieur de la machine.
- Pousser le bouton de la carte et le maintenir enfoncé.
- Mettre en marche la machine à l'aide de l'interrupteur extérieur.
- Attendre 6-7 secondes jusqu'à les LEDs de la Carte sont allumés
- Relâcher le bouton poussoir de la carte

La cellule infrarouge est étalonnée.

CALIBRAZIONE DELLA SONDA OTTICA

All'installazione della scheda elettronica è necessario fare la calibrazione della sonda all'infrarosso

- Spegner la macchine all'interruttore principale esterno
- Premere il pulsante della scheda elettronica
- Mantenendo premuto il pulsante della scheda elettronica, mettere in marca la macchina all'interruttore principale
- Attendere qualche secondo fino a che i tre LED della scheda si accendono
- Rilasciare il pulsante della scheda elettronica

La sonda all'infrarosso è calibrata.

KALIBRIERUNG DER EISNIVEAU IR – LICHTSCHRANKE

Bei der Installation ist es notwendig eine Kalibrierung für die IR – Lichtschranke durchzuführen

- Schalten Sie die Maschine am Hauptschalter aus
- Drücken und halten Sie den Taster auf der Platine
- Schalten Sie die Maschine bei gedrücktem Taster wieder ein
- Halten Sie den Taster solange gedrückt bis die LED auf der Platine blinkt

Die IR – Lichtschranke ist nun kalibriert

NTC PC Board 660448 09 or the kit 060711 21

