

Ice-O-Matic[®]

SERVICE PARTS MANUAL GEM-MFI



Ice-O-Matic
11100 East 45th Ave
Denver, Colorado 80239
Part Number 9081403-03

Date 1/10

This parts list contains the service parts available for the GEM-MFI Series icemakers listed below:

From Serial Number 10021280010227

GEM0450 Air Cooled-Water Cooled

GEM0650 Air Cooled-Water Cooled-Remote, Includes 50 hz.

GEM0956-Air Cooled-Water Cooled-Remote, Includes 50 hz.

MFI0500 Air Cooled-Water Cooled

MFI0800 Air Cooled-Water Cooled-Remote, Includes 50 hz.

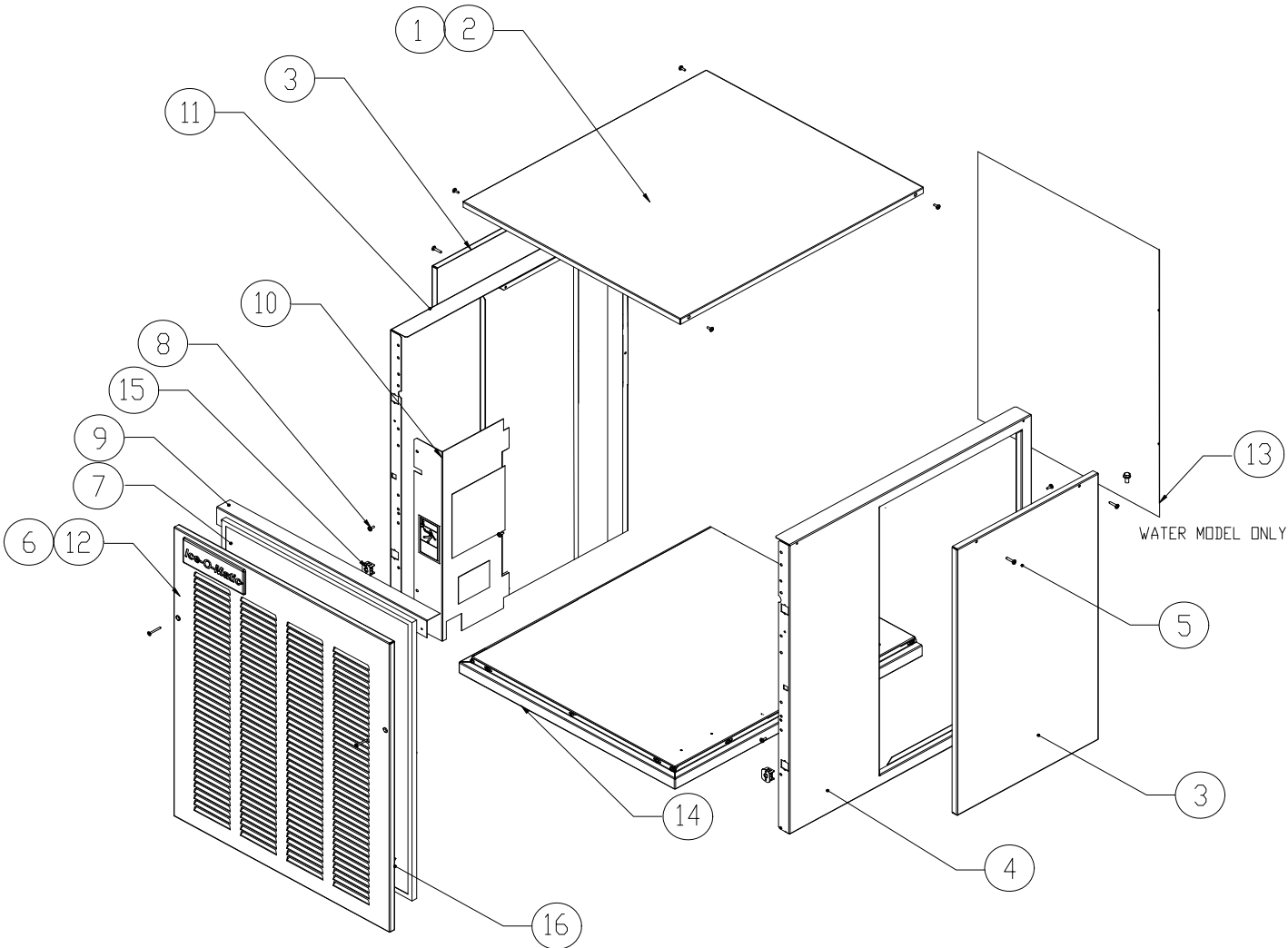
MFI1256 Air Cooled-Water Cooled-Remote, Includes 50hz.

Check the model number on the data plate and refer to the correct listing for the specific component.

Check carefully that the correct part is identified and ordered.

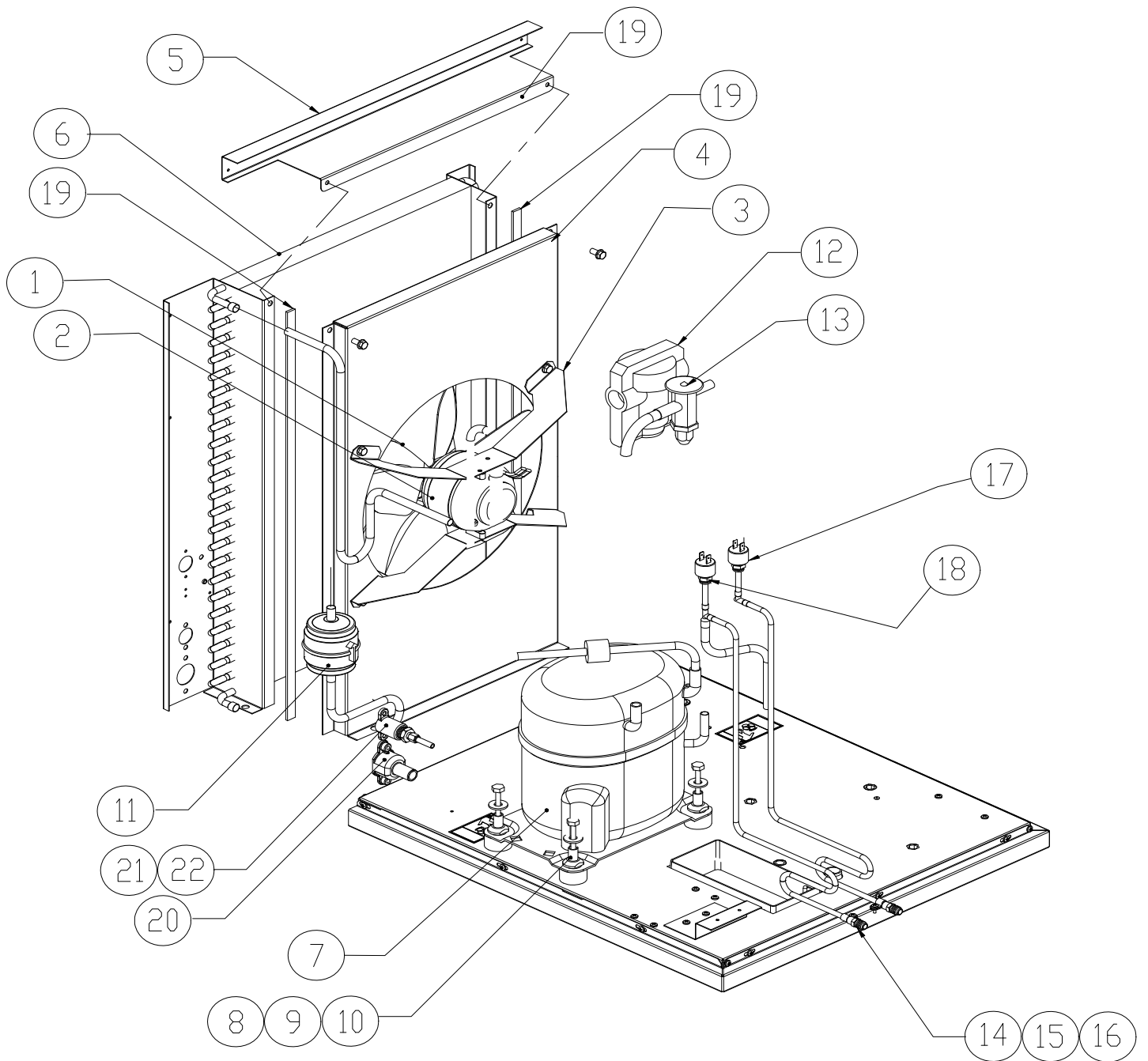
Table of Contents	Page 1
Cabinet Assembly	Page 2 - 3
Air Cooled	Page 4 - 5
Water Cooled	Page 6 - 7
Remote	Page 8 - 9
Compressor and Components	Page 9
Down Chute/Water System	Page 10 - 11
Control Box	Page 12
Gearmotor	Page 13
Evaporator	Page 14 - 15
Remote Condenser	Page 16

Ice-O-Matic
11100 East 45th Ave.
Denver Co. 80239
800-423-3367



Item No.	Model Number						Description
	GEM0450	GEM0650	GEM0956	MFI0500	MFI0800	MFI1256	
1	3021951-01	3021951-01	3021951-01	3021951-01	3021951-01	3021951-01	Panel, Top
2	9031046-27	9031046-27	9031046-27	9031046-27	9031046-27	9031046-27	Screw
3	3021953-01	3021953-01	3021953-01	3021953-01	3021953-01	3021953-01	Panel, Service
4	3021952-01	3021952-01	3021952-01	3021952-01	3021952-01	3021952-01	Panel, End, Right
5	9031113-14	9031113-14	9031113-14	9031113-14	9031113-14	9031113-14	Screw
6	2031515-01	2031515-01	2031515-01	2031515-01	2031515-01	2031515-01	Front Panel
7	9131475-01	9131475-01	9131475-01	9131475-01	9131475-01	9131475-01	Air Filter
8	9031046-27	9031046-27	9031046-27	9031046-27	9031046-27	9031046-27	Screw
9	2021701-01	2021701-01	2021701-01	2021701-01	2021701-01	2021701-01	Front Brace
10	3013391-01	3013391-01	3013391-01	3013391-01	3013391-01	3013391-01	Control Box Cover
11	3021950-01	3021950-01	3021950-01	3021950-01	3021950-01	3021950-01	Panel, End, Left
12	9031045-07	9031045-07	9031045-07	9031045-07	9031045-07	9031045-07	Screw
13	3013392-01	3013392-01	3013392-01	3013392-01	3013392-01	3013392-01	Panel, Rear
14	2021699-01	2021699-01	2021699-01	2021699-01	2021699-01	2021699-01	Base
15	9021112-01	9021112-01	9021112-01	9021112-01	9021112-01	9021112-01	Cabinet Catch
16	9021121-01	9021121-01	9021121-01	9021121-01	9021121-01	9021121-01	Strike

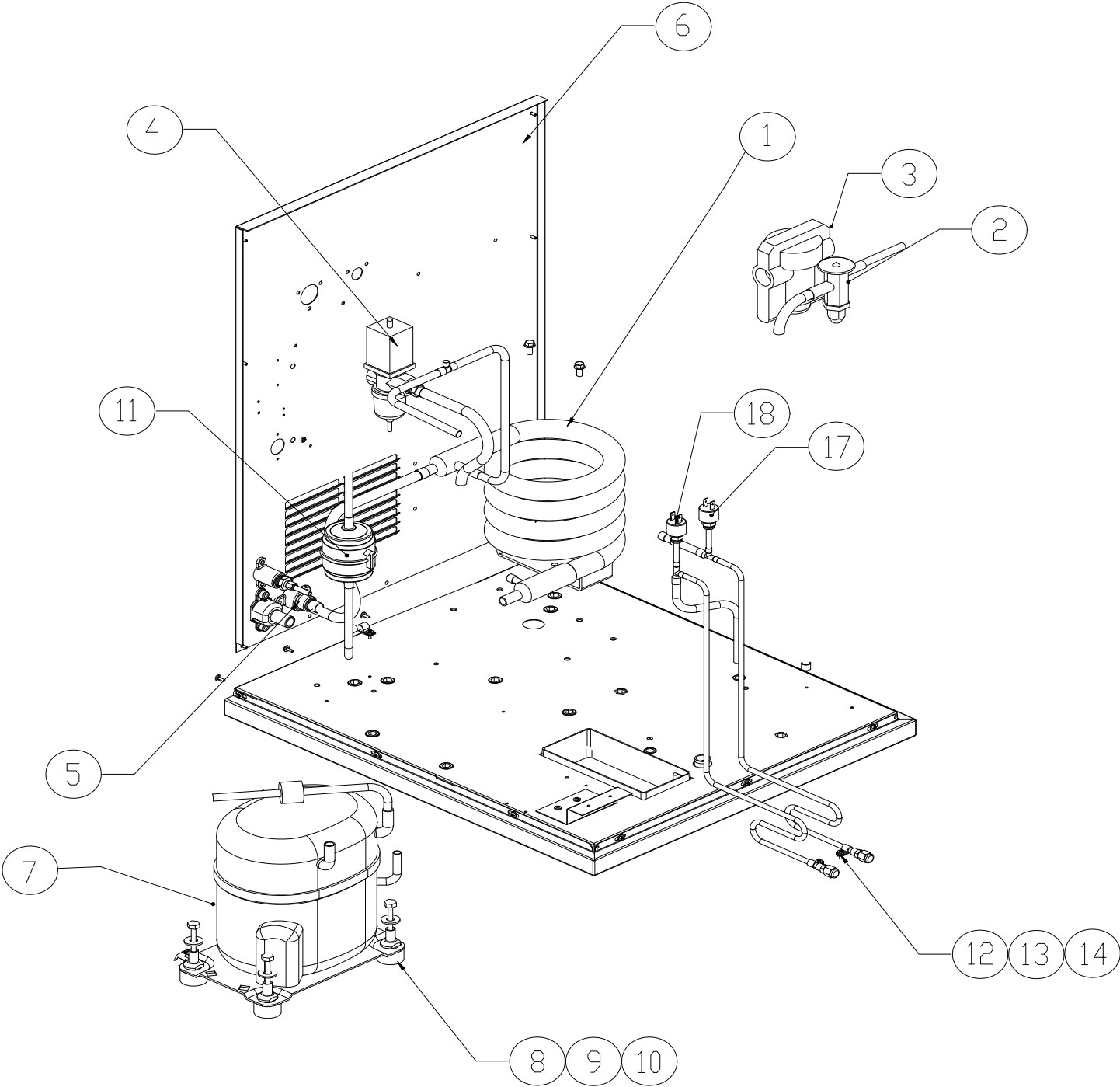
Item No.	Model Number						Description
		GEM0655	GEM0955		MFI0805	MFI1255	
1		3021951-01	3021951-01		3021951-01	3021951-01	Panel, Top
2		9031046-27	9031046-27		9031046-27	9031046-27	Screw
3		3021953-01	3021953-01		3021953-01	3021953-01	Panel, Service
4		3021952-01	3021952-01		3021952-01	3021952-01	Panel, End, Right
5		9031113-14	9031113-14		9031113-14	9031113-14	Screw
6		2031515-01	2031515-01		2031515-01	2031515-01	Front Panel
7		9131475-01	9131475-01		9131475-01	9131475-01	Air Filter
8		9031046-27	9031046-27		9031046-27	9031046-27	Screw
9		2021701-01	2021701-01		2021701-01	2021701-01	Front Brace
10		3013391-01	3013391-01		3013391-01	3013391-01	Control Box Cover
11		3021950-01	3021950-01		3021950-01	3021950-01	Panel, End, Left
12		9031045-07	9031045-07		9031045-07	9031045-07	Screw
13		3013392-01	3013392-01		3013392-01	3013392-01	Panel, Rear
14		2021699-01	2021699-01		2021699-01	2021699-01	Base
15		9021112-01	9021112-01		9021112-01	9021112-01	Cabinet Catch
16		9021121-01	9021121-01		9021121-01	9021121-01	Front Panel Catch



Item No.	Model Number						Description
	GEM0450	GEM0650	GEM0956	MFI0500	MFI0800	MFI1256	
1	9131489-01	9131489-01	9131487-01	9131489-01	9131489-01	9131487-01	Fan Blade
2	9161078-01	9161078-01	9161120-02	9161078-01	9161078-01	9161120-02	Fan Motor
3	3013394-01	3013394-01	3013393-01	3013394-01	3013394-01	3013393-01	Fan Bracket
4	3013379-01	3013379-01	3013372-01	3013379-01	3013379-01	3013372-01	Fan Shroud
5	3013378-01	3013378-01	3013378-01	3013378-01	3013378-01	3013378-01	Fan Shroud Cover
6	9141139-01	9141139-01	9141138-01	9141139-01	9141139-01	9141138-01	Air Condenser
7	9181131-11	9181135-11	9181134-11	9181131-11	9181135-11	9181134-11	Compressor
8	9031001-41	9031001-41	9031001-41	9031001-41	9031001-41	9031001-41	Compressor Bolt
9	9181002-09	9181002-09	9181002-09	9181002-09	9181002-09	9181002-09	Compressor Grommet
10	9181002-02	9181002-02	9181002-02	9181002-02	9181002-02	9181002-02	Compressor Grommet Sleeve
11	9151004-04	9151004-04	9151004-04	9151004-04	9151004-04	9151004-04	Drier
12	9131483-01	9131483-01	9131483-01	9131483-01	9131483-01	9131483-01	Expansion Valve Insulation
13	9151161-02	9151161-01	9151161-01	9151161-02	9151161-01	9151161-01	Expansion Valve
14	9091086-01	9091086-01	9091086-01	9091086-01	9091086-01	9091086-01	Service Valve Body
15	9091086-02	9091086-02	9091086-02	9091086-02	9091086-02	9091086-02	Service Valve Core
16	9091086-03	9091086-03	9091086-03	9091086-03	9091086-03	9091086-03	Service Valve Cap
17	9041091-01	9041091-01	9041091-01	9041091-01	9041091-01	9041091-01	Hi Pressure Cut Out
18	9041092-02	9041092-02	9041092-02	9041092-02	9041092-02	9041092-02	Low Pressure Cut Out
19	6081004-07	6081004-07	6081004-07	6081004-07	6081004-07	6081004-07	Gasket Strip, Flat 4 Ft. Required
20	9091140-01	9091140-01	9091140-01	9091140-01	9091140-01	9091140-01	Drain Fitting
21	9091074-01	9091074-01	9091074-01	9091074-01	9091074-01	9091074-01	Drop Adapter
22	9091083-01	9091083-01	9091083-01	9091083-01	9091083-01	9091083-01	Water Inlet Fitting

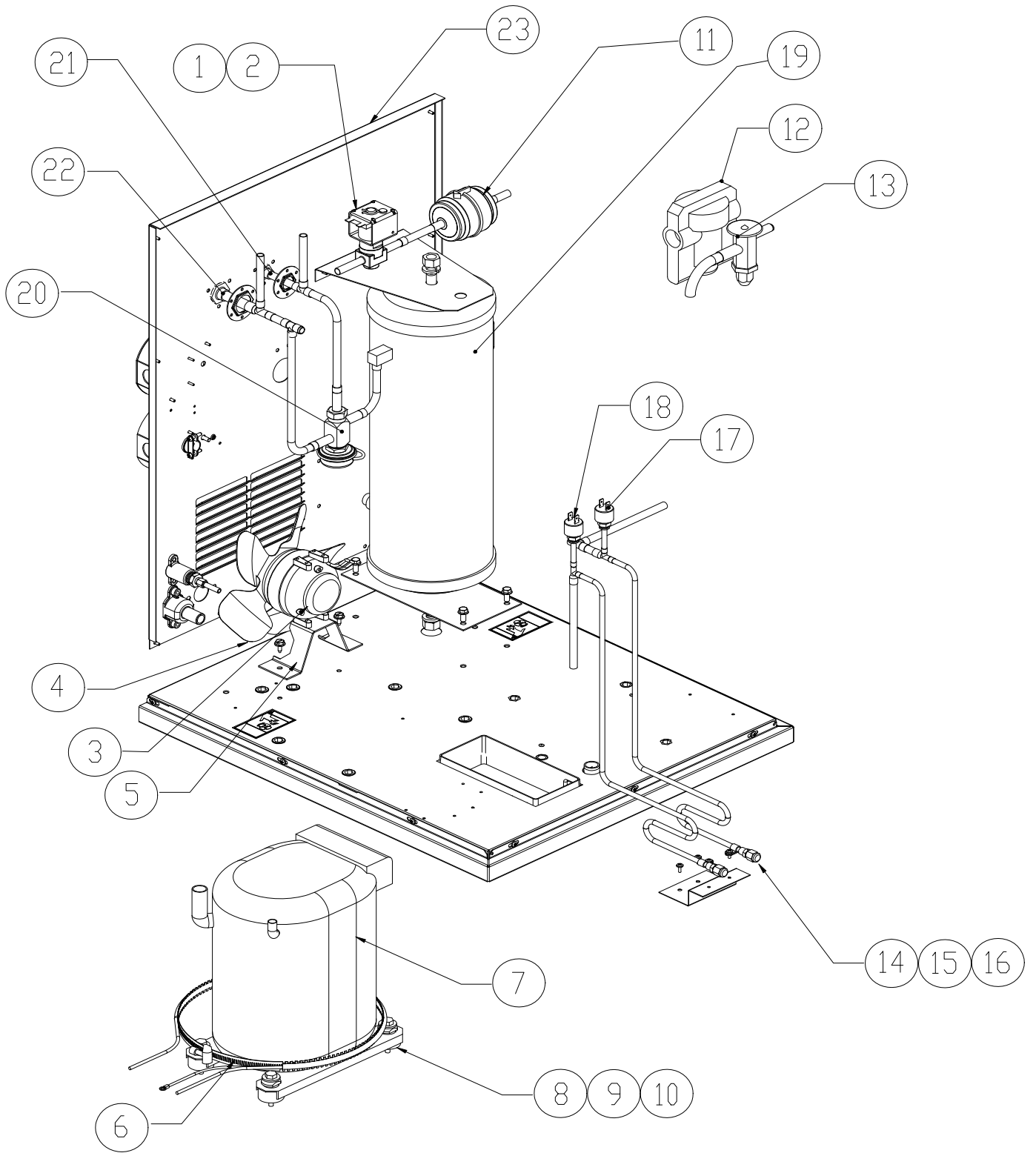
Note: The MFI1256/GEM956 has 2 Fan Motors and 2 Fan Blades

Item No.	Model Number				MFI0805	MFI1255	Description
		GEM0655	GEM0955				
1		9131489-01	9131487-01		9131489-01	9131487-01	Fan Blade
2		9161078-02	9161120-02		9161078-02	9161120-02	Fan Motor
3		3013394-01	3013393-01		3013394-01	3013393-01	Fan Bracket
4		3013379-01	3013372-01		3013379-01	3013372-01	Fan Shroud
5		3013378-01	3013378-01		3013378-01	3013378-01	Fan Shroud Cover
6		9141139-01	9141138-01		9141139-01	9141138-01	Air Condenser
7		9181135-12	9181130-11		9181135-12	9181130-11	Compressor
8		9031001-41	9031001-41		9031001-41	9031001-41	Compressor Bolt
9		9181002-09	9181002-09		9181002-09	9181002-09	Compressor Grommet
10		9181002-02	9181002-02		9181002-02	9181002-02	Compressor Grommet Sleeve
11		9151004-04	9151004-04		9151004-04	9151004-04	Drier
12		9131483-01	9131483-01		9131483-01	9131483-01	Expansion Valve Insulation
13		9151161-01	9151161-01		9151161-01	9151161-01	Expansion Valve
14		9091086-01	9091086-01		9091086-01	9091086-01	Service Valve Body
15		9091086-02	9091086-02		9091086-02	9091086-02	Service Valve Core
16		9091086-03	9091086-03		9091086-03	9091086-03	Service Valve Cap
17		9041091-01	9041091-01		9041091-01	9041091-01	Hi Pressure Cut Out
18		9041092-02	9041092-02		9041092-02	9041092-02	Low Pressure Cut Out
19		6081004-07	6081004-07		6081004-07	6081004-07	Gasket Strip, Flat 4 Ft. Required
20		9091140-01	9091140-01		9091140-01	9091140-01	Drain Fitting
21		9091074-01	9091074-01		9091074-01	9091074-01	Drop Adapter
22		9091083-01	9091083-01		9091083-01	9091083-01	Water Inlet Fitting



Item No.	Model Number						Description
	GEM0450	GEM0650	GEM0956	MFI0500	MFI0800	MFI1256	
1	9141141-01	9141141-01	9141142-01	9141141-01	9141141-01	9141142-01	Water Cooled Condenser
2	9151161-02	9151161-01	9151161-01	9151161-02	9151161-01	9151161-01	Expansion Valve
3	9131483-01	9131483-01	9131483-01	9131483-01	9131483-01	9131483-01	Expansion Valve Insulation Kit
4	9041101-01	9041101-01	9041101-01	9041101-01	9041101-01	9041101-01	Water Regulating Valve
5	9091063-02	9091063-02	9091063-02	9091063-02	9091063-02	9091063-02	Water Cooled Condenser Drain
6	3013392-01	3013392-01	3013392-01	3013392-01	3013392-01	3013392-01	Rear Panel
7	9181131-11	9181135-11	9181134-11	9181131-11	9181135-11	9181134-11	Compressor
8	9031001-41	9031001-41	9031001-41	9031001-41	9031001-41	9031001-41	Compressor Bolt
9	9181002-09	9181002-09	9181002-09	9181002-09	9181002-09	9181002-09	Compressor Grommet
10	9181002-02	9181002-02	9181002-02	9181002-02	9181002-02	9181002-02	Compressor Grommet Sleeve
11	9151004-04	9151004-04	9151004-04	9151004-04	9151004-04	9151004-04	Drier
12	9091086-01	9091086-01	9091086-01	9091086-01	9091086-01	9091086-01	Service Valve Body
13	9091086-02	9091086-02	9091086-02	9091086-02	9091086-02	9091086-02	Service Valve Core
14	9091086-03	9091086-03	9091086-03	9091086-03	9091086-03	9091086-03	Service Valve Cap
15	9041091-01	9041091-01	9041091-01	9041091-01	9041091-01	9041091-01	Hi Pressure Cut Out
16	9041092-02	9041092-02	9041092-02	9041092-02	9041092-02	9041092-02	Low Pressure Cut Out

Item No.	Model Number						Description
		GEM0655	GEM0955		MFI0805	MFI1255	
1		9141141-01	9141142-01		9141141-01	9141142-01	Water Cooled Condenser
2		9151161-01	9151161-01		9151161-01	9151161-01	Expansion Valve
3		9131483-01	9131483-01		9131483-01	9131483-01	Expansion Valve Insulation Kit
4		9041101-01	9041101-01		9041101-01	9041101-01	Water Regulating Valve
5		9091063-02	9091063-02		9091063-02	9091063-02	Water Cooled Condenser Drain
6		3013392-01	3013392-01		3013392-01	3013392-01	Rear Panel
7		9181135-12	9181130-11		9181135-12	9181130-11	Compressor
8		9031001-41	9031001-41		9031001-41	9031001-41	Compressor Bolt
9		9181002-09	9181002-09		9181002-09	9181002-09	Compressor Grommet
10		9181002-02	9181002-02		9181002-02	9181002-02	Compressor Grommet Sleeve
11		9151004-04	9151004-04		9151004-04	9151004-04	Drier
12		9091086-01	9091086-01		9091086-01	9091086-01	Service Valve Body
13		9091086-02	9091086-02		9091086-02	9091086-02	Service Valve Core
14		9091086-03	9091086-03		9091086-03	9091086-03	Service Valve Cap
15		9041091-01	9041091-01		9041091-01	9041091-01	Hi Pressure Cut Out
16		9041092-02	9041092-02		9041092-02	9041092-02	Low Pressure Cut Out

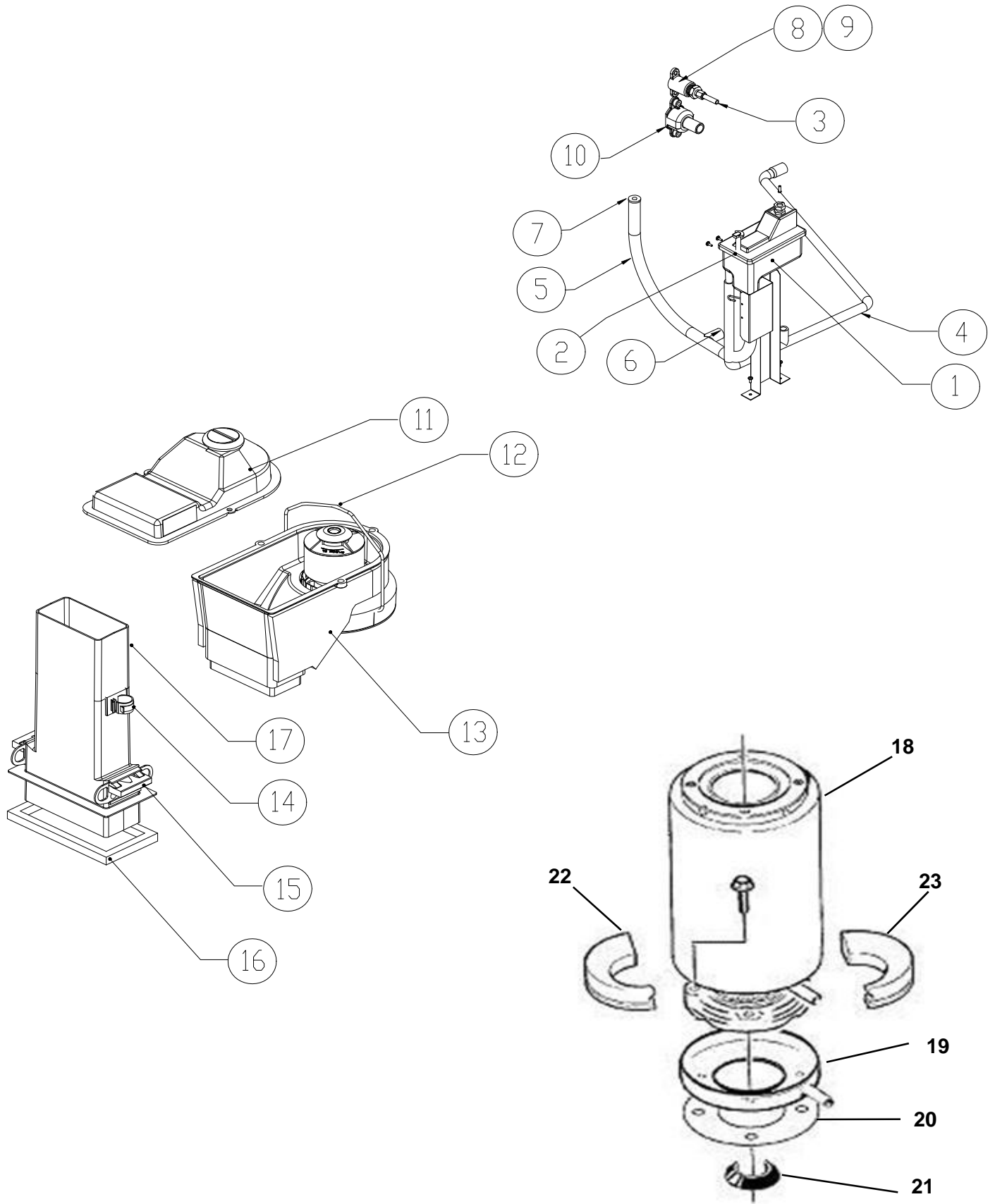


Item No.	Model Number						Description
		GEM0650	GEM0956		MFI0800	MFI1256	
1		9151123-01	9151123-01		9151123-01	9151123-01	Liquid Line Solenoid Body
2		9151123-03	9151123-04		9151123-03	9151123-04	Liquid Line Solenoid Coil
3		9161120-01	9161120-02		9161120-01	9161120-02	Fan Motor
4		9131488-01	9131488-01		9131488-01	9131488-01	Fan Blade
5		3013377-01	3013377-01		3013377-01	3013377-01	Fan Motor Bracket
6		9181132-02	9181132-01		9181132-02	9181132-01	Compressor Crankcase Heater
7		9181135-11	9181134-11		9181135-11	9181134-11	Compressor
8		9031001-41	9031001-41		9031001-41	9031001-41	Compressor Bolt
9		9181002-09	9181002-09		9181002-09	9181002-09	Compressor Grommet
10		9181002-02	9181002-02		9181002-02	9181002-02	Compressor Grommet Sleeve
11		9151004-04	9151004-04		9151004-04	9151004-04	Drier
12		9131483-01	9131483-01		9131483-01	9131483-01	Expansion Valve Insulation
13		9151161-01	9151161-01		9151161-01	9151161-01	Expansion Valve
14		9091086-01	9091086-01		9091086-01	9091086-01	Service Valve Body
15		9091086-02	9091086-02		9091086-02	9091086-02	Service Valve Core
16		9091086-03	9091086-03		9091086-03	9091086-03	Service Valve Cap
17		9041091-01	9041091-01		9041091-01	9041091-01	Hi Pressure Cut Out
18		9041092-02	9041092-02		9041092-02	9041092-02	Low Pressure Cut Out
19		9151159-01	9151159-01		9151159-01	9151159-01	Receiver
20		9151027-05	9151027-05		9151027-05	9151027-05	Head Pressure Control Valve
21		9091001-11	9091001-11		9091001-11	9091001-11	Quick Connect Fitting 3/8
22		9091001-12	9091001-12		9091001-12	9091001-12	Quick Connect Fitting 1/2
23		3013392-01	3013392-01		3013392-01	3013392-01	Rear Panel

Compressor and Components

Item No.	Model Number						Description
	GEM0450	GEM0650	GEM0956	MFI0500	MFI0800	MFI1256	
1	9181131-11	9181135-11	9181134-11	9181131-11	9181135-11	9181134-11	Compressor Kit
2	N/A	9181009-11	9181009-11	N/A	9181009-11	9181009-11	Run Capacitor
3	9181003-49	9181003-47	9181003-20	9181003-49	9181003-47	9181003-20	Start Capacitor
4	9181004-29	9181010-31	9181010-12	9181004-29	9181010-31	9181010-12	Compressor Relay
5	1011380-233	1011380-125	Internal	1011380-233	1011380-125	Internal	Overload

Item No.	Model Number						Description
		GEM0655	GEM0955		MFI0805	MFI1255	
1		9181135-12	9181130-11		9181135-12	9181130-11	Compressor Kit
2		9181009-09	9181009-16		9181009-09	9181009-16	Run Capacitor
3		9181003-48	9181003-08		9181003-48	9181003-08	Start Capacitor
4		9181010-04	9181010-27		9181010-04	9181010-27	Compressor Relay
5		1011380-130	1011380-139		1011380-130	1011380-139	Overload

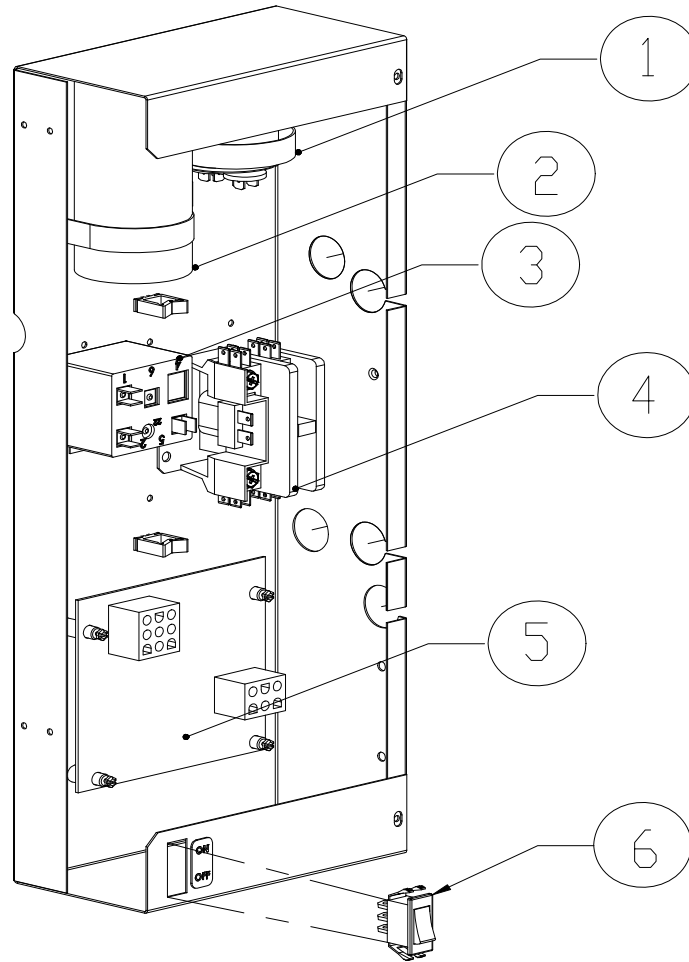


GEM-MFI Series Service Parts

Down Chute-Water System

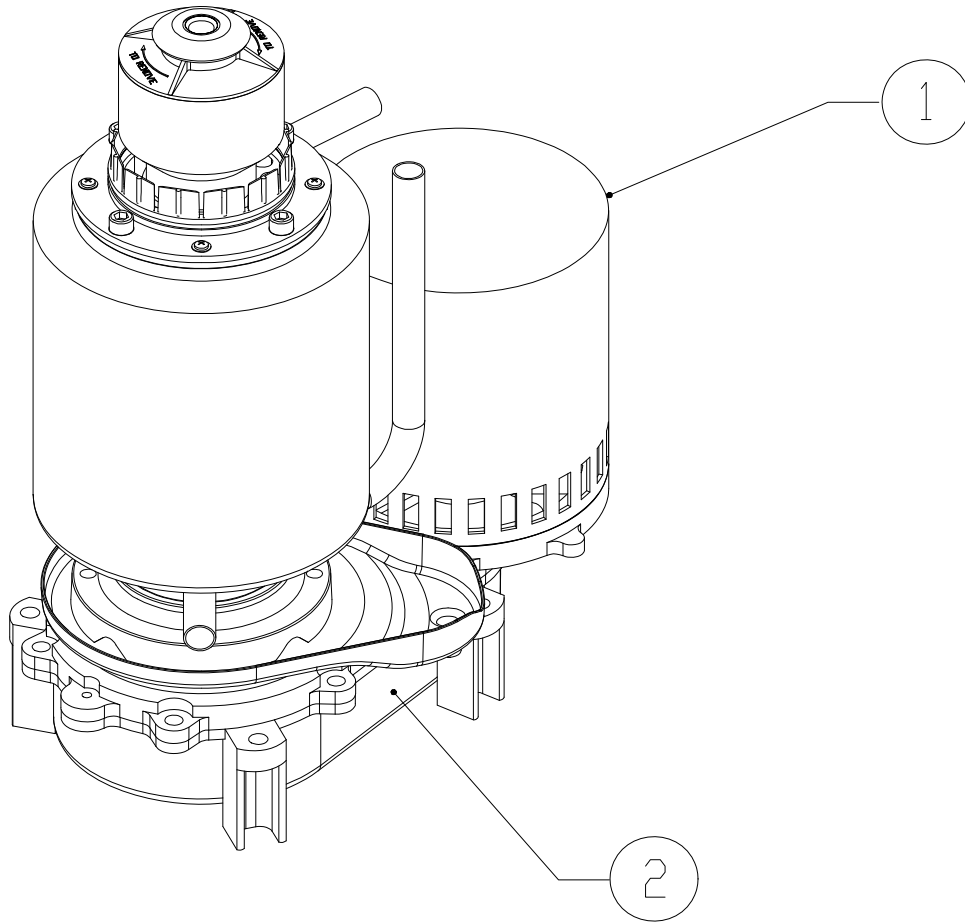
Item No.	Model Number						Description
	GEM0450	GEM0650	GEM0956	MFI0500	MFI0800	MFI1256	
1	9131481-01	9131481-01	9131481-01	9131481-01	9131481-01	9131481-01	Float Assembly
2	9101334-01	9101334-01	9101334-01	9101334-01	9101334-01	9101334-01	Probe-Conductivity
3	3032898-40	3032898-40	3032898-40	3032898-40	3032898-40	3032898-40	1/4 OD Polyethylene Tube (40")
4	9051606-02	9051606-02	9051606-01	9051606-02	9051606-02	9051606-01	Tube, Water Drain
5	9051619-01	9051619-01	9051619-01	9051619-01	9051619-01	9051619-01	Tube, Evaporator Water Inlet
6	9021113-01	9021113-01	9021113-01	9021113-01	9021113-01	9021113-01	Clamp
7	9051610-01	9051610-01	9051610-01	9051610-01	9051610-01	9051610-01	Plug
8	9091074-01	9091074-01	9091074-01	9091074-01	9091074-01	9091074-01	Drop Adapter Fitting
9	9091083-01	9091083-01	9091083-01	9091083-01	9091083-01	9091083-01	Water Inlet Fitting
10	9091140-01	9091140-01	9091140-01	9091140-01	9091140-01	9091140-01	Drain Fitting
11	9051602-01	9051602-01	9051602-01	9051602-01	9051602-01	9051602-01	Cover-Ice Chute
12	9131494-01	9131494-01	9131494-01	9131494-01	9131494-01	9131494-01	Clamp-Ice Chute
13	9131495-01	9131495-01	9131495-01	9131495-01	9131495-01	9131495-01	Ice Chute and Foam Assembly
14	9021116-01	9021116-01	9021116-01	9021116-01	9021116-01	9021116-01	Clip-Hose
15	1011380-223	1011380-223	1011380-223	1011380-223	1011380-223	1011380-223	Bin Control Assembly Set of 2
16	9051614-01	9051614-01	9051614-01	9051614-01	9051614-01	9051614-01	Gasket, Ice Chute
17	9051601-01	9051601-01	9051601-02	9051601-01	9051601-01	9051601-02	Ice Chute,Lower
18	1011382-09	1011382-09	1011380-172	1011382-09	1011382-09	1011380-172	Evaporator
19	1011380-27	1011380-27	1011380-27	1011380-27	1011380-27	1011380-27	Drip Pan
20	1011380-83	1011380-83	1011380-83	1011380-83	1011380-83	1011380-83	Drip Pan Gasket
21	1011380-85	1011380-85	1011380-85	1011380-85	1011380-85	1011380-85	Water Shed

Item No.	Model Number						Description
		GEM0655	GEM0955		MFI0805	MFI1255	
1		9131481-01	9131481-01		9131481-01	9131481-01	Float Assembly
2		9101334-01	9101334-01		9101334-01	9101334-01	Probe-Conductivity
3		3032898-40	3032898-40		3032898-40	3032898-40	1/4 OD Polyethylene Tube (40")
4		9051606-02	9051606-01		9051606-02	9051606-01	Tube, Water Drain
5		9051619-01	9051619-01		9051619-01	9051619-01	Tube, Evaporator Water Inlet
6		9021113-01	9021113-01		9021113-01	9021113-01	Clamp
7		9051610-01	9051610-01		9051610-01	9051610-01	Plug
8		9091074-01	9091074-01		9091074-01	9091074-01	Drop Adapter Fitting
9		9091083-01	9091083-01		9091083-01	9091083-01	Water Inlet Fitting
10		9091140-01	9091140-01		9091140-01	9091140-01	Drain Fitting
11		9051602-01	9051602-01		9051602-01	9051602-01	Cover-Ice Chute
12		9131494-01	9131494-01		9131494-01	9131494-01	Clamp-Ice Chute
13		9131495-01	9131495-01		9131495-01	9131495-01	Ice Chute and Foam Assembly
14		9021116-01	9021116-01		9021116-01	9021116-01	Clip-Hose
15		1011380-223	1011380-223		1011380-223	1011380-223	Bin Control Assembly Set of 2
16		9051614-01	9051614-01		9051614-01	9051614-01	Gasket, Ice Chute
17		9051601-01	9051601-02		9051601-01	9051601-02	Ice Chute,Lower
18		1011382-09	1011380-172		1011382-09	1011380-172	Evaporator
19		1011380-27	1011380-27		1011380-27	1011380-27	Drip Pan
20		1011380-83	1011380-83		1011380-83	1011380-83	Drip Pan Gasket
21		1011380-85	1011380-85		1011380-85	1011380-85	Water Shed



Item No.	Model Number						Description
	GEM0450	GEM0650	GEM0956	MFI0500	MFI0800	MFI1256	
1	N/A	9181009-11	9181009-11	N/A	9181009-11	9181009-11	Run Capacitor
2	9181003-49	9181003-47	9181003-20	9181003-49	9181003-47	9181003-20	Start Capacitor
3	9181004-29	9181010-31	9181010-12	9181004-29	9181010-31	9181010-12	Compressor Relay
4	9101002-07	9101002-07	9101002-06	9101002-07	9101002-07	9101002-06	Contactator
5	9101335-01	9101335-01	9101335-01	9101335-01	9101335-01	9101335-01	Board
6	9101139-04	9101139-04	9101139-04	9101139-04	9101139-04	9101139-04	Switch

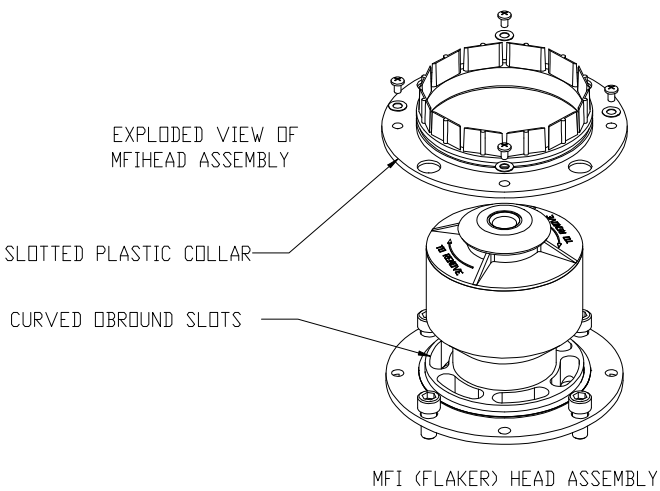
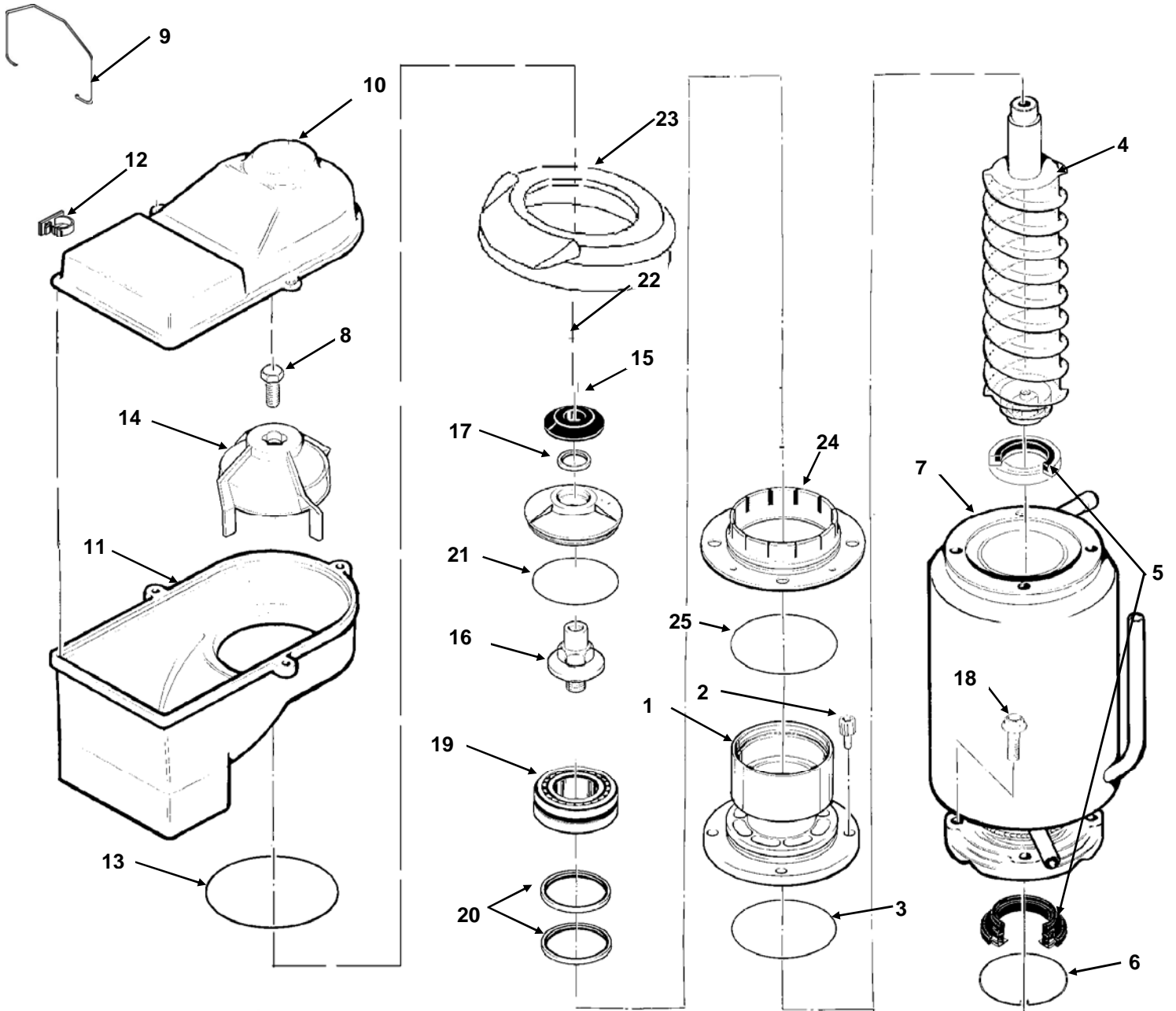
Item No.	Model Number				Description
	GEM0655	GEM0955	MFI0805	MFI1255	
1	9181009-09	9181009-16	9181009-09	9181009-16	Run Capacitor
2	9181003-48	9181003-08	9181003-48	9181003-08	Start Capacitor
3	9181010-04	9181010-27	9181010-04	9181010-27	Compressor Relay
4	9101002-06	9101002-06	9101002-06	9101002-06	Contactator
5	9101335-01	9101335-01	9101335-01	9101335-01	Board
6	9101139-04	9101139-04	9101139-04	9101139-04	Switch



Note: Evaporator is not included.

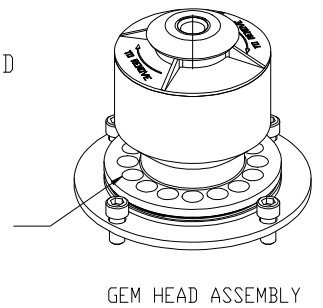
Item No.	Model Number						Description
	GEM0450	GEM0650	GEM0956	MFI0500	MFI0800	MFI1256	
1	1011380-67	1011380-67	1011380-68	1011380-67	1011380-67	1011380-68	Drive Motor Only
2	1011380-189	1011380-189	1011380-189	1011380-189	1011380-189	1011380-189	Gear Case Assembly Only
	1011380-186	1011380-186	1011380-187	1011380-186	1011380-186	1011380-187	Drive Motor-Gear Case Assy

Item No.	Model Number				Description
	GEM0655	GEM0955	MFI0805	MFI1255	
1	1011380-68	1011380-68	1011380-68	1011380-68	Drive Motor Only
2	1011380-189	1011380-189	1011380-189	1011380-189	Gear Case Assembly Only
	1011380-187	1011380-187	1011380-187	1011380-187	Drive Motor-Gear Case Assy



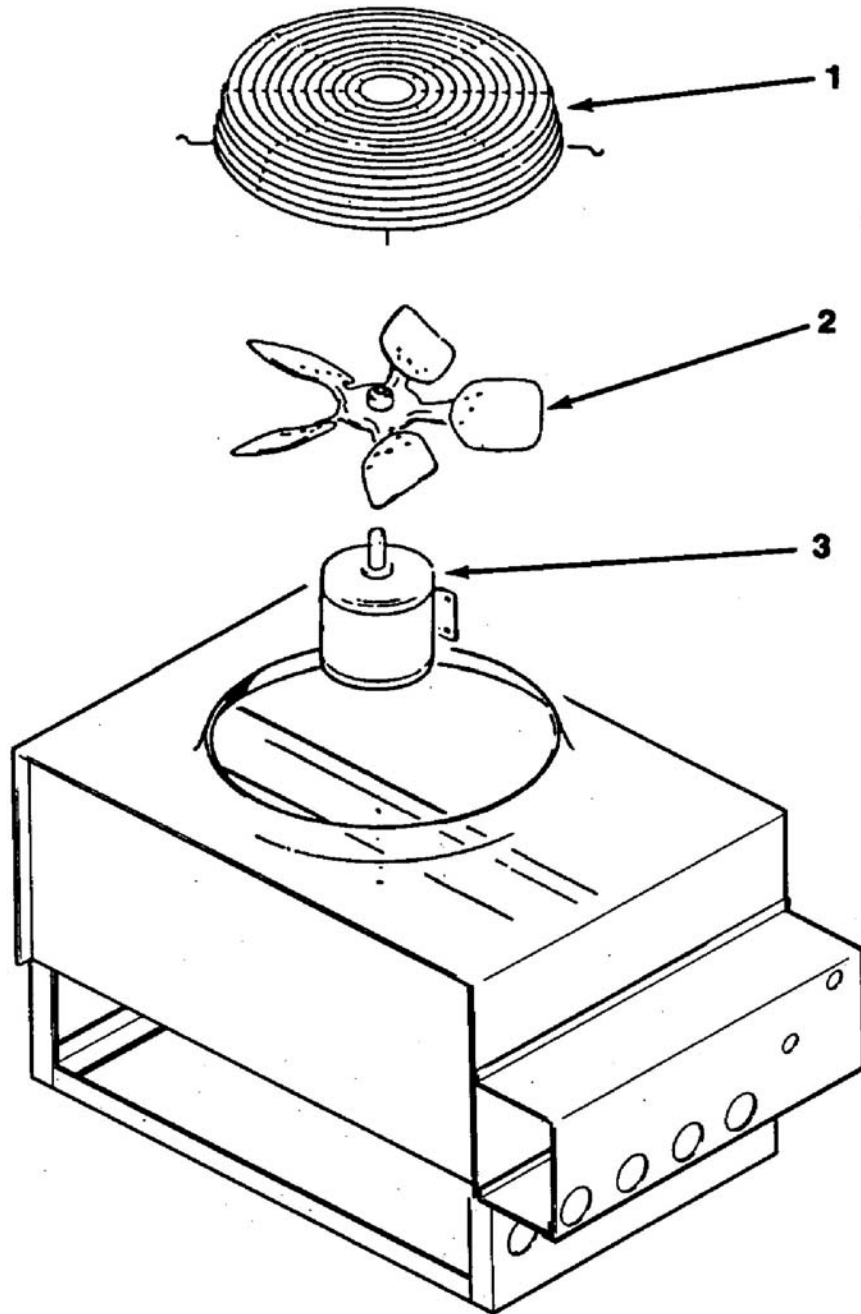
NOTE DIFFERENCE BETWEEN MFI HEAD ASSEMBLY AND GEM HEAD ASSEMBLY

ROUND EXTRUSION HOLES WITH NO SLOTTED PLASTIC COLLAR



Item No.	Model Number						Description
	GEM0450	GEM0650	GEM0956	MFI0500	MFI0800	MFI1256	
1	1011380-175	1011380-175	1011380-175	1011382-01	1011382-01	1011382-01	Breaker
2	1011380-44	1011380-44	1011380-44	1011380-44	1011380-44	1011380-44	Socket Head Screw
3	1011380-80	1011380-80	1011380-80	1011380-81	1011380-81	1011380-81	O-Ring
4	1011380-225	1011380-225	1011380-226	1011380-225	1011380-225	1011380-226	Auger
5	1011380-02	1011380-02	1011380-02	1011380-02	1011380-02	1011380-02	Water Seal
6	1011380-168	1011380-168	1011380-168	1011380-168	1011380-168	1011380-168	Ring, Water Seal
7	1011380-185	1011380-185	1011380-172	1011380-185	1011380-185	1011380-172	Evaporator-Barrel Only
8	1011380-38	1011380-38	1011380-38	1011380-38	1011380-38	1011380-38	Hex Cap Screw
9	9131494-01	9131494-01	9131494-01	9131494-01	9131494-01	9131494-01	Bail Clamp
10	9051602-01	9051602-01	9051602-01	9051602-01	9051602-01	9051602-01	Ice Chute Cover
11	9131495-01	9131495-01	9131495-01	9131495-01	9131495-01	9131495-01	Ice Chute Body with Insulation
12	9021116-01	9021116-01	9021116-01	9021116-01	9021116-01	9021116-01	Drain Hose Clip
13	1011380-81	1011380-81	1011380-81	1011380-81	1011380-81	1011380-81	O-Ring
14	1011380-12	1011380-12	1011380-12	1011380-12	1011380-12	1011380-12	Ice Sweep
15	1011380-13	1011380-13	1011380-13	1011380-13	1011380-13	1011380-13	Breaker Cover
16	1011380-46	1011380-46	1011380-46	1011380-46	1011380-46	1011380-46	Auger Stud
17	1011380-11	1011380-11	1011380-11	1011380-11	1011380-11	1011380-11	Lip Seal
18	1011380-37	1011380-37	1011380-37	1011380-37	1011380-37	1011380-37	Cap Screw
19	1011380-202	1011380-202	1011380-202	1011380-202	1011380-202	1011380-202	Bearing
20	1011380-10	1011380-10	1011380-10	1011380-10	1011380-10	1011380-10	Lip Seal
21	1011380-82	1011380-82	1011380-82	1011380-82	1011380-82	1011380-82	O-Ring
22	1011380-86	1011380-86	1011380-86	1011380-86	1011380-86	1011380-86	Water Shed
23	1011380-87	1011380-87	1011380-87	1011380-87	1011380-87	1011380-87	Insulation Collar
24	N/A	N/A	N/A	1011382-02	1011382-02	1011382-02	Slotted collar
25	N/A	N/A	N/A	1011382-04	1011382-04	1011382-04	O-Ring

Item No.	Model Number				MFI0805	MFI1255	Description
	GEM0655	GEM0955					
1	1011380-175	1011380-175			1011382-01	1011382-01	Breaker
2	1011380-44	1011380-44			1011380-44	1011380-44	Socket Head Screw
3	1011380-80	1011380-80			1011380-81	1011380-81	O-Ring
4	1011380-225	1011380-226			1011380-225	1011380-226	Auger
5	1011380-02	1011380-02			1011380-02	1011380-02	Water Seal
6	1011380-168	1011380-168			1011380-168	1011380-168	Ring, Water Seal
7	1011380-185	1011380-172			1011380-185	1011380-172	Evaporator-Barrel Only
8	1011380-38	1011380-38			1011380-38	1011380-38	Hex Cap Screw
9	9131494-01	9131494-01			9131494-01	9131494-01	Bail Clamp
10	9051602-01	9051602-01			9051602-01	9051602-01	Ice Chute Cover
11	9131495-01	9131495-01			9131495-01	9131495-01	Ice Chute Body with Insulation
12	9021116-01	9021116-01			9021116-01	9021116-01	Drain Hose Clip
13	1011380-81	1011380-81			1011380-81	1011380-81	O-Ring
14	1011380-12	1011380-12			1011380-12	1011380-12	Ice Sweep
15	1011380-13	1011380-13			1011380-13	1011380-13	Breaker Cover
16	1011380-46	1011380-46			1011380-46	1011380-46	Auger Stud
17	1011380-11	1011380-11			1011380-11	1011380-11	Lip Seal
18	1011380-37	1011380-37			1011380-37	1011380-37	Cap Screw
19	1011380-202	1011380-202			1011380-202	1011380-202	Bearing
20	1011380-10	1011380-10			1011380-10	1011380-10	Lip Seal
22	1011380-82	1011380-82			1011380-82	1011380-82	O-Ring
22	1011380-86	1011380-86			1011380-86	1011380-86	Water Shed
23	1011380-87	1011380-87			1011380-87	1011380-87	Insulation Collar
24	N/A	N/A			1011382-02	1011382-02	Slotted collar
25	N/A	N/A			1011382-04	1011382-04	O-Ring



Item No.	Model Number			Description
	GRC1001	GRC1061	GRC1061	
1	9131452-01	9131452-01	9131452-01	Fan Shroud
2	9131490-01	9131490-01	9131490-01	Fan Blade
3	9161121-01	9161121-01	9161121-02	Fan Motor

GEM0650R GEM0956R MFI1256R