

# ***Ice-O-Matic***<sup>®</sup>

**SERVICE PARTS MANUAL**  
**The EF Series Flaker**  
**MODEL-EF250, EF450, EF800**



**Ice-O-Matic**  
**11100 East 45th Ave**  
**Denver, Colorado 80239**  
**Part Number 9081336-01**

**Date 8/10**



# EF Series Flaker Service Parts

This parts list contains the service parts available for the EF Series Flaker icemakers.

**EF250**

**EF450**

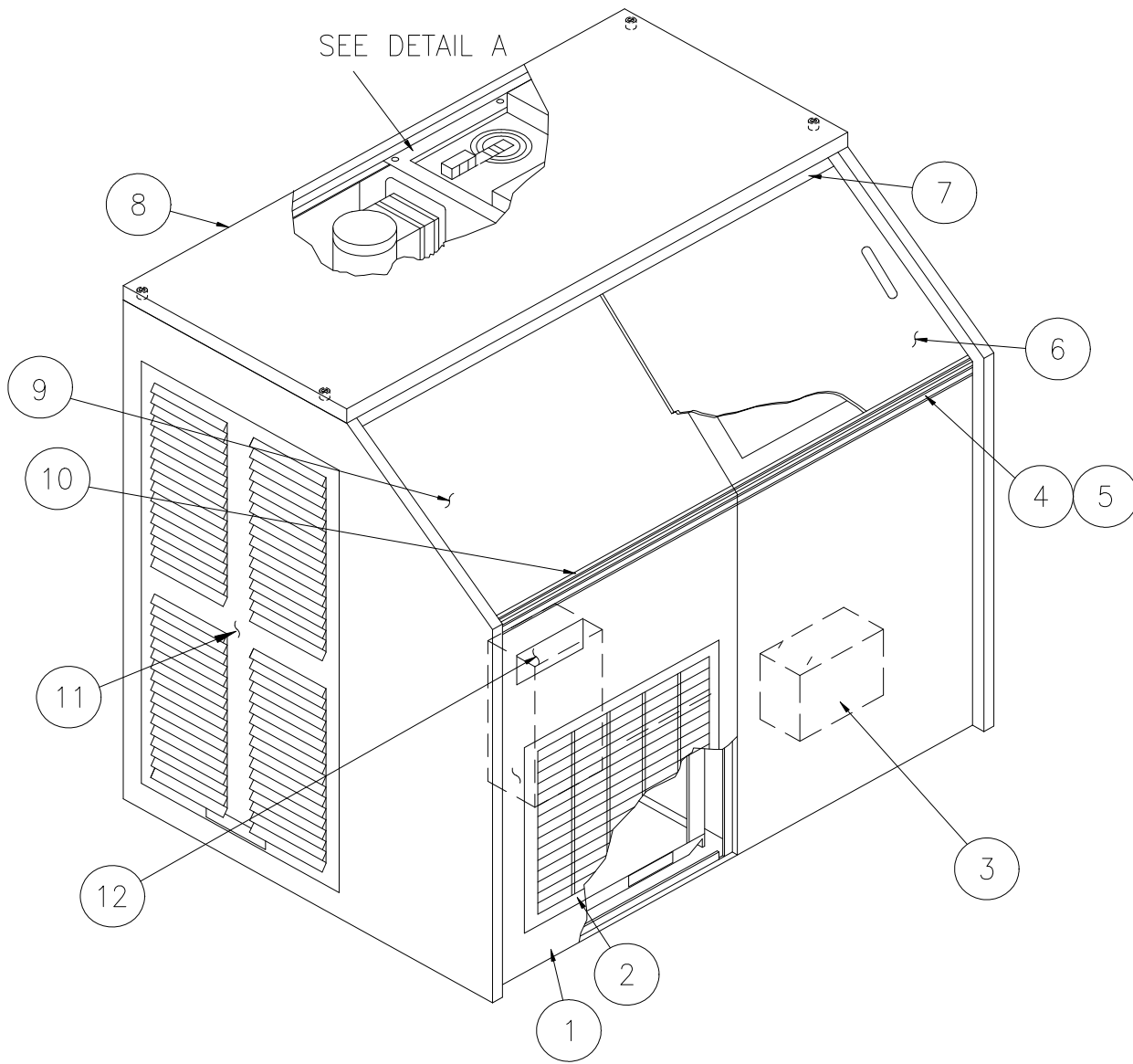
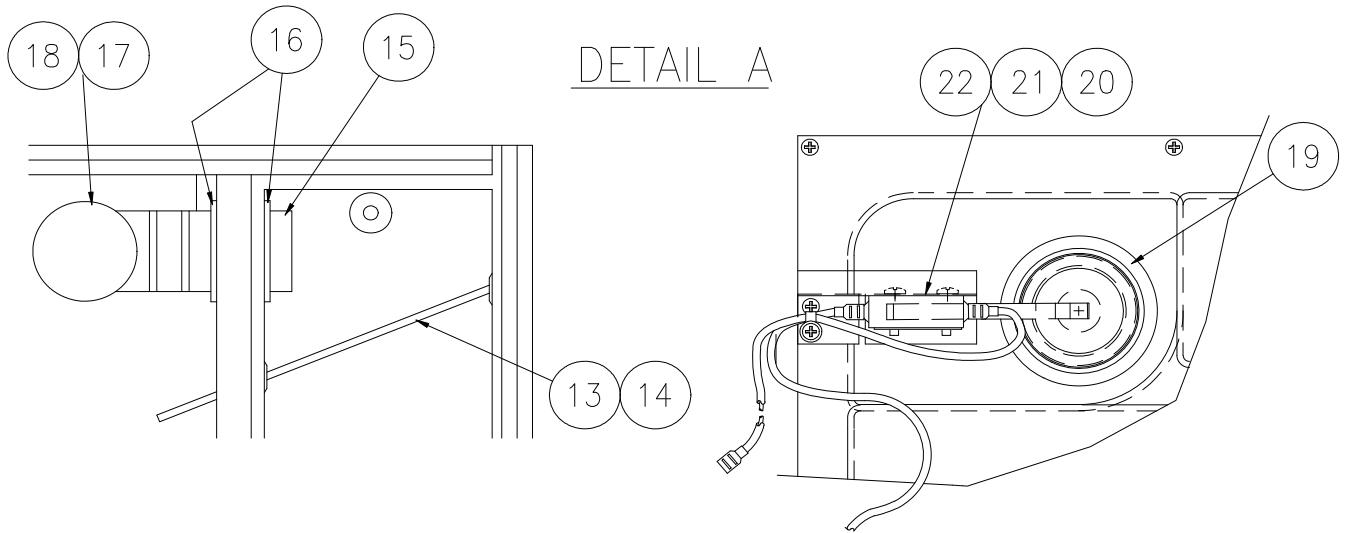
**EF800**

Check the model number on the data plate and refer to the correct listing for the specific component.

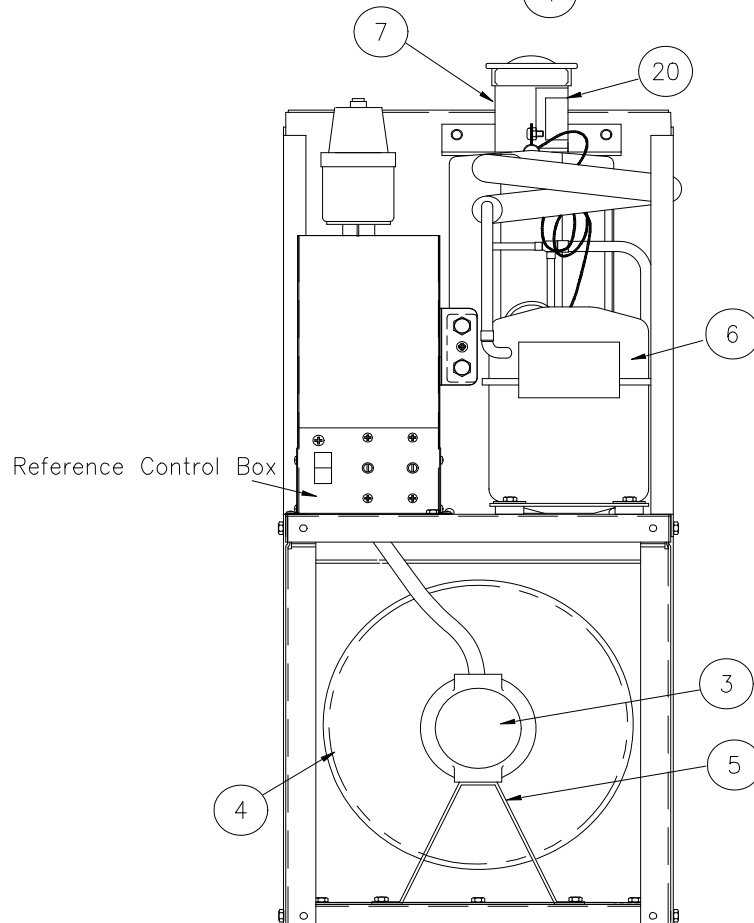
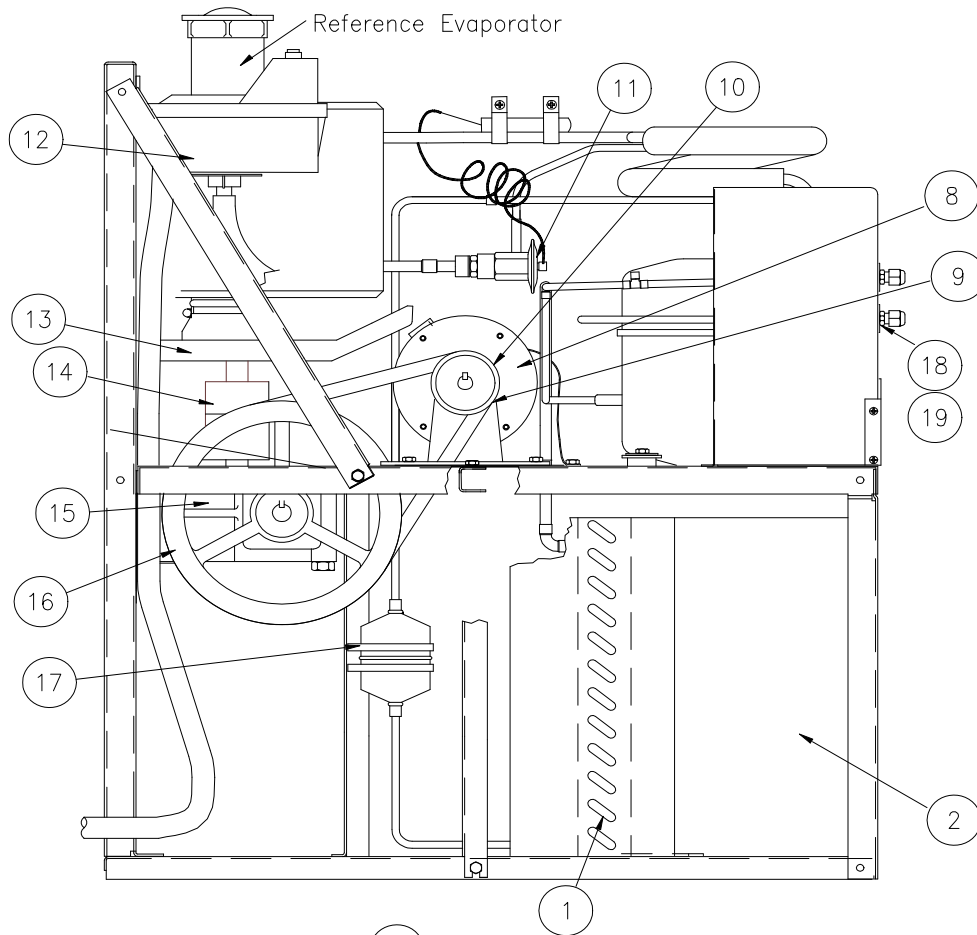
Check carefully that the correct part is identified and ordered.

<b>Table of Contents</b>	<b>Page 1</b>
<b>Cabinet</b>	<b>Page 2 - 3</b>
<b>Refrigeration System</b>	<b>Page 4 - 5</b>
<b>Evaporator</b>	<b>Page 6 - 7</b>
<b>Control Box</b>	<b>Page 8</b>

Ice-O-Matic  
11100 East 45th Ave.  
Denver Co. 80239  
800-423-3367



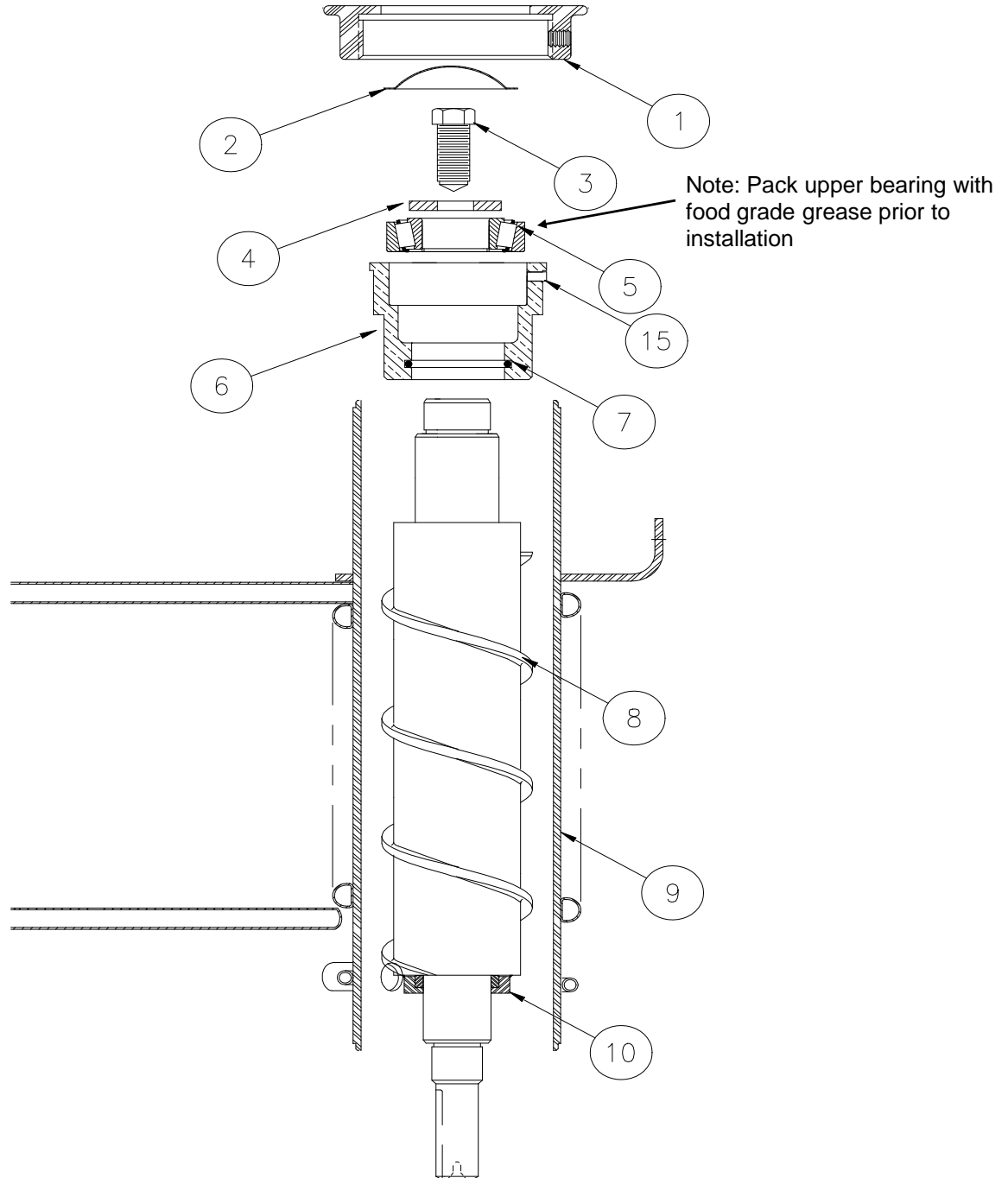
Item	EF250	EF450	EF800	Description
1	2031474-01	2031474-01	2031474-01	Left Hand Front Panel Assembly
2	9051464-01	9051464-01	9051464-01	Louver Panel (Included in 2031474-01)
	9031133-02	9031133-02	9031133-02	Push Nut (Secures Louver Panel)
3	9021095-01	9021095-01	9021095-01	Leg Set (4 Legs)
4	9061034-01	9061034-01	9061034-01	Bottom R/H Door Frame Ext. <b>32"</b> Cabinet
4	9061035-01	9061035-01	9061035-01	Bottom R/H Door Frame Ext. <b>38"</b> Cabinet
4	9061036-01	9061036-01	9061036-01	Bottom R/H Door Frame Ext. <b>48"</b> Cabinet
5	6061001-01	6061001-01	6061001-01	Decorative Trim <b>32"</b> Cabinet-30.5 Inches
5	6061001-01	6061001-01	6061001-01	Decorative Trim <b>38"</b> Cabinet-36.5 Inches
5	6061001-01	6061001-01	6061001-01	Decorative Trim <b>48"</b> Cabinet-46.5 Inches
6	9051093-01	9051093-01	9051093-01	Door Panel <b>32"</b> Cabinet
6	9051093-03	9051093-03	9051093-03	Door Panel <b>38"</b> Cabinet
6	9051093-07	9051093-07	9051093-07	Door Panel <b>48"</b> Cabinet
7	9061029-01	9061029-01	9061029-01	Top Door Frame Extrusion <b>32"</b> Cabinet
7	9061027-01	9061027-01	9061027-01	Top Door Frame Extrusion <b>38"</b> Cabinet
7	9061028-01	9061028-01	9061028-01	Top Door Frame Extrusion <b>48"</b> Cabinet
8	3021252-02	3021252-02	3021252-02	Top Panel <b>32"</b> Cabinet
8	3021230-02	3021230-02	3021230-02	Top Panel <b>38"</b> Cabinet
8	3021272-02	3021272-02	3021272-02	Top Panel <b>48"</b> Cabinet
9	3021232-02	3021232-02	3021232-02	Top L/H Front Panel
10	9061033-01	9061033-01	9061033-01	Bottom L/H Door Frame Ext.
11	3021359-02	3021359-02	3021359-02	Left Hand Access Panel
12	3011795-01	3011795-01	3011795-01	Control Box Cover
13	3031209-02	3031209-02	3031209-02	Bin Control Rod <b>32"</b> Cabinet
13	3031209-03	3031209-03	3031209-03	Bin Control Rod <b>38"</b> Cabinet
13	3031209-04	3031209-04	3031209-04	Bin Control Rod <b>48"</b> Cabinet
14	9051002-10	9051002-10	9051002-10	Rubber Grommet
15	2021164-01	2021164-01	2021164-01	Ice Chute
16	9051239-01	9051239-01	9051239-01	Ice Chute Grommet
17	2991006-01	2991006-01	2991006-01	Legionaire Cap (Insulation)
18	9051011-01	9051011-01	9051011-01	Evaporator Gasket (Chute Gasket)
19	9051206-01	9051206-01	9051206-01	Diaphragm (Secondary Bin Switch)
20	9101338-01	9101338-01	9101338-01	Secondary Bin Switch
21	9031011-01	9031011-01	9031011-01	Twin Speed Nut
22	9031008-29	9031008-29	9031008-29	Machine Screw 6-32 x 7/8



Item	EF250	EF450	EF800	Description
1	9141054-01	9141002-01	9141125-01	Air Condenser
2	2021476-01	2021476-01	3013166-01	Fan Shroud
3	9161045-01	9161045-01	9161045-01	Fan Motor
4	9131133-02	9131133-02	9131384-08	Fan Blade
5	9131054-01	9131054-01	9131054-01	Fan Motor Bracket
6	9181098-11	9181095-11	9181086-11	Compressor
7	2051172-91	2051172-91	2051172-91	Evaporator Assembly
8	9161093-01	9161093-01	9161093-01	Auger Motor
9	9111001-01	9111001-01	9111001-11	V-Belt
10	9111002-29	9111002-29	9111002-05	Auger Motor Pulley
	9021028-01	9021028-01	9021028-01	Auger Motor Pulley Key
11	9151006-09	9151006-09	9151134-09	Expansion Valve
12	9131032-01	9131032-01	9131032-01	Float (Includes Float and Reservoir)
13	9051007-01	9051007-01	9051007-01	Drip Boot
14	2081012-02	2081012-02	2081012-02	Coupling Assembly (5/8 x 3/4)
	9021028-01	9021028-01	9021028-01	Auger or Gear Reducer Output Key
	9111012-91	9111012-91	9111012-91	Upper Coupler Half (5/8)
	9111004-91	9111004-91	9111004-91	Spyder
	9111004-92	9111004-92	9111004-92	Lower Coupler Half (3/4)
15	9171010-04	9171010-04	9171010-04	Gear Reducer
16	9111002-08	9111002-08	9111002-26	Gear Reducer Pulley
	9021028-02	9021028-02	9021028-02	Gear Reducer Pulley Key
17	9151004-02	9151004-02	9151004-02	Drier
18	9091086-02	9091086-02	9091086-02	Service Valve Core
19	9091086-03	9091086-03	9091086-03	Service Valve Cap
20	9051011-01	9051011-01	9051011-01	Evaporator Gasket (Chute Gasket)

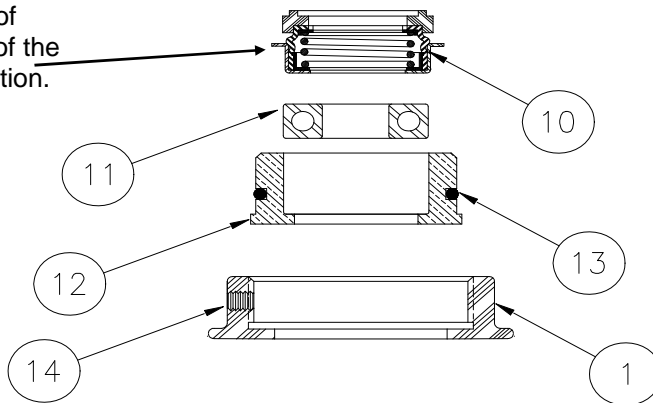
**Compressor Components**

EF250	EF450	EF800	Description
9181098-11	9181095-11	9181086-11	Compressor
9181004-25	9181004-22	9181010-14	Compressor Relay
9181005-34	9181005-31	9181005-12	Overload
N/A	N/A	N/A	Run Capacitor
9181003-38	9181003-03	9181003-17	Start Capacitor



Note: Pack upper bearing with food grade grease prior to installation

Note: Apply a small bead of silicone on the underside of the seal flange prior to installation.



Item	EF250	EF450	EF800	Description
1	9131207-01	9131207-01	9131207-01	Nut-Retaining
2	3011011-01	3011011-01	3011011-01	Evaporator Cap
3	9031001-01	9031001-01	9031001-01	Hex Bolt 1/2-20 x 1"
4	9031004-09	9031004-09	9031004-09	Washer
5	9121039-02	9121039-02	9121039-02	Upper Bearing
6	9131219-01	9131219-01	9131219-01	Upper Bearing Housing
7	9131009-03	9131009-03	9131009-03	O-Ring-Upper
8	9131012-01	9131012-01	9131012-01	Auger
9	2051172-91	2051172-91	2051172-91	Evaporator Assembly <b>(Complete)</b>
	2051171-91	2051171-91	2051171-91	Evaporator Barrel Only (No Internal Components)
10	9121026-01	9121026-01	9121026-01	Seal (Includes Upper and Lower)
11	9121001-06	9121001-06	9121001-06	Lower Bearing
12	9131220-01	9131220-01	9131220-01	Lower Bearing Housing
13	9131009-08	9131009-08	9131009-08	O-Ring-Lower
14	9031033-03	9031033-03	9031033-03	Set Screw 1/4-20
15	9131010-01	9131010-01	9131010-01	Locating Pin

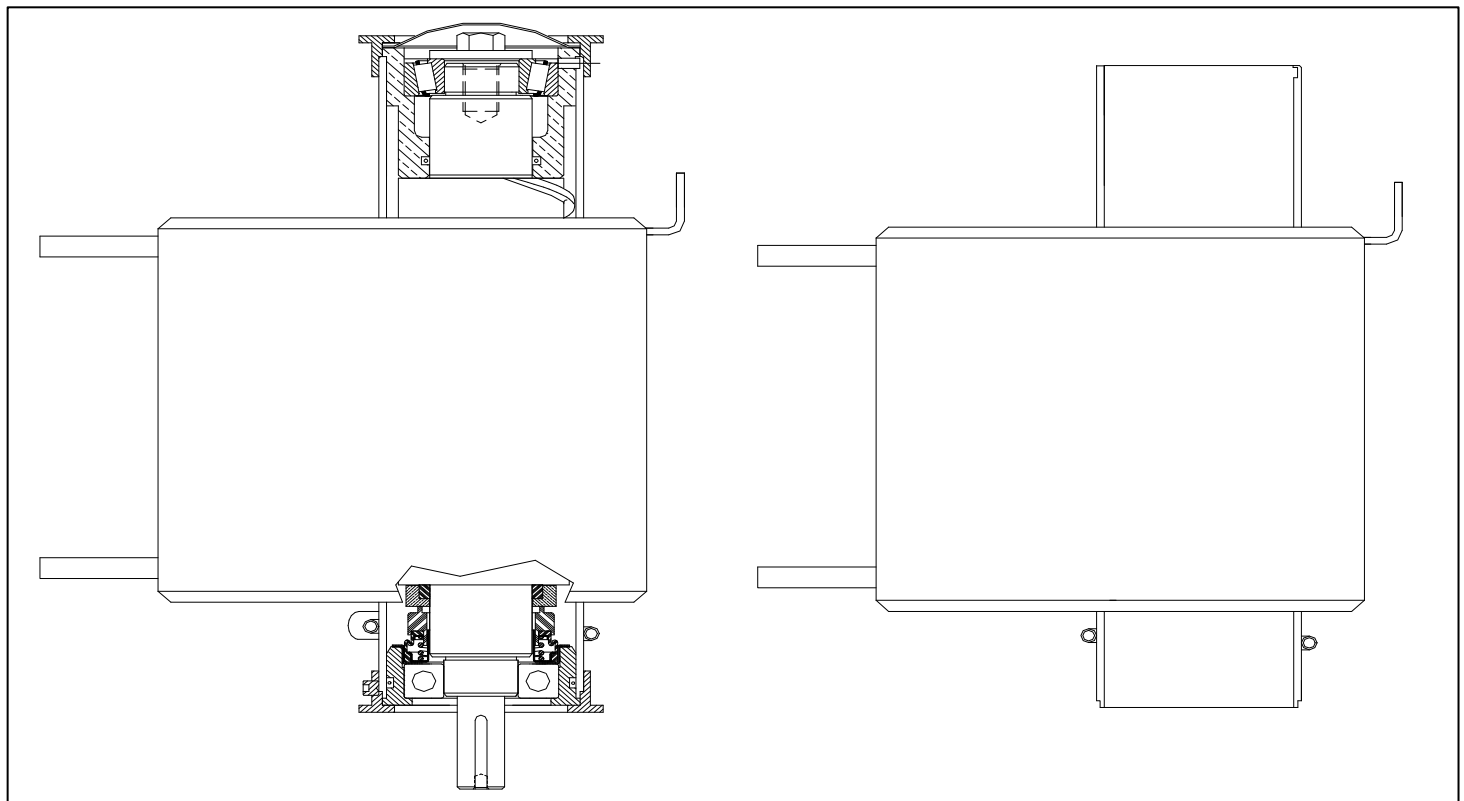
**Note: The Evaporator Assembly includes all internal components.**

Upper Bearing, Housing and O-Ring

Auger and Seal

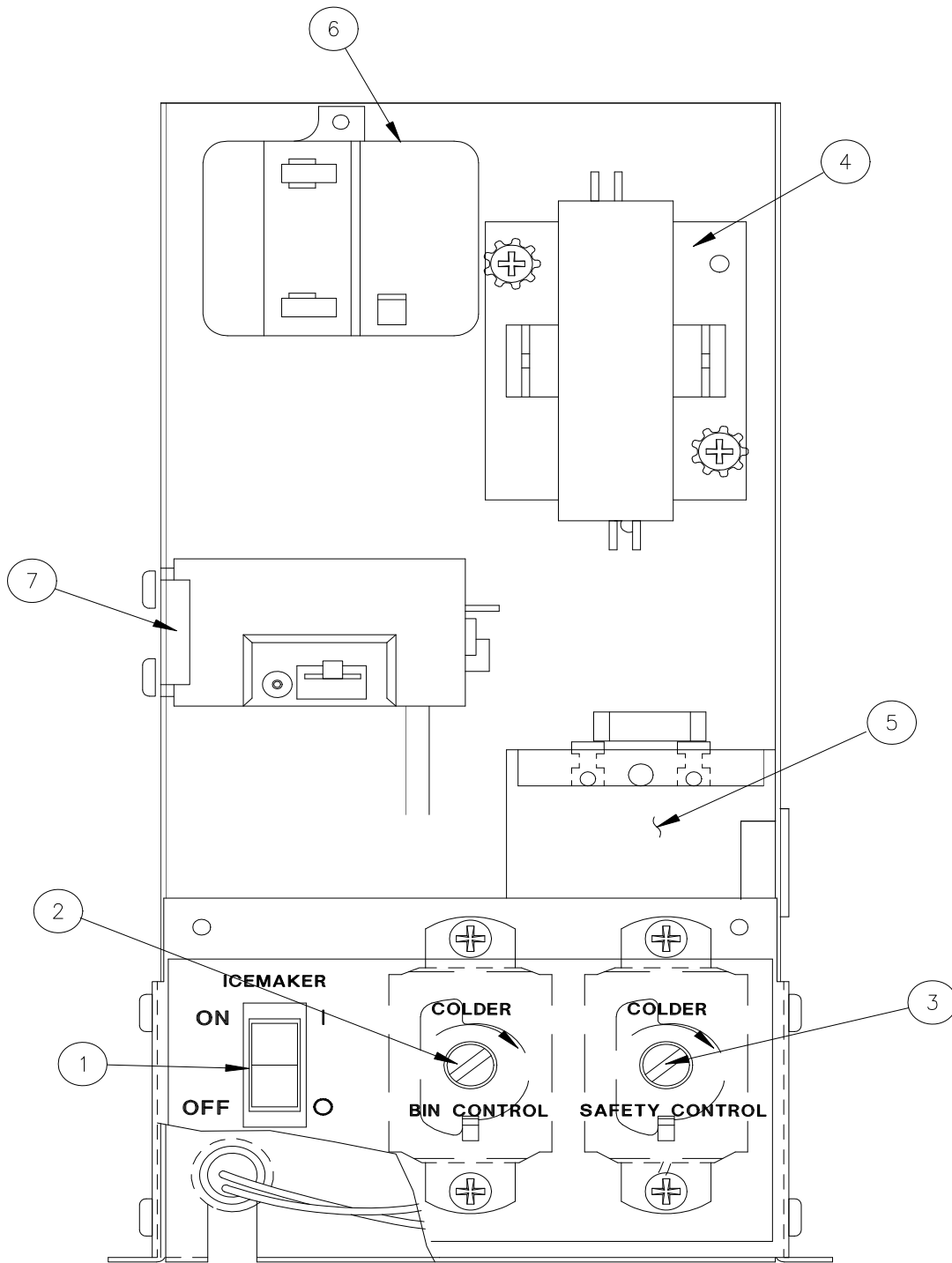
Lower Bearing, Housing, Water Seal and O-Ring

Retaining Nuts



**Evaporator Assembly**

**Evaporator Barrel Only**



Item	EF250	EF450	EF800	Description
1	9101139-04	9101139-04	9101139-04	Rocker Switch (On-Off)
2	9041004-02	9041004-02	9041004-02	Bin Control Thermostat
3	9041002-01	9041002-01	9041002-01	Low Temp Safety Thermostat
4	9101002-03	9101002-03	9101002-03	Contactor
5	N/A	N/A	9181003-17	Start Capacitor
6	N/A	N/A		Potential Relay
7	9041095-01	N/A	N/A	High Pressure Control
8	3011795-01	3011795-01	3011795-01	Control Box Cover-Not Shown