

Ice-O-Matic®

VRC Remote Condensers



Features

- Designed for use with remote-cooled Cube and Flake ice machines that produce from 591 lbs (269 kg) to 2376 lbs (1079 kg) of ice per day.
- Environmentally responsible - All VRC model condensers use R404A, an approved non-ozone depleting refrigerant.
- Constructed from sturdy, corrosion-resistant galvanized steel. Reduces air conditioning requirements and cost
- Fan is located away from the Ice maker ensuring quiet operation for customers

Required Accessories

Model Number	Description	Shipping Weight lbs (kg)
RT-325-404	25 ft (7.6 m) Precharged Tubing Kit for R404A models	13 (6)
RT-340-404	40 ft (12.0 m) Precharged Tubing Kit for R404A models	18 (8)
RT-345-404	45 ft (13.7 m) Precharged Tubing Kit for R404A models	19 (9)
RT-360-404	60 ft (18.2 m) Precharged Tubing Kit for R404A models	26 (12)
RT-375-404	75 ft (22.9 m) Precharged Tubing Kit for R404A models	35 (16)

(Note: Specify length when ordering)

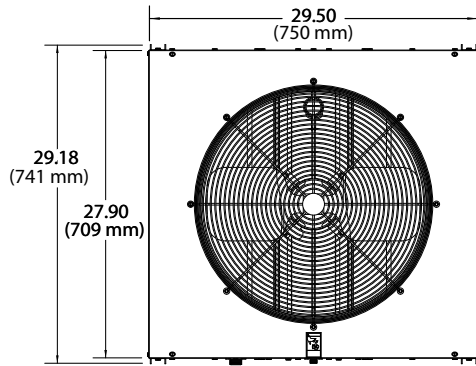
Specifications

Model Number	Description	Voltage Characteristics	Shipping Weight lbs (kg)
VRC-1001B	Remote Condenser for one model ICE0500	115/60/1	122 (55)
VRC-1061B	Remote Condenser for one model ICE0606/EMF1106	208-230/50-60/1	124 (56)
VRC-2061B	Remote Condenser for one model ICE0806/ICE1006/ ICE1007/EMF2306	208-230/50-60/1	124 (56)
VRC-2661B	Remote Condenser for one model ICE1407, ICE1406, ICE1405, ICE1506	208-230/50-60/1	126 (57)
VRC-5061B	Remote Condenser for one model ICE1806, ICE1807, ICE2106, ICE2107	208-230/50-60/1	145 (66)

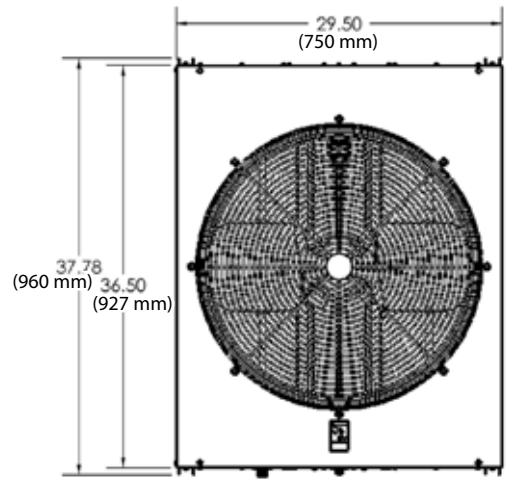


Ice-O-Matic®

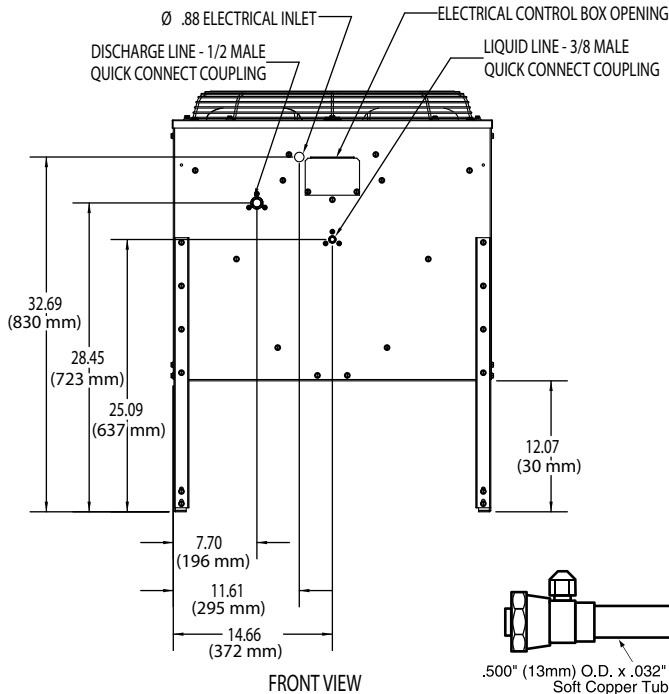
VRC Remote Condensers



TOP VIEW--VRC1001B, 1061B, 2061B, 2661B

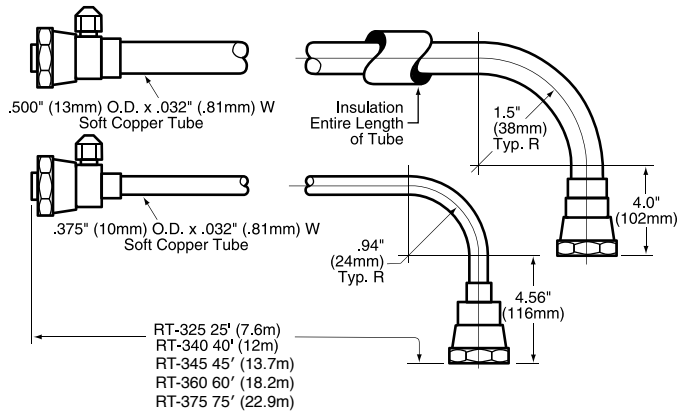
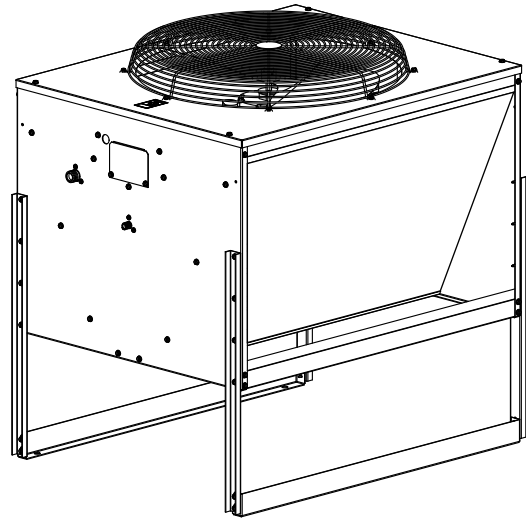


TOP VIEW--VRC5061B



FRONT VIEW

Vertical Air Flow Only



NOTES:
 Number of Wires: 3 (including ground)
 Refrigerant Type: R404A