

Ice-O-Matic®

Ice. Pure and Simple™

SERVICE PARTS MANUAL

MODELS-ICE1806W4,W5,W6,-R4,R5,R6,R7

MODELS ICE1807W4,W5,W6-R4,R5,R6

MODELS-ICE2106 W4,W5-R4,R5,R6,R7

MODELS ICE2006W

MODELS ICE2107W4,W5 R4,R5

Includes 3 Phase Units



14-1027-A

Date 02/11/2019

ICE1800 and 2100 Series Version Service Parts

This parts list contains the service parts available for the following icemakers.

Models - ICE1806W4,W5,W6 - R4,R5,R6,R7,R8

Models - ICE1807W4,W5,W6 - R4,R5,R6

Models - ICE2106W4,W5 - R4,R5,R6,R7

Models - ICE2107W4,W5 - R4,R5

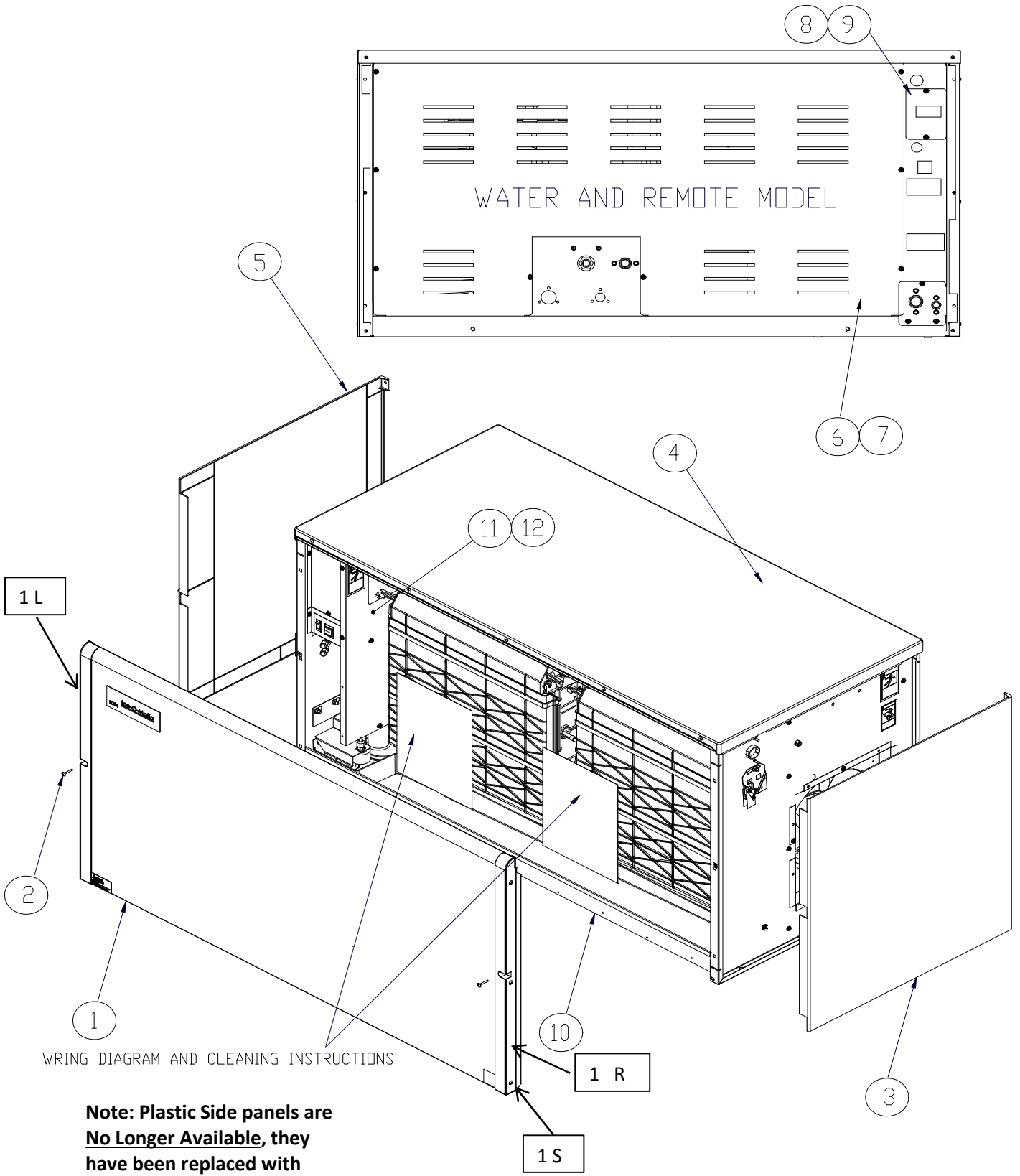
Models - ICE2006W

Check the model number on the data plate and refer to the correct listing for the specific component.

Check carefully that the correct part is identified and ordered.

Table of Contents	Page 1
Exterior Panels	Page 2-3
Water Cooled	Page 4-7
Remote	Page 8-9
Control Box	Page 10-11
Harvest Assist	Page 12-13
Water Pump/Float	Page 14-15
VRC Condenser	Page 16-17
Compressor	Page 18

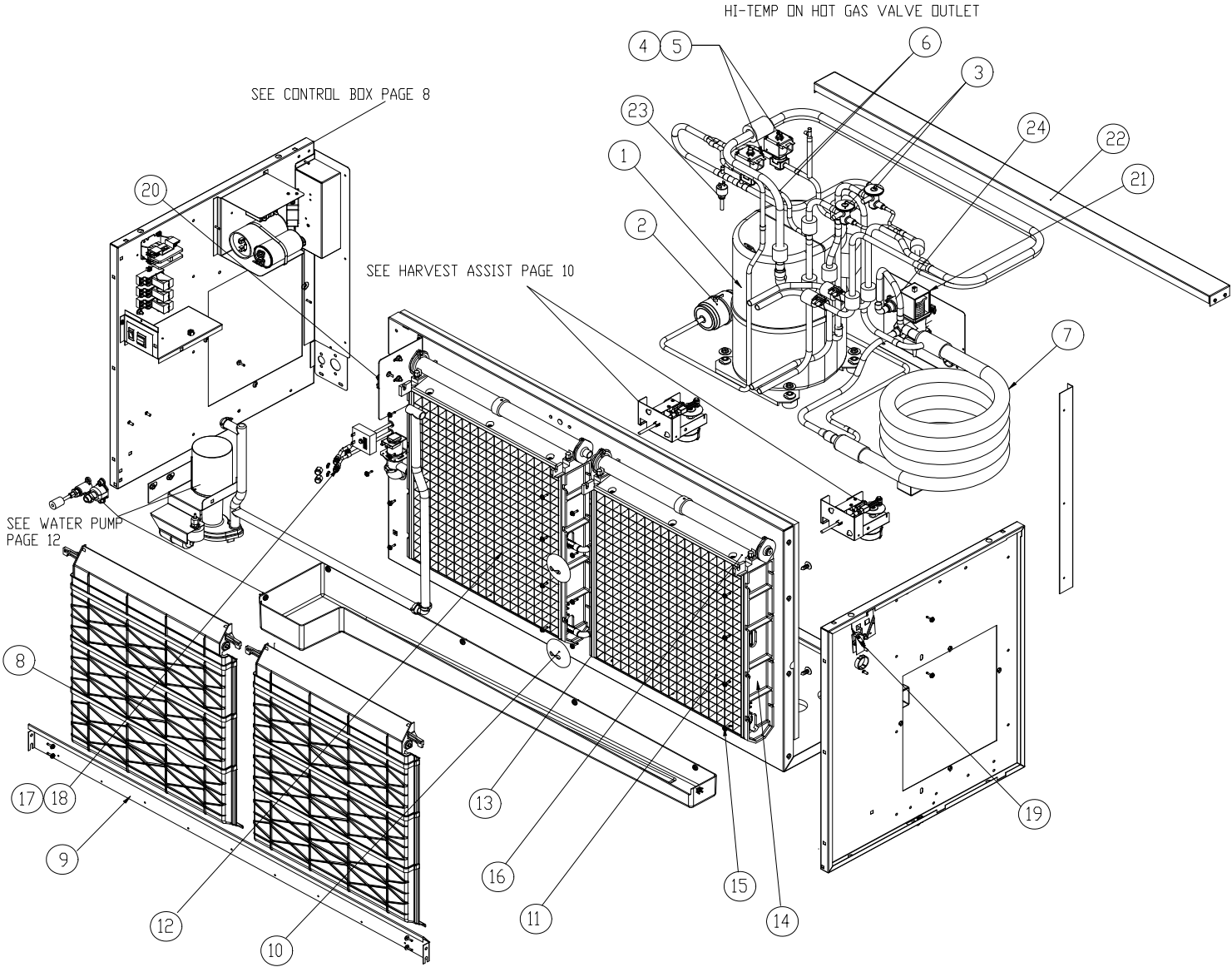
**Ice-O-Matic
11100 East 45th Ave.
Denver Co. 80239
800-423-3367**



WRING DIAGRAM AND CLEANING INSTRUCTIONS

Note: Plastic Side panels are No Longer Available, they have been replaced with Metal Panels

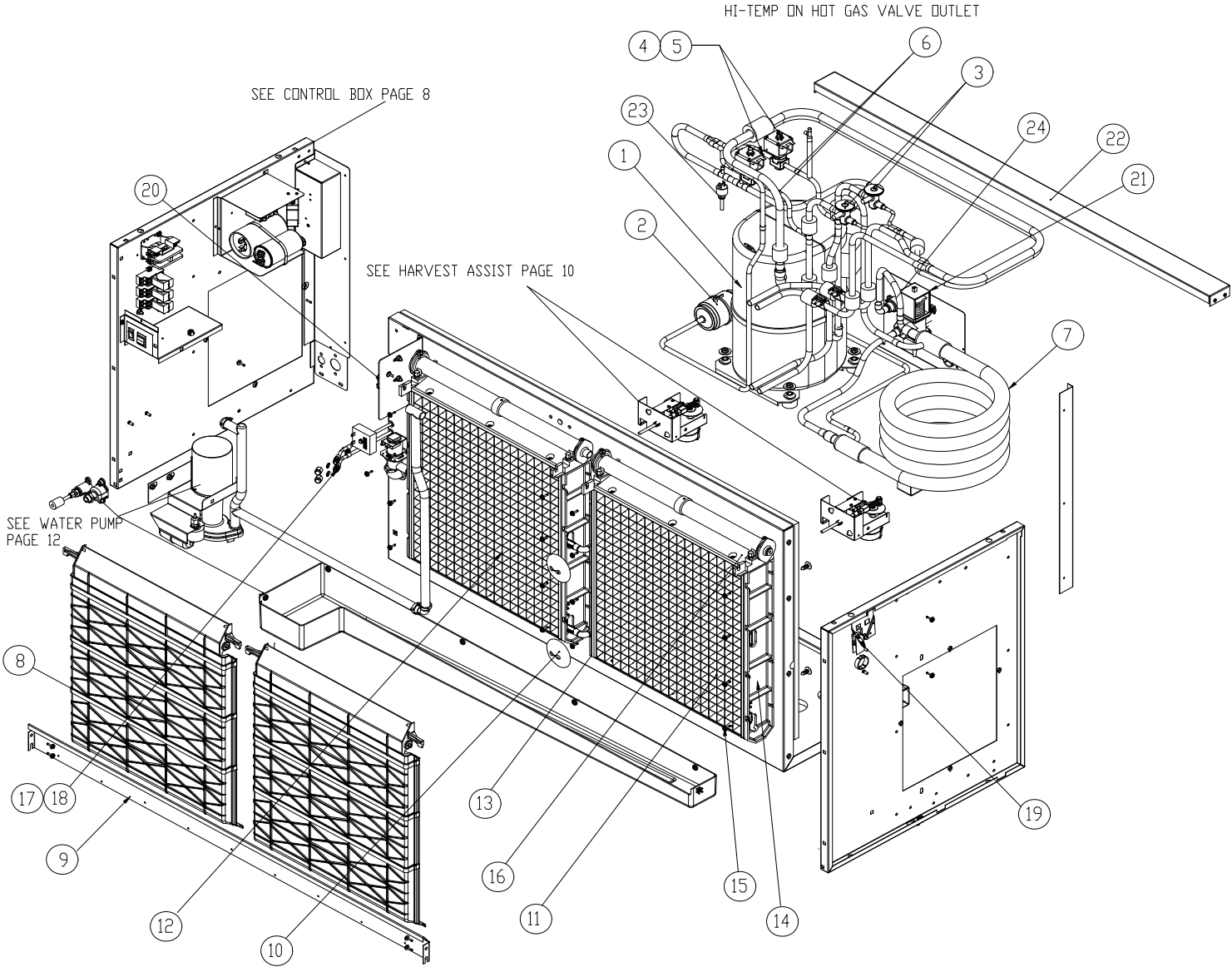
Item No.	Model Number					Description
	ICE1806	ICE1807	ICE2106	ICE2006	ICE2107	
1	2031511-03	2031511-03	2031511-03	2031511-03	2031511-03	Front Panel
1L	9051562-04	9051562-04	9051562-04	9051562-04	9051562-04	End Cap - Left Hand
1R	9051562-03	9051562-03	9051562-03	9051562-03	9051562-03	End Cap - Right Hand
1S	9031098-02P	9031098-02P	9031098-02P	9031098-02P	9031098-02P	End Cap Screw (Pack of 25 ea.) (Qty 3 Per Side)
2	9031098-02P	9031098-02P	9031098-02P	9031098-02P	9031098-02P	Front Panel Screws (Pack of 25 ea.)
3	3021969-02	3021969-02	3021969-02	3021969-02	3021969-02	Right Side Panel-Water and Remote Only (Metal)
4	2101430-01	2101430-01	2101430-01	2101430-01	2101430-01	Top Panel
5	3021969-02	3021969-02	3021969-02	3021969-02	3021969-02	Left Side Panel-Water and Remote Only (Metal)
6	3021926-01	3021926-01	3021926-01	3021926-01	3021926-01	Rear Panel
7	9031046-01	9031046-01	9031046-01	9031046-01	9031046-01	Rear Cover Panel Screws
8	3013308-01	3013308-01	3013308-01	3013308-01	3013308-01	Junction Box Cover
9	9031046-01	9031046-01	9031046-01	9031046-01	9031046-01	Junction Box Cover Screws
10	3013315-01	3013315-01	3013315-01	3013315-01	3013315-01	Ice Deflector
11	3013294-01	3013294-01	3013294-01	3013294-01	3013294-01	Control Box Top Cover
12	3013293-01	3013293-01	3013293-01	3013293-01	3013293-01	Control Box Side Cover



Item No.	Model Number					Description
	ICE1806W4	ICE1806W5	ICE1806W6	ICE1807W4	ICE1806W5/6	Ice Machine Model Number
1	9181108-11	9181143-11	9181143-11	9181108-12	9181143-13	Compressor (RED is NLA See Note Below)
	9181143-11	9181143-11	9181143-11	9181143-13	9181143-13	Replaces RED Above
2	9151163-02	9151163-02	9151163-02	9151163-02	9151163-02	Filter Drier (Replaces 9151004-03)
3	9151152-101	9151152-101	9151152-101	9151152-101	9151152-101	Expansion Valve (Valve, Insl. and Clamp)
4	9151123-02	9151123-02	9151123-02	9151123-02	9151123-02	Hot Gas Valve Body
5	9151123-04	9151123-04	9151123-04	9151123-04	9151123-04	Hot Gas Valve Coil
6	9041098-01	9041098-01	9041098-01	9041098-01	9041098-01	High Temperature Safety Control
7	9141123-01	9141123-01	9141123-01	9141123-01	9141123-01	Water Condenser
8	9051154-12	9051154-12	9051154-12	9051154-12	9051154-12	Evaporator Splash Curtain
9	3013315-01	3013315-01	3013315-01	3013315-01	3013315-01	Ice Deflector
10	9051237-02	9051237-02	9051237-02	9051237-02	9051237-02	Washer Tube
11	2051250-81A	2051250-81A	2051250-81A	2051250-81A	2051250-81A	Evaporator Right Side Full Cube
11	2051250-82A	2051250-82A	2051250-82A	2051250-82A	2051250-82A	Evaporator Right Side Half Cube
12	2051251-81A	2051251-81A	2051251-81A	2051251-81A	2051251-81A	Evapoartor Left Side Full Cube
12	2051251-82A	2051251-82A	2051251-82A	2051251-82A	2051251-82A	Evapoartor Left Side Half Cube
13	9051170-04	9051170-04	9051170-04	9051170-04	9051170-04	Evaporator Left Side Mounting Panel
14	9051170-03	9051170-03	9051170-03	9051170-03	9051170-03	Evaporator Right Side Mounting Panel
15	9051135-04	9051135-04	9051135-04	9051135-04	9051135-04	Water return
16	9051135-05	9051135-05	9051135-05	9051135-05	9051135-05	Spillway
17	9091086-02	9091086-02	9091086-02	9091086-02	9091086-02	Valve Core
17A	9091086-01	9091086-01	9091086-01	9091086-01	9091086-01	Valve Body
18	9091086-03	9091086-03	9091086-03	9091086-03	9091086-03	Valve Cap
19	9101124-02	9101124-02	9101124-02	9101124-02	9101124-02	Bin Switch Right Side (Cut Arm)
20	9101124-02	9101124-02	9101124-02	9101124-02	9101124-02	Bin Switch Left Side (Cut Arm)
21	9041056-01	9041056-01	9041056-01	9041056-01	9041056-01	Water Regulating Valve
22	3013316-01	3013316-01	3013316-01	3013316-01	3013316-01	Rear Brace
23	9041111-01	9041111-01	9041111-01	9041111-01	9041111-01	High Pressure Control 9041091-01 is Obsolete
24	9091063-02	9091063-02	9091063-02	9091063-02	9091063-02	Condenser Drain Fitting

See Page 18 for Specific Compressor

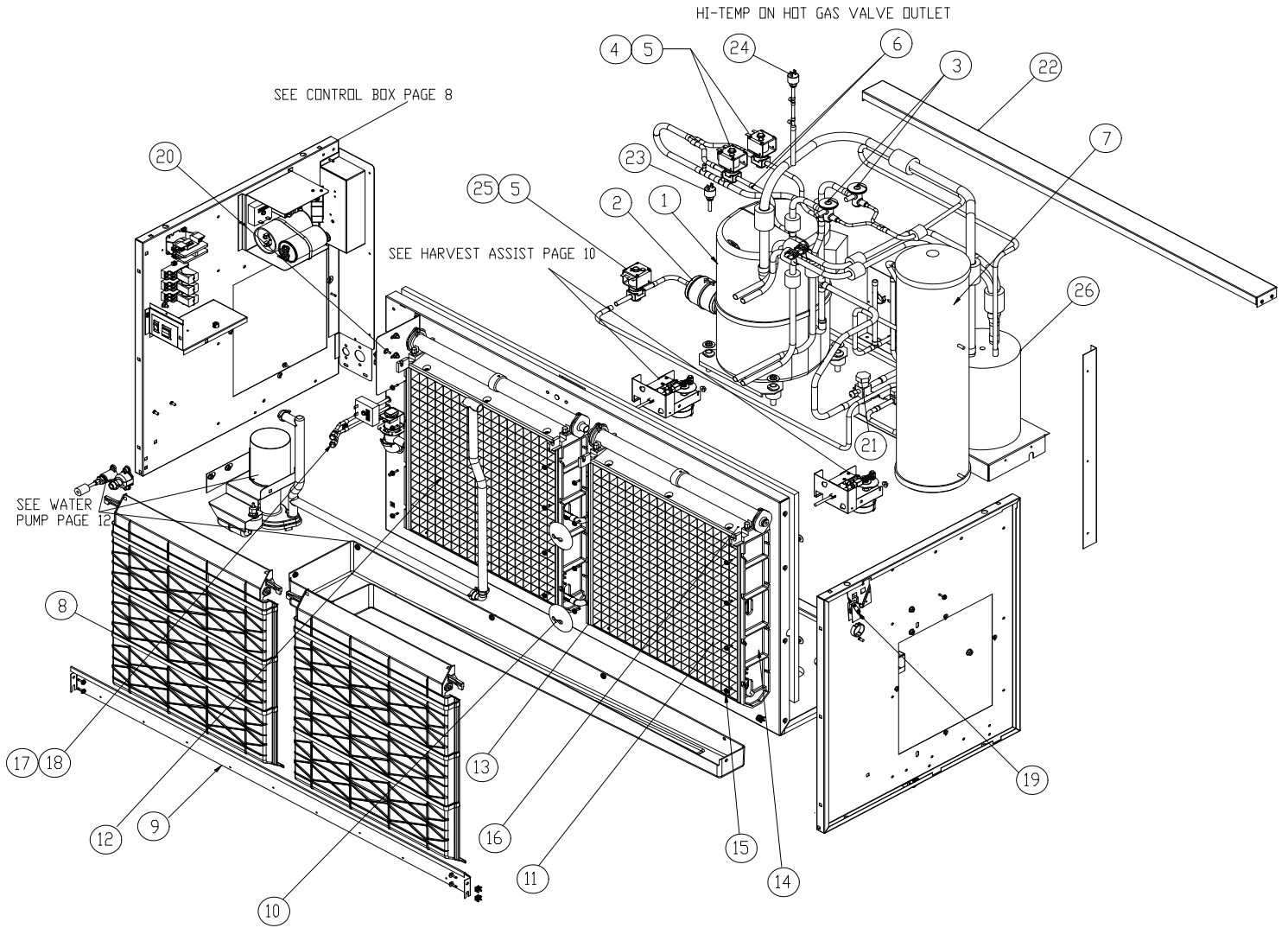
Components Evaporators with an "A" suffix include elbows.



Item No.	Model Number					Description
	ICE2106W4	ICE2106W5	ICE2107W4	ICE2107W5	ICE2006W	Ice Machine Model Number
1	9181129-11	9181144-11	9181129-12	9181144-12	9181150-11	Compressor (RED is NLA See Note Below)
	9181144-11	9181144-11	9181144-12	9181144-12	1051243-06	Replaces RED Above
2	9151163-02	9151163-02	9151163-02	9151163-02	9151163-02	Filter Drier (Replaces 9151004-03)
3	9151152-101	9151152-101	9151152-101	9151152-101	9151152-101	Expansion Valve (Valve, Insl. and Clamp)
4	9151123-02	9151123-02	9151123-02	9151123-02	9151123-02	Hot Gas Valve Body
5	9151123-04	9151123-04	9151123-04	9151123-04	9151123-04	Hot Gas Valve Coil
6	9041098-01	9041098-01	9041098-01	9041098-01	9041098-01	High Temperature Safety Control
7	9141123-01	9141123-01	9141123-01	9141123-01	9141123-01	Water Condenser
8	9051154-12	9051154-12	9051154-12	9051154-12	9051154-12	Evaporator Splash Curtain
9	3013315-01	3013315-01	3013315-01	3013315-01	3013315-01	Ice Deflector
10	9051237-02	9051237-02	9051237-02	9051237-02	9051237-02	Washer Tube
11	2051250-81A	2051250-81A	2051250-81A	2051250-81A		Evaporator Right Side Full Cube
11	2051250-82A	2051250-82A	2051250-82A	2051250-82A		Evaporator Right Side Half Cube
12	2051251-81A	2051251-81A	2051251-81A	2051251-81A		Evapoartor Left Side Full Cube
12	2051251-82A	2051251-82A	2051251-82A	2051251-82A		Evapoartor Left Side Half Cube
					2051250-83	Evaporator Right Side Full Cube
					2051251-81A	Evapoartor Left Side Full Cube
					2051250-84	Evaporator Right Side Half Cube
					2051251-82A	Evapoartor Left Side Half Cube
					2051257-81	Evaporator Right Side Half Cube N
					8051258-81	Evapoartor Left Side Half Cube N
13	9051170-04	9051170-04	9051170-04	9051170-04	9051170-04	Evaporator Left Side Mounting Panel
14	9051170-03	9051170-03	9051170-03	9051170-03	9051170-03	Evaporator Right Side Mounting Panel
15	9051135-04	9051135-04	9051135-04	9051135-04	9051135-04	Water return
16	9051135-05	9051135-05	9051135-05	9051135-05	9051135-05	Spillway
17	9091086-02	9091086-02	9091086-02	9091086-02	9091086-02	Valve Core
17A	9091086-01	9091086-01	9091086-01	9091086-01	9091086-01	Valve Body
18	9091086-03	9091086-03	9091086-03	9091086-03	9091086-03	Valve Cap
19	9101124-02	9101124-02	9101124-02	9101124-02	9101124-02	Bin Switch Right Side (Cut Arm)
20	9101124-02	9101124-02	9101124-02	9101124-02	9101124-02	Bin Switch Left Side (Cut Arm)
21	9041056-01	9041056-01	9041056-01	9041056-01	9101124-02	Water Regulating Valve
22	3013316-01	3013316-01	3013316-01	3013316-01	3013316-01	Rear Brace
23	9041111-01	9041111-01	9041111-01	9041111-01	9041111-01	High Pressure Control 9041091-01 is Obsolete
24	9091063-02	9091063-02	9091063-02	9091063-02	9091063-02	Condenser Drain Fitting

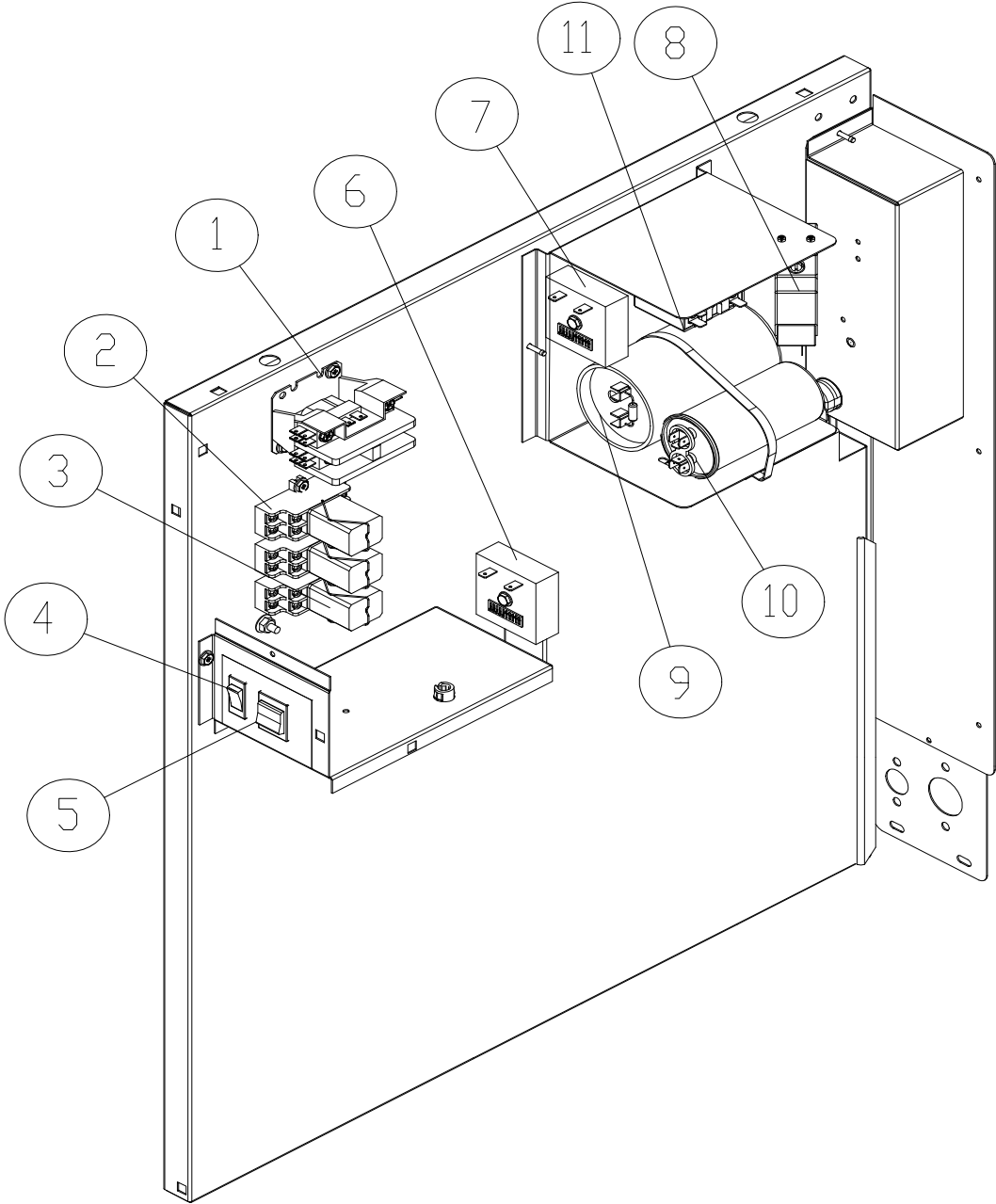
See Page 18 for Specific Compressor Components

Evaporators with an "A" suffix include elbows.



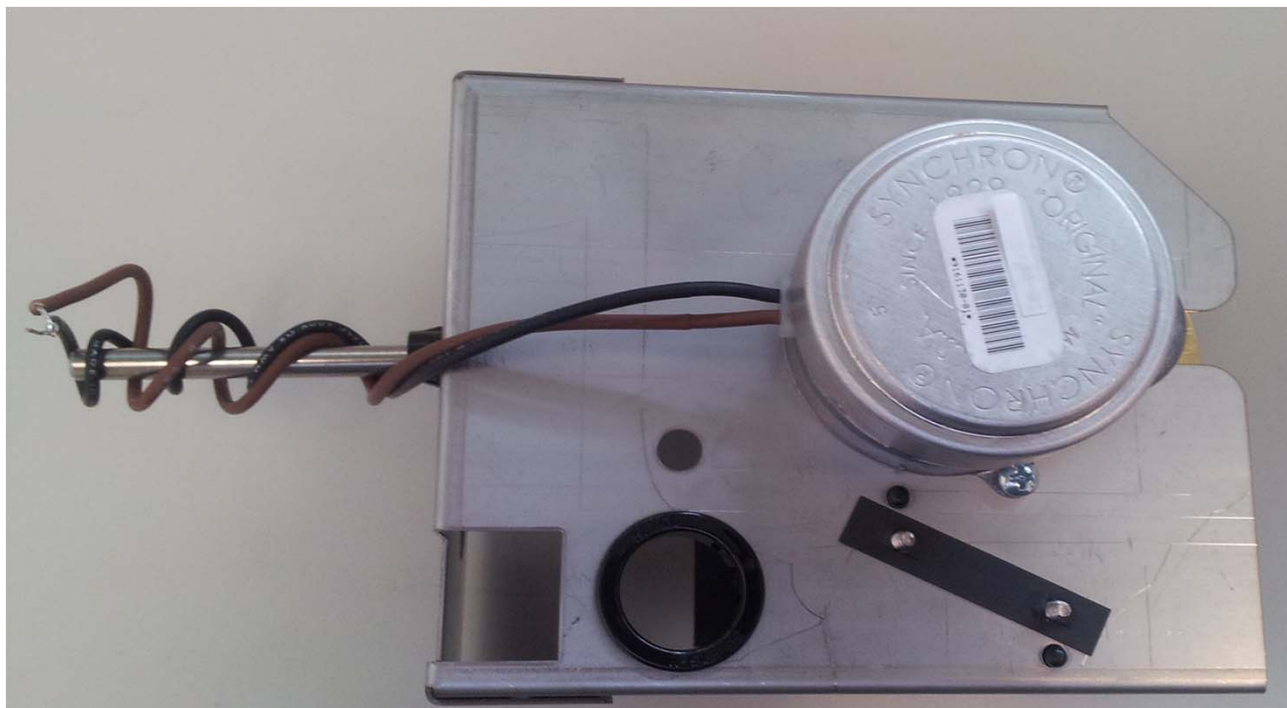
Item No.	Model Number				Description
1	ICE1806R4	ICE1806R5	ICE1806R6	ICE1806R7	Ice Machine Model Number
	9181108-11	9181143-11	9181143-11	9181183-11	Compressor (RED is NLA See Note Below)
	9181143-11	9181143-11	9181143-11	1051243-04	Replaces RED Above
1	ICE1807R4	ICE1807R5	ICE1807R6	ICE1806R8	Ice Machine Model Number
	9181108-12	9181143-13	9181143-13	9181143-13	Compressor (RED is NLA See Note Below)
	9181143-13	9181143-13	9181143-13	9181143-13	Replaces RED Above
1	ICE2106R4	ICE2106R5	ICE2106R6	ICE2106R7	Ice Machine Model Number
	9181129-11	9181144-11	9181144-11	9181150-11	Compressor (RED is NLA See Note Below)
	9181144-11	9181144-11	9181144-11	1051243-05	Replaces RED Above
1		ICE2107R4	ICE2107R5		Ice Machine Model Number
		9181129-12	9181144-12		Compressor (RED is NLA See Note Below)
		9181144-12	9181144-12		Replaces RED Above
2	9151163-02	9151163-02	9151163-02	9151163-02	Filter Drier (Replaces 9151004-03)
3	9151152-101	9151152-101	9151152-101	9151152-101	Expansion Valve (Includes Valve, Insulation and Clamp)
4	9151123-02	9151123-02	9151123-02	9151123-02	Hot Gas Valve Body
5	9151123-04	9151123-04	9151123-04	9151123-04	Hot Gas Valve Coil
6	9041098-01	9041098-01	9041098-01	9041098-01	High Temperature Safety Control
7	9151109-01	9151109-01	9151109-01	9151109-01	Receiver
8	9051154-12	9051154-12	9051154-12	9051154-12	Evaporator Splash Curtain
9	3013315-01	3013315-01	3013315-01	3013315-01	Ice Deflector
10	9051237-02	9051237-02	9051237-02	9051237-02	Washer Tube
11	2051250-81	2051250-81	2051250-81	2051250-81	Evaporator Right Side Full Cube (Replaces 2051239-81)
11	2051250-82	2051250-82	2051250-82	2051250-82	Evaporator Right Side Half Cube (Replaces 2051239-82)
12	2081251-81	2051251-81	2051251-81	2051251-81	Evapoartor Left Side Full Cube (Replaces 2051240-81)
12	2051251-82	2051251-82	2051251-82	2051251-82	Evapoartor Left Side Half Cube (Replaces 2051240-82)
13	9051170-04	9051170-04	9051170-04	9051170-04	Evaporator Left Side Mounting Panel
14	9051170-03	9051170-03	9051170-03	9051170-03	Evaporator Right Side Mounting Panel
15	9051135-04	9051135-04	9051135-04	9051135-04	Water Return
16	9051135-05	9051135-05	9051135-05	9051135-05	Spillway
17	9091086-02	9091086-02	9091086-02	9091086-02	Valve Core
17A	9091086-01	9091086-01	9091086-01	9091086-01	Valve Body
18	9091086-03	9091086-03	9091086-03	9091086-03	Valve Cap
19	9101124-02	9101124-02	9101124-02	9101124-02	Bin Switch Right Side (Cut Arm)
20	9101124-02	9101124-02	9101124-02	9101124-02	Bin Switch Left Side (Cut Arm)
21	9091143-02	9091143-02	9091143-02	9091143-02	Remote Shut-Off Valve (Large)
	9091143-01	9091143-01	9091143-01	9091143-01	Remote Shut-Off Valve (Small)
22	3013316-01	3013316-01	3013316-01	3013316-01	Rear Brace
23	9041111-01	9041111-01	9041111-01	9041111-01	High Pressure Control 9041091-01 is Obsolete
24	9041092-02	9041092-02	9041092-02	9041092-02	Pump Down Control
25	9151123-02	9151123-02	9151123-02	9151123-02	Liquid Line Solenoid
26	2101421-01	2101421-01	2101421-01	2101421-01	Accumulator Assembly
	9091001-12	9091001-12	9091001-12	9091001-12	1/2 Inch Coupling (Not Shown)
	9091001-11	9091001-11	9091001-11	9091001-11	3/8 Inch Coupling (Not Shown)
	9151139-01	9151139-01	9151139-01	9151139-01	Check Valve (Not Shown)

See Page 9 for Specific Compressor Components



Item No.	Model Number						Description
	ICE1806	ICE1806R8	ICE1807	ICE2106	ICE2006	ICE2107	
1	9101002-06	9101002-06	9101079-02	9101002-06	9101002-06	9101079-02	Contactator
2	9101083-01	9101083-01	9101083-01	9101083-01	9101083-01	9101083-01	Relay Base
3	9101084-02	9101084-02	9101084-02	9101084-02	9101084-02	9101084-02	Relay
4	9101139-03	9101139-03	9101139-03	9101139-03	9101139-03	9101139-03	Purge Switch (9101348-01 is NLA)
	9101139-03	9101139-03	9101139-03	9101139-03		9101139-03	Purge Switch (1051208-01 is NLA)
5	9101195-01	9101195-01	9101195-01	9101195-01	9101195-01	9101195-01	ICE-OFF-WASH Switch (9101349-01 is NLA)
6	9101148-01	9101148-01	9101148-01	9101148-01	9101148-01	9101148-01	Timer
7	9101148-01	9101148-01	9101148-01	9101148-01	NA	9101148-01	Timer (6 Minute-Remote only)
8	9041104-101A	9041104-101A	9041104-101A	9041104-101A	9041104-101A	9041104-101A	Low Pressure Control (Replaces 9041094)

See Page 18 for Specific Compressor Application and Components

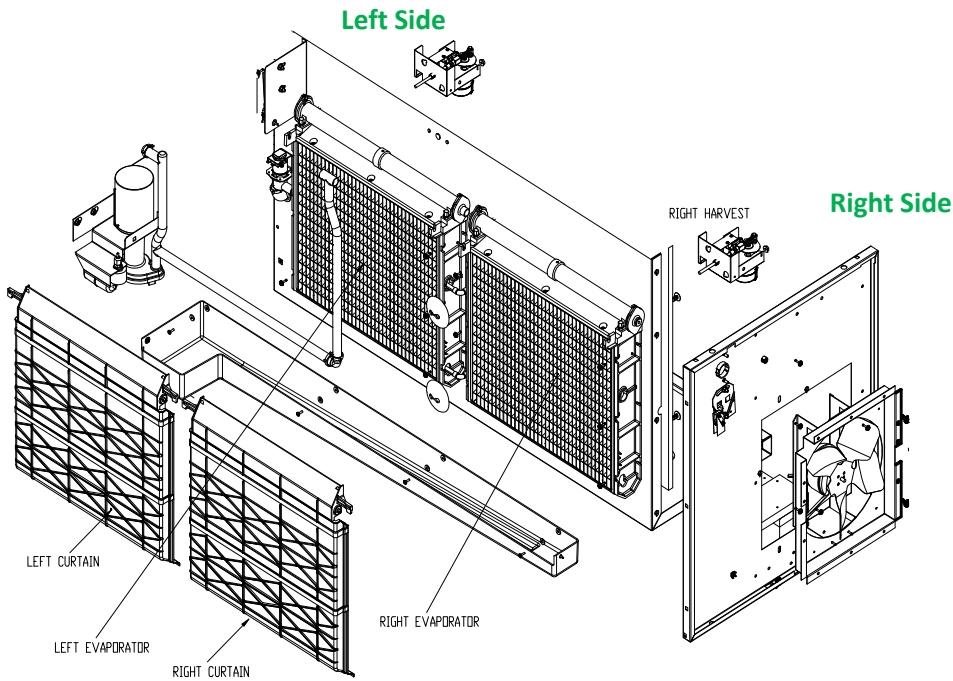
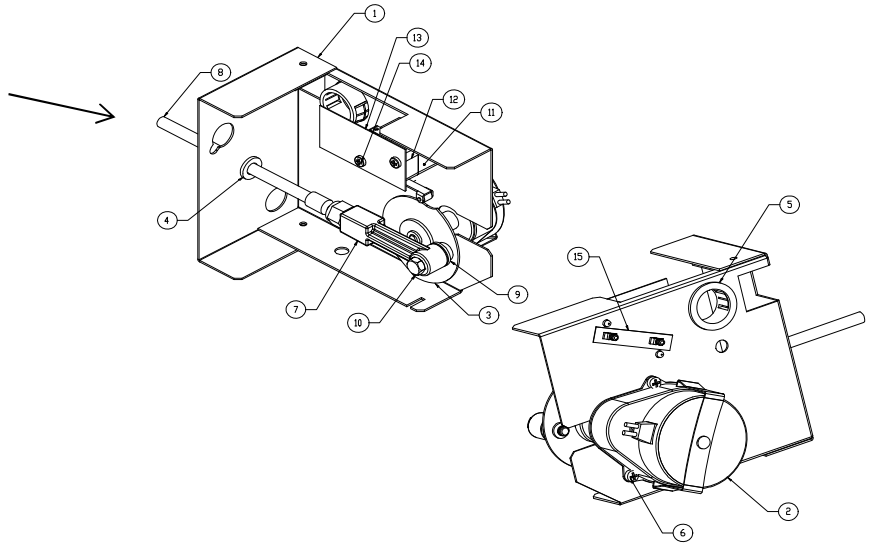


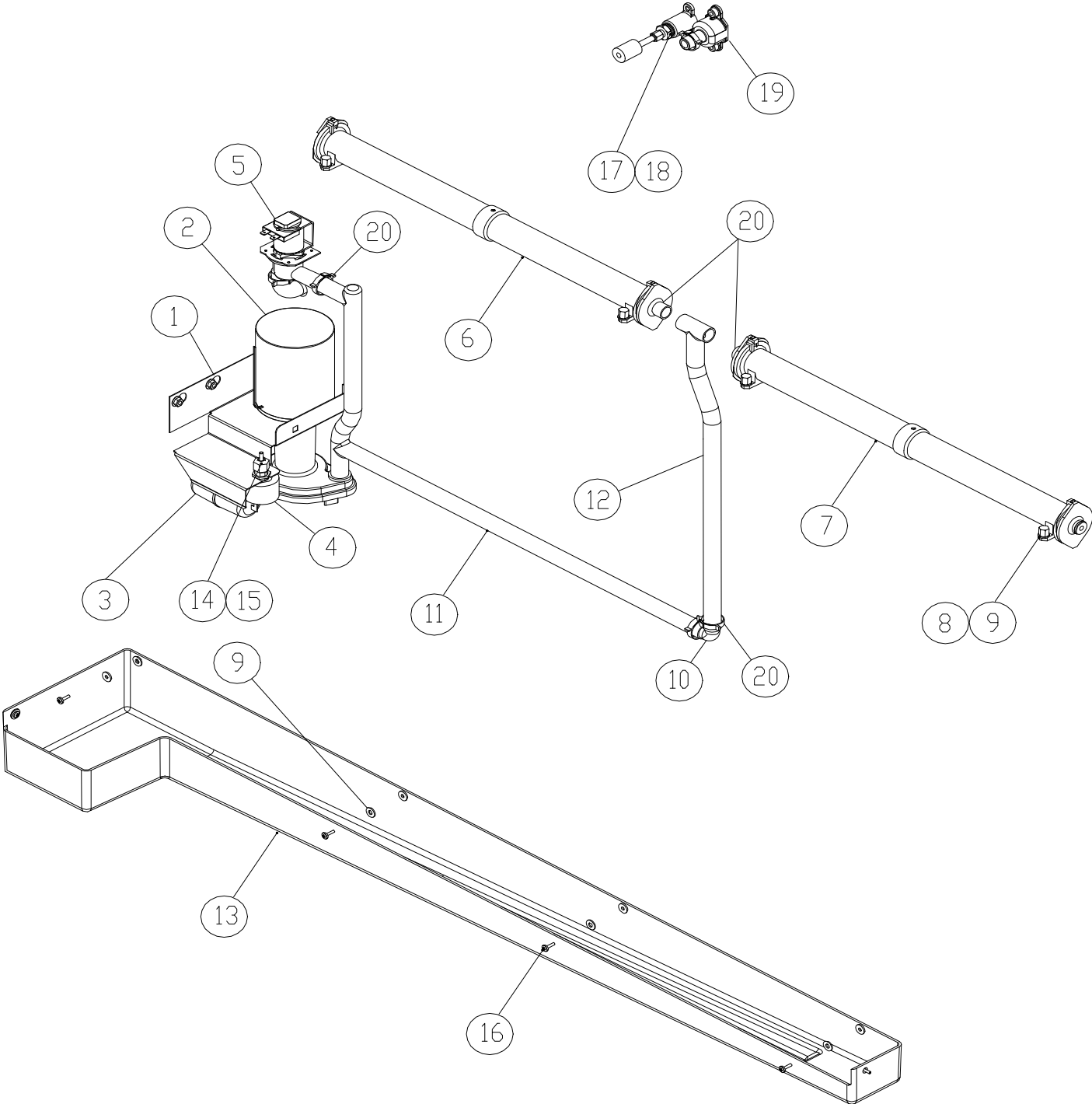
1051210-XX Reference Page 12 for Specific Model Number and Part Number

- The **1051210-XX** assembly will fit all ICE Models from October 1999 and EC Models.
- Units installed with a double cam switch, either Field installed or Factory installed will require the complete assembly and a potential wiring change as per the New Wiring Diagram included with the assembly.
- Individual component parts are not available for the **1051210-XX** assembly.
- Individual component parts are No Longer Available for previous version of the Harvest Assist Assembly
- Parts for the **2061962-XX** Harvest Assist Assembly are not compatible with **1051210-XX** Harvest Assist Assembly.
- Proper assembly and alignment of the parts is critical to proper operation, this includes cam and probe alignment.

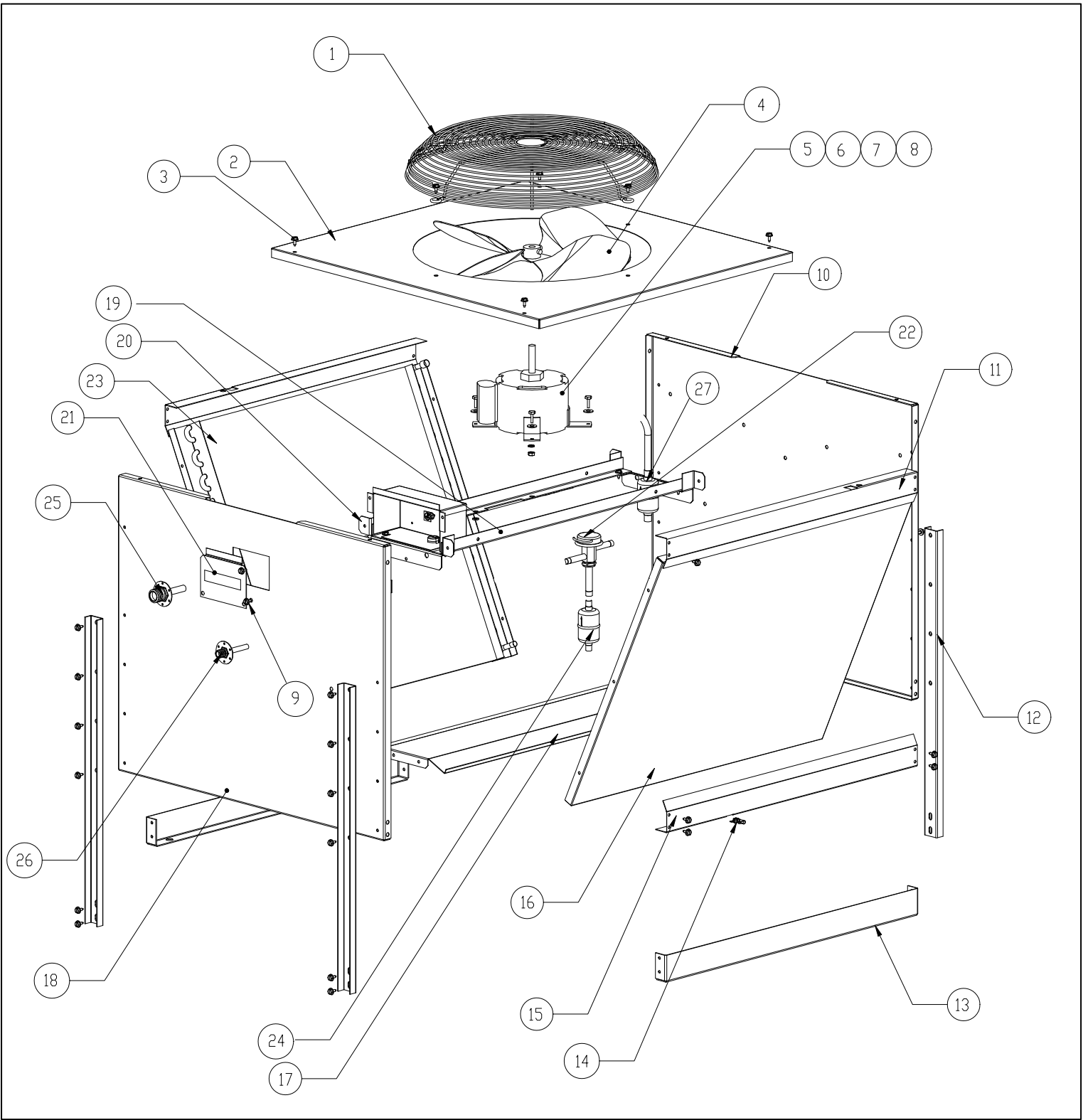
Item No.	Model Number					Description
	ICE1806	ICE1807	ICE2106	ICE2006W	ICE2107	
	1051210-02B	1051210-02B	1051210-02B	1051210-02B	1051210-02B	Complete Assembly-Right Side
	2061962-02S	2061962-02S	2061962-02S		2061962-02S	No Longer Available
	1051210-02B	1051210-02B	1051210-02B		1051210-02B	Complete Assembly-Right Side Remote Only
	2061962-10S	2061962-10S	2061962-10S		2061962-10S	NLA-Secondary-Right Side Remote Only
	1051210-03B	1051210-03B	1051210-03B	1051210-03B	1051210-03B	Complete Assembly-Secondary-Left Side
	2061962-03S	2061962-03S	2061962-03S		2061962-03S	No Longer Available-Secondary-Left Side

2061962-02S No Longer Available
 2061962-03S No Longer Available
 2061962-10S No Longer Available





Item No.	Model Number					Description
	ICE1806	ICE1807	ICE2106	ICE2006W	ICE2107	
1	3013310-01	3013310-01	3013310-01	3013310-01	3013310-01	Water Pump Bracket
2	9161079-06	9161079-06	9161079-06	9161079-06	9161079-06	Water Pump
3	9131111-102	9131111-102	9131111-102	9131111-102	9131111-102	Float (Includes Fittings)
4	9131026-02	9131026-02	9131026-02	9131026-02	9131026-02	Float Deflector
5	9041105-03	9041105-03	9041105-03	9041105-03	9041105-03	Purge Valve
6	2041338-02	2041338-02	2041338-02	2041338-02	2041338-02	Water Distribution Tube Left
7	2041338-01	2041338-01	2041338-01	2041338-01	2041338-01	Water Distribution Tube Right
8	9031122-01	9031122-01	9031122-01	9031122-01	9031122-01	Thumb Screw
9	9031004-19	9031004-19	9031004-19	9031004-19	9031004-19	Washer
10	9091052-01	9091052-01	9091052-01	9091052-01	9091052-01	Elbow
11	9051543-01	9051543-01	9051543-01	9051543-01	9051543-01	Water Pump Tube (Water Pump/Purge Valve)
12	9051546-02	9051546-02	9051546-02	9051546-02	9051546-02	Water Pump Tube (Water Distribution Tube)
13	9051544-01	9051544-01	9051544-01	9051544-01	9051544-01	Water Trough
14	3032898-34	3032898-34	3032898-34	3032898-34	3032898-34	Water Inlet Tubing (34.00 inches long)
15	9091081-01	9091081-01	9091081-01	9091081-01	9091081-01	Sleeve
	9091080-01	9091080-01	9091080-01	9091080-01	9091080-01	Barrel Fitting
16	9031046-24	9031046-24	9031046-24	9031046-24	9031046-24	Water Trough Screw
17	9091074-01	9091074-01	9091074-01	9091074-01	9091074-01	Drop Adapter
18	9091083-01	9091083-01	9091083-01	9091083-01	9091083-01	Water Inlet Fitting
19	9091140-01	9091140-01	9091140-01	9091140-01	9091140-01	Drain Fitting
20	9021010-04	9021010-04	9021010-04	9021010-04	9021010-04	Clamp



ICE0500R	ICE0600R	ICE0800R ICE1000R	ICE1400R4 ICE1506R3	ICE1800R4 ICE2100R4
----------	----------	----------------------	------------------------	------------------------

Item	VRC1001	VRC1061	VRC2061	VRC2661	VRC5061	Description
1	9131452-01	9131452-01	9131452-01	9131452-01	9131460-01	Fan Guard
2	3013222-01	3013222-01	3013222-01	3013222-01	3013303-01	Top Panel
3	9031019-04	9031019-04	9031019-04	9031019-04	9031019-04	1/4-20 x 1/2 Screw
4	9131451-01	9131451-01	9131451-01	9131451-01	9131461-01	Fan Blade
5	9161117-02	9161117-01	9161117-01	9161117-01	9161118-01	Fan Motor
6	9031001-02	9031001-02	9031001-02	9031001-02	9031001-02	1/4-20 x 3/4 Cap Screw
7	9031003-01	9031003-01	9031003-01	9031003-01	9031003-01	Flat Washer
8	9031118-02	9031118-02	9031118-02	9031118-02	9031118-02	Flanged Lock Nut
9	9031019-04	9031019-04	9031019-04	9031019-04	9031019-04	1/4-20 x 1/2 Screw
10	3013224-01	3013224-01	3013224-01	3013224-01	3013224-01	Rear Panel
11	3013226-01	3013226-01	3013226-01	3013226-01	3013305-01	Brace
12	3013227-01	3013227-01	3013227-01	3013227-01	3013227-01	Leg
13	3013228-01	3013228-01	3013228-01	3013228-01	3013306-01	Leg Brace
14	N/A	N/A	N/A	N/A	N/A	T-Nut-Shipping Only
15	3013226-01	3013226-01	3013226-01	3013226-01	3013305-01	Brace
16	3013232-01	3013232-01	N/A	N/A	N/A	Cover Panel
17	3013225-01	3013225-01	3013225-01	3013225-01	3013304-01	Center Panel
18	3013223-01	3013223-01	3013223-01	3013223-01	3013223-01	Front Panel
19	3013234-01	3013234-01	3013234-01	3013234-01	3013307-01	Motor Brace
20	3013233-01	3013233-01	3013233-01	3013233-01	3013233-01	Motor Brace Support
21	3013229-01	3013229-01	3013229-01	3013229-01	3013229-01	Junction Box Cover
22	9151142-02	9151142-02	9151142-02	9151142-02	9151142-02	Mixing Valve
23	9141130-01	9141130-01	9141130-01	9141131-01	9141133-01	Condenser
24	9151143-01	9151143-01	9151143-01	9151143-01	9151143-01	Filter
25	9091001-12	9091001-12	9091001-12	9091001-12	9091001-12	1/2 Coupling
26	9091001-11	9091001-11	9091001-11	9091001-11	9091001-11	3/8 Coupling
27	9151143-02	9151143-02	9151143-02	9151143-02	9151143-02	Filter

Please reference the RCA Parts Manual on our website for service parts.

Low Ambient Fan Control Kit 1051226-01

ICE1806W4	ICE1806W5	ICE1806W6	ICE1807W4	ICE1806W5/6		Ice Machine Model Number
9181108-11	9181143-11	9181143-11	9181108-12	9181143-13		Compressor Kit, RED=NLA
9181003-21	9181003-21	9181003-21	N/A	N/A		Start Capacitor
9181009-20	9181009-20	9181009-20	N/A	N/A		Run Capacitor
9181010-10	9181010-10	9181010-10	N/A	N/A		Relay
Internal	Internal	Internal	Internal	Internal		Overload
ICE2106W4	ICE2106W5	ICE2107W4	ICE2107W5	ICE2006W		Ice Machine Model Number
9181129-11	9181144-11	9181129-12	9181144-12	9181150-11		Compressor Kit, RED=NLA
9181003-21	9181003-21	N/A	N/A	9181003-34		Start Capacitor
9181009-13	9181009-13	N/A	N/A	9181009-27		Run Capacitor
9181010-11	9181010-11	N/A	N/A	9181010-33		Relay
Internal	Internal	Internal	Internal	Internal		Overload
ICE1806R4	ICE1806R5	ICE1806R6	ICE1806R7	ICE1806R8		Ice Machine Model Number
9181108-11	9181143-11	9181143-11	9181183-11	9181143-11		Compressor Kit, RED=NLA
9181003-21	9181003-21	9181003-21	9181003-21	9181003-21		Start Capacitor
9181009-20	9181009-20	9181009-20	9181009-18	9181009-20		Run Capacitor
9181010-10	9181010-10	9181010-10	9181010-33	9181010-10		Relay
Internal	Internal	Internal	Internal	Internal		Overload
ICE1807R4	ICE1807R5	ICE1807R6				Ice Machine Model Number
9181108-12	9181143-13	9181143-13				Compressor Kit, RED=NLA
N/A	N/A	N/A				Start Capacitor
N/A	N/A	N/A				Run Capacitor
N/A	N/A	N/A				Relay
Internal	Internal	Internal				Overload
ICE2106R4	ICE2106R5	ICE2106R6	ICE2106R7			Ice Machine Model Number
9181129-11	9181144-11	9181144-11	9181150-11			Compressor Kit, RED=NLA
9181003-21	9181003-21	9181003-21	9181003-34			Start Capacitor
9181009-13	9181009-13	9181009-13	9181009-27			Run Capacitor
9181010-11	9181010-11	9181010-11	9181010-33			Relay
Internal	Internal	Internal	Internal			Overload
	ICE2107R4	ICE2107R5				Ice Machine Model Number
	9181129-12	9181144-12				Compressor Kit, RED=NLA
	N/A	N/A				Start Capacitor
	N/A	N/A				Run Capacitor
	N/A	N/A				Relay
	Internal	Internal				Overload
Reference Bristol	1051243-05 Copeland Kit	9181150-11			Bristol Remote R92J433ABCCA	
Model Number for	1051243-05 Copeland Kit	9181150-11			Bristol Water Cooled R92J433ABCCA	
Start Components	1051243-04 Copeland Kit	9181183-11			Bristol Remote R92J433ABC	
Reference Copeland	9181143-11 Copeland	9181108-11			Copeland CS20K6E-PFV-235	
Model Number for	9181143-13 Copeland	9181108-12			Copeland CS20K6E-TF5-236	
Start Components	9181144-11 Copeland	9181129-11			Copeland CS24K6E-PFV-236	
	9181144-12 Copeland	9181129-12			Copeland CS24K6E-TF5-236	
Reference Copeland	1051243-05 Copeland Kit	9181144-11			Copeland CS24K6E-PFV-256	
Model Number for	1051243-05 Copeland Kit	9181144-11			Copeland CS24K6E-PFV-256	
Start Components	1051243-04 Copeland Kit	9181143-11			Copeland CS20K6E-PFV-256	
		9181143-13			Copeland CS20K63-TF5-256	
		9181144-12			Copeland CS24K6E-TF5-256	
9181143-11	9181144-11	9181144-12	9181143-13		Compressor Kit,	
9181003-21	9181003-21	N/A	N/A		Start Capacitor	
9181009-20	9181009-13	N/A	N/A		Run Capacitor	
9181010-10	9181010-11	N/A	N/A		Relay	
Internal	Internal	Internal	Internal		Overload	