



**SERVICE PARTS MANUAL  
ICE SERIES CUBERS**

- MODEL - ICE0855GA1,2,3 ("G"=Grande Cube)**
- MODEL - ICE0856GA1,2,3 ("G"=Grande Cube)**
- MODEL - ICE1006A6,7,8 (Dual Serpentine Evaporator)**
- MODEL - ICE1006W5,6,7 (Dual Serpentine Evaporator)**
- MODEL - ICE1006R6,7,8 (Dual Serpentine Evaporator)**



14-1033

Date 02/11/19



This parts list contains the service parts available for the ICE Series icemakers listed below:

**ICE0855GA1,2,3, ("G"=Grande)**

**ICE0856GA1,2,3 ("G"=Grande)**

**ICE1006A6,7,8 (Dual Serpentine Evaporator)**

**ICE1006W5,6,7 (Dual Serpentine Evaporator)**

**ICE1006R6,7,8 (Dual Serpentine Evaporator)**

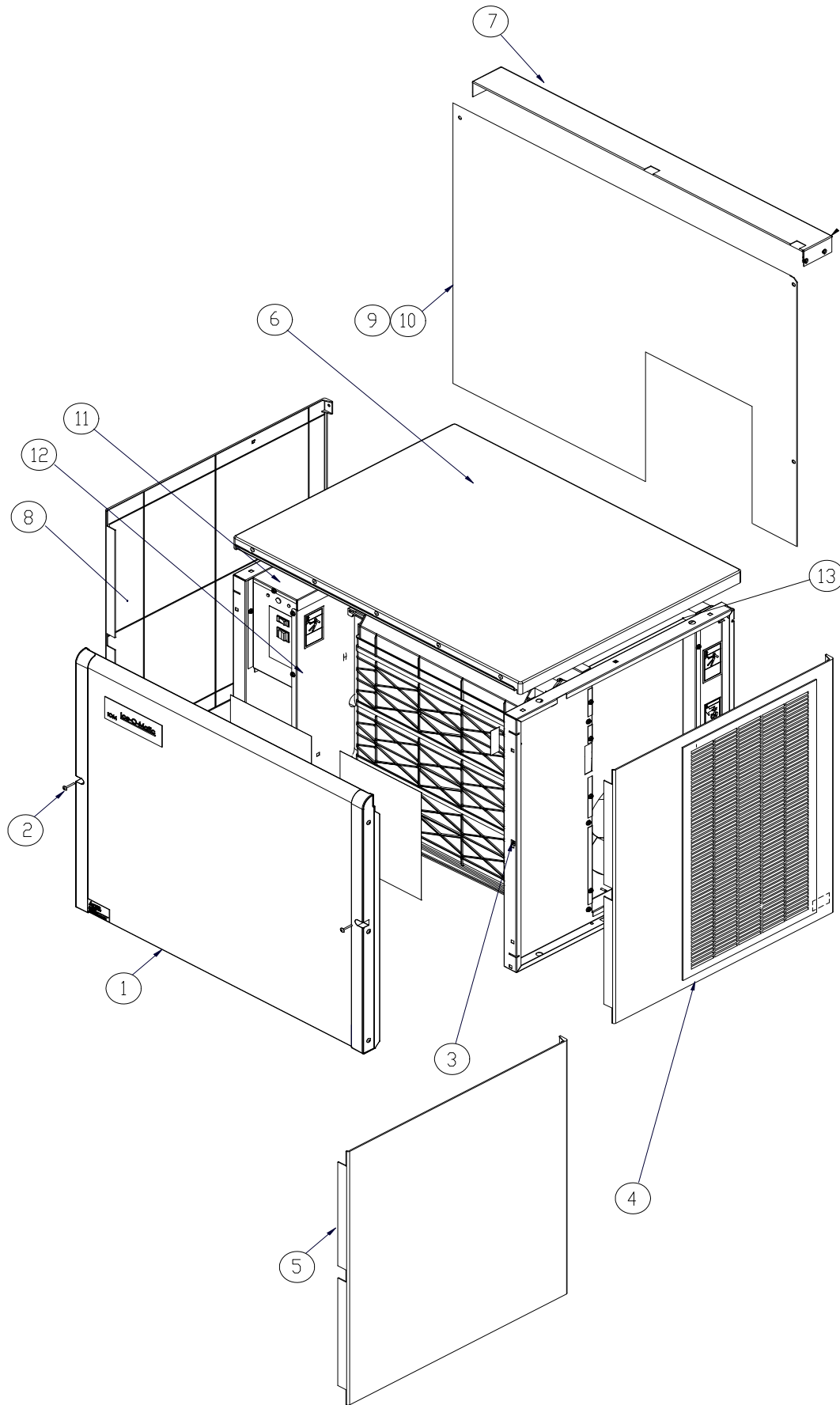
Check the model number on the data plate and refer to the correct listing for the specific component.

Check carefully that the correct part is identified and ordered.

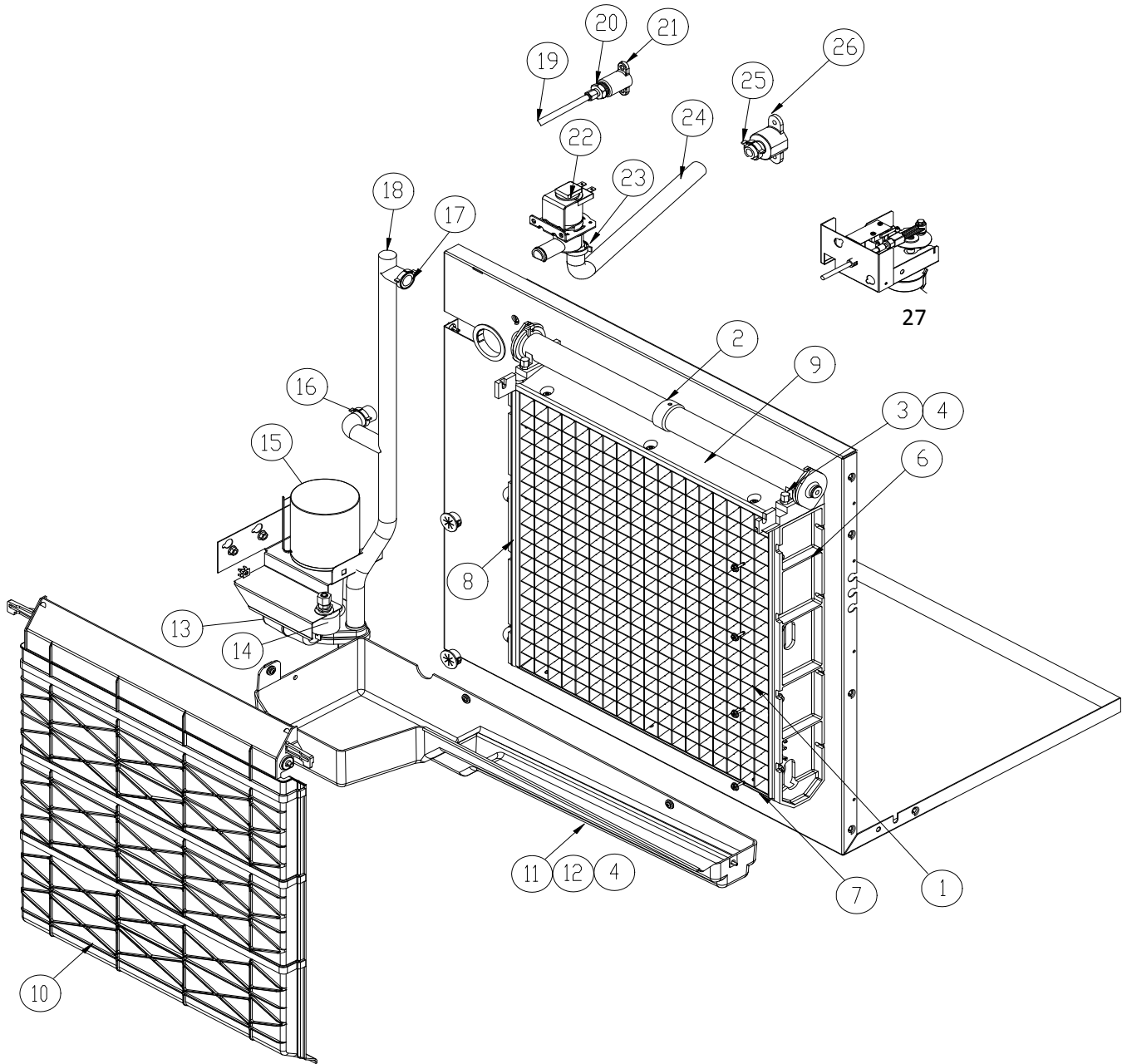
<b>Table of Contents</b>	<b>Page 1</b>
<b>Cabinet Assembly</b>	<b>Page 2 - 3</b>
<b>Evaporator/Water System</b>	<b>Page 4 - 5</b>
<b>Air Cooled</b>	<b>Page 6 - 7</b>
<b>Water Cooled</b>	<b>Page 8 - 9</b>
<b>Remote</b>	<b>Page 10 - 11</b>
<b>Control Box-Compressor Information</b>	<b>Page 12 - 13</b>
<b>Remote Condenser</b>	<b>Page 14 - 15</b>

The ICE Series Service Manual is available separately, Part number 9081270-01

**Manual Subject to Change**



Item No.	Model Number			Description
	ICE0855	ICE0856	ICE1006	
1	2031511-02S	2031511-02S	2031511-02S	Front Panel
	9051562-03	9051562-03	9051562-03	Front Panel End Cap, Right Hand
	9051562-04	9051562-04	9051562-04	Front Panel End Cap, Left Hand
2	9031098-04	9031098-04	9031098-04	Front Panel Screws
3	9031141-01	9031141-01	9031141-01	Plastic Nut
4	2101483-02S	2101483-02S	2101483-02S	Right Side Panel-Air Cooled Only ( <b>Metal</b> )
5	N/A	N/A	3021969-02	Right Side Panel-Water/Remote Only ( <b>Metal</b> )
6	N/A	N/A	2101425-01S	Top Panel Water and Remote
	2101425-05S	2101425-05S	2101425-05S	Top Panel Air Cooled
7	N/A	N/A	3012724-01	Rear Brace
8	3021969-02	3021969-02	3021969-02	Left Side Panel ( <b>Metal</b> )
9	N/A	N/A	3021740-01	Rear Panel
10	9031046-01	9031046-01	9031046-01	Rear Panel Screws
11	3012905-01	3012905-01	3012905-01	Control Box Top Cover
12	3012891-01	3012891-01	3012891-01	Control Box Side Cover
13	3012931-01	N/A	N/A	Machine Compartment Cover
	3012681-01	3012681-01	3012681-01	Junction Box Cover, Not Shown



# ICE Series Service Parts

# Evaporator/Water System

Item No.	Model Number				Description
	ICE0855	ICE0856		ICE1006	
1	N/A	N/A		2051281-81A	Evaporator Full Cube
1	N/A	N/A		2051281-82A	Evaporator Half Cube
1	N/A	N/A		2051281-83A*	Evaporator Half Cube, ICE1006HAN (NOSIL)
1	2051283-81A	2051283-81A		N/A	Evaporator Grande Cube
2	2041338-01	2041338-01		2041338-01	Water Distribution Tube
3	9031122-01	9031122-01		9031122-01	Thumb Screw
4	9031004-19	9031004-19		9031004-19	Rubber Washer
5	N/A	N/A		N/A	Curtain Stopper
6	9051170-03	9051170-03		9051170-03	Evaporator Mounting Panel Right Side
7	9051135-04	9051135-04		9051135-04	Evaporator Water Return
8	9051170-04	9051170-04		9051170-04	Evaporator Mounting Panel Left Side
9	9051135-05	9051135-05		9051135-05	Evaporator Spillway
10	9051154-12	9051154-12		9051154-12	Evaporator Splash Curtain
11	9051537-01	9051537-01		9051537-01	Water Return Trough
12	9031046-24	9031046-24		9031046-24	Water Return Trough Screw
13	9131111-101	9131111-101		9131111-101	Float, Includes Fittings
14	9131026-02	9131026-02		9131026-02	Caplug (Float Deflector)
15	9161079-03	9161079-03		9161079-03	Water Pump
	3012509-01	30125009-01		3012509-01	Water Pump Bracket
16	9021010-04	9021010-04		9021010-04	Clamp
17	9021010-04	9021010-04		9021010-04	Clamp
18	9051472-01	9051472-01		9051472-01	Water Pump Tube
19	3032898-26	3032898-26		3032898-26	Water Float Tubing (26 inches long)
20	<b>9091083-01</b>	<b>9091083-01</b>		<b>9091083-01</b>	<b>Water Inlet Body, Does Not Include Nut</b>
	<b>9091083-03</b>	<b>9091083-03</b>		<b>9091083-03</b>	<b>Water Inlet Nut, Does Not Include Body</b>
21	9091074-01	9091074-01		9091074-01	Drop Adapter
22	9041105-02	9041105-02		9041105-02	Purge Valve
23	9021010-04	9021010-04		9021010-04	Clamp
24	3051222-18	3051222-18		3051222-18	Purge Drain Hose (18 inches long)
25	9021010-03	9021010-03		9021010-03	Clamp
26	9091140-01	9091140-01		9091140-01	Purge Drain Fitting
27	<b>1051210-02B</b>	<b>1051210-02B</b>		<b>1051210-02B</b>	<b>Complete Assembly</b>
27	2062251-02	2062251-02		2062251-02	<b>No Longer Available</b>

\*Note=Evaporator without silicone.

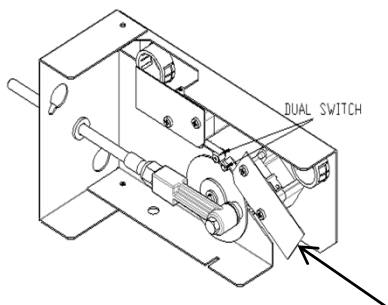
Evaporators include elbows

- The **1051210-XX** assembly will fit all ICE Models from October 1999 and EC Models.
- Units installed with a double cam switch, either Field installed or Factory installed will require the complete assembly and a potential wiring change as per the New Wiring Diagram included with the assembly.
- Individual component parts are not available for the **1051210-XX** assembly.
- Individual component parts are No Longer Available for previous version of the Harvest Assist Assembly
- Parts for the **2061962-XX** Harvest Assist Assembly are not compatible with **1051210-XX** Harvest Assist Assembly.
- Proper assembly and alignment of the parts is critical to proper operation, this includes cam and probe alignment.

**1051210-XX are only supplied as complete assemblies, individual components are not available.**

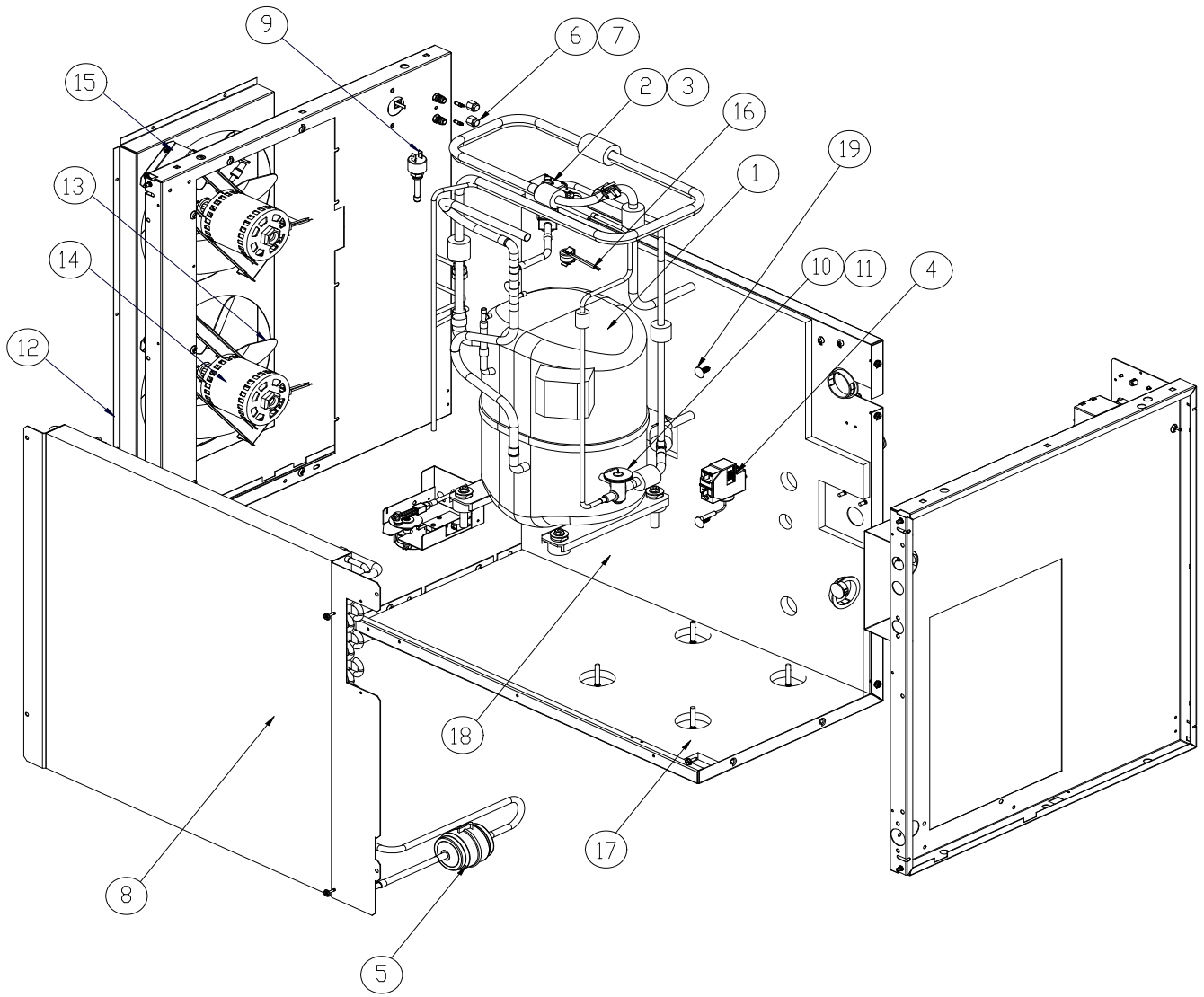
**Please reference the above Model Numbers to insure the correct assembly is supplied**

**THE DUAL CAM SWITCH HARVEST ASSIST ASSEMBLIES ARE NO LONGER AVAILABLE**



**1051199-01 No Longer Available**

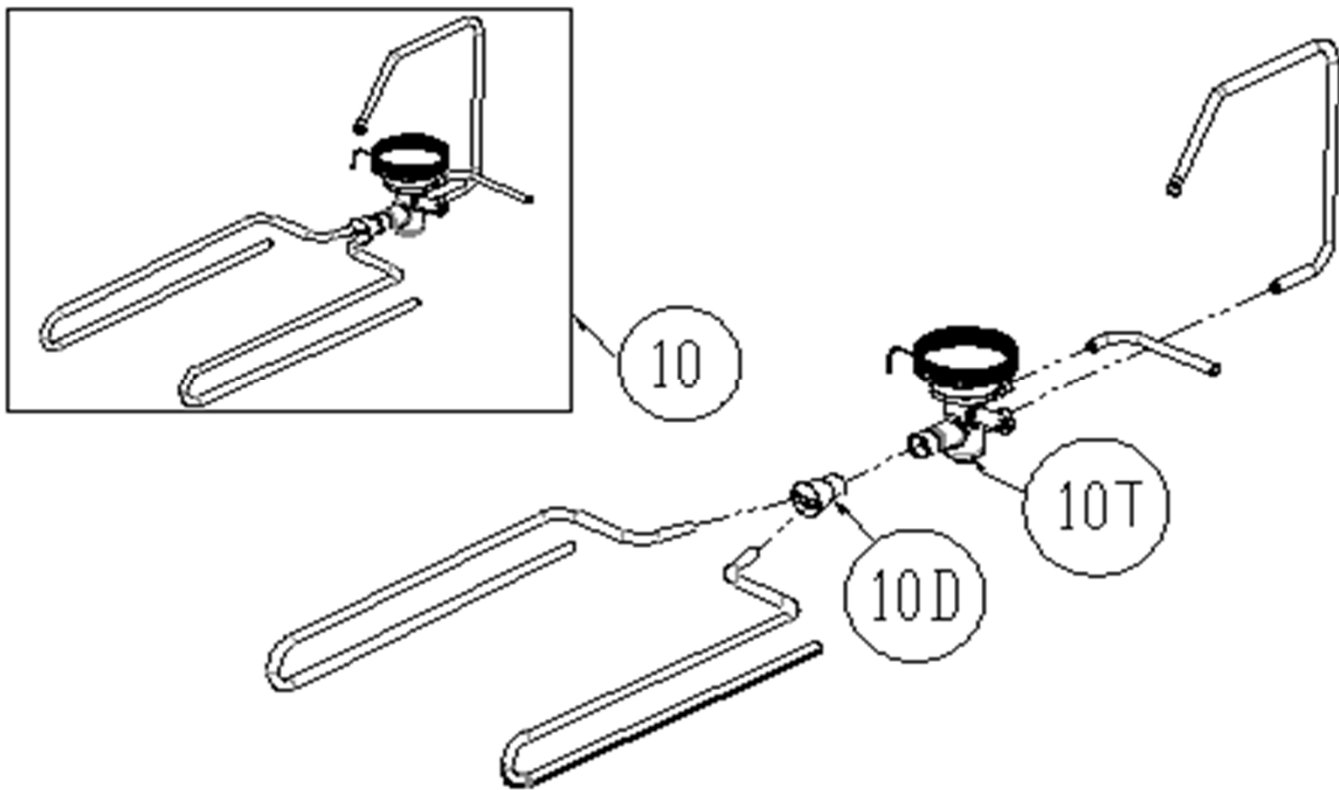
**1051210-02 Reference Above for Specific Model Number**

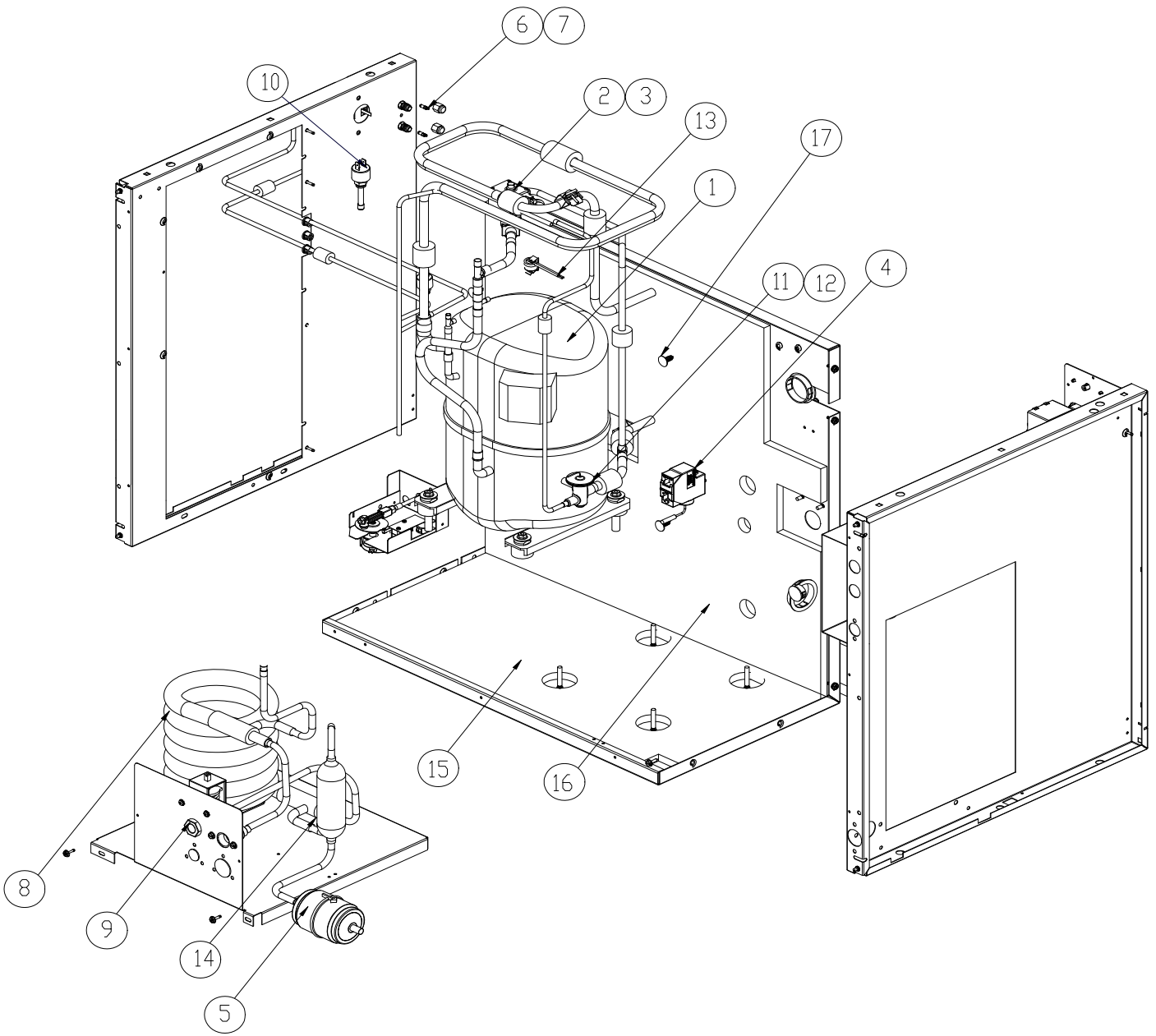




Item No.	Model Number			Description
	ICE0855	ICE0856	ICE1006	
1	9181141-12	9181140-11	9181140-11	Compressor Kit
2	9151123-02	9151123-02	9151123-02	Hot Gas Valve Body
3	9151123-04	9151123-04	9151123-04	Hot Gas Valve Coil
4	9041104-101A	9041104-101A	9041104-101A	Low Pressure Control
5	9151163-03	9151163-03	9151163-03	Filter Drier
6	9091086-02	9091086-02	9091086-02	Service Valve Core
6A	9091086-01	9091086-01	9091086-01	Service Valve Body
7	9091086-03	9091086-03	9091086-03	Service Valve Cap
8	9141122-01	9141122-01	9141122-01	Condenser
9	9041106-01	9041106-01	9041106-01	Fan Control <b>9041096-01 is NLA</b>
10	2041982-01S	2041982-01S	2041982-01S	Expansion Valve Assembly
10D	9151061-01	9051061-01	9151061-01	Distributor Only
10T	9151166-01	9151166-01	9151166-01	Expansion Valve Only
11	NA	NA	NA	NA
12	3012741-01	3012741-01	3012741-01	Fan Shroud
13	9131383-01	9131383-01	9131383-01	Fan Blade
14	9161124-02	9161124-03	9161124-03	Fan Motor
15	3013252-01	3013252-01	3013252-01	Fan Motor Brkt
16	9041098-01	9041098-01	9041098-01	High Temperature Safety Control
17	9131512-01	9131512-01	9131512-01	Insulation Panel, Lower
18	See Item 17	See Item 17	See Item 17	Insulation Panel Divider, Included in Item 17
19	9031154-01	9031154-01	9031154-01	Insulation Clip (Christmas Tree)

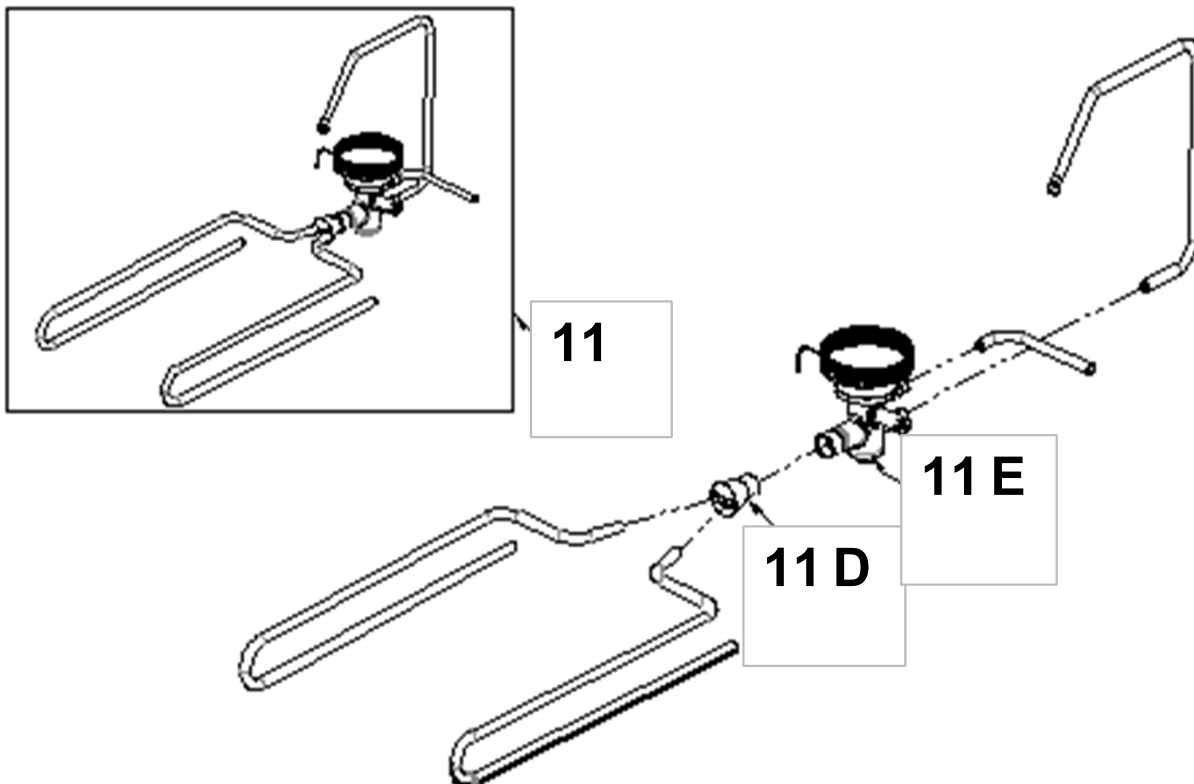
See Page 13 for Compressor Components

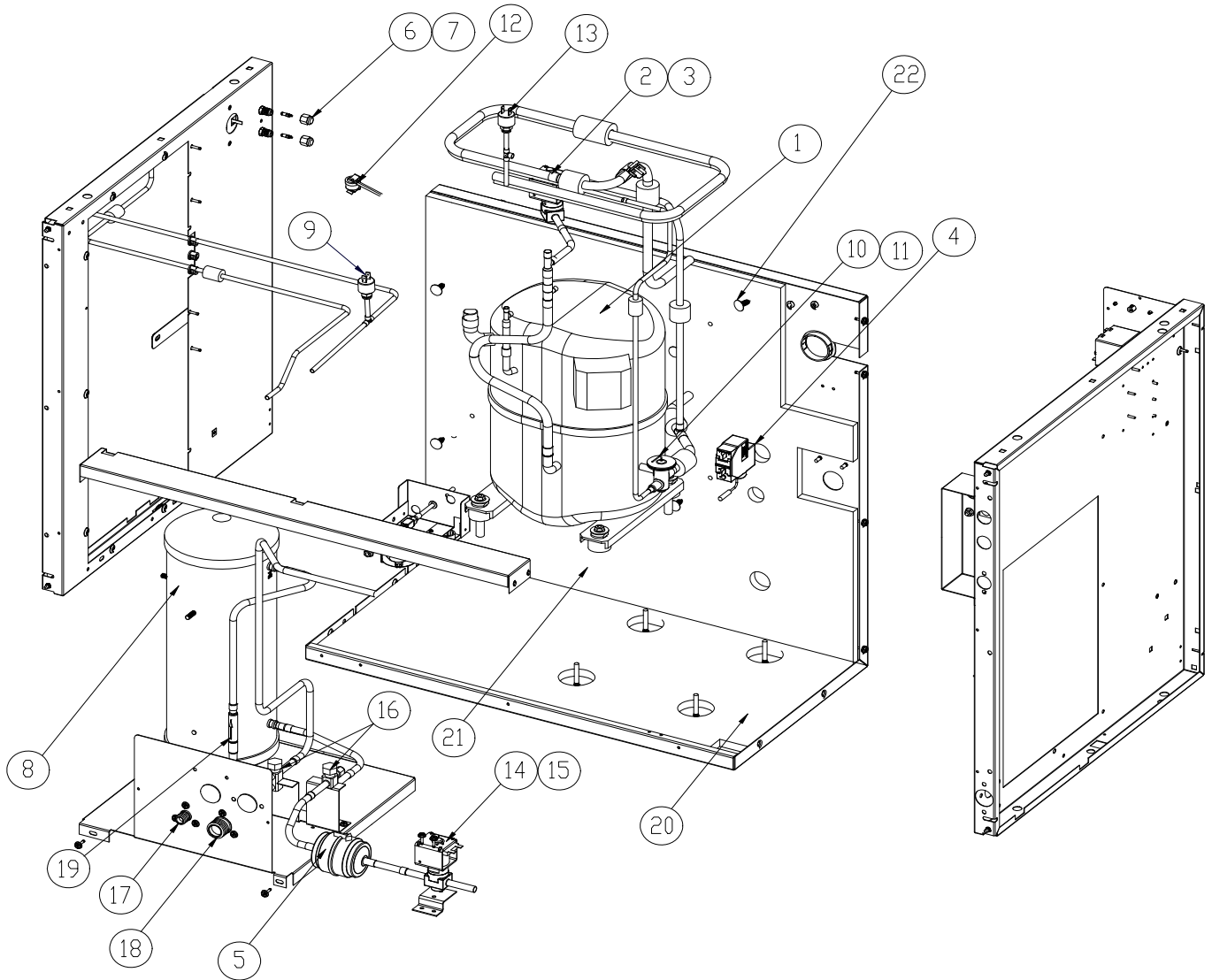




Item	Model Number				
No.			ICE1006		Description
1			9181140-11		Compressor
2			9151123-02		Hot Gas Valve Body
3			9151123-04		Hot Gas Valve Coil
4			9041104-101A		Low Pressure Control
5			9151163-02		Filter Drier
6			9091086-02		Service Valve Core
6A			9091086-01		Service Valve Body
7			9091086-03		Service Valve Cap
8			9141061-02		Water Condenser
9			9041059-01		Water Valve
10			9041111-01		High Pressure Control 9041091-01 is Obsolete
11			2041982-01S		Expansion Valve Assembly
11D			9151061-01		Distributor Only
11E			9151166-01		Expansion Valve Only
12			NA		NA
13			9041098-01		High Temperature Safety Control
14			9151155-01		Receiver
15			9131512-01		Insulation Panel, Lower
16			See Item 15		Insulation Panel, Divider, Included in Item 15
17			9031154-01		Insulation Clip

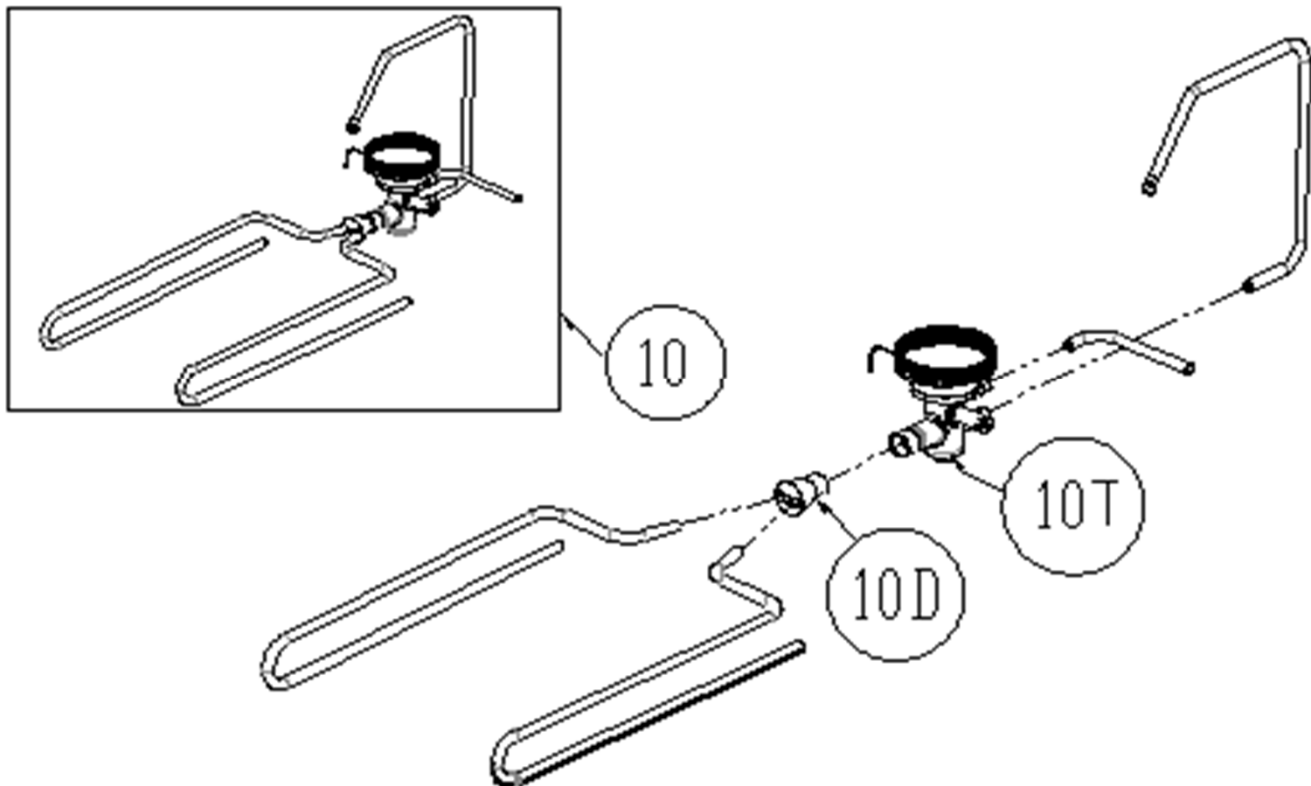
Reference Page 13 for specific compressor components.

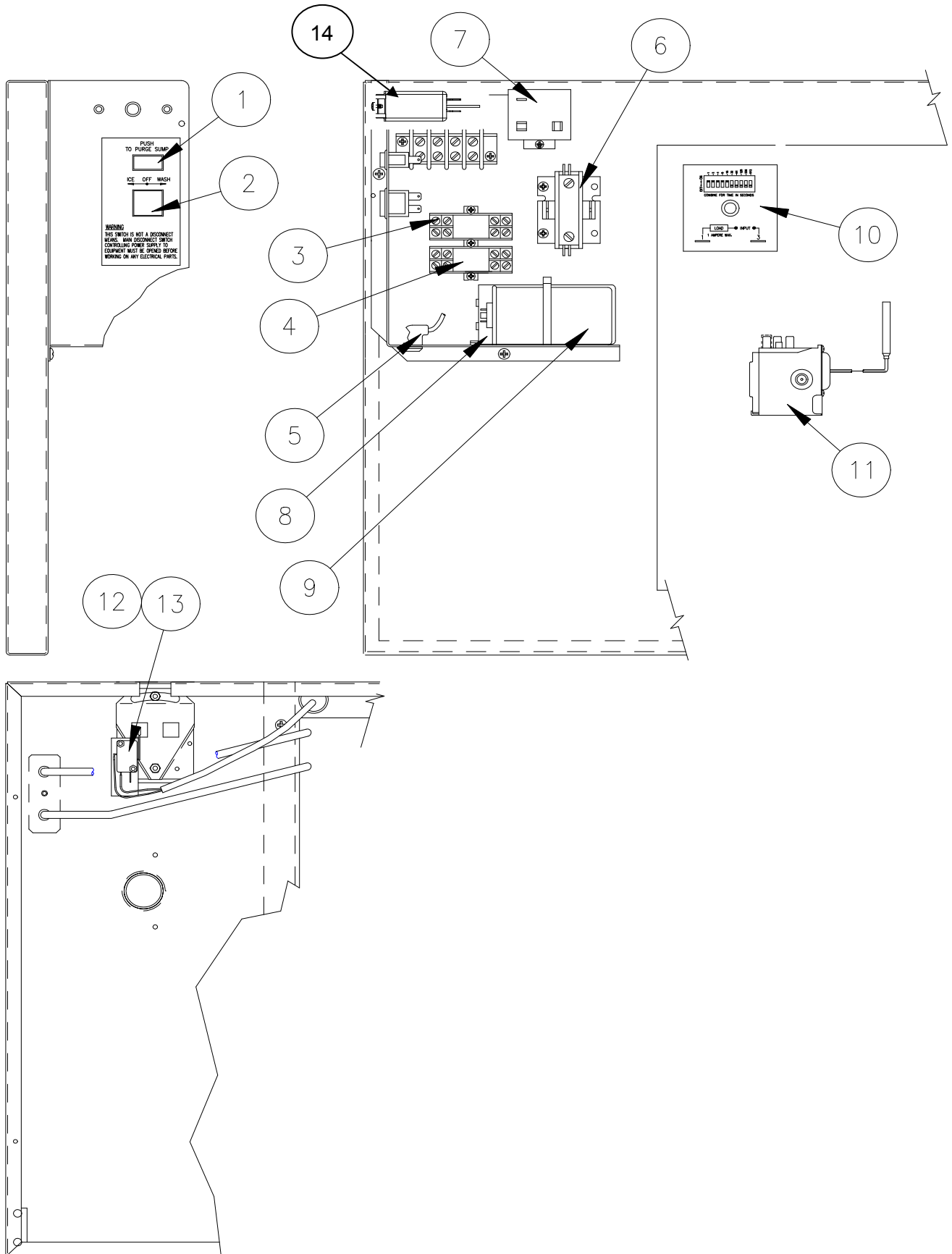




Item No.	Model Number			Description
1			ICE1006 9181140-11	<b>Compressor</b>
2			9151123-02	Hot Gas Valve Body
3			9151123-04	Hot Gas Valve Coil
4			9041104-101A	Low Pressure Control Replaces
5			9151163-03	Filter Drier
6			9091086-02	Service Valve Core
			9091086-01	Service Valve Body
7			9091086-03	Service Valve Cap
8			9151060-01	Receiver
9			9041111-01	High Pressure Control 9041091-01 is Obsolete
10			2041982-01S	Expansion Valve Assembly
10D			9151061-01	Distributor Only
10T			9151166-01	Expansion Valve Only
11			NA	NA
12			9041098-01	High Temperature Safety Control
13			9041092-02	Pump Down Control
14			9151123-02	Liquid Line Solenoid Body
15			9151123-04	Liquid Line Solenoid Coil
16			N/A	Valve-Shut Off
17			9091001-11	Remote Fitting 3/8 Male
18			9091001-12	Remote Fitting 1/2 Male
19			9151139-01	Check Valve
20			9131512-01	Insulation Panel, Lower
21			See Item 20	Insulation Panel, Divider, Included with Item 20
22			9031154-01	Insulation Clip

Reference Page 13 for specific compressor components.

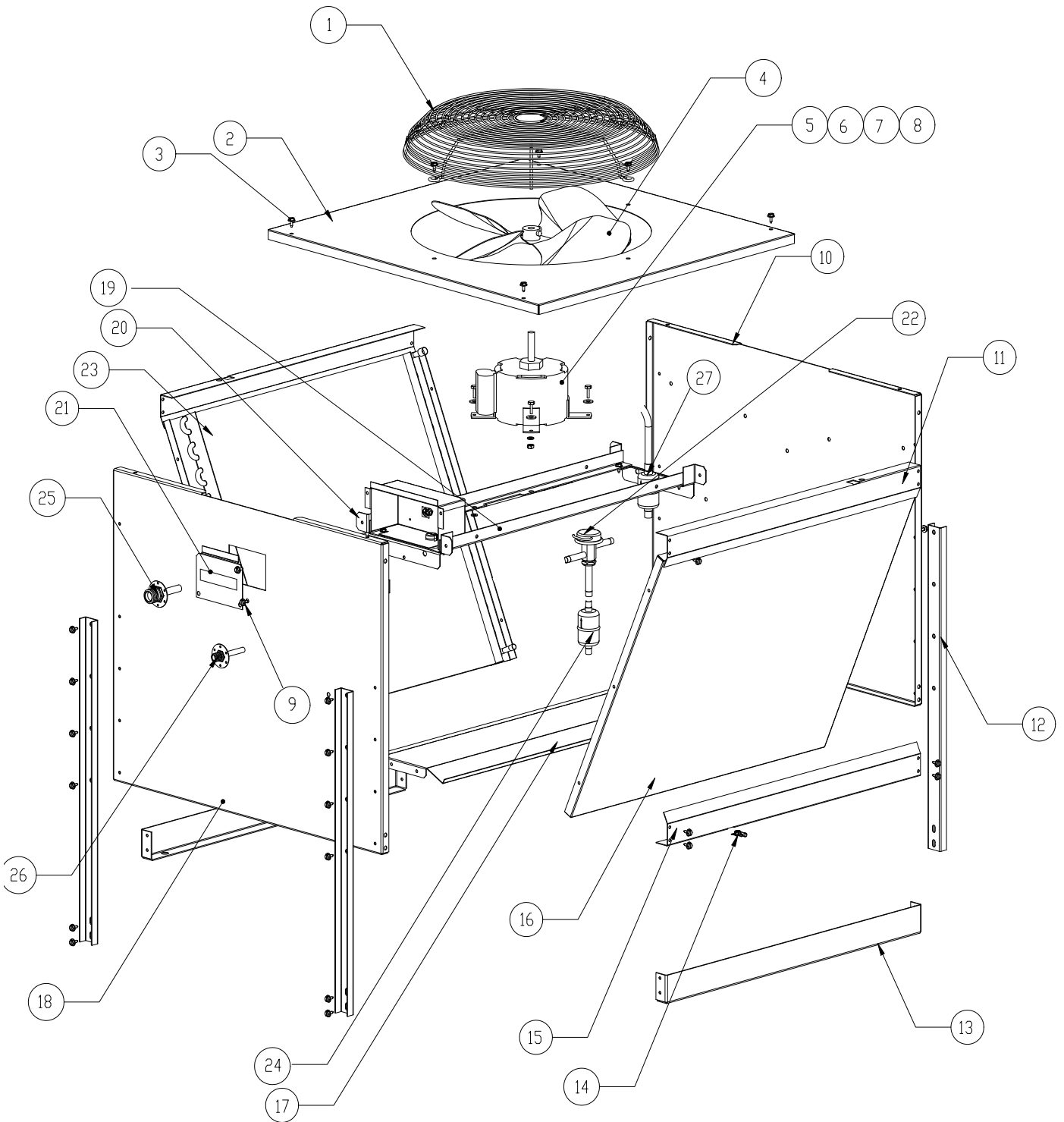




Item No.	Model Number			Description
	ICE0855	ICE0856	ICE1006	
1	9101139-03	9101139-03	9101139-03	Purge Switch <b>9101348-01 is NLA</b>
2	9101195-01	9101195-01	9101195-01	ON-OFF-WASH Switch <b>9101349-01 NLA</b>
3	9101083-01	9101083-01	9101083-01	Relay Socket
4	9101084-02	9101084-02	9101084-02	Relay
5	9101218-12	9101218-12	9101218-12	Water Pump Cord
6	9101002-06	9101002-06	9101002-06	Contactora
7	See Below	See Below	See Below	Compressor Start Relay
8	See Below	See Below	See Below	Start Capacitor
9	See Below	See Below	See Below	Run Capacitor
10	9101148-01	9101148-01	9101148-01	Timer
11	9041104-101A	9041104-101A	9041104-101A	Low Pressure Control
12	2061471-03	2061471-03	2061471-03	Curtain Switch Assembly
13	9101124-02	9101124-02	9101124-02	Curtain Switch
14	9041097-01	9041097-01	9041097-01	Bin Thermostat

### Specific Compressor Components

	Model Number			Description
	ICE0855	ICE0856	ICE1006	
	9181141-12			Compressor CS14K6E-PFJ-255
	9181003-07			Start Capacitor
	9181009-12			Run Capacitor
	9181010-12			Relay
		9181140-11		Compressor CS12K6E-PFV-255
		9181003-07		Start Capacitor
		9181009-16		Run Capacitor
		9181010-12		Relay
			9181140-11	Compressor CS12K6E-PFV-255
			9181003-07	Start Capacitor
			9181009-16	Run Capacitor
			9181010-12	Relay





## ICE1000R6

Item		VRC2061		Description
1		9131452-01		Fan Guard
2		3013222-01		Top Panel
3		9031019-04		¼-20 x 1/2 Screw
4		9131451-01		Fan Blade
5		9161117-01		Fan Motor
6		9031001-02		¼-20 x ¾ Cap Screw
7		9031003-01		Flat Washer
8		9031118-02		Flanged Lock Nut
9		9031019-04		¼-20 x 1/2 Screw
10		3013224-01		Rear Panel
11		3013226-01		Brace
12		3013227-01		Leg
13		3013228-01		Leg Brace
14		N/A		T-Nut-Shipping Only
15		3013226-01		Brace
16		N/A		Cover Panel
17		3013225-01		Center Panel
18		3013223-01		Front Panel
19		3013234-01		Motor Brace
20		3013233-01		Motor Brace Support
21		3013229-01		Junction Box Cover
22		9151027-07		Mixing Valve
23		9141135-01		Condenser-Same on Both Sides
24		NA		NA
25		9091001-12		1/2 Coupling
26		9091001-11		3/8 Coupling
27		NA		NA