



**SERVICE PARTS MANUAL
ICE SERIES CUBERS**

ICE0806A3,A4,A5,A7-W3,W4,W5,W6-R4,R5

ICE1006 A3,A4,A5-W3,W4 and R4-R5,

ICE1005 A3,A4,A5-W3,W4,W5 and R4,R5,R6,

ICE1007 A3,A4,A5,A6,A7,A8-W3,W4,W5 and R4,R5,R6,



14-1011

Date 3/07/17

This parts list contains the service parts available for the ICE Series icemakers listed below:

ICE0806 A3,A4,A5,A7-W3,W4,W5 and R4,R5 Includes 50 hz. Models

ICE1006 A3,A4,A5-W3,W4 and R4-R5,

ICE1005 A3,A4,A5-W3,W4,W5 and R4,R5,R6,

ICE1007 A3,A4,A5,A6,A7,A8-W3,W4,W5 and R4,R5,R6,

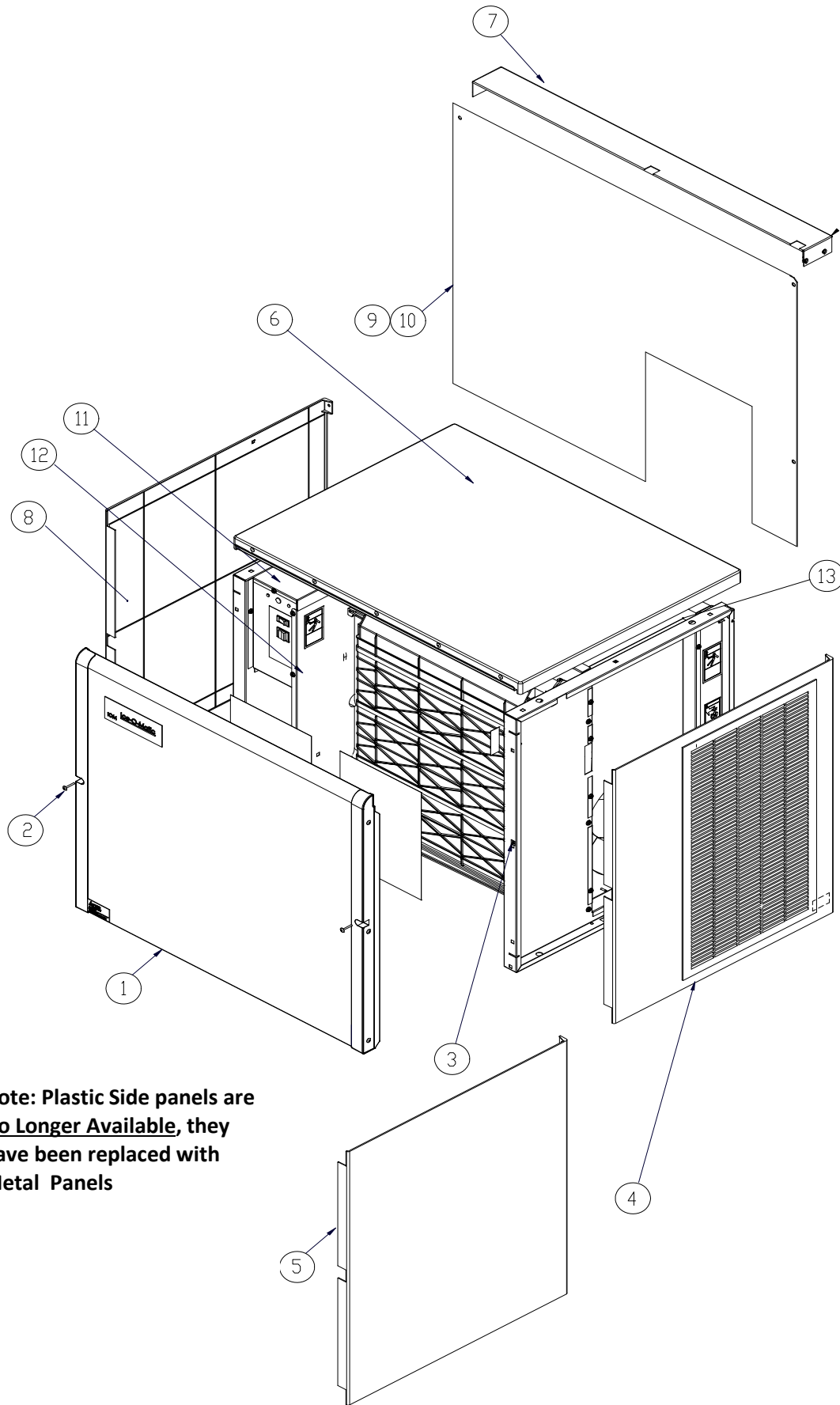
Check the model number on the data plate and refer to the correct listing for the specific component.

Check carefully that the correct part is identified and ordered.

Table of Contents	Page 1
Cabinet Assembly	Page 2 - 3
Evaporator/Water System	Page 4 - 5
Air Cooled and Top Discharge	Page 6 - 7
Water Cooled	Page 8 - 9
Remote	Page 10 - 11
Control Box	Page 12 - 13
Harvest Assist Assembly	Page 14 - 15
Remote Condenser	Page 16 - 17
Compressor Information	Page 18

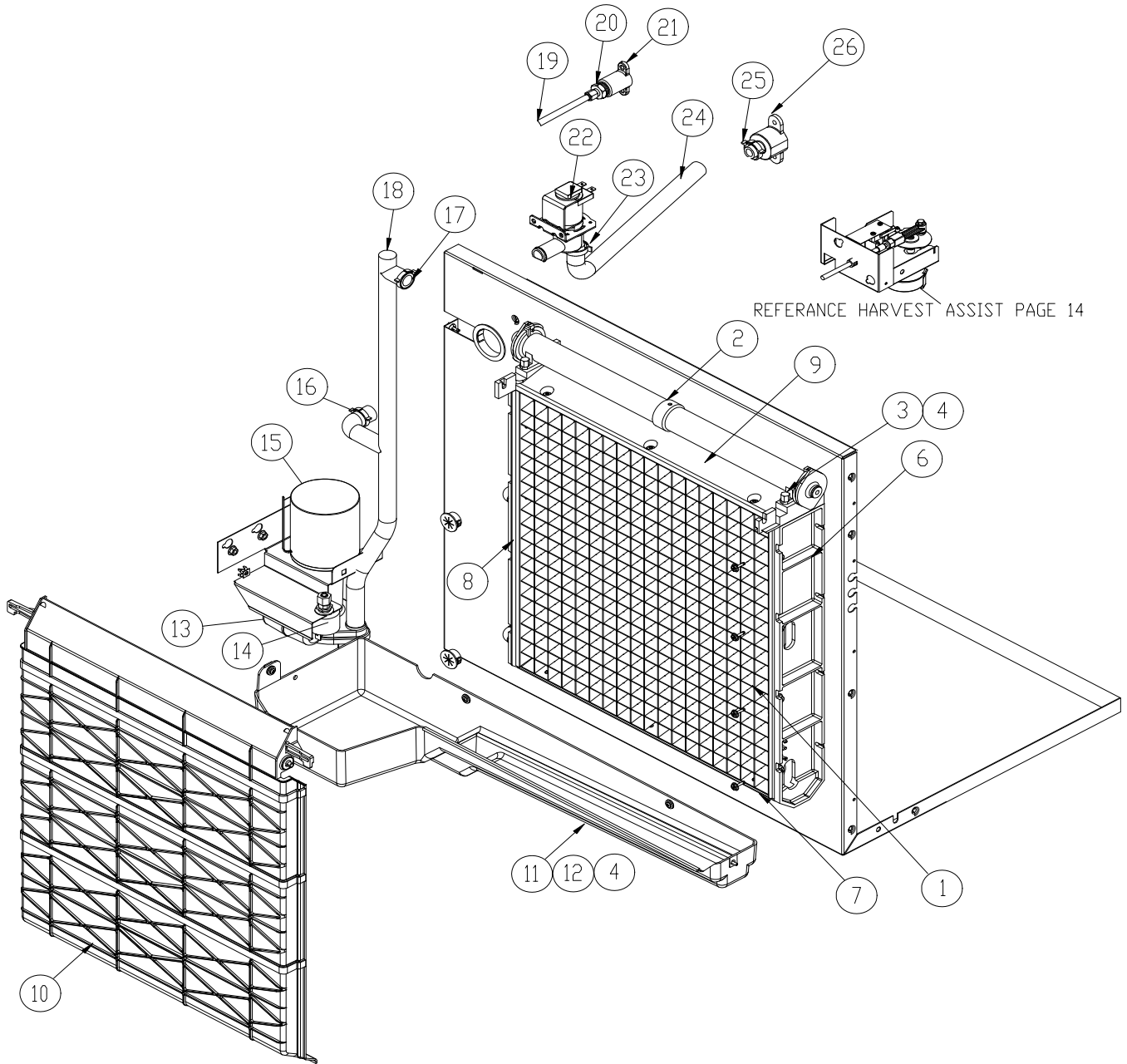
The ICE Series Service Manual is available separately, Part number 9081270-01

Ice-O-Matic
11100 East 45th Ave.
Denver Co. 80239
800-423-3367



Note: Plastic Side panels are No Longer Available, they have been replaced with Metal Panels

Item No.	Model Number					Description
	ICE0805	ICE0806	ICE1005	ICE1006	ICE1007	
1	2031511-02S	2031511-02S	2031511-02S	2031511-02S	2031511-02S	Front Panel
	9051562-03	9051562-03	9051562-03	9051562-03	9051562-03	Front Panel End Cap, Right Hand
	9051562-04	9051562-04	9051562-04	9051562-04	9051562-04	Front Panel End Cap, Left Hand
2	9031098-04	9031098-04	9031098-04	9031098-04	9031098-04	Front Panel Screws
3	9031141-01	9031141-01	9031141-01	9031141-01	9031141-01	Plastic Nut
4	2101483-02S	2101483-02S	2101483-02S	2101483-02S	2101483-02S	Right Side Panel-Air Cooled Only (Metal)
5	3021969-02	3021969-02	3021969-02	3021969-02	3021969-02	Right Side Panel-Water/Remote Only (Metal)
6	2101425-01S	2101425-01S	2101425-01S	2101425-01S	2101425-01S	Top Panel Water and Remote
	2101425-05S	2101425-05S	2101425-05S	2101425-05S	2101425-05S	Top Panel Air Cooled
7	3012724-01	3012724-01	3012724-01	3012724-01	3012724-01	Rear Brace
8	3021969-02	3021969-02	3021969-02	3021969-02	3021969-02	Left Side Panel (Metal)
9	3021740-01	3021740-01	3021740-01	3021740-01	3021740-01	Rear Panel
10	9031046-01	9031046-01	9031046-01	9031046-01	9031046-01	Rear Panel Screws
11	3012905-01	3012905-01	3012905-01	3012905-01	3012905-01	Control Box Top Cover
12	3012891-01	3012891-01	3012891-01	3012891-01	3012891-01	Control Box Side Cover
13	3012931-01	N/A	3012931-01	N/A	N/A	Machine Compartment Cover



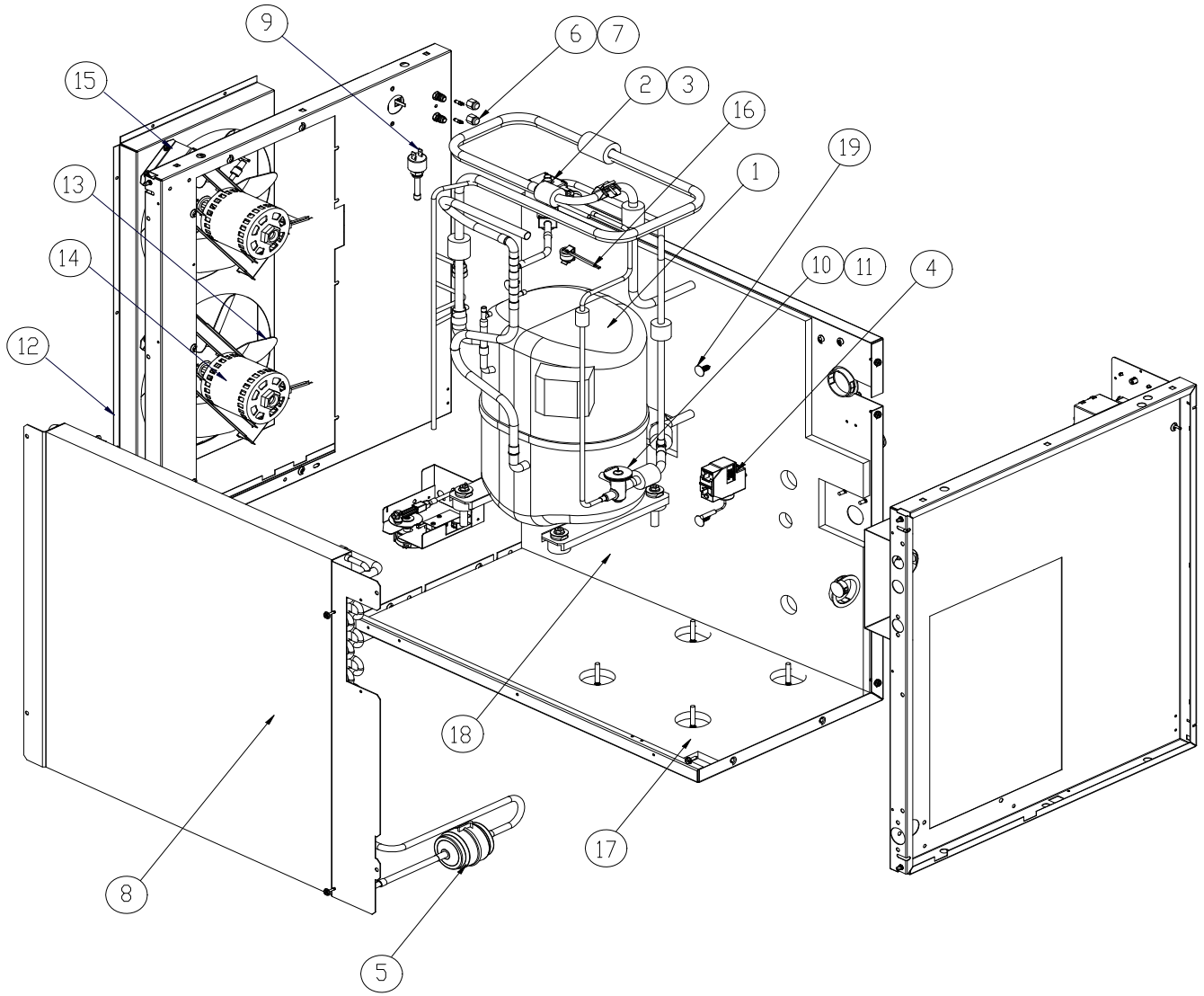
ICE Series Service Parts

Evaporator/Water System

Item No.	Model Number					Description
	ICE0805	ICE0806	ICE1005	ICE1006	ICE1007	
1	2051250-81A	2051250-81A	2051250-81A	2051250-81A	2051250-81A	Evaporator Full Cube (Replaces 2051239-81)
1	2051250-82A	2051250-82A	2051250-82A	2051250-82A	2051250-82A	Evaporator Half Cube (Replaces 2051239-82)
2	2041338-01	2041338-01	2041338-01	2041338-01	2041338-01	Water Distribution Tube
3	9031122-01	9031122-01	9031122-01	9131111-101	9031122-01	Thumb Screw
4	9031004-19	9031004-19	9031004-19	9031004-19	9031004-19	Rubber Washer
5	N/A	N/A	N/A	N/A	N/A	Curtain Stopper
6	9051170-03	9051170-03	9051170-03	9051170-03	9051170-03	Evaporator Mounting Panel Right Side
7	9051135-04	9051135-04	9051135-04	9051135-04	9051135-04	Evaporator Water Return
8	9051170-04	9051170-04	9051170-04	9051170-04	9051170-04	Evaporator Mounting Panel Left Side
9	9051135-05	9051135-05	9051135-05	9051135-05	9051135-05	Evaporator Spillway
10	9051154-12	9051154-12	9051154-12	9051154-12	9051154-12	Evaporator Splash Curtain
11	9051537-01	9051537-01	9051537-01	9051537-01	9051537-01	Water Return Trough
12	9031046-24	9031046-24	9031046-24	9031046-24	9031046-24	Water Return Trough Screw
13	9131111-101	9131111-101	9131111-101	9131111-101	9131111-101	Float (Includes Fittings)
14	9131026-02	9131026-02	9131026-02	9131026-02	9131026-02	Caplug (Float Deflector)
15	9161079-03	9161079-03	9161079-03	9161079-03	9161079-03	Water Pump
	3012509-01	3012509-01	3012509-01	3012509-01	3012509-01	Water Pump Bracket
16	9021010-04	9021010-04	9021010-04	9021010-04	9021010-04	Clamp
17	9021010-04	9021010-04	9021010-04	9021010-04	9021010-04	Clamp
18	9051472-01	9051472-01	9051472-01	9051472-01	9051472-01	Water Pump Tube
19	3032898-26	3032898-26	3032898-26	3032898-26	3032898-26	Water Float Tubing (26 Inches required)
20	9091083-01	9091083-01	9091083-01	9091083-01	9091083-01	Water Inlet Body, Does Not Include Nut
	9091083-03	9091083-03	9091083-03	9091083-03	9091083-03	Water Inlet Nut, Does Not Include Body
21	9091074-01	9091074-01	9091074-01	9091074-01	9091074-01	Drop Adapter
22	9041105-02	9041105-02	9041105-02	9041105-02	9041105-02	Purge Valve - 9041086-02 is NLA
	9041105-101	9041105-101	9041105-101	9041105-101	9041105-101	Purge Valve Mounting Bracket
23	9021010-04	9021010-04	9021010-04	9021010-04	9021010-04	Clamp
24	3051222-18	3051222-18	3051222-18	3051222-18	3051222-18	Purge Drain Hose
25	9021010-04	9021010-04	9021010-04	9021010-04	9021010-04	Clamp
26	9091140-01	9091140-01	9091140-01	9091140-01	9091140-01	Purge Drain Fitting

Note: When installing a 9041105 Series Purge Valve the 9041105-101 Mounting Bracket is required.

Note: The evaporators include elbow kits.



See Page 7A for Fan Motor Specifics

Item No.	Model Number					Description
1	ICE0805	ICE0806	ICE1005	ICE1006	ICE1007	
1	9181107-12					Compressor NLA, Use 9181140-12
1	9181140-12					Compressor, See below
1		9161108-11				Compressor NLA, Use 9181139-11
1		9181139-11				Compressor, See below
1			9181090-12			Compressor NLA, Use 9181141-12
1			9181141-12			Compressor, See below
1				9181107-11		Compressor NLA, Use 9181140-11
1				9181140-11		Compressor, See Below
1					9181107-13	Compressor NLA, Use 9181140-13
1					9181140-13	Compressor, See Below
2	9151123-02	9151123-02	9151123-02	9151123-02	9151123-02	Hot Gas Valve Body
3	9151123-04	9151123-04	9151123-04	9151123-04	9151123-04	Hot Gas Valve Coil
4	9041104-101A	9041104-101A	9041104-101A	9041104-101A	9041104-101A	Low Pressure Control Replaces 9041094-01
5	9151163-03	9151163-03	9151163-03	9151163-03	9151163-03	Filter Drier (Replaces 9151004-04)
6	9091086-02	9091086-02	9091086-02	9091086-02	9091086-02	Service Valve Core
6A	9091086-01	9091086-01	9091086-01	9091086-01	9091086-01	Service Valve Body
7	9091086-03	9091086-03	9091086-03	9091086-03	9091086-03	Service Valve Cap
8	9141122-01	9141122-01	9141122-01	9141122-01	9141122-01	Condenser
9	9041106-01	9041106-01	9041106-01	9041106-01	9041106-01	Fan Control 9041096-01 is NLA
10	9151147-101	9151147-101	9151184-107	9151184-107	9151184-107	Expansion Valve*
11	9131465-01	9131465-01	9131465-01	9131465-01	9131465-01	Insulation-Danfoss Expansion Valve
12	3012742-01	3012742-01	3012741-01	3012741-01	3012741-01	Fan Shroud
16	9041098-01	9041098-01	9041098-01	9041098-01	9041098-01	High Temperature Safety Control
17	9131353-02	9131353-02	9131353-02	9131353-02	9131353-02	Insulation Panel Bottom
18	9131456-01	9131456-01	9131456-01	9131456-01	9131456-01	Insulation Panel Top Divider
19	9031154-01	9031154-01	9031154-01	9031154-01	9031154-01	Insulation Clip
NS	9041091-01					High Pressure Control-ICE0805A5
NS		9041091-01				High Pressure Control-ICE0806A7

Reference Page 18 for specific compressor components.

9181107-12=NLA=CS12K6E-PFJ-235

9181140-12=CS12K6E-PFJ-255

9181106-11=NLA=CS10K6E-PFV-235

9181139-11=CS10K6E-PFV-255

9181090-12=NLA=CS14K6E-PFJ-235

9181141-12=CS14K6E-PFJ-255

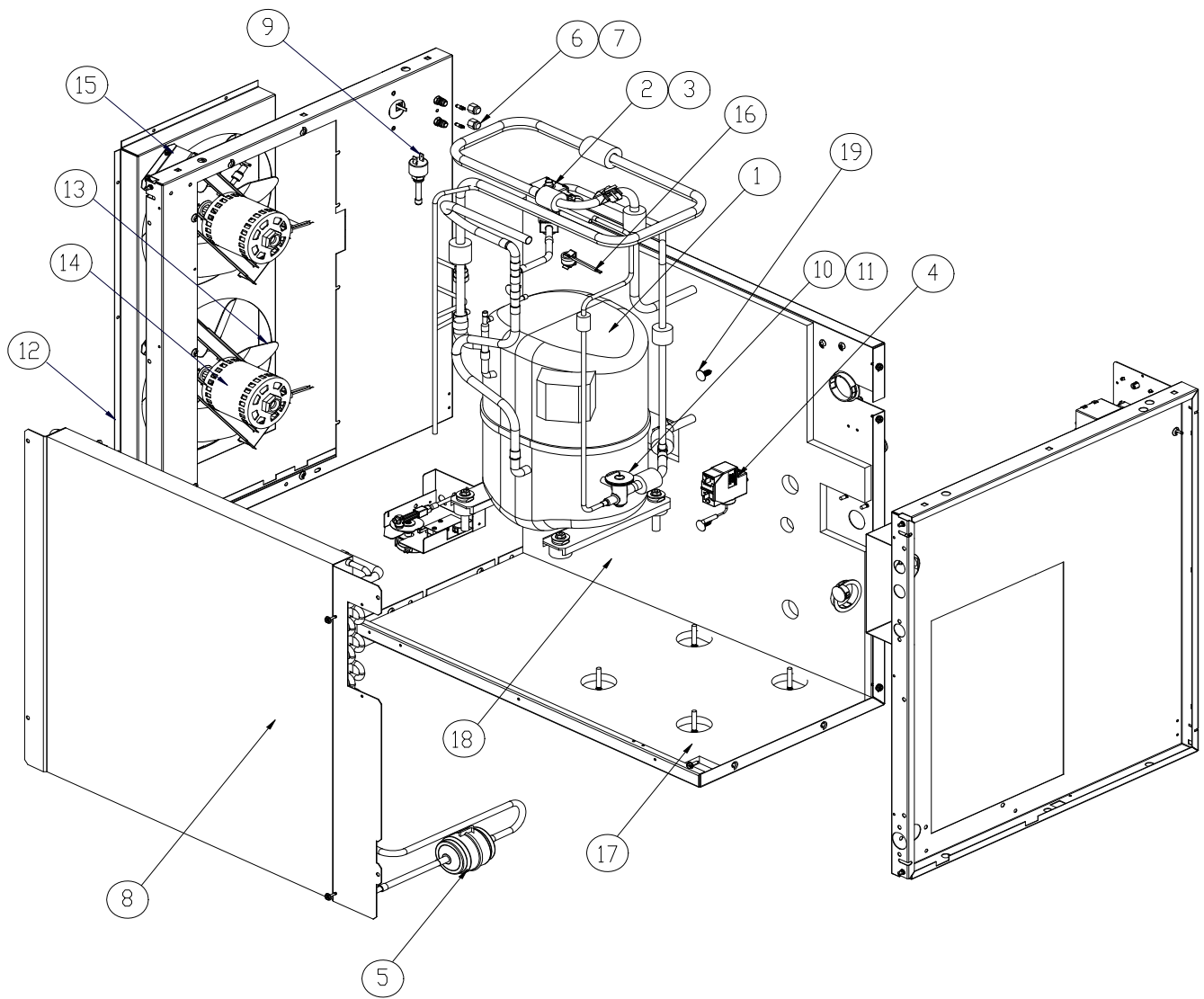
9181107-11=NLA=CS12K6E-PFV-235

9181140-11=CS12K6E-PFV-255

9181107-13=NLA=CS12K6E-TF5

9181140-13=CS12K6E-TF5-255

*Expansion Valve includes Cable Tie, TXV Bulb Strap, Insulation Pad and the Expansion Valve.



ICE Series Service Parts

Air Cooled - Fan Motors

Check the Fan Motor MFG Number and the IOM Part Number to insure the correct motor is ordered.

Item No.	Model Number					Description
	ICE0805	ICE0806	ICE1005	ICE1006	ICE1007	
12	3012742-01	3012742-01	3012741-01	3012741-01	3012741-01	Fan Shroud
13	9131383-01					Fan Blade
14	9161078-02*					Fan Motor-EMS ESPL35EM25=NLA
15	2021612-01					Fan Motor Bracket
13	9131383-01					Fan Blade From SN14071280012020
14	9161124-02					Fan Motor From SN14071280012020
15	3013252-01					Fan Motor Bracket From SN14071280012020
13		9131332-02				Fan Blade
14		9161089-03**				Fan Motor AO Smith=NLA-See Below
15		3012527-01				Fan Motor Bracket
13		9131383-01				Fan Blade From SN14071280012973
14		9161124-03				Fan Motor From SN14071280012973
15		3013252-01				Fan Motor Bracket From SN14071280012973
13			9131383-01			Fan Blade
14			9161078-02*			Fan Motor-EMS ESPL35EM25=NLA
15			2021612-01			Fan Motor Bracket
13			9131383-01			Fan Blade From SN14071280012956
14			9161124-02			Fan Motor From SN14071280012956
15			3013252-01			Fan Motor Bracket From SN14071280012956
13				9131333-01		Fan Blade
14				9161089-03**		Fan Motor AO Smith=NLA-See Below
15				3012527-01		Fan Motor Bracket
13				9131383-01		Fan Blade (From SN 11071280011083)
14				9161078-03***		Fan Motor (From SN 11071280011083)
15				3013252-01		Fan Motor Brkt (From SN 11071280011083)
13				9131383-01		Fan Blade From SN14071280011562
14				9161124-03		Fan Motor From SN14071280011562
15				3013252-01		Fan Motor Bracket From SN14071280011562
13					9131333-01	Fan Blade
14					9161089-03**	Fan Motor
15					3012527-01	Fan Motor Bracket
13					9131383-01	Fan Blade (From SN 11071280011083)
14					9161078-03***	Fan Motor (From SN 11071280011083)
15					3013252-01	Fan Motor Brkt (From SN 11071280011083)
13					9131383-01	Fan Blade From SN14071280012193
14					9161124-03	Fan Motor From SN14071280012193
15					3013252-01	Fan Motor Bracket From SN14071280012193

Note: The ICE800 series has 1 fan motor, the ICE1000 series has 2 fan motors.

*Note: 9161078-02 Fan Motor is NLA, Use PN 9161124-02 (includes a new Fan Motor)

9161078-02 - EM&S ESPL35EM25

9161124-02 - EM&S ESPL35EMV25

**Note: 9161089-03 Fan Motor is NLA, Use Kit PN 1051209-03 (includes new Fan Motor, Fan Blade and Bracket)

9161089-03 = AO Smith MFG, JA2Y026N

1051209-03 Includes:

Fan Blade PN 9131383-01

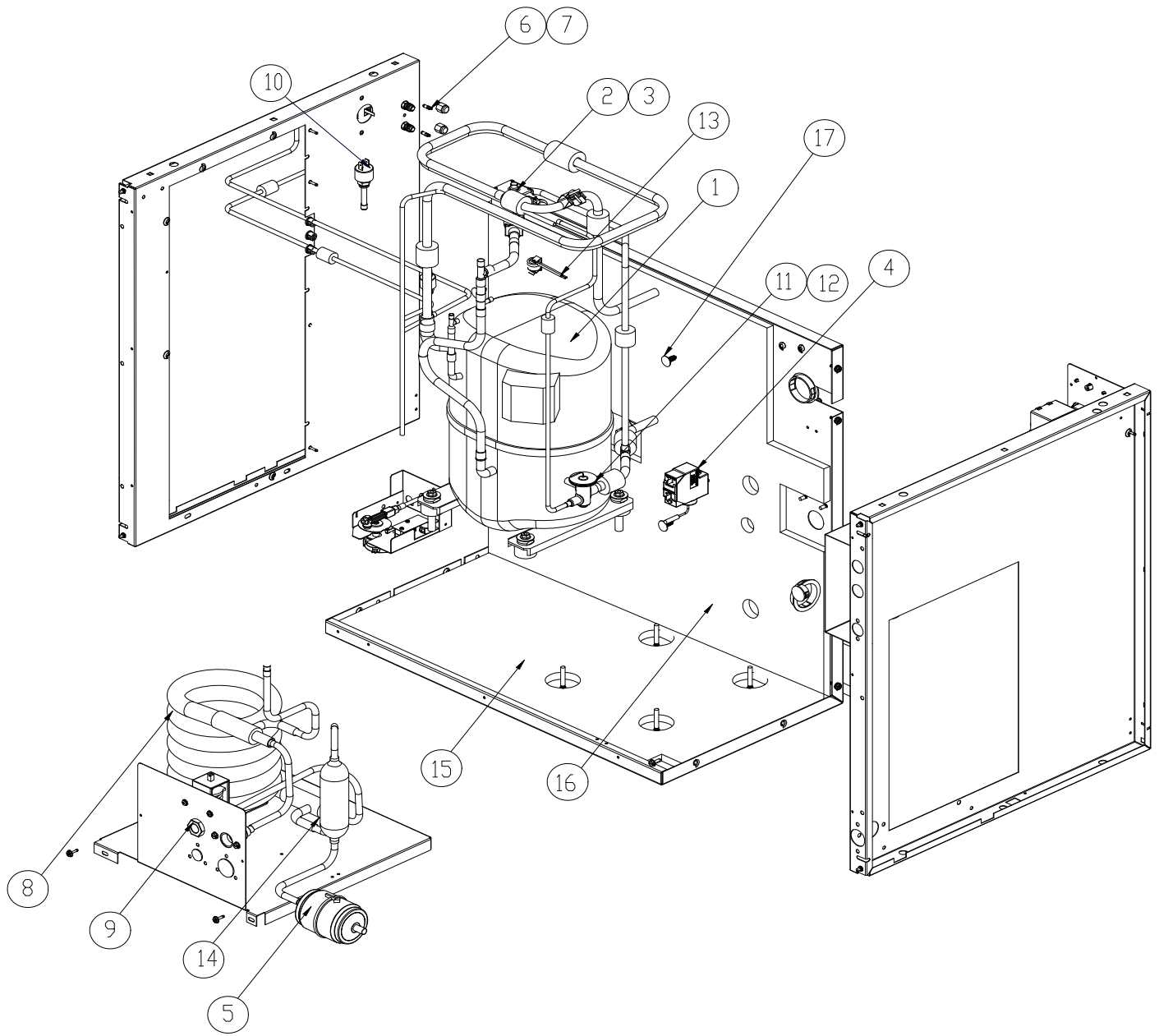
Fan Motor PN 9161124-03 EM&S ESPL35EMV2

Fan Motor Bracket PN 3013252-01

***Note: 9161078-03 Fan Motor is NLA, Use PN 9161124-03 (includes a new Fan Motor)

9161078-03 - EM&S ESPL35EM25

9161124-03 - EM&S ESPL35EMV2



ICE Series Service Parts

Water Cooled

Item	Model Number					
No.	ICE0805	ICE0806	ICE1005	ICE1006	ICE1007	Description
1	9181107-12					Compressor NLA, Use 9181140-12
1	9181140-12					Compressor, See below
1		9161106-11				Compressor NLA, Use 9181139-11
1		9181139-11				Compressor, See below
1			9181090-12			Compressor NLA, Use 9181141-12
1			9181141-12			Compressor, See below
1				9181107-11		Compressor NLA, Use 9181140-11
1				9181140-11		Compressor, See Below
1					9181107-13	Compressor NLA, Use 9181140-13
1					9181140-13	Compressor, See Below
2	9151148-01	9151148-01	9151148-01	9151148-01	9151148-01	Hot Gas Valve Body
3	9151123-04	9151123-04	9151123-04	9151123-04	9151123-04	Hot Gas Valve Coil
4	9041104-101A	9041104-101A	9041104-101A	9041104-101A	9041104-101A	Low Pressure Control Replaces 9041094-01
5	9151163-02	9151163-02	9151163-02	9151163-02	9151163-02	Filter Drier (Replaces 9151004-03)
6	9091086-02	9091086-02	9091086-02	9091086-02	9091086-02	Service Valve Core
6A	9091086-01	9091086-01	9091086-01	9091086-01	9091086-01	Service Valve Body
7	9091086-03	9091086-03	9091086-03	9091086-03	9091086-03	Service Valve Cap
8	9141061-02	9141061-02	9141061-02	9141061-02	9141061-02	Condenser
9	9041059-01	9041059-01	9041059-01	9041059-01	9041059-01	Water Valve
10	9041091-01	9041091-01	9041091-01	9041091-01	9041091-01	High Pressure Control
11	9151147-101	9151147-101	9151184-107	9151184-107	9151184-107	Expansion Valve*
12	9131465-01	9131465-01	9131465-01	9131465-01	9131465-01	Insulation-Danfoss Expansion Valve
13	9041098-01	9041098-01	9041098-01	9041098-01	9041098-01	High Temperature Safety Control
14	9151155-01	9151155-01	9151155-01	9151155-01	9151155-01	Accumulator
15	9131353-02	9131353-02	9131353-02	9131353-02	9131353-02	Insulation Panel Bottom
16	9131456-01	9131456-01	9131456-01	9131456-01	9131456-01	Insulation Panel Top Divider
17	9031154-01	9031154-01	9031154-01	9031154-01	9031154-01	Insulation Clip

Reference Page 18 for specific compressor components.

9181107-12=NLA=CS12K6E-PFJ-235

9181140-12=CS12K6E-PFJ-255

9181106-11=NLA=CS10K6E-PFV-235

9181139-11=CS10K6E-PFV-255

9181090-12=NLA=CS14K6E-PFJ-235

9181141-12=CS14K6E-PFJ-255

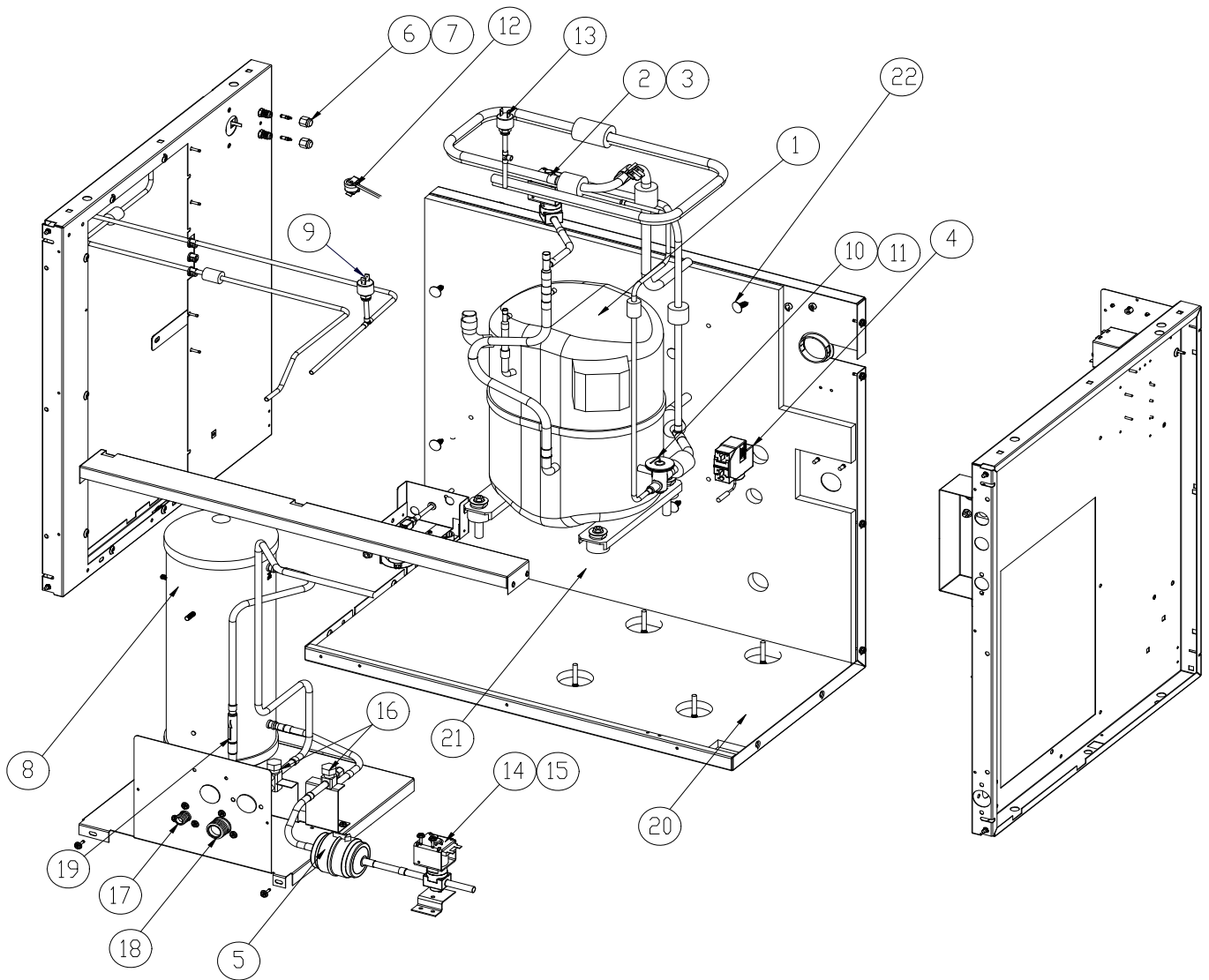
9181107-11=NLA=CS12K6E-PFV-235

9181140-11=CS12K6E-PFV-255

9181107-13=NLA=CS12K6E-TF5

9181140-13=CS12K6E-TF5-255

*Expansion Valve includes Cable Tie, TXV Bulb Strap, Insulation Pad and the Expansion Valve.



ICE Series Service Parts

Remote

Item No.	Model Number					Description
	ICE0805	ICE0806	ICE1005	ICE1006	ICE1007	
1	9181107-12					Compressor NLA, Use 9181140-12
1	9181140-12					Compressor, See below
1		9161106-11				Compressor NLA, Use 9181139-11
1		9181139-11				Compressor, See below
1			9181090-12			Compressor NLA, Use 9181141-12
1			9181141-12			Compressor, See below
1				9181090-11		Compressor NLA, Use 9181141-11
1				9181141-11		Compressor, See Below
1					9181107-13	Compressor NLA, Use 9181140-13
1					9181140-13	Compressor, See Below
2	9151123-02	9151123-02	9151123-02	9151123-02	9151123-02	Hot Gas Valve Body
3	9151123-04	9151123-04	9151123-04	9151123-04	9151123-04	Hot Gas Valve Coil
4	9041104-101A	9041104-101A	9041104-101A	9041104-101A	9041104-101A	Low Pressure Control Replaces 9041094-01
5	9151163-03	9151163-03	9151163-03	9151163-03	9151163-03	Filter Drier (Replaces 9151004-04)
6	9091086-02	9091086-02	9091086-02	9091086-02	9091086-02	Service Valve Core
6A	9091086-01	9091086-01	9091086-01	9091086-01	9091086-01	Service Valve Body
7	9091086-03	9091086-03	9091086-03	9091086-03	9091086-03	Service Valve Cap
8	9151060-01	9151060-01	9151060-01	9151060-01	9151060-01	Receiver
9	9041091-01	9041091-01	9041091-01	9041091-01	9041091-01	High Pressure Control
10	9151147-101	9151147-101	9151184-107	9151184-107	9151184-107	Expansion Valve*
11	9131465-01	9131465-01	9131465-01	9131465-01	9131465-01	Insulation Danfoss Expansion Valve
12	9041098-01	9041098-01	9041098-01	9041098-01	9041098-01	High Temperature Safety Control
13	9041092-02	9041092-02	9041092-02	9041092-02	9041092-02	Pump Down Control
14	9151123-02	9151123-02	9151123-02	9151123-02	9151123-02	Liquid Line Solenoid Body
15	9151123-04	9151123-04	9151123-04	9151123-04	9151123-04	Liquid Line Solenoid Coil
16	9091143-01	9091143-01	9091143-01	9091143-01	9091143-01	Valve-Shut Off
17	9091001-11	9091001-11	9091001-11	9091001-11	9091001-11	Remote Fitting 3/8 Male
18	9091001-12	9091001-12	9091001-12	9091001-12	9091001-12	Remote Fitting 1/2 Male
19	9151139-01	9151139-01	9151139-01	9151139-01	9151139-01	Check Valve
20	9131353-02	9131353-02	9131353-02	9131353-02	9131353-02	Insulation Panel Bottom
21	9131456-01	9131456-01	9131456-01	9131456-01	9131456-01	Insulation Panel Top Divider
22	9031154-01	9031154-01	9031154-01	9031154-01	9031154-01	Insulation Clip

Reference Page 18 for specific compressor components.

9181107-12=NLA=CS12K6E-PFJ-235

9181140-12=CS12K6E-PFJ-255

9181106-11=NLA=CS10K6E-PFV-235

9181139-11=CS10K6E-PFV-255

9181090-12=NLA=CS14K6E-PFJ-235

9181141-12=CS14K6E-PFJ-255

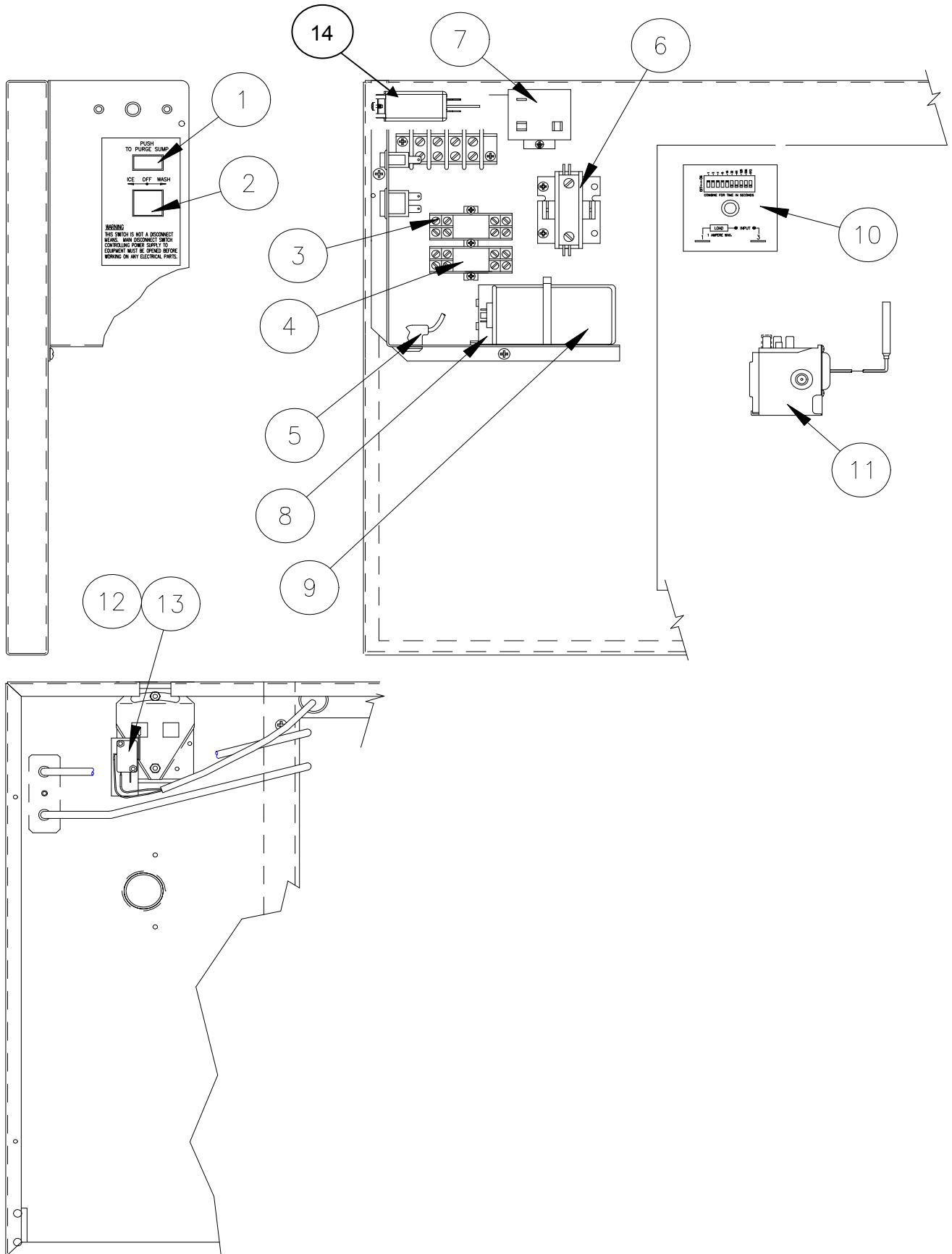
9181090-11=NLA=CS14K6E-PFV-235

9181141-11=CS14K6E-PFV-255

9181107-13=NLA=CS12K6E-TF5

9181140-13=CS12K6E-TF5-255

*Expansion Valve includes Cable Tie, TXV Bulb Strap, Insulation Pad and the Expansion Valve.



Item No.	Model Number					Description
	ICE0805	ICE0806	ICE1005	ICE1006	ICE1007	
1	9101139-03	9101139-03	9101139-03	9101139-03	9101139-03	Purge Switch 9101348-01 is NLA
	9101139-03	9101139-03	9101139-03	9101139-03	9101139-03	Purge Switch 1051208-01 is NLA
2	9101195-01	9101195-01	9101195-01	9101195-01	9101195-01	ON-OFF-WASH Switch 9101349-01 is NLA
3	9101083-01	9101083-01	9101083-01	9101083-01	9101083-01	Relay Socket
4	9101084-02	9101084-02	9101084-02	9101084-02	9101084-02	Relay
5	9101218-12	9101218-12	9101218-12	9101218-12	9101218-12	Water Pump Cord
6	9101002-06	9101002-06	9101002-06	9101002-06	9101079-02	Contactator
7	See Page 18	See Page 18	See Page 18	See Page 18	N/A	Compressor Start Relay
8	See Page 18	See Page 18	See Page 18	See Page 18	N/A	Start Capacitor
9	See Page 18	See Page 18	See Page 18	See Page 18	N/A	Run Capacitor
10	9101148-01	9101148-01	9101148-01	9101148-01	9101148-01	Timer
11	9041104-101A	9041104-101A	9041104-101A	9041104-101A	9041104-101A	Low Pressure Control (Replaces 9041094-01)
12	2061471-03	2061471-03	2061471-03	2061471-03	2061471-03	Curtain Switch Assembly
13	9101124-02	9101124-02	9101124-02	9101124-02	9101124-02	Curtain Switch
14	9041004-02	9041004-02	9041004-02	9041004-02	9041004-02	Bin Thermostat

Reference Page 18 for specific compressor components



1051210-XX Reference Page 15 for Specific Model Number and Part Number

- The **1051210-XX** assembly will fit all ICE Models from October 1999 and EC Models.
- Units installed with a double cam switch, either Field installed or Factory installed will require the complete assembly and a potential wiring change as per the New Wiring Diagram included with the assembly.
- Individual component parts are not available for the **1051210-XX** assembly.
- Individual component parts are No Longer Available for previous version of the Harvest Assist Assembly
- Parts for the **2061962-XX** Harvest Assist Assembly are not compatible with **1051210-XX** Harvest Assist Assembly.
- Proper assembly and alignment of the parts is critical to proper operation, this includes cam and probe alignment.
- If a **1051210-XX** assembly fails, it must be returned to Ice-O-Matic.

ICE Series Service Parts

Harvest Assist Assembly

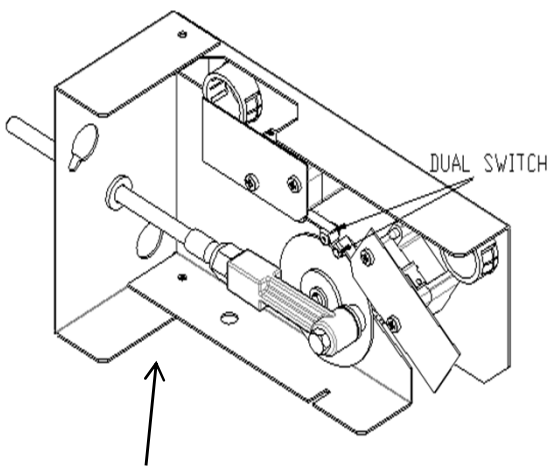
Reference the Model Number below for the specific Harvest Assist Assembly

Item No.	Model Number					Description
	ICE0805	ICE0806	ICE1005	ICE1006	ICE1007	
1	1051210-02A	1051210-02A	1051210-02A	1051210-02A	1051210-02A	Complete Assembly
	2061962-02S	2061962-02S	2061962-02S	2061962-02S	2061962-02S	No Longer Available

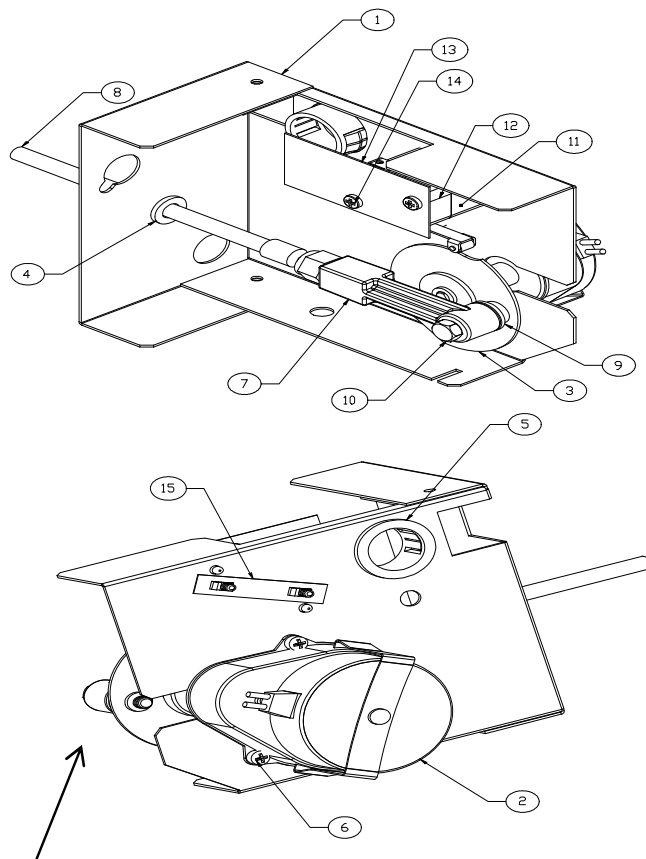
1051210-XXA are only supplied as complete assemblies, individual components are not available.

Please reference the above Model Numbers to insure the correct assembly is supplied

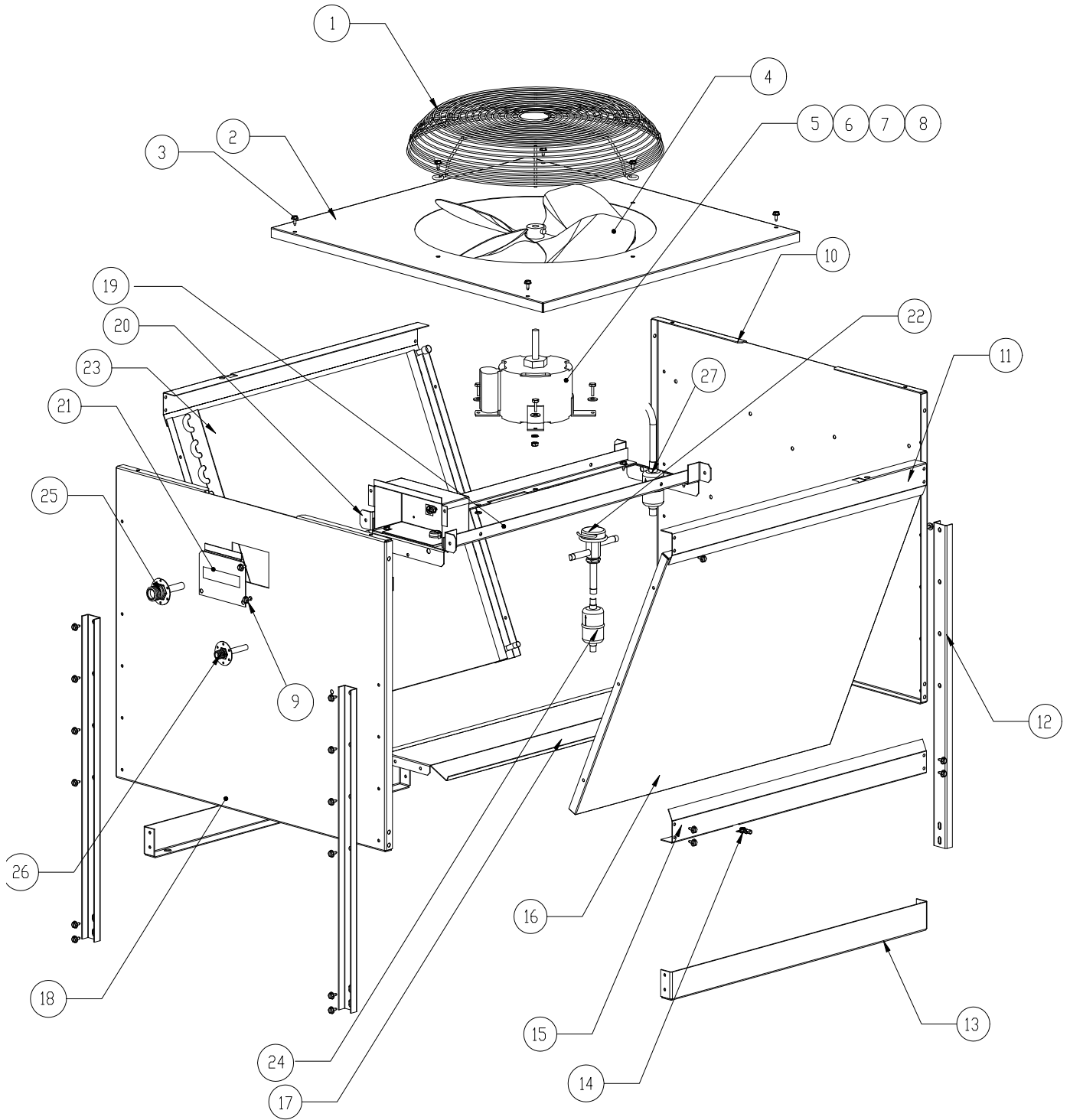
THE DUAL CAM SWITCH HARVEST ASSIST ASSEMBLIES ARE NO LONGER AVAILABLE



1051199-01	No Longer Available
1051200-01	No Longer Available
1051201-01	No Longer Available
1051202-01	No Longer Available
1051207-01	No Longer Available



2061962-01S	No Longer Available
2061962-02S	No Longer Available



ICE0500R	ICE0600R	ICE0800R4 ICE1000R4	ICE1400R4 ICE1506R3	ICE1800R4 ICE2100R4
----------	----------	------------------------	------------------------	------------------------

Item	VRC1001	VRC1061	VRC2061	VRC2661	VRC5061	Description
1	9131452-01	9131452-01	9131452-01	9131452-01	9131460-01	Fan Guard
2	3013222-01	3013222-01	3013222-01	3013222-01	3013303-01	Top Panel
3	9031019-04	9031019-04	9031019-04	9031019-04	9031019-04	1/4-20 x 1/2 Screw
4	9131451-01	9131451-01	9131451-01	9131451-01	9131461-01	Fan Blade
5	9161117-02	9161117-01	9161117-01	9161117-01	9161118-01	Fan Motor
6	9031001-02	9031001-02	9031001-02	9031001-02	9031001-02	1/4-20 x 3/4 Cap Screw
7	9031003-01	9031003-01	9031003-01	9031003-01	9031003-01	Flat Washer
8	9031118-02	9031118-02	9031118-02	9031118-02	9031118-02	Flanged Lock Nut
9	9031019-04	9031019-04	9031019-04	9031019-04	9031019-04	1/4-20 x 1/2 Screw
10	3013224-01	3013224-01	3013224-01	3013224-01	3013224-01	Rear Panel
11	3013226-01	3013226-01	3013226-01	3013226-01	3013305-01	Brace
12	3013227-01	3013227-01	3013227-01	3013227-01	3013227-01	Leg
13	3013228-01	3013228-01	3013228-01	3013228-01	3013306-01	Leg Brace
14	N/A	N/A	N/A	N/A	N/A	T-Nut-Shipping Only
15	3013226-01	3013226-01	3013226-01	3013226-01	3013305-01	Brace
16	3013232-01	3013232-01	N/A	N/A	N/A	Cover Panel
17	3013225-01	3013225-01	3013225-01	3013225-01	3013304-01	Center Panel
18	3013223-01	3013223-01	3013223-01	3013223-01	3013223-01	Front Panel
19	3013234-01	3013234-01	3013234-01	3013234-01	3013307-01	Motor Brace
20	3013233-01	3013233-01	3013233-01	3013233-01	3013233-01	Motor Brace Support
21	3013229-01	3013229-01	3013229-01	3013229-01	3013229-01	Junction Box Cover
22	9151027-07	9151027-06	9151027-07	9151027-07	9151027-07	Mixing Valve
23	9141135-01	9141135-01	9141135-01	9141136-01	9141137-01	Condenser
24	9151143-01	9151143-01	9151143-01	9151143-01	9151143-01	Filter
25	9091001-12	9091001-12	9091001-12	9091001-12	9091001-12	1/2 Coupling
26	9091001-11	9091001-11	9091001-11	9091001-11	9091001-11	3/8 Coupling
27	9151143-02	9151143-02	9151143-02	9151143-02	9151143-02	Filter

Model Number

ICE0805	ICE0806	ICE1005	ICE1006	ICE1007	
9181107-12	9181106-11	9181090-12	See Below	9181107-13	Compressor
9181003-32	9181003-07	9181003-07	See Below	N/A	Start Capacitor
9181009-17	9181009-16	9181009-12	See Below	N/A	Run Capacitor
9181010-04	9181010-12	9181010-12	See Below	N/A	Relay

ICE1006 Air and Water

9181107-11		Compressor NLA
9181003-07		Start Capacitor
9181009-16		Run Capacitor
9181010-12		Relay

ICE1006 Remote

9181090-11		Compressor NLA
9181003-19		Start Capacitor
9181009-12		Run Capacitor
9181010-10		Relay

Reference the compressor model number to insure the correct starting components are ordered

9181107-12					CS12K6E-PFJ-235
	9181106-11				CS10K6E-PFV-235
		9181090-12			CS146E-PFJ-235
			9181107-11		CS12K6E-PFV-235 NLA
			9181090-11		CS14K6E-PFV-235 NLA
				9181107-13	CS12K6E-TF5

The following compressors are no longer available and have been replaced with the compressor kits below.

9181107-12				→	9181140-12 CS12K6E-PFJ-255
	9181106-11			→	9181139-11 CS10K6E-PFV-255
		9181090-12		→	9181141-12 CS14K6E-PFJ-255
			9181107-11	→	9181140-11 CS12K6E-PFV-255
			9181090-11	→	9181141-11 CS14K6E-PFV-255
				9181107-13	9181140-13 CS12K6E-TF5-255

Reference the compressor model number to insure the correct starting components are ordered

ICE0805	ICE0806	ICE1005	ICE1006	ICE1007	
9181140-12	9181139-11	9181141-12	See Below	9181140-13	Compressor
9181003-32	9181003-07	9181003-07	See Below	N/A	Start Capacitor
9181009-17	9181009-16	9181009-12	See Below	N/A	Run Capacitor
9181010-04	9181010-12	9181010-12	See Below	N/A	Relay

ICE1006 Air and Water

9181140-11		Compressor CS12K6E-PFV-255
9181003-07		Start Capacitor
9181009-16		Run Capacitor
9181010-12		Relay

ICE1006 Remote

9181141-11		Compressor CS14K6E-PFV-255
9181003-19		Start Capacitor
9181009-12		Run Capacitor
9181010-10		Relay

A = Air Cooled

W= Water Cooled

R= Remote