

## SERVICE PARTS MANUAL ICE SERIES CUBERS

ICE0806 A1, W1 and R1 Includes 50 Hz models

ICE0806 A2, W2 and R2 Includes 50 Hz models

ICE0806 R3 Includes 50 Hz models

*ICE0806 A2A, W2A and R3A Includes 50 Hz models*

ICE1006 A1, W1 and R1 Includes 50 Hz models

ICE1006 A2, W2 and R2 Includes 50 Hz models

ICE1006 R3 Includes 50 Hz models

*ICE1006 A2A, W2A and R3A Includes 50 Hz models*



14-1011

Date 8/29/16



# ICE Series Service Parts

This parts list contains the service parts available for the ICE Series icemakers listed below.

**RED=No Longer Available**

**ICE0806 A1, W1 and R1 Includes 50 Hz models**

**ICE0806 A2, W2 and R2 Includes 50 Hz models**

**ICE0806 R3 Includes 50 Hz models**

**ICE0806 A2A, W2A and R3A Includes 50 Hz models**

**ICE1006 A1, W1 and R1 Includes 50 Hz models**

**ICE1006 A2, W2 and R2 Includes 50 Hz models**

**ICE1006 R3 Includes 50 Hz models**

**ICE1006 A2A, W2A and R3A Includes 50 Hz models**

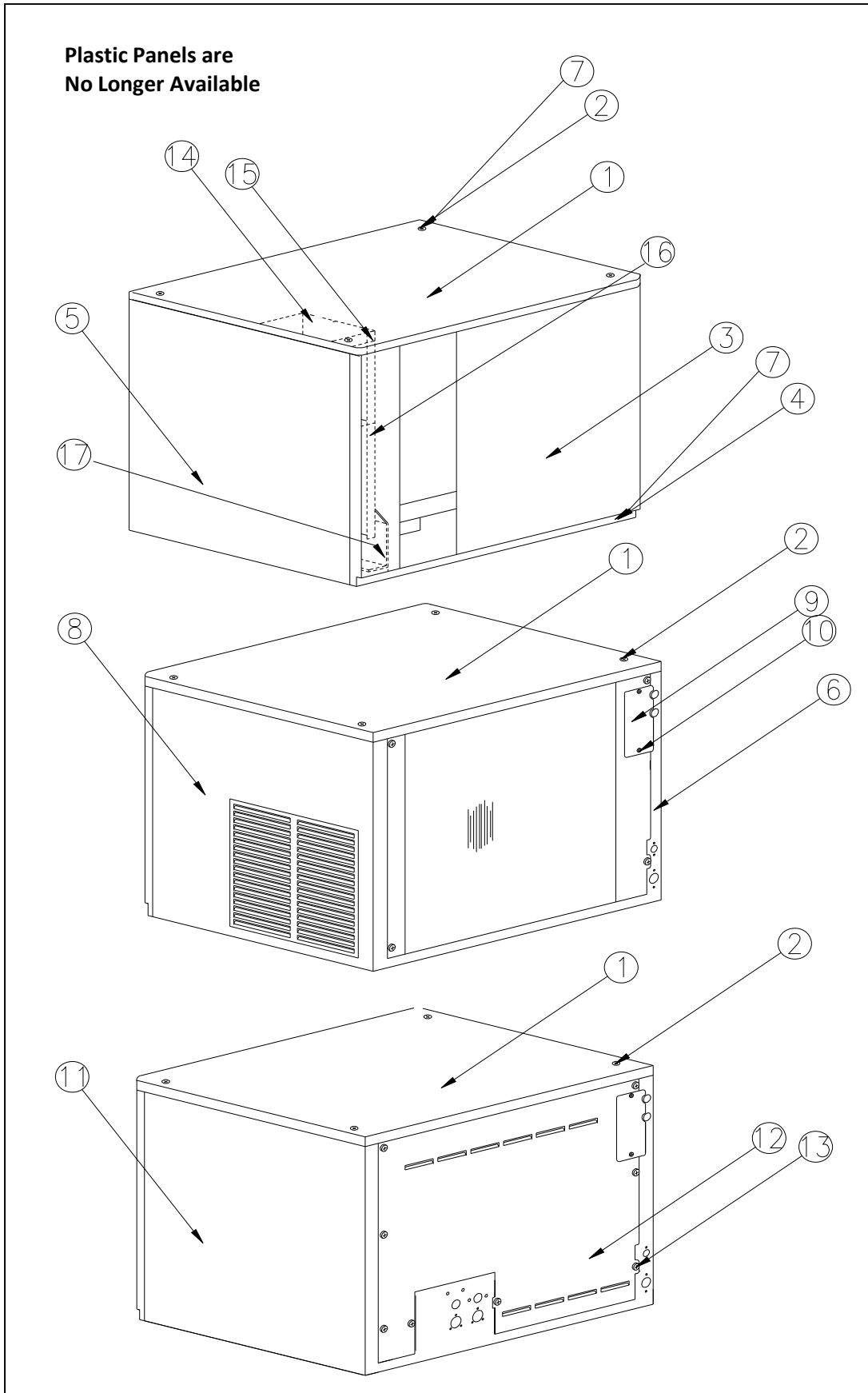
Check the model number on the data plate and refer to the correct listing for the specific component.

Check carefully that the correct part is identified and ordered.

<b>Table of Contents</b>	<b>Page 1</b>
<b>Exterior Components</b>	<b>Page 2 - 3</b>
<b>Interior Components-Front View</b>	<b>Page 4 - 5</b>
<b>Air Cooled</b>	<b>Page 6 - 7</b>
<b>Water Cooled</b>	<b>Page 8 - 9</b>
<b>Remote</b>	<b>Page 10 - 11</b>
<b>Control Box</b>	<b>Page 12 - 13</b>
<b>Harvest Assist Assembly</b>	<b>Page 14 - 15</b>
<b>Remote Condenser</b>	<b>Page 16 - 19</b>
<b>Compressor Information</b>	<b>Page 20</b>

Ice-O-Matic  
11100 East 45th Ave.  
Denver Co. 80239  
866-PUREICE

The ICE Series Service manual is available separately, Part number 9081270-01



## ICE Series Service Parts

## Exterior Components

Item No.	Description	Model Number				
		ICE0805	ICE0806	ICE1005	ICE1006	ICE1007
1	Top Panel-Air Cooled <b>NLA</b>	2101285-01S	2101285-01S	2101285-01S	2101285-01S	2101285-01S
1	Top Panel-Water and Remote <b>NLA</b>	9051466-01	9051466-01	9051466-01	9051466-01	9051466-01
1	Top Panel-Wall Hugger <b>NLA</b>	9051466-03	9051466-03	9051466-03	9051466-03	9051466-03
2	Top Panel Screw	9031098-02	9031098-02	9031098-02	9031098-02	9031098-02
3	Front Panel <b>NLA</b>	2031465-03	2031465-03	2031465-03	2031465-03	2031465-03
4	Front Panel Screw	9031098-02	9031098-02	9031098-02	9031098-02	9031098-02
5	LH Side Panel <b>NLA</b>	3021773-01	3021773-01	3021773-01	3021773-01	3021773-01
6	Side Panel Screws	9031046-02	9031046-02	9031046-02	9031046-02	9031046-02
7	Plastic Nut Insert	9031141-01	9031141-01	9031141-01	9031141-01	9031141-01
8	RH Side Panel- <b>Louvered NLA</b>	3021794-01	3021794-01	3021794-01	3021794-01	3021794-01
9	Junction Box Cover	3012681-01	3012681-01	3012681-01	3012681-01	3012681-01
10	Junction Box Cover Screw	9031046-01	9031046-01	9031046-01	9031046-01	9031046-01
11	RH Side Panel- <b>Solid NLA</b>	3021775-01	3021775-01	3021775-01	3021775-01	3021775-01
12	Rear Panel	3021740-01	3021740-01	3021740-01	3021740-01	3021740-01
13	Rear Panel Screw	9031046-01	9031046-01	9031046-01	9031046-01	9031046-01
14	Control Box Top Cover	3012905-01	3012905-01	3012905-01	3012905-01	3012905-01
15	Control Box Side Cover	3012891-01	3012891-01	3012891-01	3012891-01	3012891-01
16	Control Box Screws	9031046-01	9031046-01	9031046-01	9031046-01	9031046-01

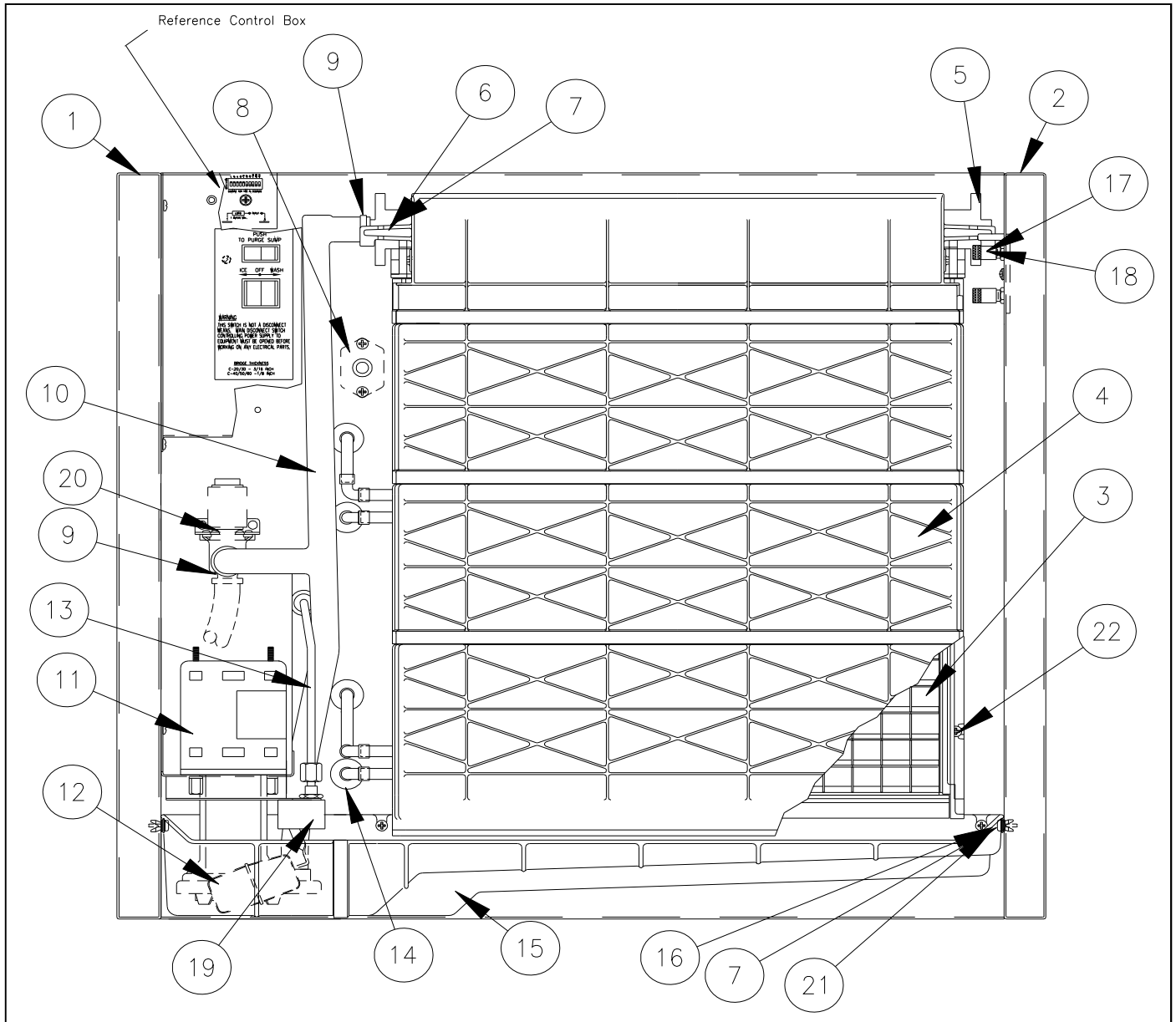
**Plastic Panels are No Longer Available - NLA = No Longer Available**

**ICE0806 A2A, W2A and R3A Includes 50 Hz models**

**ICE1006 A2A, W2A and R3A Includes 50 Hz models**

Item No.	Description	Model Number				
		ICE0805	ICE0806	ICE1005	ICE1006	ICE1007
1	Top Panel <b>NLA</b>	2101425-01S	2101425-01S	2101425-01S	2101425-01S	2101425-01S
3	Front Panel <b>NLA</b>	2031511-02S	2031511-02S	2031511-02S	2031511-02S	2031511-02S
3	Front Panel End Cap, Right Hand	9051562-03	9051562-03	9051562-03	9051562-03	9051562-03
3	Front Panel End Cap, Left Hand	9051562-04	9051562-04	9051562-04	9051562-04	9051562-04
4	Front Panel Screws	9031098-04	9031098-04	9031098-04	9031098-04	9031098-04
5	Left Hand Side Panel <b>NLA</b>	9051565-04	9051565-04	9051565-04	9051565-04	9051565-04
7	Plastic Nut	9031141-01	9031141-01	9031141-01	9031141-01	9031141-01
8	Right Side Panel- <b>Air Cooled NLA</b>	2101428-02	2101428-02	2101428-02	2101428-02	2101428-02
11	Right Side Panel-W & R <b>NLA</b>	9051565-04	9051565-04	9051565-04	9051565-04	9051565-04
12	Rear Panel	3021740-01	3021740-01	3021740-01	3021740-01	3021740-01
13	Rear Panel Screws	9031046-01	9031046-01	9031046-01	9031046-01	9031046-01
14	Control Box Top Cover	3012905-01	3012905-01	3012905-01	3012905-01	3012905-01
15	Control Box Side Cover	3012891-01	3012891-01	3012891-01	3012891-01	3012891-01
NA	Rear Brace	3012724-01	3012724-01	3012724-01	3012724-01	3012724-01
NA	Machine Compartment Cover	3012931-01	N/A	3012931-01	N/A	N/A

**Plastic Panels are No Longer Available - NLA = No Longer Available**



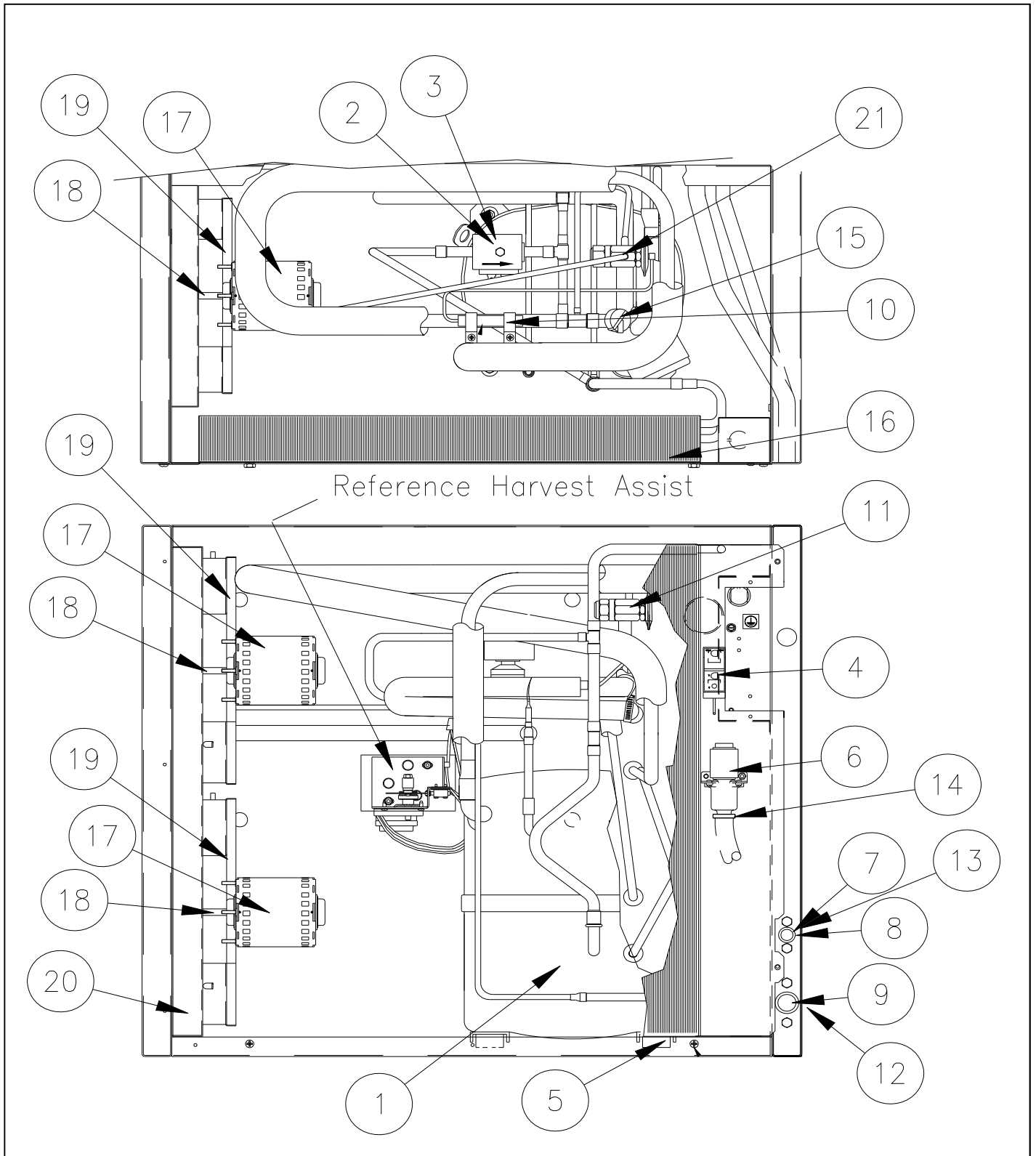
# ICE Series Service Parts

# Front Interior

Item No.	Description	Model Number				
		ICE0805	ICE0806	ICE1005	ICE1006	ICE1007
1	Left Hand Frame Panel <b>NLA</b>	2021524-02	2021524-02	2021524-02	2021524-02	2021524-02
2	Right Hand Frame Panel <b>NLA</b>	2021527-01	2021527-01	2021527-01	2021527-01	2021527-01
3	Evaporator-Full Cube	2051125-81	2051125-81	2051125-81	2051125-81	2051125-81
3	Evaporator-Half Cube	2051125-82	2051125-82	2051125-82	2051125-82	2051125-82
4	Evaporator Splash Curtain	9051154-12	9051154-12	9051154-12	9051154-12	9051154-12
5	Water Distribution Tube	2041338-01	2041338-01	2041338-01	2041338-01	2041338-01
6	Thumb Screw	9031122-01	9031122-01	9031122-01	9031122-01	9031122-01
7	Rubber Washer	9031004-19	9031004-19	9031004-19	9031004-19	9031004-19
8	High Pressure Control	9041051-04	9041051-04	9041051-04	9041051-04	9041051-04
9	Clamp	9021010-04	9021010-04	9021010-04	9021010-04	9021010-04
10	Water Pump Tube	9051472-01	9051472-01	9051472-01	9051472-01	9051472-01
11	Water Pump	9161079-03	9161079-03	9161079-03	9161079-03	9161079-03
	Thumbscrew / Pump (2 Req)	9161076-101	9161076-101	9161076-101	9161076-101	9161076-101
12	Float	9131111-101	9131111-101	9131111-101	9131111-101	9131111-101
13	Water Float Tube (26")	6021032-01	6021032-01	6021032-01	6021032-01	6021032-01
14	Snap Bushing	9051001-09	9051001-09	9051001-09	9051001-09	9051001-09
15	Water Return Trough	9051537-01	9051537-01	9051537-01	9051537-01	9051537-01
16	Water Return Trough Screw	9031046-24	9031046-24	9031046-24	9031046-24	9031046-24
17	Valve Core	9091086-02	9091086-02	9091086-02	9091086-02	9091086-02
18	Valve Cap	9091086-03	9091086-03	9091086-03	9091086-03	9091086-03
19	Caplug	9131026-02	9131026-02	9131026-02	9131026-02	9131026-02
20	<b>Purge Valve* (9041086 is NLA)</b>	9041105-02	9041105-02	9041105-02	9041105-02	9041105-02
21	Plastic Nut Insert	9031141-01	9031141-01	9031141-01	9031141-01	9031141-01
22	Evaporator Mounting Screw	9031046-01	9031046-01	9031046-01	9031046-01	9031046-01
	Evaporator Spillway	9051135-05	9051135-05	9051135-05	9051135-05	9051135-05
	Evaporator Side Panel - RH	9051170-03	9051170-03	9051170-03	9051170-03	9051170-03
	Evaporator Side Panel - LH	9051170-04	9051170-04	9051170-04	9051170-04	9051170-04
	Evaporator Water Return	9051135-04	9051135-04	9051135-04	9051135-04	9051135-04

**Please note:** Water Pumps are shipped with the Thumbscrews when ordered as a service replacement part.

**\* Models with Serial Number 2006 and older will require Service Kit 9041105-101**





Item No.	Description	Model Number				
		ICE0805	ICE0806	ICE1005	ICE1006	ICE1007
1	Compressor* (Reference Below)	<a href="#">9181140-12</a>	<a href="#">9181139-11</a>	<a href="#">9181141-12</a>	<a href="#">9181140-11</a>	<a href="#">9181140-13</a>
2	Hot Gas Valve Coil	9151123-04	9151123-04	9151123-04	9151123-04	9151123-04
3	Hot Gas Valve Body	9151123-01	9151123-01	9151123-01	9151123-01	9151123-01
4	Low Pres Control <b>9041094-01 NLA</b>	<a href="#">9041104-101A</a>	<a href="#">9041104-101A</a>	<a href="#">9041104-101A</a>	<a href="#">9041104-101A</a>	<a href="#">9041104-101A</a>
5	Filter Drier <b>9151104-04 NLA</b>	<a href="#">9151163-03</a>	<a href="#">9151163-03</a>	<a href="#">9151163-03</a>	<a href="#">9151163-03</a>	<a href="#">9151163-03</a>
6	Purge Valve* <b>9041086-02 NLA</b>	<a href="#">9041105-02</a>	<a href="#">9041105-02</a>	<a href="#">9041105-02</a>	<a href="#">9041105-02</a>	<a href="#">9041105-02</a>
7	Drop Adapter	9091074-01	9091074-01	9091074-01	9091074-01	9091074-01
8	Water Inlet Fitting	9091083-01	9091083-01	9091083-01	9091083-01	9091083-01
9	Purge Drain Fitting	9091140-01	9091140-01	9091140-01	9091140-01	9091140-01
10	Clamp-TXV Bulb	9021040-01	9021040-01	9021040-01	9021040-01	9021040-01
11	TXV - <b>ALCO NLA</b>	<a href="#">9151134-05</a>	<a href="#">9151134-05</a>	<a href="#">9151134-05</a>	<a href="#">9151134-05</a>	<a href="#">9151134-05</a>
12	Purge Drain Hose (1.5 Ft.)	6021015-06	6021015-06	6021015-06	6021015-06	6021015-06
13	Tube ( 2.17 Ft.)	6021032-01	6021032-01	6021032-01	6021032-01	6021032-01
14	Clamp	9021010-14	9021010-14	9021010-14	9021010-14	9021010-14
15	High Temp Safety	9041087-04	9041087-04	9041087-04	9041087-04	9041087-04
16	Air Condenser	9141103-01	9141103-01	9141103-01	9141103-01	9141103-01
16	Air Condenser (Beg. Mid Ser. H2)	9141122-01	9141122-01	9141122-01	9141122-01	9141122-01
17	Fan Motor** <b>NLA</b>	<a href="#">9161089-03</a>	<a href="#">9161089-03</a>	<a href="#">9161089-03</a>	<a href="#">9161089-03</a>	<a href="#">9161089-03</a>
18	Fan Blade	<a href="#">9131332-02</a>	<a href="#">9131332-02</a>	<a href="#">9131333-01</a>	<a href="#">9131333-01</a>	<a href="#">9131333-01</a>
19	Fan Mtr Bracket	<a href="#">3012527-01</a>	<a href="#">3012527-01</a>	<a href="#">3012527-01</a>	<a href="#">3012527-01</a>	<a href="#">3012527-01</a>
17	Fan Motor (Beg. Mid Ser. H2)***	<a href="#">9161078-02</a>		<a href="#">9161078-02</a>		
18	Fan Blade (Beg. Mid Ser. H2)	<a href="#">9131383-01</a>		<a href="#">9131383-01</a>		
19	Fan Mtr Brkt (Beg. Mid Ser. H2)	<a href="#">2021574-01</a>		<a href="#">2021574-01</a>		
20	Fan Shroud	3012742-01	3012742-01	3012741-01	3012741-01	3012741-01
21	TXV - <b>SPORLAN Assy**** NLA</b>	<a href="#">2041665-02</a>	<a href="#">2041665-02</a>	<a href="#">2041665-02</a>	<a href="#">2041665-02</a>	<a href="#">2041665-02</a>
21	TXV - <b>ALCO Assy**** NLA</b>	<a href="#">2041665-01S</a>	<a href="#">2041665-01S</a>	<a href="#">2041665-01S</a>	<a href="#">2041665-01S</a>	<a href="#">2041665-01S</a>
21	TXV Assembly****	<a href="#">2041982-01S</a>	<a href="#">2041982-01S</a>	<a href="#">2041982-01S</a>	<a href="#">2041982-01S</a>	<a href="#">2041982-01S</a>

\* Models with Serial Number 2006 and older will require Service Kit 9041105-101

Note: The ICE800 series has 1 fan motor, the ICE1000 series has 2 fan motors.

\* Note ICE0806 Air Cooled Compressor 9181106-11 is NLA, Replaced by [9181139-11](#)

\* Note ICE1006 Air Cooled Compressor 9181107-11 is NLA, Replaced by [9181140-11](#)

\* Note ICE0805 Air Cooled Compressor 9181107-12 is NLA, Replaced by [9181140-12](#)

\* Note ICE1005 Air Cooled Compressor 9181090-12 is NLA, Replaced by 9181141-12

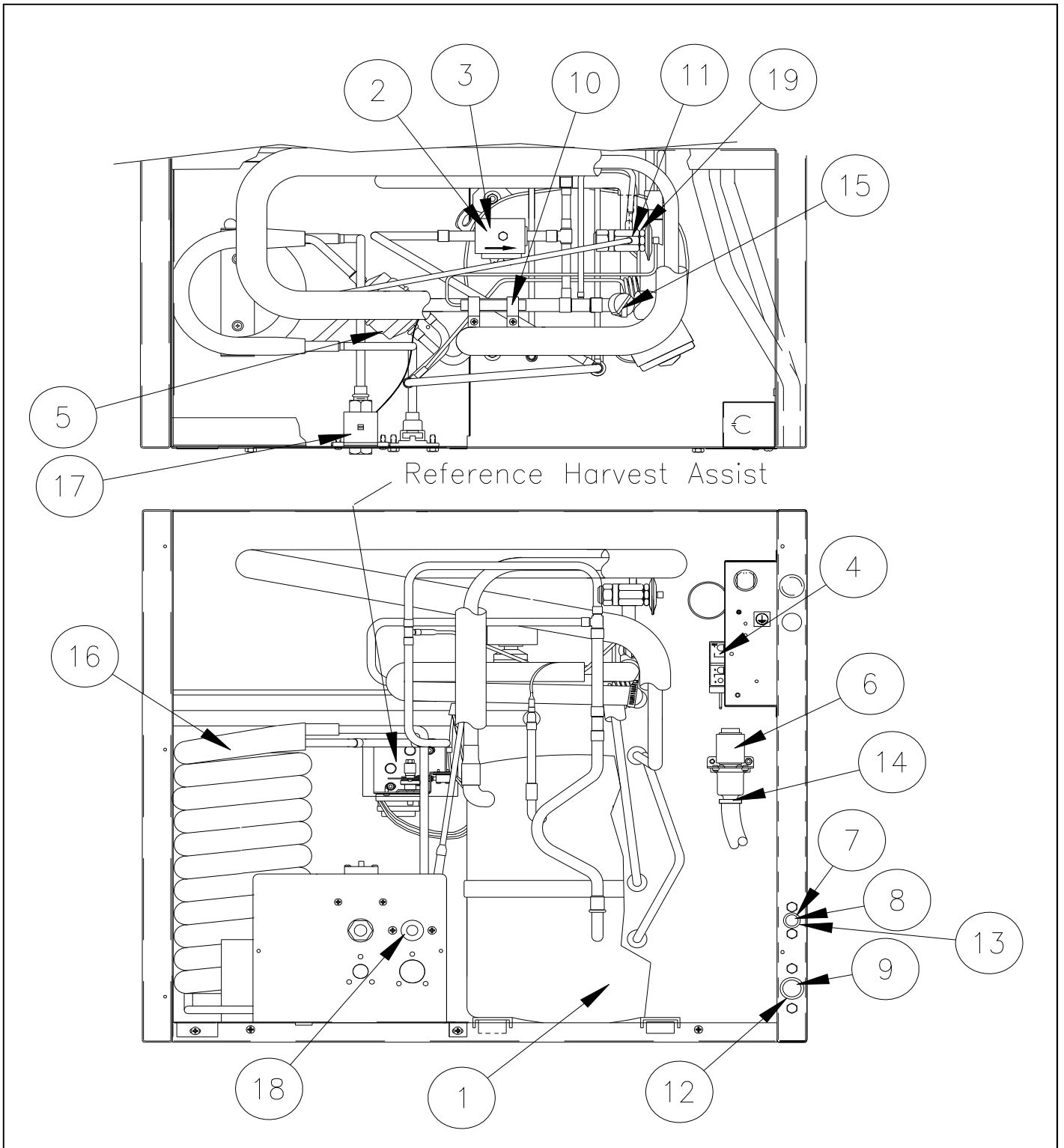
\* Note ICE1007 Air Cooled Compressor 9181107-13 is NLA, Replaced by [9181140-13 \(Aug 2013\)](#)

\*\*Fan Motor 9161089-03 is NLA, Use Kit PN 1051209-03, Include new Fan Motor, Blade and Bracket

\*\*\*Fan Motor (Beg. Mid Ser. H2) Fan Motor 9161078-02 is NLA, Use PN 9161124-02

\*\*\*\*Sporlan and Alco TXV Assemblies 2041665-XX are NLA, Use TXV Assembly PN 2041982-01S Includes Distributor and Tubing - Same as Current ICE1006 Dual Serpentine Evaporator

Reference Page 20 for Compressor Starting Components



Item No.	Description	Model Number				
		ICE0805	ICE0806	ICE1005	ICE1006	ICE1007
1	Compressor* (Reference Below)	<a href="#">9181140-12</a>	<a href="#">9181139-11</a>	<a href="#">9181141-12</a>	<a href="#">9181140-11</a>	<a href="#">9181140-13</a>
2	Hot Gas Valve Coil	9151123-04	9151123-04	9151123-04	9151123-04	9151123-04
3	Hot Gas Valve Body	9151123-01	9151123-01	9151123-01	9151123-01	9151123-01
4	Low Pres Control <b>9041094-01 NLA</b>	<a href="#">9041104-101A</a>	<a href="#">9041104-101A</a>	<a href="#">9041104-101A</a>	<a href="#">9041104-101A</a>	<a href="#">9041104-101A</a>
5	Filter Drier <b>9151104-04 NLA</b>	<a href="#">9151163-03</a>	<a href="#">9151163-03</a>	<a href="#">9151163-03</a>	<a href="#">9151163-03</a>	<a href="#">9151163-03</a>
6	Purge Valve* <b>9041086-02 NLA</b>	<a href="#">9041105-02</a>	<a href="#">9041105-02</a>	<a href="#">9041105-02</a>	<a href="#">9041105-02</a>	<a href="#">9041105-02</a>
7	Drop Adapter	9091074-01	9091074-01	9091074-01	9091074-01	9091074-01
8	Water Inlet Fitting	9091083-01	9091083-01	9091083-01	9091083-01	9091083-01
9	Purge Drain Fitting	9091140-01	9091140-01	9091140-01	9091140-01	9091140-01
10	Clamp-TXV Bulb	9021040-01	9021040-01	9021040-01	9021040-01	9021040-01
11	TXV - <b>ALCO</b>	<a href="#">9151134-05</a>	<a href="#">9151134-05</a>	<a href="#">9151134-05</a>	<a href="#">9151134-05</a>	<a href="#">9151134-05</a>
12	Purge Drain Hose	6021015-06	6021015-06	6021015-06	6021015-06	6021015-06
13	Tube ( 2.17 Ft.)	6021032-01	6021032-01	6021032-01	6021032-01	6021032-01
14	Clamp	9021010-14	9021010-14	9021010-14	9021010-14	9021010-14
15	High Temp Safety	9041087-04	9041087-04	9041087-04	9041087-04	9041087-04
16	Water Condenser	9141020-01	9141020-01	9141020-01	9141020-01	9141020-01
16	Water Condenser (Beg. Ser. G2)	9141061-02	9141061-02	9141061-02	9141061-02	9141061-02
17	Water Valve	9041059-01	9041059-01	9041059-01	9041059-01	9041059-01
18	Drop Adapter 1/2"	9091063-02	9091063-02	9091063-02	9091063-02	9091063-02
21	<b>TXV - SPORLAN Assy**** NLA</b>	<a href="#">2041665-02</a>	<a href="#">2041665-02</a>	<a href="#">2041665-02</a>	<a href="#">2041665-02</a>	<a href="#">2041665-02</a>
21	<b>TXV - ALCO Assy**** NLA</b>	<a href="#">2041665-01S</a>	<a href="#">2041665-01S</a>	<a href="#">2041665-01S</a>	<a href="#">2041665-01S</a>	<a href="#">2041665-01S</a>
21	<b>TXV Assembly****</b>	<a href="#">2041982-01S</a>	<a href="#">2041982-01S</a>	<a href="#">2041982-01S</a>	<a href="#">2041982-01S</a>	<a href="#">2041982-01S</a>

\* Models with Serial Number 2006 and older will require Service Kit 9041105-101

\* Note ICE0806 Water Cooled Compressor 9181106-11 is NLA, Replaced by [9181139-11](#)

\* Note ICE1006 Water Cooled Compressor 9181107-11 is NLA, Replaced by [9181140-11](#)

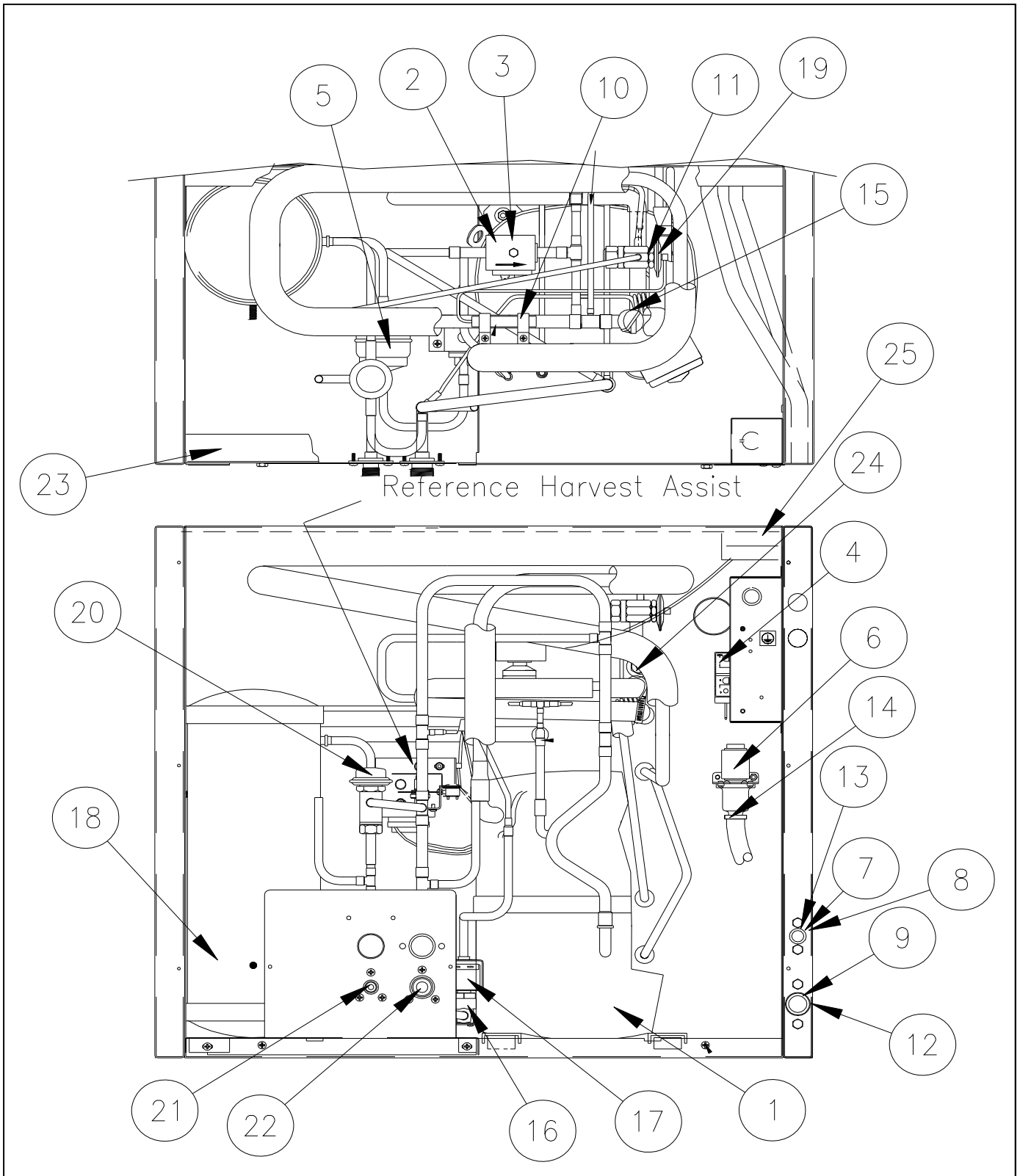
\* Note ICE0805 Water Cooled Compressor 9181107-12 is NLA, Replaced by [9181140-12](#)

\* Note ICE1005 Water Cooled Compressor 9181090-12 is NLA, Replaced by [9181141-12](#)

\* Note ICE1007 Water Cooled Compressor 9181107-13 is NLA, Replaced by [9181140-13 \(Aug 2013\)](#)

Reference Page 20 for Compressor Starting Components

\*\*\*\*Sporlan and Alco TXV Assemblies 2041665-XX are NLA, Use TXV Assembly PN 2041982-01S  
Includes Distributor and Tubing - Same as Current ICE1006 Dual Serpentine Evaporator



Item No.	Description	Model Number				
		ICE0805	ICE0806	ICE1005	ICE1006	ICE1007
1	Compressor* (Reference Below)	<a href="#">9181140-12</a>	<a href="#">9181140-11</a>	<a href="#">9181141-12</a>	<a href="#">9181141-11</a>	<a href="#">9181140-13</a>
2	Hot Gas Valve Coil	9151123-04	9151123-04	9151123-04	9151123-04	9151123-04
3	Hot Gas Valve Body	9151123-01	9151123-01	9151123-01	9151123-01	9151123-01
4	Low Pres Control <b>9041094-01 NLA</b>	<a href="#">9041104-101A</a>	<a href="#">9041104-101A</a>	<a href="#">9041104-101A</a>	<a href="#">9041104-101A</a>	<a href="#">9041104-101A</a>
5	Filter Drier <b>9151104-04 NLA</b>	<a href="#">9151163-03</a>	<a href="#">9151163-03</a>	<a href="#">9151163-03</a>	<a href="#">9151163-03</a>	<a href="#">9151163-03</a>
6	<b>Purge Valve* 9041086-02 NLA</b>	<a href="#">9041105-02</a>	<a href="#">9041105-02</a>	<a href="#">9041105-02</a>	<a href="#">9041105-02</a>	<a href="#">9041105-02</a>
7	Drop Adapter	9091074-01	9091074-01	9091074-01	9091074-01	9091074-01
8	Water Inlet Fitting	9091083-01	9091083-01	9091083-01	9091083-01	9091083-01
9	Purge Drain Fitting	9091140-01	9091140-01	9091140-01	9091140-01	9091140-01
10	Clamp-TXV Bulb	9021040-01	9021040-01	9021040-01	9021040-01	9021040-01
11	<b>TXV - SPORLAN NLA</b>	<a href="#">9151006-14</a>	<a href="#">9151006-14</a>	<a href="#">9151006-14</a>	<a href="#">9151006-14</a>	<a href="#">9151006-14</a>
11	<b>TXV - ALCO (Beg. Mid Ser. H2)</b>	<a href="#">9151134-05</a>	<a href="#">9151134-05</a>	<a href="#">9151134-05</a>	<a href="#">9151134-05</a>	<a href="#">9151134-05</a>
12	Purge Drain Hose	6021015-06	6021015-06	6021015-06	6021015-06	6021015-06
13	Tube ( 2.17 Ft.)	6021032-01	6021032-01	6021032-01	6021032-01	6021032-01
14	Clamp	9021010-14	9021010-14	9021010-14	9021010-14	9021010-14
15	High Temp Safety	9041087-04	9041087-04	9041087-04	9041087-04	9041087-04
15	High Temp Safety (Beg. Rev. 3)	9041087-06	9041087-06	9041087-06	9041087-06	9041087-06
16	Liquid Line Solenoid Body	9151123-02	9151123-02	9151123-02	9151123-02	9151123-02
17	Liquid Line Solenoid Coil	9151123-04	9151123-04	9151123-04	9151123-04	9151123-04
18	Receiver	9151060-01	9151060-01	9151060-01	9151060-01	9151060-01
19	<b>TXV - ALCO Assy**** NLA</b>	<a href="#">2041665-01S</a>	<a href="#">2041665-01S</a>	<a href="#">2041665-01S</a>	<a href="#">2041665-01S</a>	<a href="#">2041665-01S</a>
	<b>TXV Assembly****</b>	<a href="#">2041982-01S</a>	<a href="#">2041982-01S</a>	<a href="#">2041982-01S</a>	<a href="#">2041982-01S</a>	<a href="#">2041982-01S</a>
20	Mixing Valve (240)	9151027-06	9151027-06	9151027-06	9151027-06	9151027-06
21	Remote Fitting 3/8"	9091001-11	9091001-11	9091001-11	9091001-11	9091001-11
22	Remote Fitting 1/2"	9091001-12	9091001-12	9091001-12	9091001-12	9091001-12
23	Rear Brace	3022724-01	3022724-01	3022724-01	3022724-01	3022724-01
23	Rear Brace (Wall Hugger)	3012515-01	3012515-01	3012515-01	3012515-01	3012515-01
24	High Press Control	9041051-04	9041051-04	9041051-04	9041051-04	9041051-04
24	High Press Control (Beg. Rev. 3)	9041091-01	9041091-01	9041091-01	9041091-01	9041091-01
25	<b>Pump Down Control NLA</b>	<a href="#">9041040-01</a>	<a href="#">9041040-01</a>	<a href="#">9041040-01</a>	<a href="#">9041040-01</a>	<a href="#">9041040-01</a>
25	<b>Pump Down Control</b> iReplaces 9041040-01	<a href="#">9041092-02</a>	<a href="#">9041092-02</a>	<a href="#">9041092-02</a>	<a href="#">9041092-02</a>	<a href="#">9041092-02</a>
	Check Valve	9151139-01	9151139-01	9151139-01	9151139-01	9151139-01
	Roto-Loc Valve	9091137-01	9091137-01	9091137-01	9091137-01	9091137-01

\* Includes Distributor and Tubing - Same Effectivity Date as TXV's

**PLEASE NOTE: Mixing Valves are not used on Remote Cubers beginning Revision 3.**

**PLEASE NOTE: When using an ICE Revision 3 Remote Cuber on an existing or new ERC Remote Condenser, please use kit 1051138-01 at installation.**

\* Models with Serial Number 2006 and older will require Service Kit 9041105-101

**\* Note ICE0806 Remote Cooled Compressor 9181107-11 is NLA, Replaced by [9181140-11](#)**

**\* Note ICE1006 Remote Cooled Compressor 9181090-11 is NLA, Replaced by [9181141-11](#)**

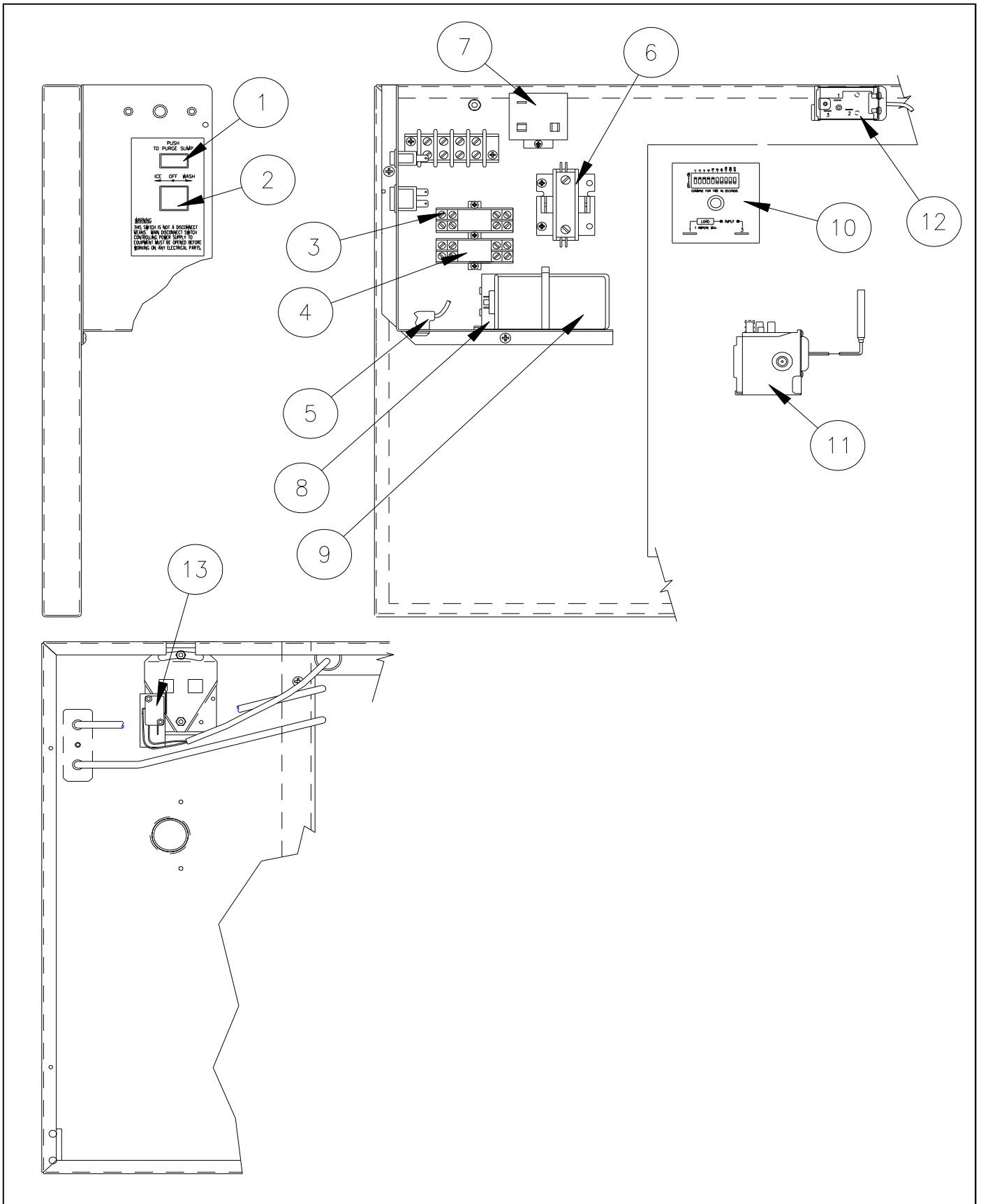
**\* Note ICE0805 remote Cooled Compressor 9181107-12 is NLA, Replaced by [9181140-12](#)**

**\* Note ICE1005 Remote Cooled Compressor 9181090-12 is NLA, Replaced by [9181141-12](#)**

**\* Note ICE1007 Remote Cooled Compressor 9181107-13 is NLA, Replaced by [9181140-13 \(Aug 2013\)](#)**

Reference Page 20 for Compressor Starting Components

**\*\*\*\*Sporlan and Alco TXV Assemblies 2041665-XX are NLA, Use TXV Assembly PN 2041982-01S  
Includes Distributor and Tubing - Same as Current ICE1006 Dual Serpentine Evaporator**



Item No.	Description	Model Number				
		ICE0805	ICE0806	ICE1005	ICE1006	ICE1007
1	Purge Switch <b>9101139-03 is NLA</b>	1051208-01	1051208-01	1051208-01	1051208-01	1051208-01
2	ON-OFF-WASH Switch <b>9101195-01 NLA</b>	9101349-01	9101349-01	9101349-01	9101349-01	9101349-01
3	Relay Socket	9101083-01	9101083-01	9101083-01	9101083-01	9101083-01
4	Relay	9101084-02	9101084-02	9101084-02	9101084-02	9101084-02
5	Water Pump Cord	9101218-12	9101218-12	9101218-12	9101218-12	9101218-12
6	Contacto	9101002-04	9101002-04	9101002-04	9101002-04	9101079-02
7	Compressor Start Relay	See page 23	See page 23	See page 23	See page 23	See page 23
8	Start Capacitor	See page 23	See page 23	See page 23	See page 23	See page 23
9	Run Capacitor	See page 23	See page 23	See page 23	See page 23	See page 23
10	Timer	9101148-01	9101148-01	9101148-01	9101148-01	9101148-01
11	Low Pressure Timer Initiate	9041104-101A	9041104-101A	9041104-101A	9041104-101A	9041104-101A
12	<b>Pump Down Control NLA</b>	<b>9041040-01</b>	<b>9041040-01</b>	<b>9041040-01</b>	<b>9041040-01</b>	<b>9041040-01</b>
	Pump Down Control Replaces 9041040-01	9041092-02	9041092-02	9041092-02	9041092-02	9041092-02
13	Bin Switch	9101124-02	9101124-02	9101124-02	9101124-02	9101124-02



**1051210-XX Reference Page 15 for Specific Model Number and Part Number**

- The **1051210-XX** assembly will fit all ICE Models from October 1999 and EC Models.
- Units installed with a double cam switch, either Field installed or Factory installed will require the complete assembly and a potential wiring change as per the New Wiring Diagram included with the assembly.
- Individual component parts are not available for the **1051210-XX** assembly.
- Individual component parts are No Longer Available for previous version of the Harvest Assist Assembly
- Parts for the **2061962-XX** Harvest Assist Assembly are not compatible with **1051210-XX** Harvest Assist Assembly.
- Proper assembly and alignment of the parts is critical to proper operation, this includes cam and probe alignment.
- If a **1051210-XX** assembly fails, it must be returned to Ice-O-Matic.



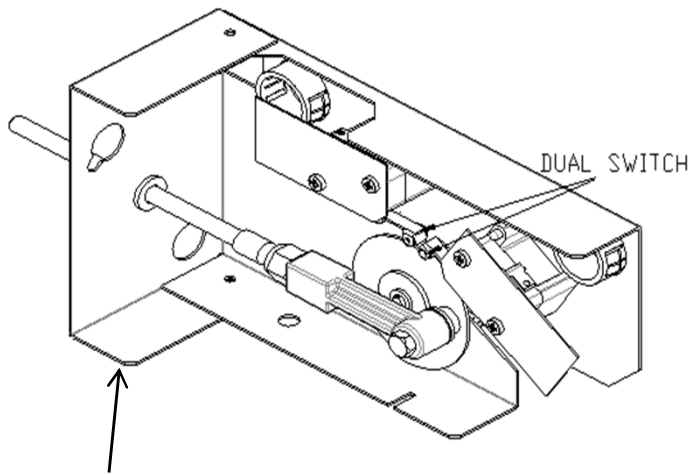
Reference the Model Number below for the specific Harvest Assist Assembly

Item No.	Description	Model Number				
		ICE0805	ICE0806	ICE1005	ICE1006	ICE1007
1	Complete Assembly	1051210-02A	1051210-02A	1051210-02A	1051210-02A	1051210-02A
	No Longer Available	2061962-02S	2061962-02S	2061962-02S	2061962-02S	2061962-02S

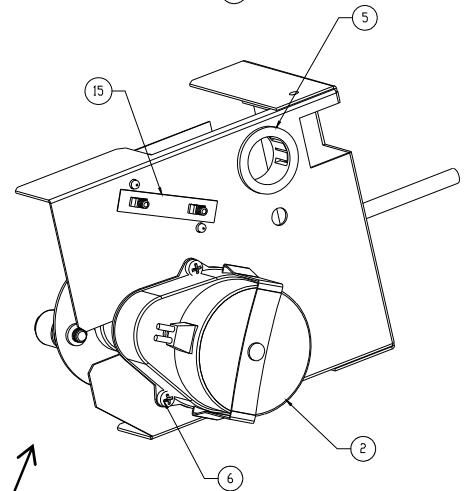
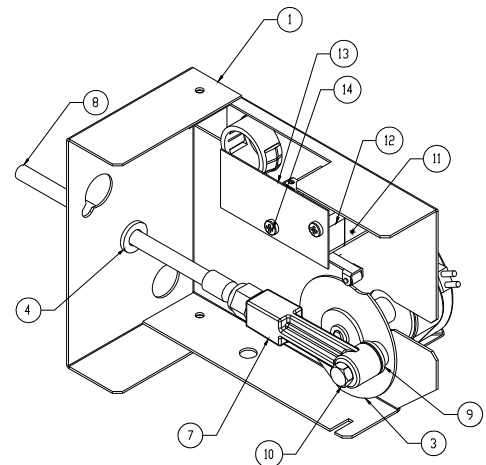
1051210-XX are only supplied as complete assemblies, individual components are not available.

Please reference the above Model Numbers to insure the correct assembly is supplied

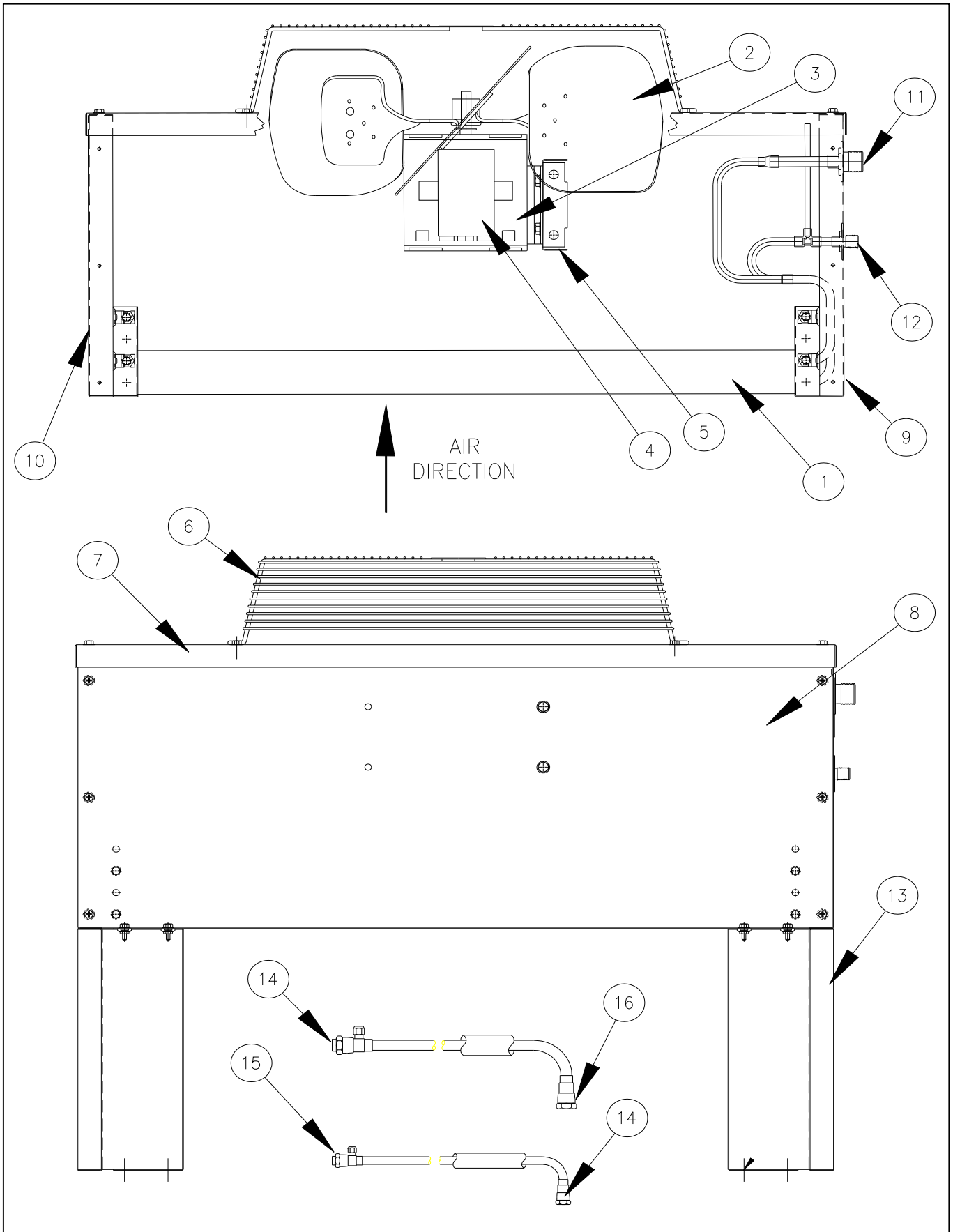
**THE DUAL CAM SWITCH HARVEST ASSIST ASSEMBLIES ARE NO LONGER AVAILABLE**



1051199-01	No Longer Available
1051200-01	No Longer Available
1051201-01	No Longer Available
1051202-01	No Longer Available
1051207-01	No Longer Available

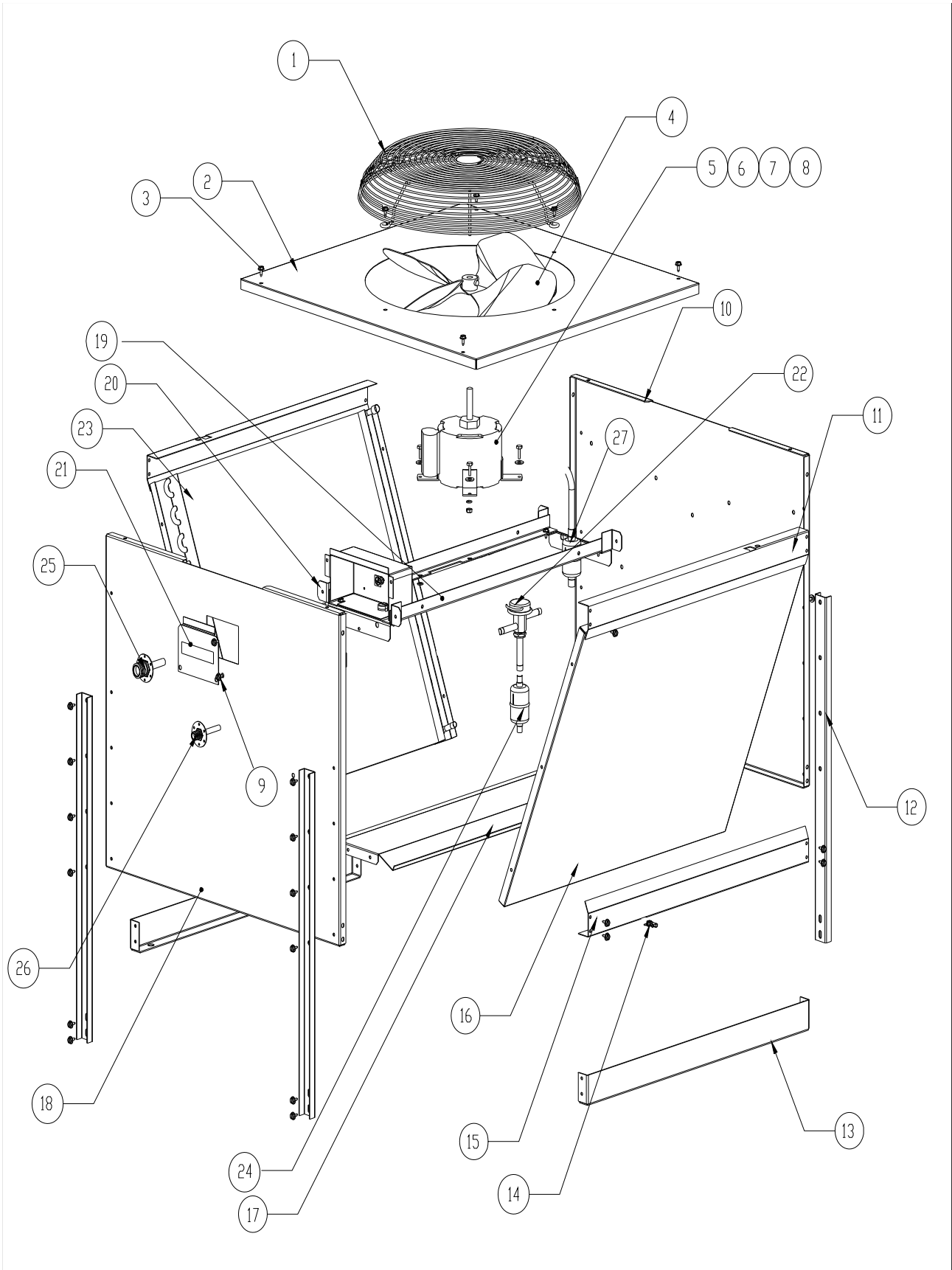


2061962-01S	No Longer Available
2061962-02S	No Longer Available



Item No.	Description	Model Number				
		ICE0805	ICE0806	ICE1005	ICE1006	ICE1007
		ERC2061	ERC2061	ERC2061	ERC2061	ERC2061
1	Condenser	9141108-01	9141108-01	9141108-01	9141108-01	9141108-01
2	Fan Blade	9131357-01	9131357-01	9131357-01	9131357-01	9131357-01
3	Fan Motor	9161110-02	9161110-02	9161110-02	9161110-02	9161110-02
4	Capacitor	9161110-92	9161110-92	9161110-92	9161110-92	9161110-92
5	Fan Motor Brace	3012802-01	3012802-01	3012802-01	3012802-01	3012802-01
6	Fan Guard	9131356-01	9131356-01	9131356-01	9131356-01	9131356-01
7	Top Panel	3012806-01	3012806-01	3012806-01	3012806-01	3012806-01
8	Side Panel	3012793-01	3012793-01	3012793-01	3012793-01	3012793-01
9	Front Panel	3012804-01	3012804-01	3012804-01	3012804-01	3012804-01
10	Rear Panel	3012805-01	3012805-01	3012805-01	3012805-01	3012805-01
11	Coupling Half-Bulkhead-1/2"	9091001-12	9091001-12	9091001-12	9091001-12	9091001-12
12	Coupling Half-Bulkhead-3/8"	9091001-11	9091001-11	9091001-11	9091001-11	9091001-11
13	Mounting Leg	3012795-01	3012795-01	3012795-01	3012795-01	3012795-01
14	Lineset Fitting with Port 1/2"	9091001-10	9091001-10	9091001-10	9091001-10	9091001-10
15	Lineset Fitting with Port 3/8"	9091001-04	9091001-04	9091001-04	9091001-04	9091001-04
16	Lineset Fitting without Port 1/2"	9091001-08	9091001-08	9091001-08	9091001-08	9091001-08
17	Lineset Fitting without Port 3/8"	9091001-02	9091001-02	9091001-02	9091001-02	9091001-02

Item No.	Description	Model Number				
		ICE0805	ICE0806	ICE1005	ICE1006	ICE1007
		ERC2062	ERC2062	ERC2062	ERC2062	ERC2062
1	Condenser	9141110-01	9141110-01	9141110-01	9141110-01	9141110-01
2	Fan Blade	9131357-01	9131357-01	9131357-01	9131357-01	9131357-01
3	Fan Motor	9161110-02	9161110-02	9161110-02	9161110-02	9161110-02
4	Capacitor	9161110-92	9161110-92	9161110-92	9161110-92	9161110-92
5	Fan Motor Brace	3012802-01	3012802-01	3012802-01	3012802-01	3012802-01
6	Fan Guard	9131356-01	9131356-01	9131356-01	9131356-01	9131356-01
7	Top Panel	3012807-01	3012807-01	3012807-01	3012807-01	3012807-01
8	Side Panel	3012794-01	3012794-01	3012794-01	3012794-01	3012794-01
9	Front Panel	3012804-01	3012804-01	3012804-01	3012804-01	3012804-01
10	Rear Panel	3012805-01	3012805-01	3012805-01	3012805-01	3012805-01
11	Coupling Half-Bulkhead-1/2"	9091001-12	9091001-12	9091001-12	9091001-12	9091001-12
12	Coupling Half-Bulkhead-3/8"	9091001-11	9091001-11	9091001-11	9091001-11	9091001-11
13	Mounting Leg	3012795-01	3012795-01	3012795-01	3012795-01	3012795-01
14	Lineset Fitting with Port 1/2"	9091001-10	9091001-10	9091001-10	9091001-10	9091001-10
15	Lineset Fitting with Port 3/8"	9091001-04	9091001-04	9091001-04	9091001-04	9091001-04
16	Lineset Fitting without Port 1/2"	9091001-08	9091001-08	9091001-08	9091001-08	9091001-08
17	Lineset Fitting without Port 3/8"	9091001-02	9091001-02	9091001-02	9091001-02	9091001-02



		ICE0800R4	ICE1400R4	ICE1800R4
ICE0500R	ICE0600R	ICE1000R4	ICE1506R3	ICE2100R4

Item	Description	VRC1001	VRC1061	VRC2061	VRC2661	VRC5061
1	Fan Guard	9131452-01	9131452-01	9131452-01	9131452-01	9131460-01
2	Top Panel	3013222-01	3013222-01	3013222-01	3013222-01	3013303-01
3	¼-20 x 1/2 Screw	9031019-04	9031019-04	9031019-04	9031019-04	9031019-04
4	Fan Blade	9131451-01	9131451-01	9131451-01	9131451-01	9131461-01
5	Fan Motor	9161117-02	9161117-01	9161117-01	9161117-01	9161118-01
6	¼-20 x ¾ Cap Screw	9031001-02	9031001-02	9031001-02	9031001-02	9031001-02
7	Flat Washer	9031003-01	9031003-01	9031003-01	9031003-01	9031003-01
8	Flanged Lock Nut	9031118-02	9031118-02	9031118-02	9031118-02	9031118-02
9	¼-20 x 1/2 Screw	9031019-04	9031019-04	9031019-04	9031019-04	9031019-04
10	Rear Panel	3013224-01	3013224-01	3013224-01	3013224-01	3013224-01
11	Brace	3013226-01	3013226-01	3013226-01	3013226-01	3013305-01
12	Leg	3013227-01	3013227-01	3013227-01	3013227-01	3013227-01
13	Leg Brace	3013228-01	3013228-01	3013228-01	3013228-01	3013306-01
14	T-Nut-Shipping Only	N/A	N/A	N/A	N/A	N/A
15	Brace	3013226-01	3013226-01	3013226-01	3013226-01	3013305-01
16	Cover Panel	3013232-01	3013232-01	N/A	N/A	N/A
17	Center Panel	3013225-01	3013225-01	3013225-01	3013225-01	3013304-01
18	Front Panel	3013223-01	3013223-01	3013223-01	3013223-01	3013223-01
19	Motor Brace	3013234-01	3013234-01	3013234-01	3013234-01	3013307-01
20	Motor Brace Support	3013233-01	3013233-01	3013233-01	3013233-01	3013233-01
21	Junction Box Cover	3013229-01	3013229-01	3013229-01	3013229-01	3013229-01
22	Mixing Valve	9151142-02	9151142-02	9151142-02	9151142-02	9151142-02
23	Condenser	9141130-01	9141130-01	9141130-01	9141131-01	9141133-01
24	Filter	9151143-01	9151143-01	9151143-01	9151143-01	9151143-01
25	1/2 Coupling	9091001-12	9091001-12	9091001-12	9091001-12	9091001-12
26	3/8 Coupling	9091001-11	9091001-11	9091001-11	9091001-11	9091001-11
27	Filter	9151143-02	9151143-02	9151143-02	9151143-02	9151143-02

**Compressors Underlined are NO LONGER AVAILABLE**

**Model Number**

Model Number	ICE0805	ICE0806	ICE1005	ICE1006	ICE1007
Compressor	<u>9181107-12</u>	See Below	<u>9181090-12</u>	See Below	<u>9181107-13</u>
Start Capacitor	9181003-32	See Below	9181003-07	See Below	N/A
Run Capacitor	9181009-17	See Below	9181009-12	See Below	N/A
Relay	9181010-04	See Below	9181010-12	See Below	N/A

Model Number		ICE0806 A&W		ICE1006 A&W
Compressor		<u>9181106-11</u>		<u>9181107-11</u>
Start Capacitor		9181003-07		9181003-07
Run Capacitor		9181009-16		9181009-16
Relay		9181010-12		9181010-12

Model Number		ICE0806 R		ICE1006 R
Compressor		<u>9181107-11</u>		<u>9181090-11</u>
Start Capacitor		9181003-07		9181003-19
Run Capacitor		9181009-16		9181009-12
Relay		9181010-12		9181010-10

Reference the compressor model number to insure the correct starting components are ordered

CS12K6E-PFJ-235	<u>9181107-12</u>				
CS10K6E-PFV-235		<u>9181106-11</u>			
CS146E-PFJ-235			<u>9181090-12</u>		
CS12K6E-PFV-235		<u>9181107-11</u>		<u>9181107-11</u>	
CS14K6E-PFV-235				<u>9181090-11</u>	
CS12K6E-TF5					<u>9181107-13</u>

The following compressors are no longer available and have been replaced with the compressor kits below.

<u>9181140-12</u> CS12K6E-PFJ-255	<u>9181107-12</u>				
<u>9181139-11</u> CS10K6E-PFV-255		<u>9181106-11</u>			
9181141-12 CS14K6E-PFJ-255			<u>9181090-12</u>		
<u>9181140-11</u> CS12K6E-PFV-255		<u>9181107-11</u>		<u>9181107-11</u>	
<u>9181141-11</u> CS14K6E-PFV-255				<u>9181090-11</u>	
<u>9181140-13</u> CS12K6E-TF5-255					<u>9181107-13</u>

Reference the compressor model number to insure the correct starting components are ordered

Model Number	ICE0805	ICE0806	ICE1005	ICE1006	ICE1007
Compressor	9181140-12	See Below	9181141-12	See Below	9181140-13
Start Capacitor	9181003-32	See Below	9181003-07	See Below	N/A
Run Capacitor	9181009-17	See Below	9181009-12	See Below	N/A
Relay	9181010-04	See Below	9181010-12	See Below	N/A

Model Number		ICE0806 A&W		ICE1006 A&W
Compressor		9181139-11		9181140-11
Start Capacitor		9181003-07		9181003-07
Run Capacitor		9181009-16		9181009-16
Relay		9181010-12		9181010-12

Model Number		ICE0806 R		ICE1006 R
Compressor		9181140-11		9181141-11
Start Capacitor		9181003-07		9181003-19
Run Capacitor		9181009-16		9181009-12
Relay		9181010-12		9181010-10