



SERVICE PARTS MANUAL
ICE SERIES CUBERS
MODEL - ICE0250A5,A6-T5,T6-W5
MODEL - ICE0400A4,A5,A6-T4,T5,T6,T7-W4
MODEL - ICE0500A4,A5-T4,T5,T6,T7-W4-R5
MODEL - ICE0606A4,5-T4,A5,A6-W4,W5,W6-R5,R6,R7
Includes ICE0406 Units and 50Hz. Units



14-1021A

Date 8/5/2021

This parts list contains the service parts available for the ICE Series icemakers listed below:

ICE0250 A5, T5, T6 and W5, Includes 50 hz. Models

ICE0400 A4,A5,A6-T4,T5,T6,T7 and W4, Includes ICE0406 and 50 hz. Models

ICE0500 A4,A5,A6-T4,T5,T6,T7-W4 and R5

ICE0606 A4,A5,A6 - T4,5,6 - W4,W5,W6 and R5,6 Includes 50 hz. Models

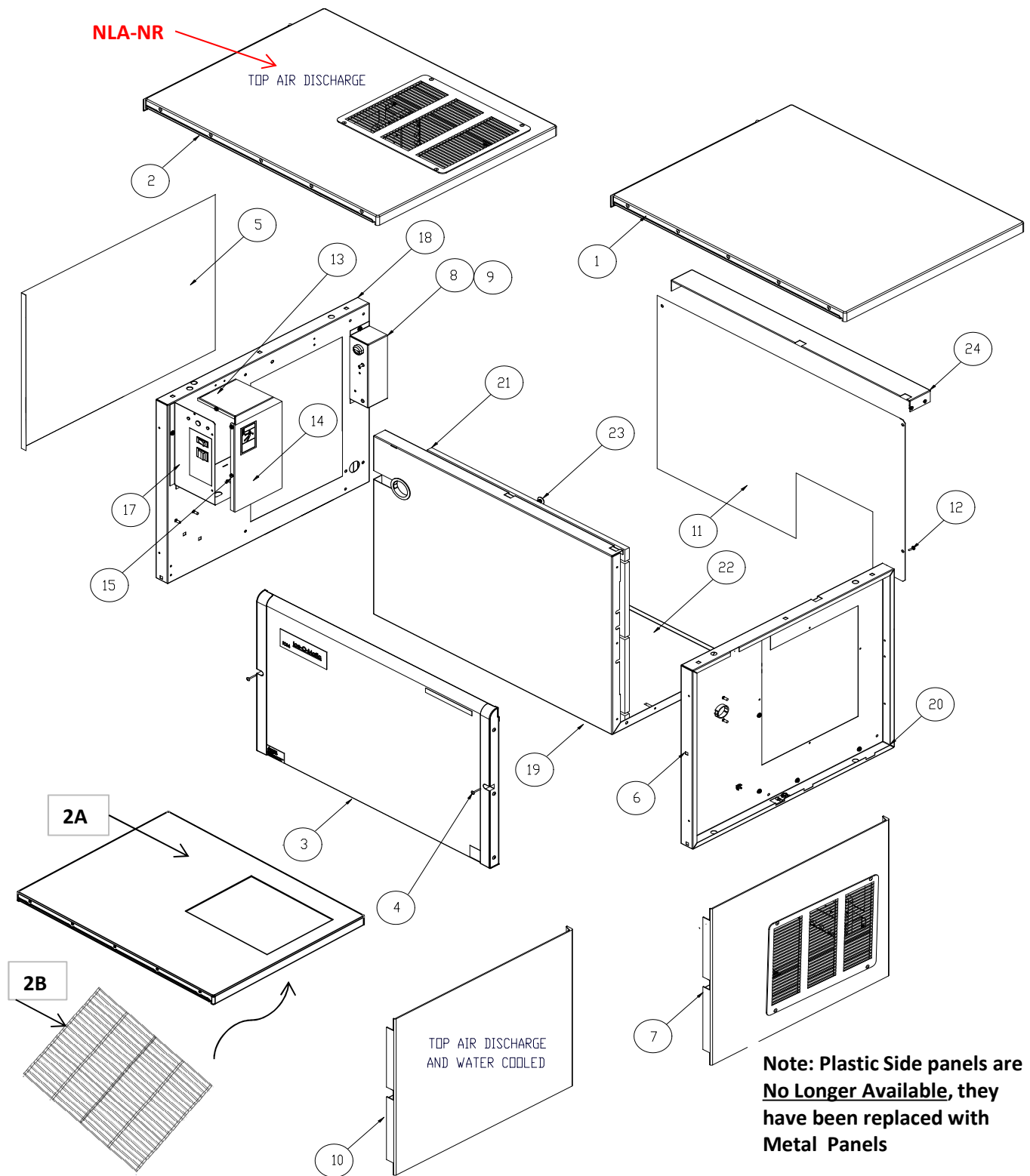
Check the model number on the data plate and refer to the correct listing for the specific component.

Check carefully that the correct part is identified and ordered.

Table of Contents	Page 1
Cabinet Assembly	Page 2 - 3
Evaporator/Water System	Page 4 - 5
Air Cooled and Top Discharge	Page 6 - 7
Water Cooled	Page 8 - 9
Remote	Page 10 - 11
Control Box	Page 12 - 13
Harvest Assist Assembly	Page 14 - 15
Remote Condenser	Page 16 - 17
Specific Compressor Components	Page 18
KCUBEDISP	Page 19

The ICE Series Service Manual is available separately, Part number 9081270-01

Ice-O-Matic
11100 East 45th Ave.
Denver Co. 80239
800-423-3367



Item	Plastic Panels		
5	9051565-02	Plastic Panels are NLA	Left Hand Panel
7	2101428-01S	Plastic Panels are NLA	Right Hand Side Panel-Louvered
10	9151565-02	Plastic Panels are NLA	Right Hand Side Panel Non-Louvered

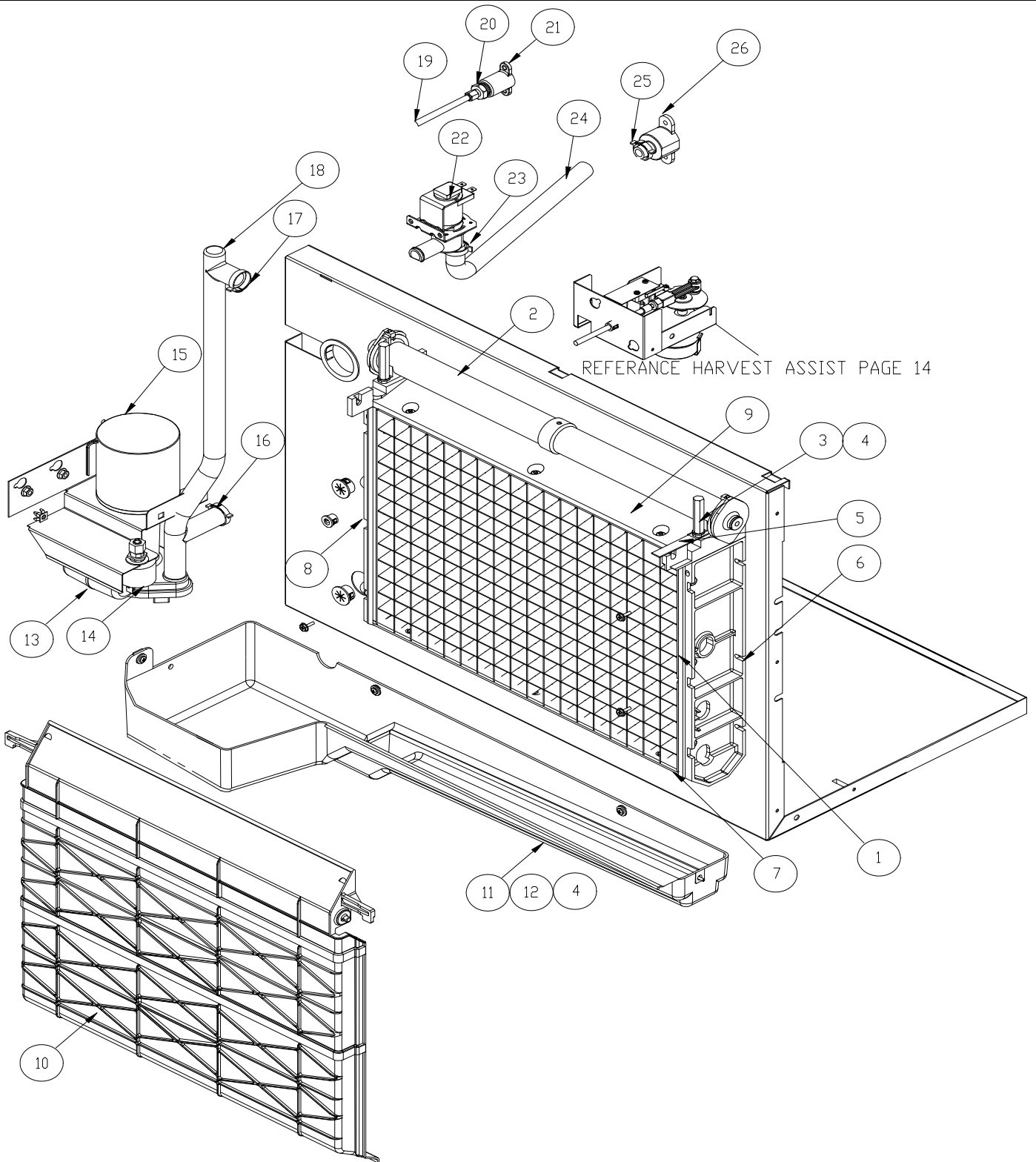
ICE Series Service Parts

Cabinet Assembly

Item No.	Model Number					Description
	ICE0250	ICE0400	ICE0406	ICE0500	ICE0606	
1	2101425-01S	2101425-01S	2101425-01S	2101425-01S	2101425-01S	Top Panel-Air Cooled
2	2101425-02S	2101425-02S	2101425-02S	2101425-02S	2101425-02S	Top Discharge w/plastic insert-NLA-NR
2A	2101425-04S	2101425-04S	2101425-04S	2101425-04S	2101425-04S	Top Panel-Metal Grill-Top Discharge
2B	9131454-01	9131454-01	9131454-01	9131454-01	9131454-01	Grill,item 2A, Inserts in Top Air Fan Shroud
3	2031511-01S	2031511-01S	2031511-01S	2031511-01S	2031511-01S	Front Panel
	9051562-01	9051562-01	9051562-01	9051562-01	9051562-01	Front Panel End Cap, Right Hand
	9051562-02	9051562-02	9051562-02	9051562-02	9051562-02	Front Panel End Cap, Left Hand
4	9031098-04	9031098-04	9031098-04	9031098-04	9031098-04	Front Panel Screw
5	3021965-02	3021965-02	3021965-02	3021965-02	3021965-02	Left Hand Side Panel (Metal)
6	9031141-01	9031141-01	9031141-01	9031141-01	9031141-01	Plastic Nut Insert
7	2101483-01S	2101483-01S	2101483-01S	2101483-01S	2101483-01S	Right Hand Side Panel-Louvered (Metal)
8	3012681-01	3012681-01	3012681-01	3012681-01	3012681-01	Junction Box Cover
9	9031046-01	9031046-01	9031046-01	9031046-01	9031046-01	Junction Box Cover Screw
10	3021965-02	3021965-02	3021965-02	3021965-02	3021965-02	Right Side Panel Non-Louvered (Metal)
11	3021742-01	3021742-01	3021742-01	3021742-01	3021742-01	Rear Panel
12	9031046-01	9031046-01	9031046-01	9031046-01	9031046-01	Rear Panel Screw
13	3012905-01	3012905-01	3012905-01	3012905-01	3012905-01	Control Box Top Cover
14	3012904-01	3012904-01	3012904-01	3012904-01	3012904-01	Control Box Side Cover
15	9031046-01	9031046-01	9031046-01	9031046-01	9031046-01	Control Box Screws
16	N/A	N/A	N/A	N/A	N/A	Machine Compartment Cover (Not Shown)
17	3012855-01	3012855-01	3012855-01	3012855-01	3012855-01	Control Box Front Cover
18	2021677-01	2021677-01	2021677-01	2021677-01	2021677-01	Left Hand Frame Side
19	2021648-01	2021648-01	2021648-01	2021648-01	2021648-01	Divider Base Assembly
20	2021678-01	2021678-01	2021678-01	2021678-01	2021678-01	Right Hand Frame Side
21	9131181-01	9131181-01	9131181-01	9131181-01	9131181-01	Insulation
22	9131121-04	9131121-04	9131121-04	9131121-04	9131121-04	Insulation
23	9031154-01	9031154-01	9031154-01	9031154-01	9031154-01	Retainer "Christmas Tree Clip"
24	3012724-01	3012724-01	3012724-01	3012724-01	3012724-01	Brace

Item No.	Model Number			Description
	ICE0305	ICE0405	ICE0605	
1	2101425-01S	2101425-01S	2101425-01S	Top Panel-Air Cooled
2	2101425-02S	2101425-02S	2101425-02S	Top Panel-Top Discharge
3	2031511-01S	2031511-01S	2031511-01S	Front Panel
	9051562-01	9051562-01	9051562-01	Front Panel End Cap, Right Hand
	9051562-02	9051562-02	9051562-02	Front Panel End Cap, Left Hand
4	9031098-04	9031098-04	9031098-04	Front Panel Screw
5	3021965-02	3021965-02	3021965-02	Left Hand Side Panel (Metal)
6	9031141-01	9031141-01	9031141-01	Plastic Nut Insert
7	2101483-01S	2101483-01S	2101483-01S	Right Hand Side Panel-Louvered (Metal)
8	3012681-01	3012681-01	3012681-01	Junction Box Cover
9	9031046-01	9031046-01	9031046-01	Junction Box Cover Screw
10	3021965-02	3021965-02	3021965-02	Right Side Panel Non-Louvered (Metal)
11	3021742-01	3021742-01	3021742-01	Rear Panel
12	9031046-01	9031046-01	9031046-01	Rear Panel Screw
13	3012905-01	3012905-01	3012905-01	Control Box Top Cover
14	3012904-01	3012904-01	3012904-01	Control Box Side Cover
15	9031046-01	9031046-01	9031046-01	Control Box Screws
16	3012931-01	3012931-01	3012931-01	Machine Compartment Cover (Not Shown)
17	3012855-01	3012855-01	3012855-01	Control Box Front Cover
18	2021677-01	2021677-01	2021677-01	Left Hand Frame Side
19	2021648-01	2021648-01	2021648-01	Divider Base Assembly
20	2021678-01	2021678-01	2021678-01	Right Hand Frame Side
21	9131181-01	9131181-01	9131181-01	Insulation
22	9131121-04	9131121-04	9131121-04	Insulation
23	9031154-01	9031154-01	9031154-01	Retainer "Christmas Tree Clip"
24	3012724-01	3012724-01	3012724-01	Brace

RED=NLA-NR=No Longer Available-No Replacement



Item No.	Model Number					Description
	ICE0250	ICE0400	ICE0406	ICE0500	ICE0606	
1	2051156-81	2051148-81A	2051148-81A	2051148-81A	2051148-81A	Evaporator Full Cube(Inc Elbows)
1	2051156-82	2051148-82A	2051148-82A	2051148-82A	2051148-82A	Evaporator Half Cube(Inc Elbows)

Item No.	Model Number - 50 Cycle Units			Description
	ICE0305	ICE0405	ICE0605	
1	2051156-81	2051148-81A	2051148-81A	Evaporator Full Cube(Inc Elbows)
1	2051156-82	2051148-82A	2051148-82A	Evaporator Half Cube(Inc Elbows)

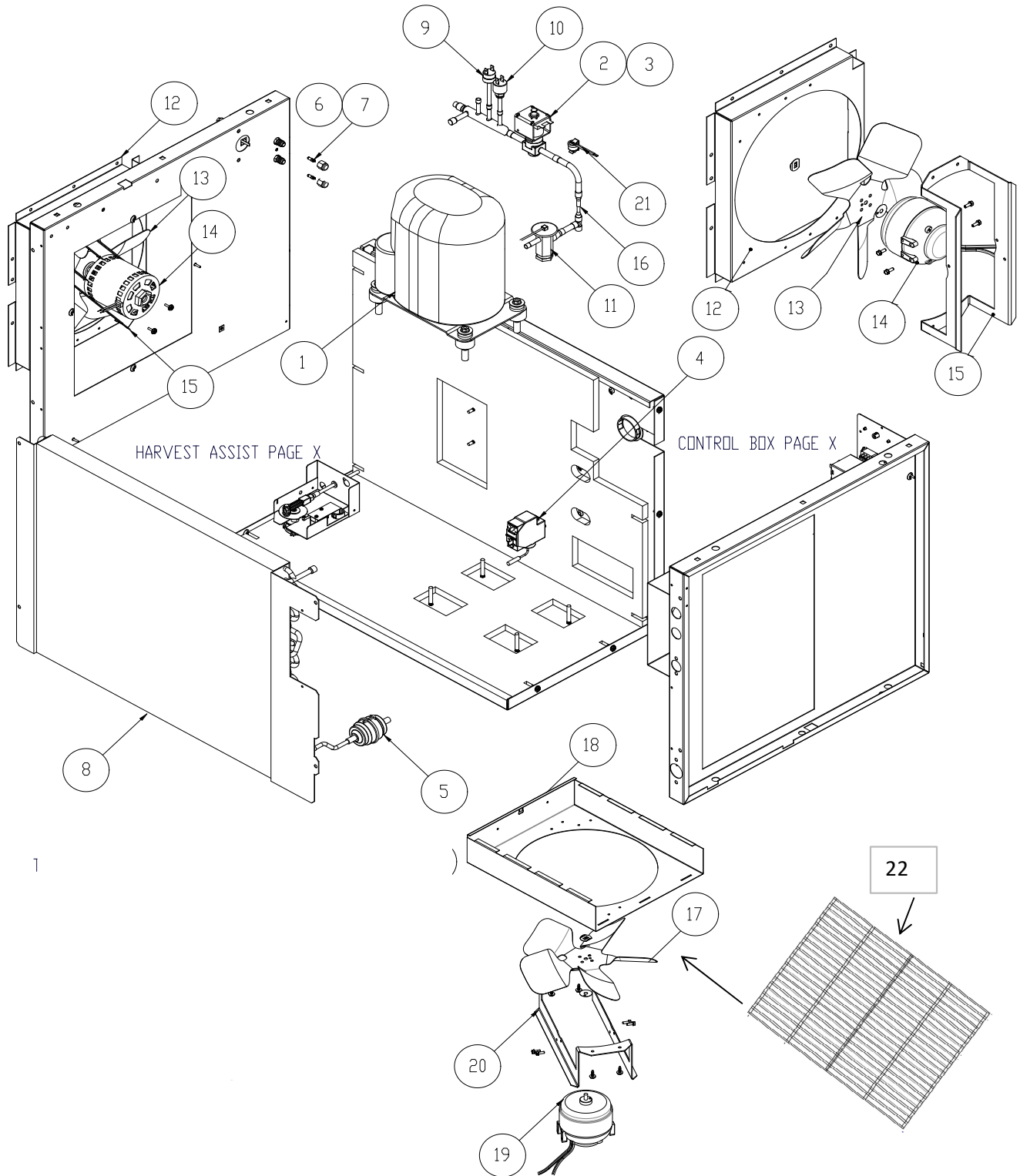
ICE Series Service Parts

Evaporator/Water System

Item No.	Model Number					Description
	ICE0250	ICE0400	ICE0406	ICE0500	ICE0606	
2	2041338-01	2041338-01	2041338-01	2041338-01	2041338-01	Water Distribution Tube
3	9031122-05	9031122-05	9031122-05	9031122-05	9031122-05	Thumb Screw
4	9031004-19	9031004-19	9031004-19	9031004-19	9031004-19	Rubber Washer
5	3012747-01	N/A	N/A	N/A	N/A	Curtain Stopper
6	9051136-08	9051136-06	9051136-06	9051136-06	9051136-06	Evaporator Mounting Panel Right Side
7	9051135-04	9051135-04	9051135-04	9051135-04	9051135-04	Evaporator Water Return
8	9051136-07	9051136-05	9051136-05	9051136-05	9051136-05	Evaporator Mounting Panel Left Side
9	9051135-05	9051135-05	9051135-05	9051135-05	9051135-05	Evaporator Spillway
10	9051154-07	9051154-08	9051154-08	9051154-08	9051154-08	Evaporator Splash Curtain
11	9051537-01	9051537-01	9051537-01	9051537-01	9051537-01	Water Return Trough
12	9031046-24	9031046-24	9031046-24	9031046-24	9031046-24	Water Return Trough Screw
13	9131111-101	9131111-101	9131111-101	9131111-101	9131111-101	Float (9131111-101 includes fittings)*
14	9131026-02	9131026-02	9131026-02	9131026-02	9131026-02	Caplug (Float Deflector)
15	9161076-01	9161076-01	9161076-02	9161076-01	9161076-02	Water Pump
	3012509-01	3012509-01	3012509-01	3012509-01	3012509-01	Water Pump Bracket
16	9021010-04	9021010-04	9021010-04	9021010-04	9021010-04	Clamp
17	9021010-04	9021010-04	9021010-04	9021010-04	9021010-04	Clamp
18	9051142-02	9051142-01	9051142-01	9051142-01	9051142-01	Water Pump Tube
19	3032898-26	3032898-26	3032898-26	3032898-26	3032898-26	Water Float Tubing (26 Inches required)
20	9091083-01	9091083-01	9091083-01	9091083-01	9091083-01	Water Inlet Fitting, Does Not Include Item 20A
20A	9091083-03	9091083-03	9091083-03	9091083-03	9091083-03	Nut and Plastic Sleeve, Not Include with Item 20
21	9091074-01	9091074-01	9091074-01	9091074-01	9091074-01	Drop Adapter
22	9041105-01	9041105-01	9041105-02	9041105-01	9041105-02	Purge Valve - 9041086 is NLA
	9041105-101	9041105-101	9041105-101	9041105-101	9041105-101	Purge Valve Mounting Bracket
23	9021010-04	9021010-04	9021010-04	9021010-04	9021010-04	Clamp
24	9051280-11	9051280-11	9051280-11	9051280-11	9051280-11	Purge Drain Hose
25	9021010-03	9021010-03	9021010-03	9021010-03	9021010-03	Clamp
26	9091140-01	9091140-01	9091140-01	9091140-01	9091140-01	Purge Drain Fitting

Item No.	Model Number - 50 Cycle Units			Description
	ICE0305	ICE0405	ICE0605	
2	2041338-01	2041338-01	2041338-01	Water Distribution Tube
3	9031122-05	9031122-05	9031122-05	Thumb Screw
4	9031004-19	9031004-19	9031004-19	Rubber Washer
5	3012747-01	N/A	N/A	Curtain Stopper
6	9051136-08	9051136-06	9051136-06	Evaporator Mounting Panel Right Side
7	9051135-04	9051135-04	9051135-04	Evaporator Water Return
8	9051136-07	9051136-05	9051136-05	Evaporator Mounting Panel Left Side
9	9051135-05	9051135-05	9051135-05	Evaporator Spillway
10	9051154-07	9051154-08	9051154-08	Evaporator Splash Curtain
11	9051537-01	9051537-01	9051537-01	Water Return Trough
12	9031046-24	9031046-24	9031046-24	Water Return Trough Screw
13	9131111-101	9131111-101	9131111-101	Float (9131111-101 includes fittings)*
14	9131026-02	9131026-02	9131026-02	Caplug (Float Deflector)
15	9161076-02	9161076-02	9161076-02	Water Pump (for bracket see above)
16	9021010-04	9021010-04	9021010-04	Clamp
17	9021010-04	9021010-04	9021010-04	Clamp
18	9051142-02	9051142-01	9051142-01	Water Pump Tube
19	3032898-26	3032898-26	3032898-26	Water Float Tubing (26 Inches required)
20	9091083-01	9091083-01	9091083-01	Water Inlet Fitting (Does Not Include Item 20A)
20A	9091083-03	9091083-03	9091083-03	Nut and Plastic Sleeve, Not Include with Item 20
21	9091074-01	9091074-01	9091074-01	Drop Adapter
22	9041105-02	9041105-02	9041105-02	Purge Valve - 9041086 is NLA
	9041105-101	9041105-101	9041105-101	Purge Valve Mounting Bracket
23	9021010-04	9021010-04	9021010-04	Clamp
24	9051280-11	9051280-11	9051280-11	Purge Drain Hose
25	9021010-03	9021010-03	9021010-03	Clamp
26	9091140-01	9091140-01	9091140-01	Purge Drain Fitting

*Note: The 9131111-01 is NLA, Replaced by 9131111-101 which includes fittings.



ICE Series Service Parts

Top Air Discharge and Air Cooled

NOTE: SEE PAGE 7A FOR SIDE AIR DISCHARGE FAN MOTOR SPECIFICS-

Item No.	Model Number					Fan info below is for Top Air Discharge
	ICE0250A	ICE0400A	ICE0406A	ICE0500A	ICE0606A	Description
1	9181121-11	9181121-11	9181126-01	9181124-11*	1051189-01****	Compressor Kit See Notes Below
					9181125-11**	NLA-Use 1051189-01 Kit
					9181145-11A***	Compressor From SN12041280010051
				9181137-11B		Compressor Air Cooled Reference Below****
2	9151123-01	9151123-01	9151123-01	9151123-01	9151123-01	Hot Gas Valve Body
3	9151123-03	9151123-03	9151123-04	9151123-03	9151123-04	Hot Gas Valve Coil
4	9041104-101A	9041104-101A	9041104-101A	9041104-101A	9041104-101A	Low Pressure Control (Replaces 9041094-01)
5	9151163-01	9151163-01	9151163-01	9151163-01	9151163-01	Filter Drier (Replaces 9151004-02)
6	9091086-02	9091086-02	9091086-02	9091086-02	9091086-02	Service Valve Core
7	9091086-03	9091086-03	9091086-03	9091086-03	9091086-03	Service Valve Cap
8	9141106-01	9141106-01	9141106-01	9141120-01	9141120-01	Condenser
9	9041106-01	9041106-01	9041106-01	9041106-01	9041106-01	Fan Control (9041096-01 is NLA)
10	9041091-01	9041091-01	9041091-01	9041091-01	9041091-01	High Pressure Control
11	9151154-101	9151149-101	9151149-101	9151149-101	9151151-101	Expansion Valve (Includes Install Components)
	9131143-02	9131143-02	9131143-02	9131143-02	9131143-02	Insulation-Danfoss Expansion Valve
16	9091136-01	9091136-01	9091136-01	9091136-01	N/A	Restrictor
18	3013472-01	3013368-01	3013368-01	3013472-01	3013368-01	Fan Shroud Top Air Discharge
19K*	1051209-01	1051209-01	1051209-03	1051209-01	1051209-03	Fan Motor Kit

*Note Item Number 19K includes the Fan Motor, Fan Blade, Fan Motor Bracket and associated hardware.
The components in the kit are not available seperatly, the kit must be ordered.

17	9131383-01	9131383-01	9131383-01	9131383-01	9131383-01	Fan Blade -NLA as a separate part
19	9161124-01	9161124-01	9161124-03	9161124-01	9161124-03	Fan Motor-NLA as a seperater part.
20	3013252-01	3013252-01	3013252-01	3013252-01	3013252-01	Fan Motor Bracket-NLA as a separate part.

21	9041098-01	9041098-01	9041098-01	9041098-01	9041098-01	High Temperature Safety Control
22	9131454-01	9131454-01	9131454-01	9131454-01	9131454-01	Grill, For Top Air Discharge

*9181124-11 = ICE0500 Air Cooled From SN12061280013655 and Prior

**9181125-11 = CS08KQE-PFV-255

***9181145-11A = RST70C1E-PFV

****1051189-01 includes 9181145-11 Compressor

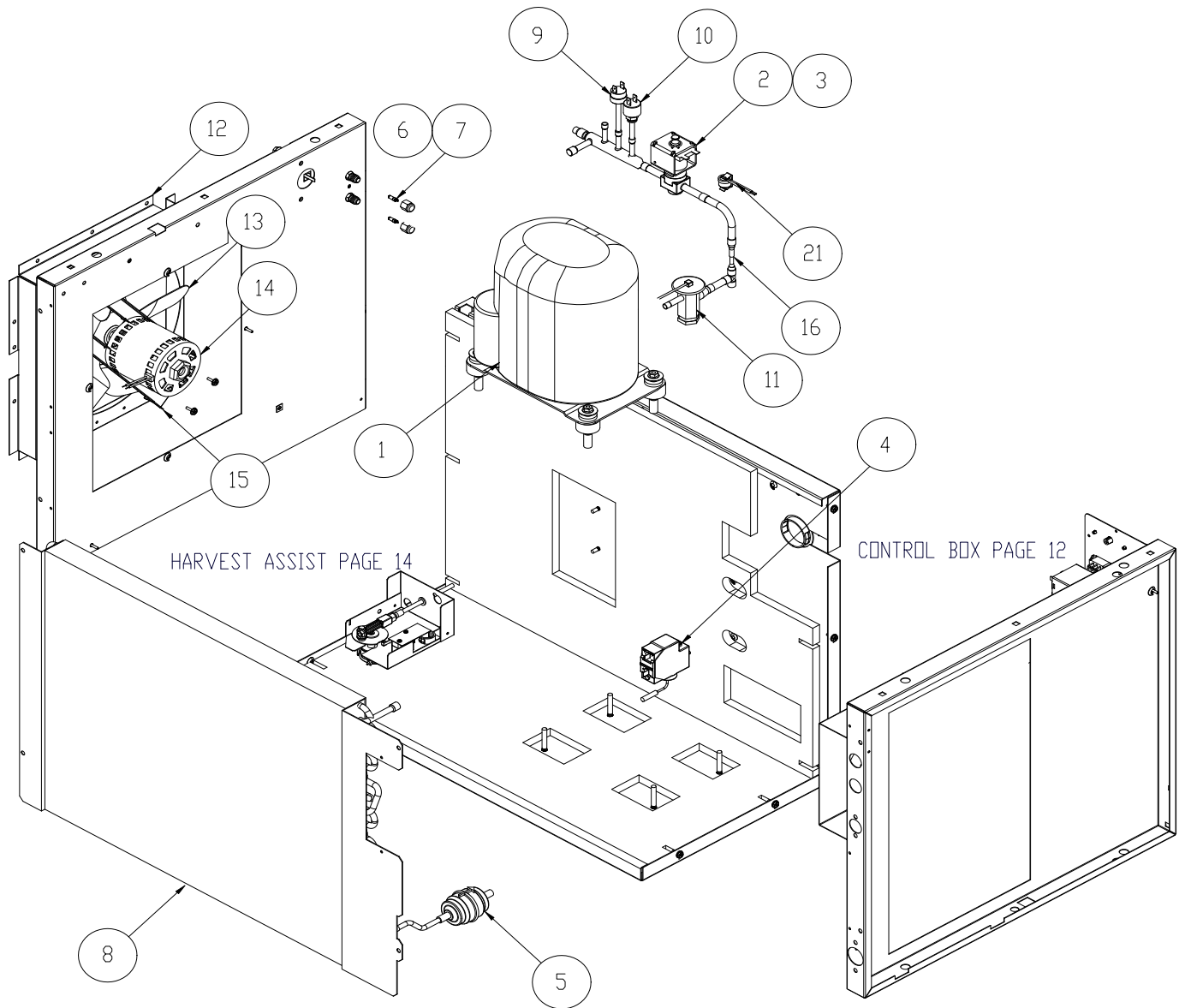
*****9181137-11B = RST55C1E-CAA = ICE0500 Air Cooled and Top Air Only from SN 12061280013656 (Replaces 9181137-11A)

See Page 18 for compressor components

See Page 18 for compressor components

See Page 18 for compressor components

See Page 18 for compressor components



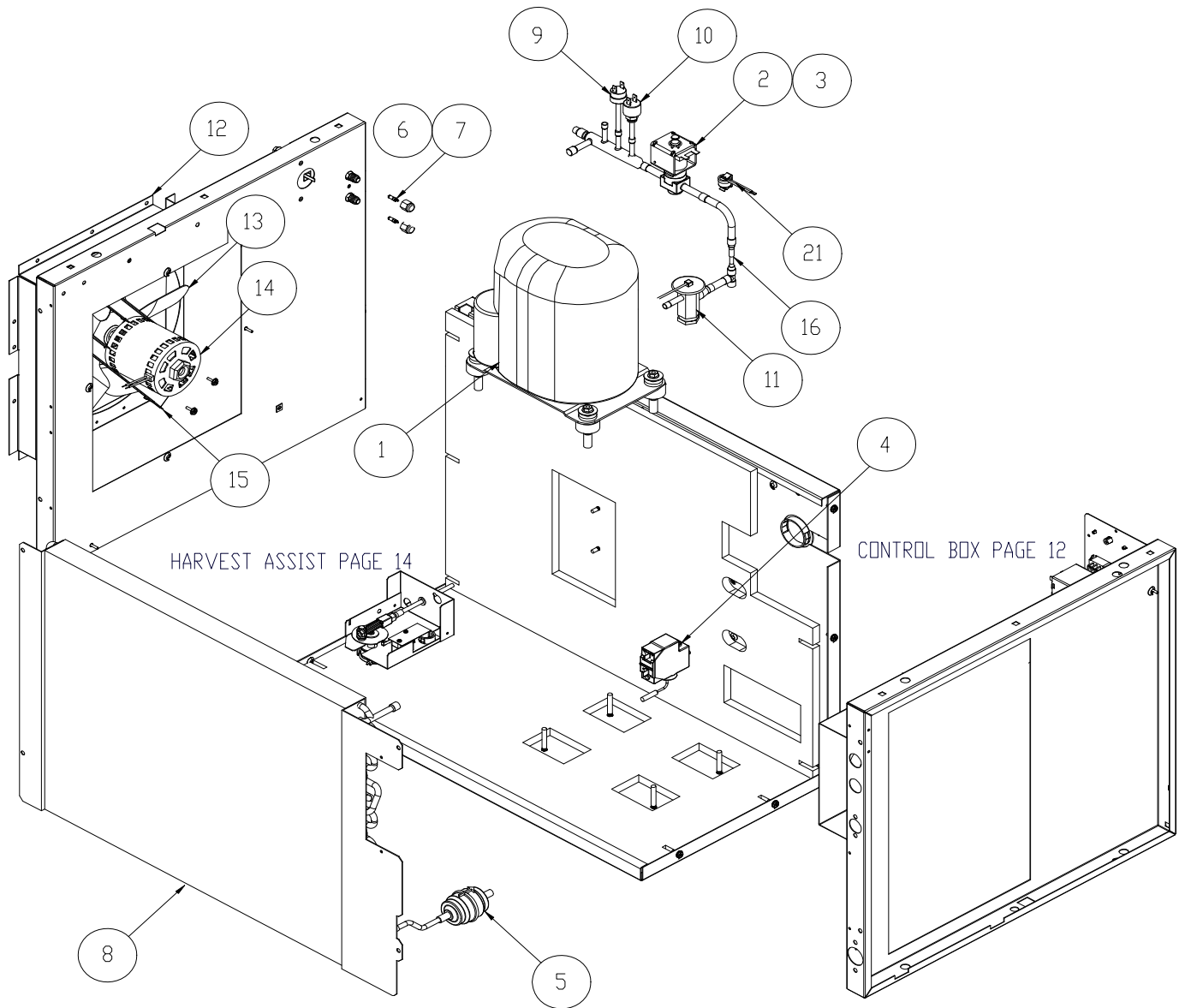
Side Air Discharge
See Page 6 & 7
For Refrigeration
Components

The Fan Motor is now sold only as a kit which includes the Fan Motor, Fan Blade, Bracket and associated hardware

Item No.	Model Number					Description
	ICE0250A	ICE0400A	ICE0406A	ICE0500A	ICE0606A	
12	3013112-01	3013112-01	3013112-01	3013112-01	3013112-01	Fan Shroud
14K*	1051209-01	1051209-01	1051209-03	1051209-01	1051209-03	Fan Motor Kit
14	NLA	NLA	NLA	NLA	NLA	Fan Motor-NLA as a separate part
13	NLA	NLA	NLA	NLA	NLA	Fan Blade-NLA as a separate part
15	NLA	NLA	NLA	NLA	NLA	Fan Motor Bracket-NLA as a separate part

**Note* Item Number 14K includes the Fan Motor, Fan Blade, Fan Motor Bracket and associated hardware.
The components in the kit are not available separately, the kit must be ordered.**

50 Hz. Units



50 Hz. Units

ICE Series Service Parts

Air Cooled and Top Air Discharge

Item No.	Model Number			Description
	ICE0305A	ICE0405A	ICE0605A	
1	9181127-11	9181127-11	1051190-01	Compressor Kit* See Notes Below
			9181147-11	Compressor Kit** See Notes Below
			9181128-11	NLA-Use 1051190-01 Kit
2	9151123-01	9151123-01	9151123-01	Hot Gas Valve Body
3	9151123-04	9151123-04	9151123-04	Hot Gas Valve Coil
4	9041104-101A	9041104-101A	9041104-101A	Low Pressure Control (Replaces 9041094-01)
5	9151163-01	9151163-01	9151163-01	Filter Drier (Replaces 9151004-02)
6	9091086-02	9091086-02	9091086-02	Service Valve Core
7	9091086-03	9091086-03	9091086-03	Service Valve Cap
8	9141106-01	9141106-01	9141120-01	Condenser
9	9041106-01	9041106-01	9041106-01	Fan Control (9041096-01 is NLA)
10	9041091-01	9041091-01	9041091-01	High Pressure Control
11	9151154-101	9151149-101	9151149-101	Expansion Valve (Includes Install Components)#
	9131143-02	9131143-02	9131143-02	Insulation-Danfoss Expansion Valve

12	3013112-01	3013112-01	3013112-01	Fan Shroud
14K*	1051209-02	1051209-02	1051209-02	Fan Motor Kit

Note* Item Number 14K includes the Fan Motor, Fan Blade, Fan Motor Bracket and associated hardware. The components in the kit are not available separately, the kit must be ordered.

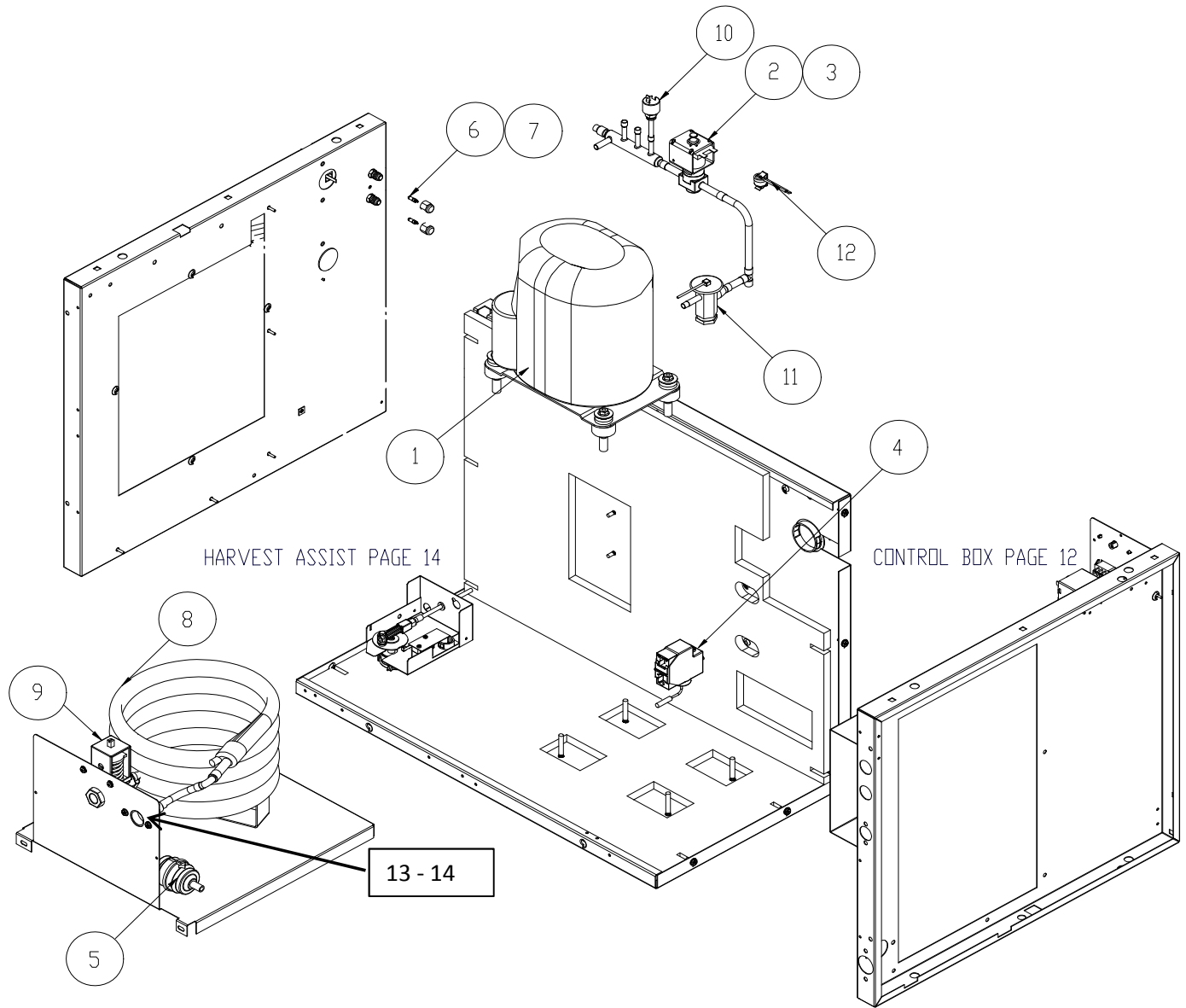
13	9131383-01	9131383-01	9131383-01	Fan Blade-NLA as a separate part
14	9161124-02	9161124-02	9161124-02	Fan Motor-NLA as a separate part
15	3013252-01	3013252-01	3013252-01	Fan Motor Bracket-NLA as a separate part

16	N/A	9091136-01	N/A	Restrictor
21	9041098-01	9041098-01	9041098-01	High Temperature Safety Control

*Note ICE0605 Air Cooled Compressor 9181128-11 is NLA, Use Kit 1051190-01

**Note ICE0605 Air Cooled Version A5-T5 , From Serial Number 12031280013182

#Note The 101 suffix on the Expansion Part Numbers indicates the inclusion of an Insulation Pad, Cable Tie and Strap



ICE Series Service Parts

Water Cooled

Item No.	Model Number					Description
	ICE0250W	ICE0400W	ICE0406W	ICE0500W	ICE0606W	
1	9181121-11	9181121-11	9181126-11	9181124-11	1051189-01*	Compressor Kit See Notes Below
					9181125-11**	NLA Use 1051189-01 Kit
					9181145-11A***	Compressor From SN12041280010051
2	9151123-01	9151123-01	9151123-01	9151123-01	9151123-01	Hot Gas Valve Body
3	9151123-03	9151123-03	9151123-04	9151123-03	9151123-04	Hot Gas Valve Coil
4	9041104-101A	9041104-101A	9041104-101A	9041104-101A	9041104-101A	Low Pressure Control Replaces 9041094-01
5	9151163-01	9151163-01	9151163-01	9151163-01	9151163-01	Filter Drier (Replaces 9151004-02)
6	9091086-02	9091086-02	9091086-02	9091086-02	9091086-02	Service Valve Core
7	9091086-03	9091086-03	9091086-03	9091086-03	9091086-03	Service Valve Cap
8	9141061-01	9141023-01	9141023-01	9141024-01	9141024-01	Condenser
9	9041059-01	9041059-01	9041059-01	9041059-01	9041059-01	Water Valve
10	9041111-01	9041111-01	9041111-01	9041111-01	9041111-01	High Pressure Control 9041091-01 is Obsolete
11	9151154-101	9151149-101	9151149-101	9151149-101	9151151-101	Expansion Valve (Includes Install Components)#
	9131145-02	9131145-02	9131145-02	9131145-02	9131145-02	Insulation-Danfoss Expansion Valve
12	9041098-01	9041098-01	9041098-01	9041098-01	9041098-01	High Temperature Safety Control
13	9091063-02	9091063-02	9091063-02	9091063-02	9091063-02	Condenser Water Out Fitting
14	9031019-11P	9031019-11P	9031019-11P	9031019-11P	9031019-11P	Condenser Water Out Fitting Fasteners

*1051189-01 includes 9181145-11 Compressor

** 9181125-11 is NLA = CS08KQE-PFV-255

***9181145-11A = RST70C1E-PFV

See Page 18 for compressor components

See Page 18 for compressor components

See Page 18 for compressor components

#Note The 101 suffix on the Expansion Part Numbers indicates the inclusion of an Insulation Pad, Cable Tie and Strap

Item No.	Model Number			Description
	ICE0305W	ICE0405W	ICE0605W	
1	9181127-11	9181127-11	1051190-01*	Compressor Kit* See Notes Below
			9181128-11**	NLA Use 1051190-01
			9181147-11***	Compressor Kit From SN12041280010894
2	9151123-01	9151123-01	9151123-01	Hot Gas Valve Body
3	9151123-04	9151123-04	9151123-04	Hot Gas Valve Coil
4	9041104-101A	9041104-101A	9041104-101A	Low Pressure Control (Replaces 9041094-01)
5	9151163-01	9151163-01	9151163-01	Filter Drier (Replaces 9151004-02)
6	9091086-02	9091086-02	9091086-02	Service Valve Core
7	9091086-03	9091086-03	9091086-03	Service Valve Cap
8	9141061-01	9141023-01	9141024-01	Condenser
9	9041059-01	9041059-01	9041059-01	Water Valve
10	9041111-01	9041111-01	9041111-01	High Pressure Control 9041091-01 is Obsolete
11	9151154-101	9151149-101	9151149-101	Expansion Valve (Includes Install Components)#
	9131145-02	9131145-02	9131145-02	Insulation-Danfoss Expansion Valve
12	9041098-01	9041098-01	9041098-01	High Temperature Safety Control
13	9091063-02	9091063-02	9091063-02	Condenser Water Out Fitting
14	9031019-11P	9031019-11P	9031019-11P	Condenser Water Out Fitting Fasteners

*1051190-01 includes 9181147-11 Compressor

** 9181128-11 is NLA = CS08KQE-PFZ-255

***9181147-11 = RST80C1E-PFZ

See Page 18 for compressor components

See Page 18 for compressor components

See Page 18 for compressor components

#Note The 101 suffix on the Expansion Part Numbers indicates the inclusion of an Insulation Pad, Cable Tie and Strap

Item No.	Model Number					Description
	ICE0250	ICE0400	ICE0406	ICE0500R	ICE0606R	
1	N/A	N/A	N/A	9181124-11	1051189-01	Compressor Kit, Includes 9181145-11
					9181125-11*	Compressor is NLA, Use 1051189-01
					9181145-11A**	Compressor, From SN12041280010053
2	N/A	N/A	N/A	9151123-01	9151123-01	Hot Gas Valve Body
3	N/A	N/A	N/A	9151123-03	9151123-04	Hot Gas Valve Coil
4	N/A	N/A	N/A	9041104-101A	9041104-101A	Low Pressure Control (9041094-01 NLA)
5	N/A	N/A	N/A	9151163-02	9151163-02	Filter Drier (Replaces 9151004-04)
6	N/A	N/A	N/A	9091086-02	9091086-02	Service Valve Core
7	N/A	N/A	N/A	9091086-03	9091086-03	Service Valve Cap
8	N/A	N/A	N/A	9151074-01	9151074-01	Receiver
9	N/A	N/A	N/A	2091204-01S	N/A	Accumulator
10	N/A	N/A	N/A	9041111-01	9041111-01	High Pressure Control 9041091-01 is Obsolete
11	N/A	N/A	N/A	9151149-101	9151151-101	Expansion Valve (Includes Install Components)#
	N/A	N/A	N/A	9131145-02	9131145-02	Insulation Danfoss Expansion Valve
12	N/A	N/A	N/A	9041098-01	9041098-01	High Temperature Safety Control
13	N/A	N/A	N/A	9041092-02	9041092-02	Pump Down Control
14	N/A	N/A	N/A	9151146-01	N/A	Crankcase Pressure Regulator 9151086-01 is NLA
15	N/A	N/A	N/A	9151123-02	9151123-02	Liquid Line Solenoid Body
16	N/A	N/A	N/A	9151123-03	9151123-04	Liquid Line Solenoid Coil
17	N/A	N/A	N/A	9091137-01	9091137-01	Valve-Shut Off
18	N/A	N/A	N/A	9091001-11	9091001-11	Remote Fitting 3/8 Male
19	N/A	N/A	N/A	9091001-12	9091001-12	Remote Fitting 1/2 Male
20	N/A	N/A	N/A	9151139-01	9151139-01	Check Valve

*9181125-11 = CS08KQE-PFV-255

See Page 18 for compressor components

**9181145-11A = RST70C1E-PFV

See Page 18 for compressor components

#Note The 101 suffix on the Expansion Part Numbers indicates the inclusion of an Insulation Pad, Cable Tie and Strap

Item No.	Model Number			Description
	ICE0305	ICE0405	ICE0605R	
1	N/A	N/A	1051190-01	Compressor Kit, Includes 9181147-11
			9181128-11*	Compressor is NLA, Use 1051190-11
			9181147-11**	Compressor Kit, From SN12031280010797
2	N/A	N/A	9151123-01	Hot Gas Valve Body
3	N/A	N/A	9151123-04	Hot Gas Valve Coil
4	N/A	N/A	9041104-101A	Low Pressure Control (9041094-01 NLA)
5	N/A	N/A	9151163-02	Filter Drier (Replaces 9151004-04)
6	N/A	N/A	9091086-02	Service Valve Core
7	N/A	N/A	9091086-03	Service Valve Cap
8	N/A	N/A	9151074-01	Receiver
9	N/A	N/A	N/A	Accumulator
10	N/A	N/A	9041111-01	High Pressure Control 9041091-01 is Obsolete
11	N/A	N/A	9151149-101	Expansion Valve (Includes Install Components)#
	N/A	N/A	9131145-02	Insulation Danfoss Expansion Valve
12	N/A	N/A	9041098-01	High Temperature Safety Control
13	N/A	N/A	9041092-02	Pump Down Control
14	N/A	N/A	N/A	Crankcase Pressure Regulator
15	N/A	N/A	9151123-02	Liquid Line Solenoid Body
16	N/A	N/A	9151123-04	Liquid Line Solenoid Coil
17	N/A	N/A	9091137-01	Valve-Shut Off
18	N/A	N/A	9091001-11	Remote Fitting 3/8 Male
19	N/A	N/A	9091001-12	Remote Fitting 1/2 Male
20	N/A	N/A	9151139-01	Check Valve

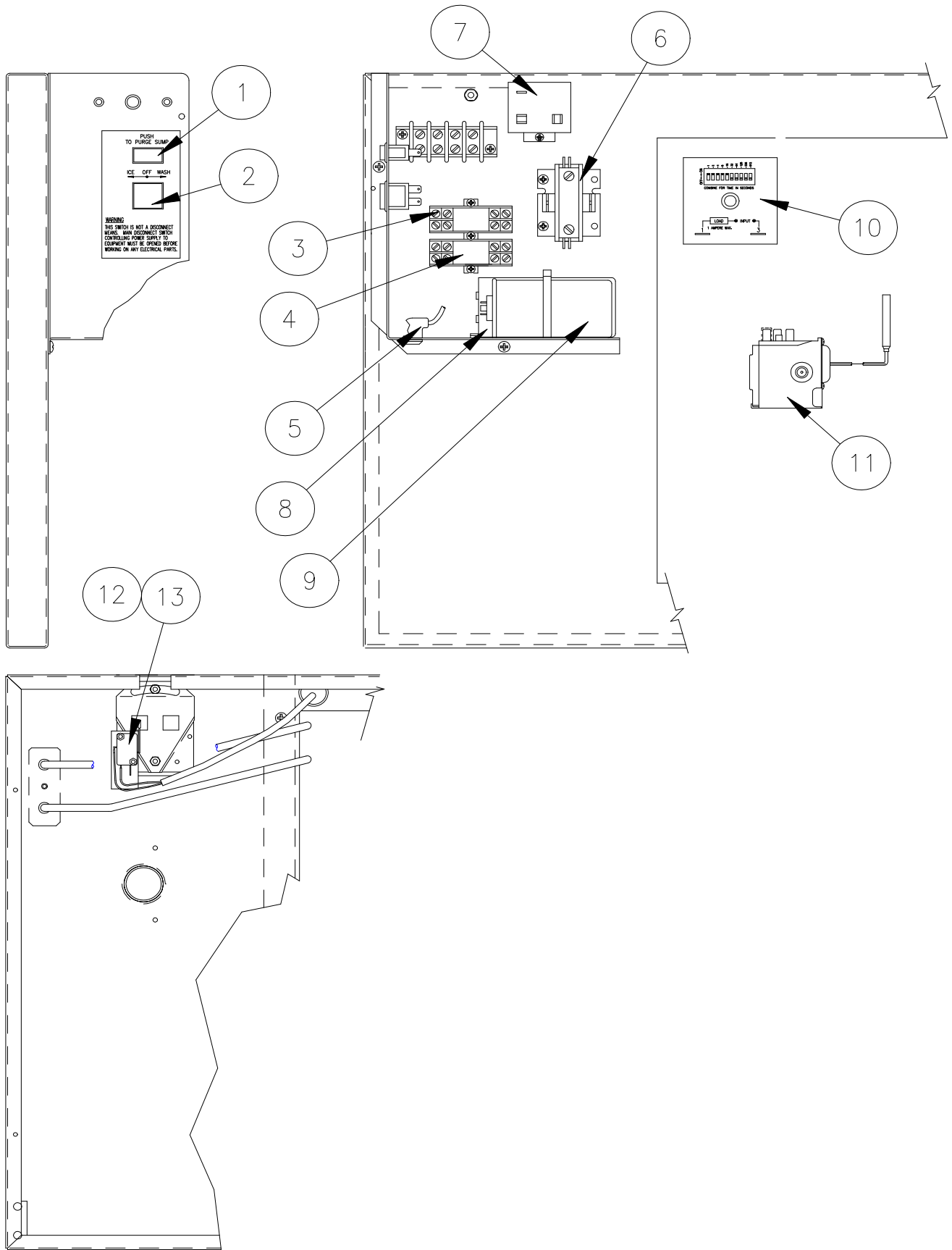
#Note The 101 suffix on the Expansion Part Numbers indicates the inclusion of an Insulation Pad, Cable Tie and Strap

*9181128-11 = CS08KQE-PFZ-255

See Page 18 for compressor components

**9181147-11 = RST70C1E-PFZ

See Page 18 for compressor components



Item No.	Model Number					Description
	ICE0250	ICE0400	ICE0406	ICE0500	ICE0606	
1	9101139-03	9101139-03	9101139-03	9101139-03	9101139-03	Purge Switch 9101348-01 is NLA
1	9101139-03	9101139-03	9101139-03	9101139-03	9101139-03	Purge Switch 1051208-01 is NLA
2	9101195-01	9101195-01	9101195-01	9101195-01	9101195-01	ON-OFF-WASH Switch 9101349-01 is NLA
3	9101083-01	9101083-01	9101083-01	9101083-01	9101083-01	Relay Socket
4	9101084-01	9101084-01	9101084-02	9101084-01	9101084-02	Relay
5	9101218-12	9101218-12	9101218-12	9101218-12	9101218-12	Water Pump Cord
6	9101002-07	9101002-07	9101002-06	9101002-07	9101002-06	Contactora
7	See Page 18	See Page 18	See Page 18	See Page 18	See Page 18	Compressor Start Relay
8	See Page 18	See Page 18	See Page 18	See Page 18	See Page 18	Start Capacitor
9	See Page 18	See Page 18	See Page 18	See Page 18	See Page 18	Run Capacitor
10	9101148-01	9101148-01	9101148-01	9101148-01	9101148-01	Timer
11	9041104-101A	9041104-101A	9041104-101A	9041104-101A	9041104-101A	Low Pressure Timer Initiate 9041094-01 NLA
12	2061471-03S	2061471-03S	2061471-03S	2061471-03S	2061471-03S	Curtain Switch Assembly
13	9101124-02	9101124-02	9101124-02	9101124-02	9101124-02	Curtain Switch

Item No.	Model Number			Description
	ICE0305	ICE0405	ICE0605	
1	9101139-03	9101139-03	9101139-03	Purge Switch 9101348-01 is NLA
1	9101139-03	9101139-03	9101139-03	Purge Switch 1051208-01 is NLA
2	9101195-01	9101195-01	9101195-01	ON-OFF-WASH Switch 9101349-01 is NLA
3	9101083-01	9101083-01	9101083-01	Relay Socket
4	9101084-02	9101084-02	9101084-02	Relay
5	9101218-12	9101218-12	9101218-12	Water Pump Cord
6	9101002-06	9101002-06	9101002-06	Contactora
7	See Page 18	See Page 18	See Page 18	Compressor Start Relay
8	See Page 18	See Page 18	See Page 18	Start Capacitor
9	See Page 18	See Page 18	See Page 18	Run Capacitor
10	9101148-01	9101148-01	9101148-01	Timer
11	9041104-101A	9041104-101A	9041104-101A	Low Pressure Timer Initiate 9041094-01 NLA
12	2061471-03S	2061471-03S	2061471-03S	Curtain Switch Assembly
13	9101124-02	9101124-02	9101124-02	Curtain Switch

When an ICE Series Cuber is mounted on a dispenser, the KCUBEDISP install kit is required.

Replacement Thermostatic Bin Control Part Number 9041097-01



1051210-XX Reference Page 15 for Specific Model Number and Part Number

- The **1051210-XX** assembly will fit all ICE Models from October 1999 and EC Models.
- Units installed with a double cam switch, either Field installed or Factory installed will require the complete assembly and a potential wiring change as per the New Wiring Diagram included with the assembly.
- Individual component parts are not available for the **1051210-XX** assembly.
- Individual component parts are No Longer Available for previous version of the Harvest Assist Assembly
- Parts for the **2061962-XX** Harvest Assist Assembly are not compatible with **1051210-XX** Harvest Assist Assembly.
- Proper assembly and alignment of the parts is critical to proper operation, this includes cam and probe alignment.

ICE Series Service Parts

Harvest Assist Assembly

Reference the Model Numbers below for the specific Harvest Assist Assembly

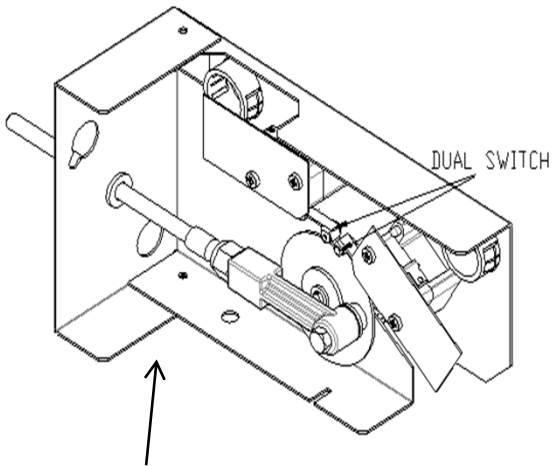
Item No.	Model Number					Description
	ICE0250	ICE0400	ICE0406	ICE0500	ICE0606	
1	1051210-01B	1051210-01B	1051210-02B	1051210-01B	1051210-02B	Complete Assembly
	2061962-01S	2061962-01S	2061962-02S	2061962-01S	2061962-02S	No Longer Available

Item No.	ICE0305	ICE0405	ICE0605	Description
	1	1051210-02B	1051210-02B	
	2061962-02S	2061962-02S	2061962-02S	No Longer Available

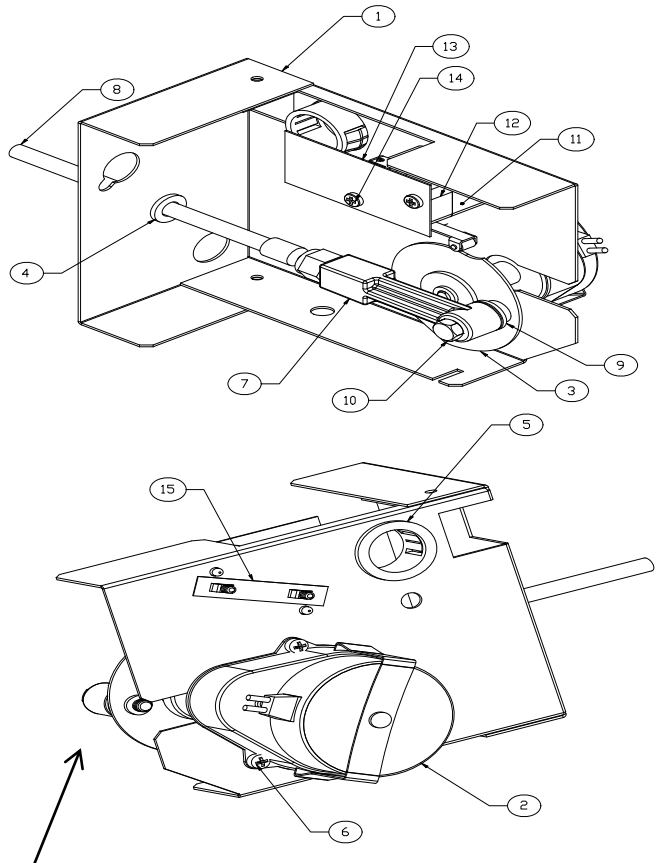
1051210-XX are only supplied as complete assemblies, individual components are not available.

Please reference the above Model Numbers to insure the correct assembly is supplied

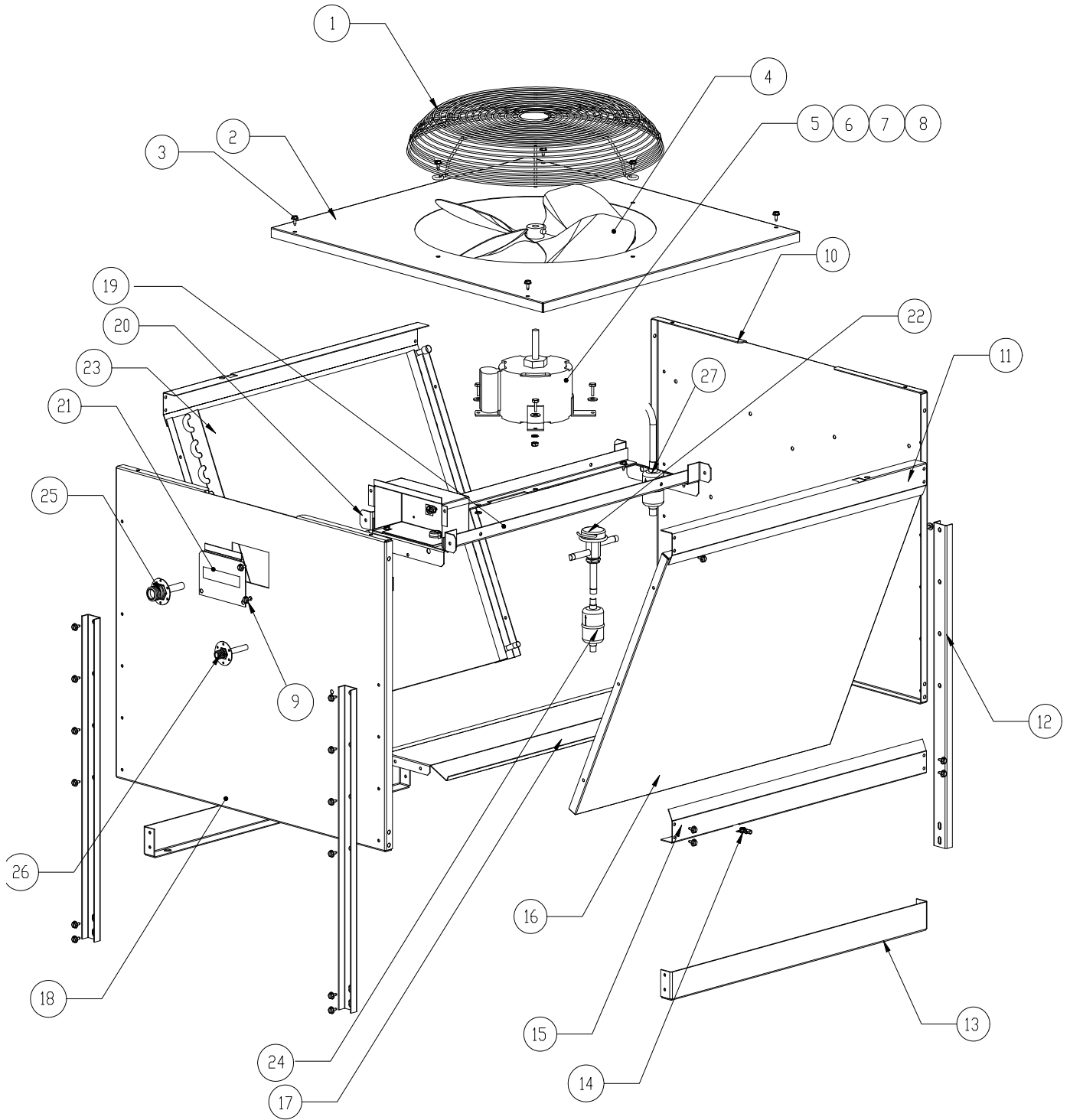
THE DUAL CAM SWITCH HARVEST ASSIST ASSEMBLIES ARE NO LONGER AVAILABLE



1051199-01	No Longer Available
1051200-01	No Longer Available
1051201-01	No Longer Available
1051202-01	No Longer Available
1051207-01	No Longer Available



2061962-01S	No Longer Available
2061962-02S	No Longer Available



Item No.	Model Number		Description
	VRC1001	VRC1061	
1	9131452-01	9131452-01	Fan Guard
2	3013222-01	3013222-01	Top Panel
3	9031019-04	9031019-04	1/4-20 x 1/2 Screw
4	9131451-01	9131451-01	Fan Blade
5	9161117-02	9161117-01	Fan Motor
6	9031001-02	9031001-02	1/4-20 x 3/4 Cap Screw
7	9031003-01	9031003-01	Flat Washer
8	9031118-02	9031118-02	Flanged Lock Nut 1/4-20
9	9031019-04	9031019-04	1/4-20 x 1/2 Screw
10	3013224-01	3013224-01	Rear Panel
11	3013226-01	3013226-01	Brace
12	3013227-01	3013227-01	Leg
13	3013228-01	3013228-01	Leg Brace
14	N/A	N/A	T-Nut-Shipping Only
15	3013226-01	3013226-01	Brace
16	3013232-01	3013232-01	Cover Panel
17	3013225-01	3013225-01	Center Panel
18	3013223-01	3013223-01	Front Panel
19	3013234-01	3013234-01	Motor Brace
20	3013233-01	3013233-01	Motor Brace Support
21	3013229-01	3013229-01	Junction Box Cover
22	9151027-07	9151027-06	Head Pressure Control Valve
23	9141135-01	9141135-01	Condenser
24	9151143-01	9151143-01	Filter
25	9091001-12	9091001-12	1/2 Coupling
26	9091001-11	9091001-11	3/8 Coupling
27	9151143-02	9151143-02	Filter

ICE0500R ICE0606R
ICE0605R

ICE Series Service Parts

Compressor Components

Note: Reference the Compressor Part Number and Manufacture Part Number to insure the correct starting components are supplied for a specific compressor.

Reference the compressor model number to insure the correct starting components are ordered.

If in doubt, request the compressor manufacture part number from the service agent.

Item No.	Model Number					Description
	ICE0250	ICE0400	ICE0406	ICE0500	ICE0606	
1	9181121-11	9181121-11	9181126-11	9181124-11	9181125-11	Compressor
2	9181005-37	9181005-37	9181005-44	9181005-43	Internal	Overload
3	9181004-27	9181004-27	9181010-29	9181010-28	9181010-10	Relay
4	9181003-39	9181003-39	9181003-45	9181003-40	9181003-19	Start Capacitor
5	N/A	N/A	9181009-08	9181009-11	9181009-16	Run Capacitor

	Model Number				Description
	ICE0305		ICE0405	ICE0605	
1	9181127-11		9181127-11	9181128-11	Compressor
2	9181005-44		9181005-44	Internal	Overload
3	9181010-30		9181010-30	9181010-10	Relay
4	9181003-45		9181003-45	9181003-44	Start Capacitor
5	9181009-08		9181009-08	9181009-17	Run Capacitor

Reference the compressor model number to insure the correct starting components are ordered.

				ICE0606	
				9181125-11	CS08KQE-PFV-255
				ICE0605	
				9181128-11	CS08KQE-PFZ-255
				ICE0606	
				9181145-11A	RST70C1E--PFV
				ICE0605	
				9181147-11	RST80C1E-PFZ
			ICE0500 Air	9181124-11	AKA9455ZXA Prior to SN12061280013655
			ICE0500 Air	9181137-11A/B	RST55C1E-CAA From SN12061280013656

The following compressors are No Longer Available and have been replace with new kits.

				9181125-01	1051189-01 Includes 9181145-11
				9181128-01	1051190-01 Includes 9181147-11

Reference the compressor model number to insure the correct starting components are ordered.

			ICE0500	ICE0606	Description
			9181137-11A/B	9181145-11A	Compressor
			9181005-45	Internal	Overload
			9181010-14	9181010-27	Relay
			9181003-50	9181003-52	Start Capacitor
			9181009-25	9181009-19	Run Capacitor

				ICE0605	Description
				9181147-11	Compressor
				Internal	Overload
				9181010-01	Relay
				9181003-54	Start Capacitor
				9181009-17	Run Capacitor

RED=No Longer Available

Item	Part Number	Description
1	2021787-02	Deflector
2	2061293-51	Wire Assembly
3	3013572-01	Bin Stat Tube Bracket
4	3033768-01	Bin Stat Tube
5	6021018-03	Tubing PVC Insulation (For Bin Stat Cap Tube)
6	9041097-01	Bin Thermostat
7	9101395-01	Wiring Harness, Bin Stat (CIM Units)

