

# Flake Ice Machines

# Electrical System

## EMF450/405A/W

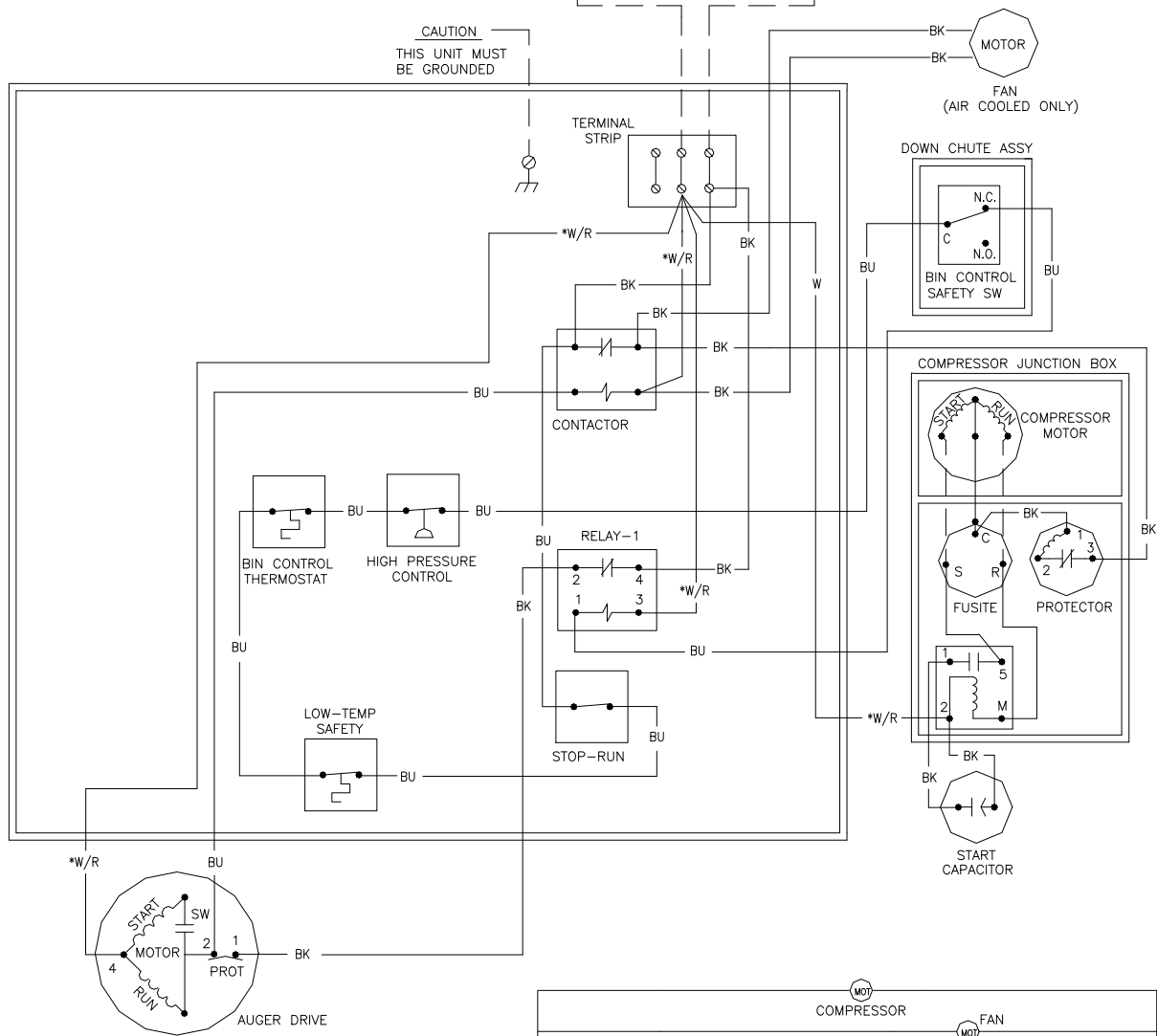
\*WHITE WIRE USED ON  
100-120 VOLT UNITS.  
\*RED WIRE USED ON  
200-240 VOLT UNITS.

FUSE REQUIRED ON  
BOTH SIDES OF  
POWER SUPPLY FOR  
200-240 VOLT UNITS

POWER SUPPLY  
SEE NAMEPLATE FOR  
PROPER VOLTAGE  
REQUIREMENTS AND  
PROPER FUSE OR HACR  
TYPE BREAKER SIZE

FUSE REQUIRED ONLY  
ON LINE SIDE OF  
POWER SUPPLY FOR  
100-120 VOLT UNITS

CAUTION  
THIS UNIT MUST  
BE GROUNDING



CONTROLS SHOWN IN NORMAL  
ICE MAKING MODE

