

6.0 EC-SERIES CUBERS EC200-EC300-EC400-EC500-EC606 AIR, WATER AND REMOTE

Item Code	Part Description	Part Number	GRP	EC 200	EC 300	EC 400	EC 406	EC 500	EC 606
<b>AIR COOLED</b>									
5	Air Condenser	9141048-01	AC	X					
5	Air Condenser	NLA	AC		X				
5	Air Condenser	9141084-01	AC			X	X	X	X
5	Air Condenser (After 1-98)	9141104-01	AC	X					
5	Air Condenser (After 10-97)	9141105-01	AC		X				
5	Air Condenser (After 10-97)	9141106-01	AC			X	X	X	X
10	Fan Blade 10" (Cardboard Shroud)	9131053-02	AC	X					
10	Fan Blade 10" (Cardboard Shroud)	9131053-03	AC		X	X		X	X
10	Fan Blade (Metal Shroud)	9131333-01	AC	X	X	X			
10	Fan Blade (Metal Shroud)	9131332-02	AC				X	X	X
15	Fan Motor (Cardboard Shroud)	9161077-01	AC	X	X				
15	Fan Motor (Cardboard Shroud)	9161078-01	AC			X		X	
15	Fan Motor (Cardboard Shroud)	9161078-03	AC						X
15	Fan Motor (Metal Shroud)	9161108-01	AC	X	X	X			
15	Fan Motor (Metal Shroud)	9161089-02	AC					X	
15	Fan Motor (Metal Shroud)	9161089-01	AC				X		X
20	Fan Motor Bracket (Cardboard)	9131054-01	AC	X	X	X	X	X	X
20	Fan Motor Bracket (Metal)	3012527-01	AC	X	X	X	X	X	X
25	Fan Shroud (Metal)	3013112-01	AC	X	X	X	X	X	X
30	Fan Shroud Screw #8-18x1/2	9031046-03	AC	X	X	X	X	X	X
40	Crankcase Pressure Relief Valve	9151086-01	AC					X	
<b>COMPRESSOR AND COMPONENTS (*Kit Includes Drier and Start Components)</b>									
100	*Compressor Kit	9181084-11	C	X					
100	*Compressor Kit	9181086-11	C		X	X			
100	*Compressor Kit	9181086-12	C				X		
100	*Compressor Kit	9181085-12	C					X	
100	*Compressor Kit	9181083-11	C						X
101	Overload	9181005-12	C		X	X			
101	Overload	9181005-22	C					X	
105	Run Capacitor	9181009-17	C					X	
105	Run Capacitor	9181009-11	C						X
110	Start Capacitor	9181003-24	C	X					
110	Start Capacitor	9181003-17	C		X	X			
110	Start Capacitor	9181003-05	C				X		
110	Start Capacitor	9181003-26	C					X	
110	Start Capacitor	9181003-20	C						X
115	Start Relay	9181004-18	C	X					
115	Start Relay	9181010-14	C		X	X			
115	Start Relay	9181004-07	C				X		
115	Start Relay	9181010-12	C					X	X
<b>ELECTRICAL</b>									
205	Bin Control Thermostat 2 Pole(96")	9041004-03	E	X	X	X	X	X	X
210	Contactora - 1 Pole 115V	9101002-03	E		X	X		X	
210	Contactora - 1 Pole 230V	9101002-04	E				X		X
215	Terminal Board - 3 Pole	9101037-01	E		X		X	X	X
220	High Temp Safety Thermostat	9041087-03	E	X	X	X	X	X	X
225	Relay 115V	9101084-01	E	X	X	X		X	
225	Relay 230V	9101084-02	E				X		X
230	Relay Socket	9101083-01	E	X	X	X	X	X	X
235	Switch Assy-Bin Control (Curtain)	2061471-03	E	X	X	X	X	X	X

6.0 EC-SERIES CUBERS EC200-EC300-EC400-EC500-EC606 AIR, WATER AND REMOTE

Item Code	Part Description	Part Number	GRP	EC 200	EC 300	EC 400	EC 406	EC 500	EC 606
<b>ELECTRICAL (Continued)</b>									
240	Switch - Bin Control Limit (Curtain)	9101124-02	E	X	X	X	X	X	X
245	Switch - On/Off/Wash (Rocker)	9101195-01	E	X	X	X	X	X	X
250	Switch - Purge (Rocker)	9101139-03	E	X	X	X	X	X	X
255	Timing Module	9101148-01	E	X	X	X	X	X	X
260	Water Pump Cordset	9101218-05	E	X	X	X	X	X	X
<b>EVAPORATOR</b>									
300	Evaporator Plastic Bottom	9051135-04	EV	X	X	X	X	X	X
305	Evaporator Plastic Side Panel LH	9051136-07	EV	X	X				
305	Evaporator Plastic Side Panel LH	9051136-05	EV			X	X	X	X
310	Evaporator Plastic Side Panel RH	9051136-08	EV	X	X				
310	Evaporator Plastic Side Panel RH	9051136-06	EV			X	X	X	X
315	Evaporator Plastic Top - Spillway	9051135-05	EV	X	X	X	X	X	X
320	Evaporator Plate Assy - Full Cube	2051156-81	EV	X	X				
320	Evaporator Plate Assy - Half Cube	2051156-82	EV	X	X				
320	Evaporator Plate Assy - Jumbo	NLA	EV	X	X				
320	Evaporator Plate Assy - Full Cube	2051148-81	EV			X	X	X	X
320	Evaporator Plate Assy - Half Cube	2051148-82	EV			X	X	X	X
320	Evaporator Plate Assy - Jumbo	NLA	EV			X	X	X	X
<b>HARVEST MOTOR ASSEMBLY</b>									
900	Bushing-Plastic	9051001-13	HA	X	X	X	X	X	X
905	Clutch (Cam) 160 Degree	9131190-01	HA	X	X	X	X	X	X
910	Connecting Rod	9051057-01	HA	X	X	X	X	X	X
915	Drip Shield	3012280-01	HA	X	X	X	X	X	X
920	Harvest Probe Assy 115V (OLD)	2061620-03S	HA	X	X	X		X	
920	Harvest Probe Assy 230V (OLD)	2061620-06S	HA				X		X
920	Harvest Probe Assy 115V (NEW)	2061962-01S	HA	X	X	X		X	
920	Harvest Probe Assy 230V (NEW)	2061962-02S	HA				X		X
925	Hex Nut 10 x 32 (Swivel/Shaft)	9031005-03	HA	X	X	X	X	X	X
930	Probe Motor 115V	9161030-01	HA	X	X	X		X	
930	Probe Motor 230V	9161031-01	HA				X		X
935	Probe Shaft (OLD)	9131189-01	HA	X	X	X	X	X	X
935	Probe Shaft (NEW)	9021102-01	HA	X	X	X	X	X	X
940	Screw Shoulder-Rod/Clutch	9031119-01	HA	X	X	X	X	X	X
945	Screw #4-40x3/4 (Switch)	9031008-16	HA	X	X	X	X	X	X
950	Screw #6-32x1/2 (Motor)	9031019-08	HA	X	X	X	X	X	X
955	Nut Plate (Switch Screws)	9031120-01	HA	X	X	X	X	X	X
960	Switch Insulator (Micro)	3051145-01	HA	X	X	X	X	X	X
965	Switch - Cam (Micro)	9101160-01	HA	X	X	X	X	X	X
970	Swivel for 9131189-01 (OLD)	9021017-02	HA	X	X	X	X	X	X
975	Washer - Flat #10, Stainless	9031003-03	HA	X	X	X	X	X	X
<b>MISCELLANEOUS</b>									
405	Hose Clamp #14	9021010-03	M	X	X	X	X	X	X
410	Hose Clamp #18	9021010-04	M	X	X	X	X	X	X
420	Ice Deflector Kit (W/O Thermo-well)	1051026-01	M	X	X	X	X	X	X
425	Ice Deflector Kit (With Thermo-well)	1051026-03	M	X	X	X	X	X	X
430	Ice Deflector	3012522-01	M	X	X	X	X	X	X
435	Screw Retainer (Rubber Washer)	9031004-19	M	X	X	X	X	X	X
440	Screw - Water Trough	9031046-17	M	X	X	X	X	X	X

6.0 EC-SERIES CUBERS EC200-EC300-EC400-EC500-EC606 AIR, WATER AND REMOTE

Item Code	Part Description	Part Number	GRP	EC	EC	EC	EC	EC	EC
				200	300	400	406	500	606
<b>MISCELLANEOUS (Continued)</b>									
445	Screw - Water Tube Assy	9031122-01	M	X	X	X	X	X	X
450	Water Trough Guard	3012493-01	M			X	X	X	X
455	Water Trough Clip	3012545-01	M	X	X	X	X	X	X
460	Plastic Nut (Square Screw Retainer)	9031141-01	M	X	X	X	X	X	X
<b>PANELS</b>									
502	Control Box Cover	NLA	P	X	X	X	X	X	X
506	Front Panel Stainless	2031335-02	P	X	X	X	X	X	X
506	Front Panel (ICE-O-MATIC LOGO)	2031374-01	P	X	X	X	X	X	X
510	J Clip	9021060-01	P	X	X	X	X	X	X
514	Rear Brace	3012515-01	P	X	X	X	X	X	X
516	Rear Panel	3021655-01	P	X					
516	Rear Panel	3021658-01	P		X	X	X	X	X
518	Screw Front Panel	9031046-01	P	X	X	X	X	X	X
524	Screw Panel	9031074-01	P	X	X	X	X	X	X
528	Side Panel LH W/O Louvers Stainless	3021378-04	P	X	X	X	X	X	X
528	Side Panel LH W/O Louvers	NLA	P	X	X	X	X	X	X
530	Side Panel RH W/Louvers Stainless	3021378-02	P	X	X	X	X	X	X
530	Side Panel RH W/Louvers	NLA	P	X	X	X	X	X	X
536	Top Panel Stainless	3021433-01	P	X	X	X	X	X	X
536	Top Panel	NLA	P	X	X	X	X	X	X
<b>REFRIGERATION</b>									
605	Expansion Valve (R134a)	9151006-10	REF	X					
605	Expansion Valve (R404a)	9151006-09	REF		X				
605	Expansion Valve (R404a)	9151006-08	REF			X	X	X	X
615	Filter Drier	9151004-02	REF	X	X	X	X	X	X
620	High Pressure Control (250 PSI)	NLA	REF	X					
620	High Pressure Control (450 PSI)	9041051-04	REF		X	X	X	X	X
625	Hot Gas Valve Body - ALCO	9151123-01	REF	X	X	X	X	X	
625	Hot Gas Valve Coil - ALCO 115V	9151123-03	REF	X	X	X		X	
630	Hot Gas Valve Coil - ALCO 230V	9151123-04	REF				X		X
630	Hot Gas Valve Coil - PARKER 115V	9151091-01	REF	X	X	X		X	
635	Low Pressure Timer Initiate	9041094-01	REF	X	X	X	X	X	X
<b>REMOTE</b>									
700	Accumulator Assy	2091142-01	REM					X	X
710	Filter Drier - Remote	9151004-04	REM					X	X
715	Liquid Line Sol. Body - ALCO	9151123-02	REM					X	
715	Liquid Line Sol. Coil - ALCO 230V	9151123-04	REM						X
720	Liquid Line Sol. Coil - ALCO 115V	9151123-03	REM					X	
720	Liquid Line Sol. Coil - PARKER 115V	9151091-01	REM					X	
725	Mixing Valve	9151027-02	REM					X	X
730	Pump Down Control	9041040-01	REM					X	X
730	Crankcase Pressure Relief Valve	9151086-01	REM					X	
735	Receiver	9151074-01	REM					X	X
<b>REMOTE CONDENSER</b>									
740	Coupling Half Bulkhead 1/2	9091001-12	RC					X	X
745	Coupling Half Bulkhead 3/8	9091001-11	RC					X	X
750	Coupling Half Lineset 1/2	9091001-08	RC					X	X
755	Coupling Half Lineset 1/2 W/port	9091001-10	RC					X	X
760	Coupling Half Lineset 3/8	9091001-02	RC					X	X

6.0 EC-SERIES CUBERS EC200-EC300-EC400-EC500-EC606 AIR, WATER AND REMOTE

Item Code	Part Description	Part Number	GRP	EC 200	EC 300	EC 400	EC 406	EC 500	EC 606
<b>REMOTE CONDENSER (Continued)</b>									
765	Coupling Half Lineset 3/8 W/port	9091001-04	RC					X	X
766	Coupling Half Mounting Flange 1/2	9091001-09	RC					X	X
767	Coupling Half Mounting Flange 3/8	9091001-03	RC					X	X
775	Fan Motor (115V I-O-M Manufacture)	9161110-01	RC					X	
775	Fan Motor (230V I-O-M Manufacture)	9161110-02	RC						X
770	Fan Blade ( I-O-M Manufacture)	9131357-01	RC					X	X
770	Fan Blade (LARKIN ONLY)	1011179-98	RC					X	X
775	Fan Motor (LARKIN ONLY) (115V)	1011180-99	RC					X	
775	Fan Motor (LARKIN ONLY) (230V)	1011179-99	RC						X
780	Fan Shroud (LARKIN ONLY)	1011179-97	RC					X	X
<b>WATER COOLED</b>									
790	Water Condenser	9141022-01	WC	X					
790	Water Condenser	9141061-01	WC		X				
790	Water Condenser-3 Rows	9141023-01	WC			X			
790	Water Condenser-4 Rows	9141024-01	WC				X	X	X
795	Water Regulator Valve	9041010-01	WC	X					
795	Water Regulator Valve	9041059-01	WC		X	X	X	X	X
797	Drier	9151004-02	WC	X	X	X		X	X
<b>WATER DISTRIBUTION</b>									
800	Water Distribution Tube	2041338-01	WD	X	X	X	X	X	X
805	Water Inlet Fitting (Drop Adapter)	9091074-01	WD	X	X	X	X	X	X
807	Water Inlet Fitting (With Hex Retainer)	9091083-01	WD	X	X	X	X	X	X
810	Water Inlet Tubing (26 inches)	6021032-01	WD	X	X	X	X	X	X
815	Water Pump Tube	9051142-02	WD	X	X				
815	Water Pump Tube	9051142-01	WD			X	X	X	X
820	Water Splash Curtain	9051154-07	WD	X	X				
820	Water Splash Curtain	9051154-08	WD			X	X	X	X
825	Water Trough	9051537-01	WD	X	X	X	X	X	X
830	Water Purge Drain Tube	9051280-01	WD	X	X	X	X	X	X
<b>WATER FLOAT</b>									
845	Water Float Assy	9131111-01	WF	X	X	X	X	X	X
850	Water Float Deflector	3051162-01	WF	X	X	X	X	X	X
<b>WATER PUMP</b>									
865	Water Pump Bracket, Stainless Steel	3012509-01	WP	X	X	X	X	X	X
875	Water Pump 115Volt	9161076-01	WP	X	X	X		X	
875	Water Pump 230 Volt	9161076-02	WP				X		X
	Thumbscrew for Water Pump (2 Req)	9161076-101	WP	X	X	X	X	X	X
<b>WATER PURGE VALVE</b>									
880	Water Purge Valve Assy 115V	9041060-01	WPV	X	X	X		X	
880	Water Purge Valve Assy 230V	9041060-02	WPV				X		X
890	Water Purge Valve Coil 115V	9041014-90	WPV	X	X	X		X	
890	Water Purge Valve Coil 230V	9041014-91	WPV				X		X

REFRIGERANT CHARGE			PRESSURES		
MODEL	REF TYPE	OZ.	LP	DP	HP
<b>EC 200 AIR</b>	<b>R134a</b>	<b>15</b>	<b>15</b>		250
EC 200 WATER	R134a	10	<b>15</b>	125	250
EC300 AIR	R404a	21	<b>35</b>		
EC300 WATER	R404a	14	<b>35</b>	250	450
EC400 AIR	R404a	32	<b>37</b>		
EC400 WATER	R404a	14	<b>37</b>	250	450
EC500 AIR	R404a	32	<b>30</b>		
EC500 WATER	R404a	15	<b>30</b>	250	450
EC500 REMOTE	R404a	160	<b>35</b>		450
EC606 AIR	R404a	32	<b>30</b>		
EC606 WATER	R404a	18	<b>30</b>	250	450
EC606 REMOTE	R404a	160	<b>30</b>		450

**LP= LOW PRESSURE/TIMER INITIATE CONTROL SETTING**

*DP=DISCHARGE PRESSURE SETTING/WATER COOLED CUBERS*

**HP=HIGH PRESSURE SAFETY CONTROL SETTING**

6.1 B-SERIES CUBERS EC305-EC405-EC605 AIR, WATER AND REMOTE

2/02

Item Code	Part Description	Part Number	EC 305	EC 405	EC 605
-----------	------------------	-------------	--------	--------	--------

AIR COOLED					
10	Fan Blade (Metal Shroud)	9131333-01	X		
10	Fan Blade (Metal Shroud)	9131332-02		X	
10	Fan Blade (Metal Shroud)	9131212-01			X
15	Fan Motor (Metal Shroud)	9161108-02	X		
15	Fan Motor (Metal Shroud)	9161089-01		X	X

**COMPRESSOR AND COMPONENTS (\*Kit Includes Drier and Start Components)**

100	*Compressor Kit	9181088-11	X	X	
100	*Compressor Kit	9181087-12			X
101	Overload	9181005-26	X	X	
105	Run Capacitor	9181009-11			X
110	Start Capacitor	9181003-08	X	X	
110	Start Capacitor	9181003-19			X
115	Start Relay	9181004-04	X	X	
115	Start Relay	9181010-19			X

**ELECTRICAL**

210	Contactora - 1 Pole 230V	9101002-04	X	X	X
225	Relay 230V	9101084-02	X	X	X

**EVAPORATOR**

320	Evaporator Plate Assy - Jumbo	NLA	X		
320	Evaporator Plate Assy - Jumbo	NLA		X	X

**HARVEST MOTOR ASSEMBLY**

920	Harvest Probe Assy 230V	2061620-06	X	X	X
930	Probe Motor 230V	9161031-01	X	X	X

**PANELS**

506	Front Panel (MILE HIGH LOGO)	2031374-01	X	X	X
-----	------------------------------	------------	---	---	---

**REFRIGERATION**

625	Hot Gas Valve Body - ALCO	9151123-01	X	X	X
630	Hot Gas Valve Coil - ALCO 230V	9151123-04	X	X	X

**WATER PUMP**

875	Water Pump 230 Volt	9161076-02	X	X	X
-----	---------------------	------------	---	---	---

**WATER PURGE VALVE**

880	Water Purge Valve Assy 230V	9041060-02	X	X	X
890	Water Purge Valve Coil 230V	9041014-91	X	X	X

**REFRIGERANT CHARGE**

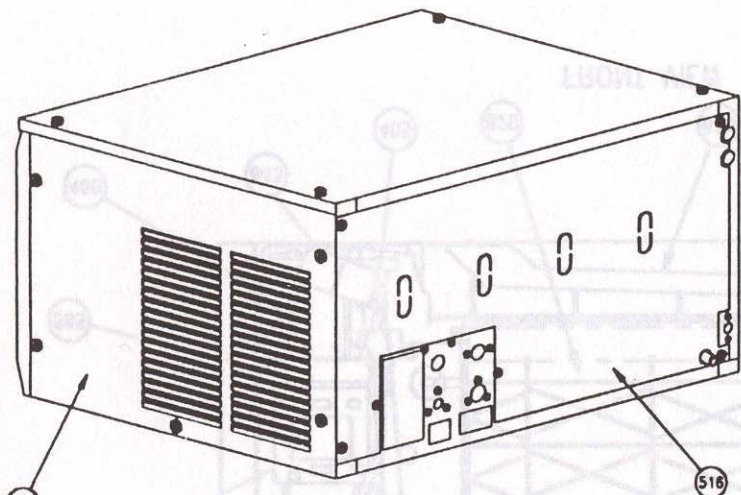
**PRESSURES**

MODEL	REF TYPE	OZ.	LP	DP
EC305 AIR	R404a	21	35	
EC305 WATER	R404a	14	35	250
EC405 AIR	R404a	32	37	
EC405 WATER	R404a	14	37	250
EC605 AIR	R404a	32	30	
EC605 WATER	R404a	18	30	250
EC605 REMOTE	R404a	160	30	

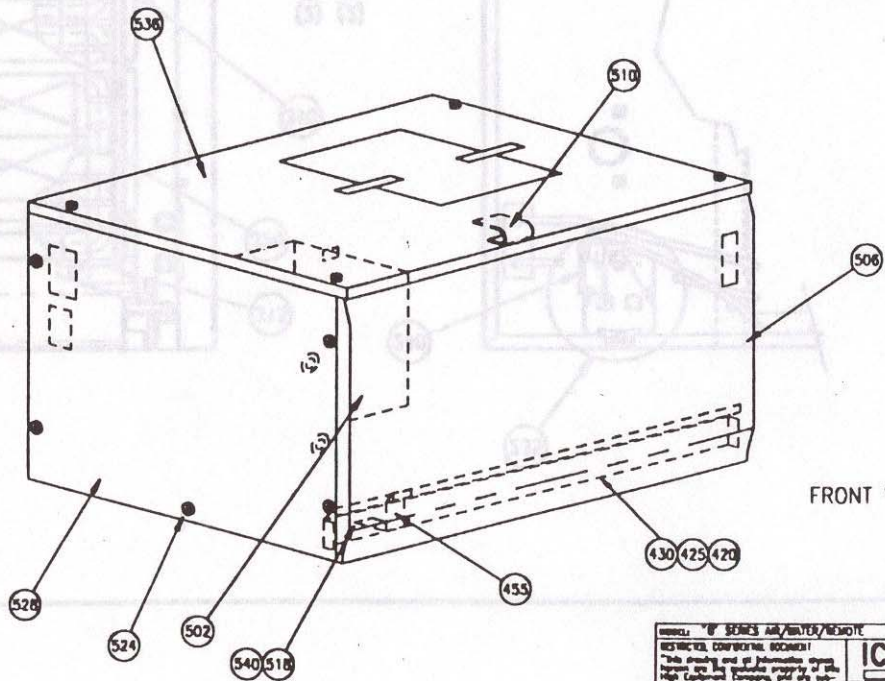
LP= LOW PRESSURE/TIMER INITIATE CONTROL SETTING

DP=DISCHARGE PRESSURE SETTING/WATER COOLED CUBERS

HP=HIGH PRESSURE SAFETY CONTROL SETTING



REAR VIEW



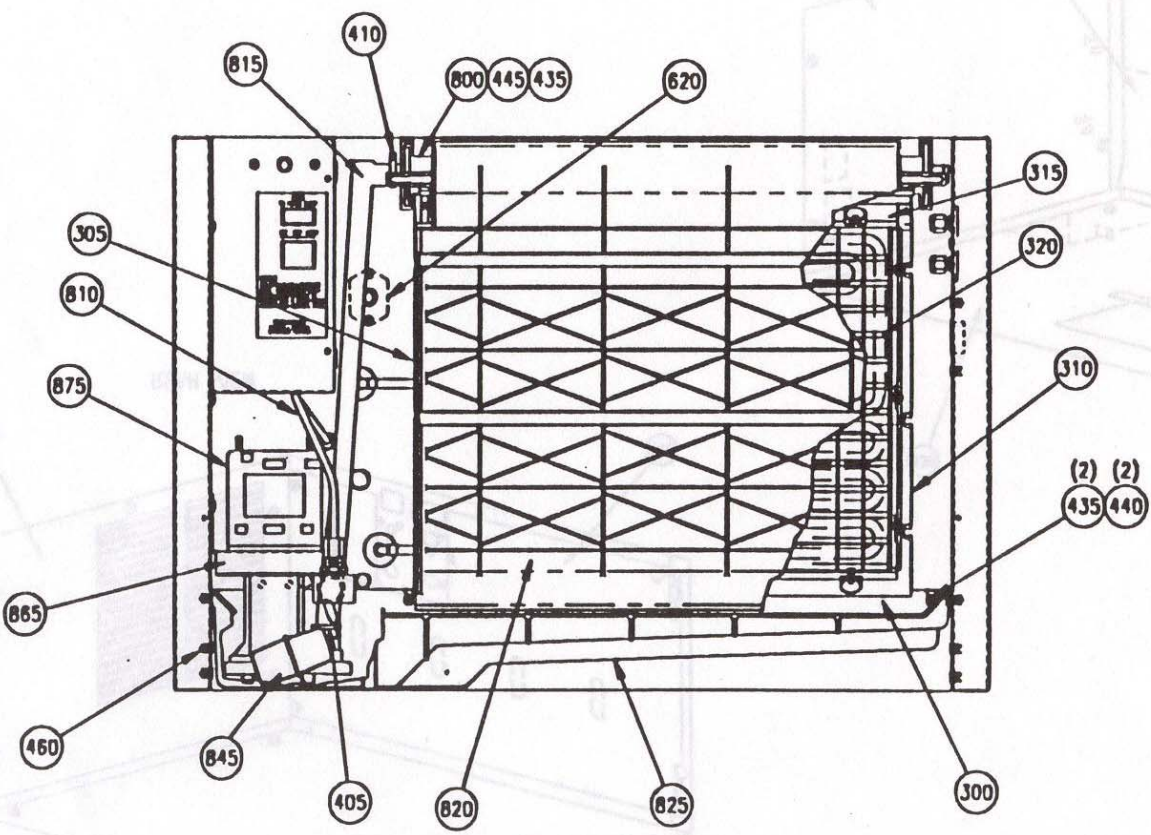
FRONT VIEW

MODEL: F SERIES AIR/WATER/REMOTE  
 RESTRICTED COPYRIGHTED DOCUMENT  
 This drawing and all information herein are the exclusive property of the  
 copyright owner. No part of this drawing may be reproduced or transmitted in any form or by any means, electronic or mechanical, including photocopying, recording, or by any information storage and retrieval system, without the prior written permission of the copyright owner.

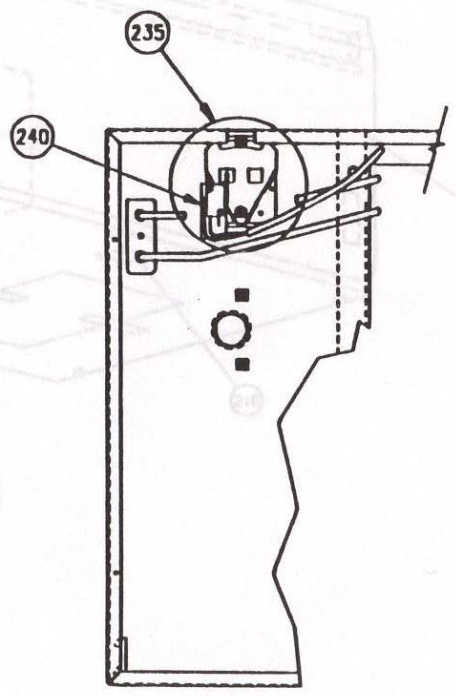
**ICE-O-MATIC**  
 PANEL ASSEMBLY



LEBOWI AEM



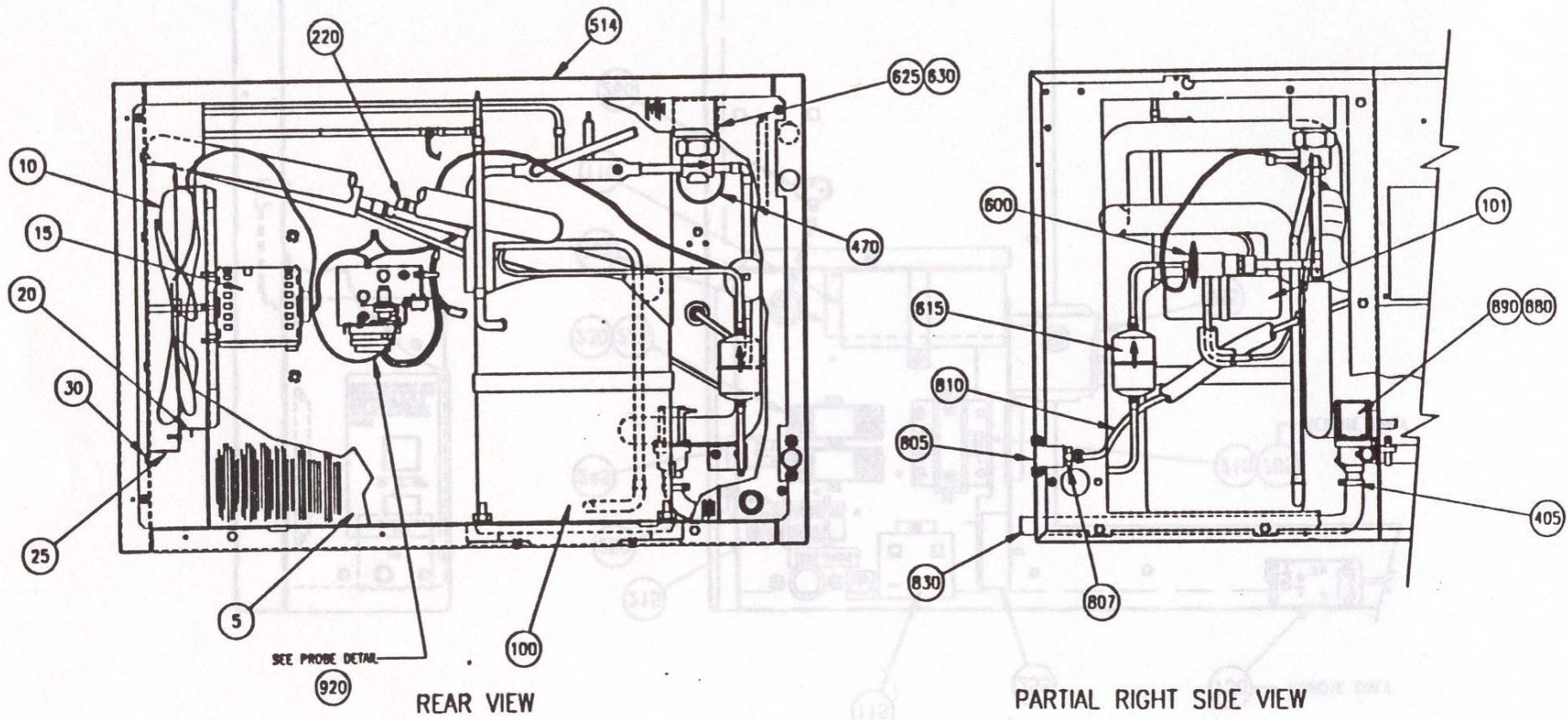
FRONT VIEW



PARTIAL RIGHT SIDE VIEW

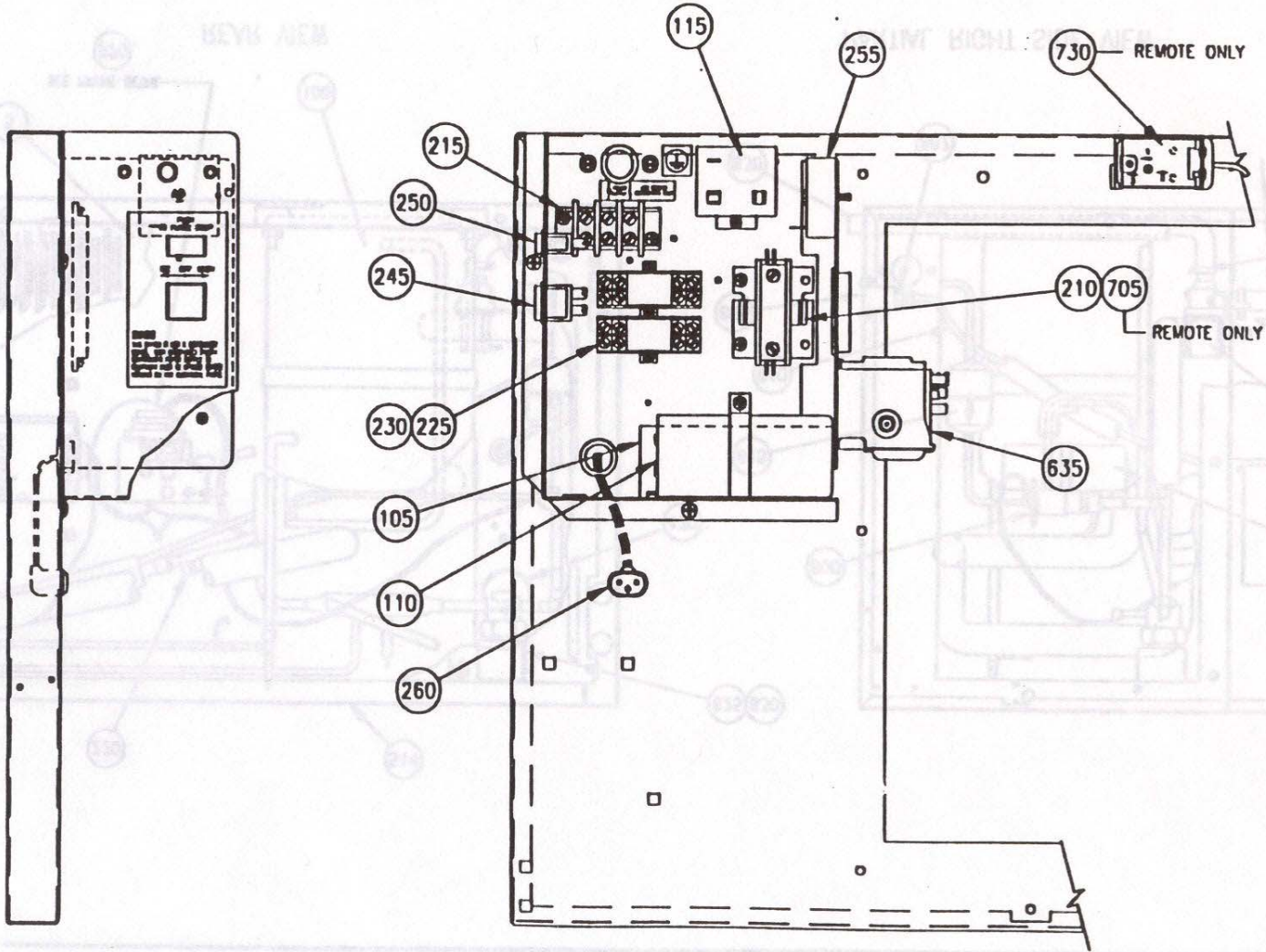
<p>FORM NO. 10 (REVISED 10/1975) REPLACES FORM NO. 10 (REVISED 10/1975) This drawing and all dimensions are the property of the manufacturer and shall not be reproduced or used in any manner without the written consent of the manufacturer.</p>	<p><b>ICE MATIC</b> CHASSIS ASSEMBLY</p>
---	--





MODEL "F" SERIES 12/15/20/25/30/35/40/45/50/55/60/65/70/75/80/85/90/95/100  
 REFRIGERATION SYSTEMS  
 This drawing and all information contained herein are the property of ICE-O-MATIC and are not to be reproduced without the written consent of ICE-O-MATIC.

**ICE-O-MATIC**

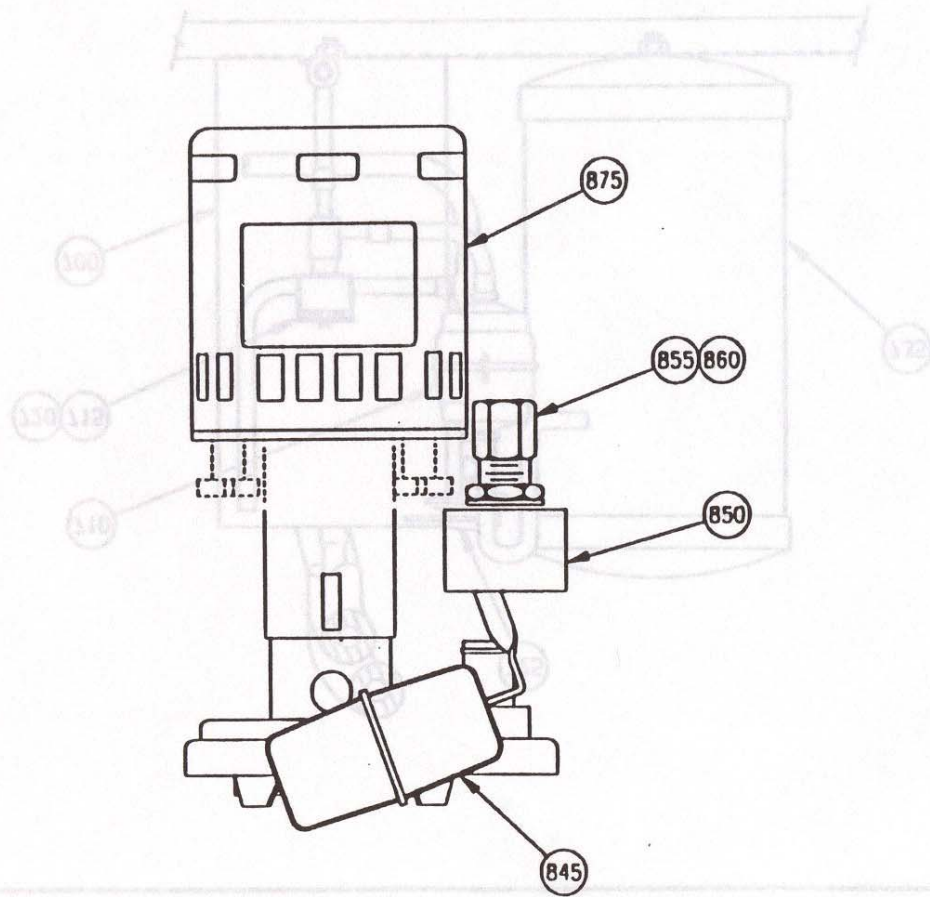
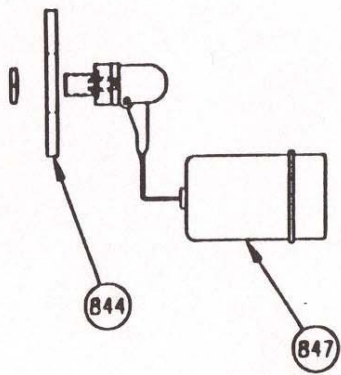


FRONT VIEW

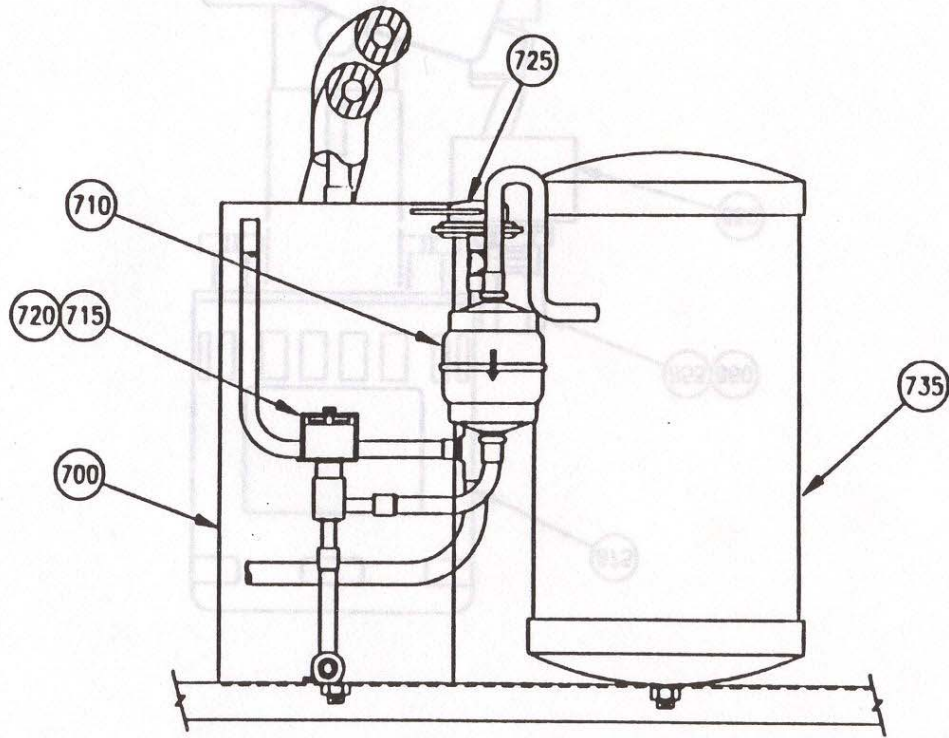
RIGHT SIDE VIEW

CONTROL BOX ASSEMBLY

<p>GROUP 1 - SECURITY INFORMATION</p> <p>RESTRICTED DISPOSITION SECURITY</p> <p>This drawing and all information on it is classified as RESTRICTED DISPOSITION SECURITY. It is to be controlled, stored, handled, transmitted, disseminated, and disposed of in accordance with the provisions of the Atomic Energy Act of 1954 and the Atomic Energy Regulations promulgated thereunder.</p>	<p><b>ICE MATIC</b></p> <p>CONTROL BOX ASSEMBLY</p>
---	---



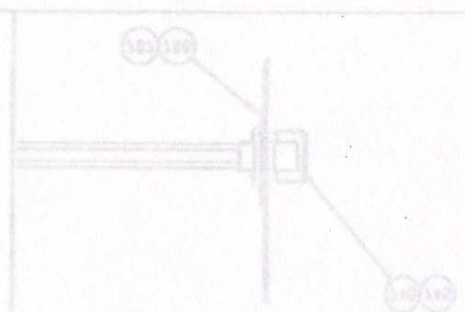
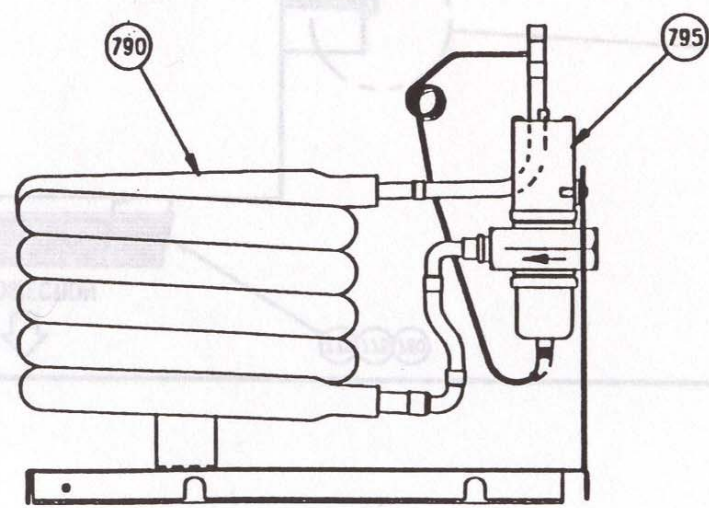
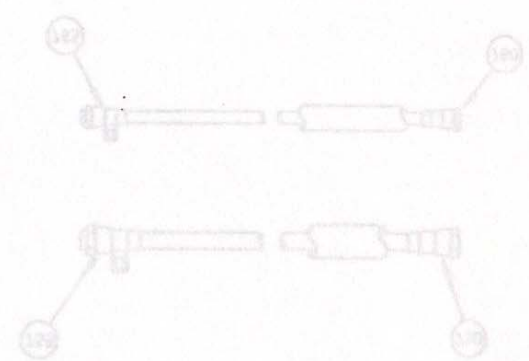
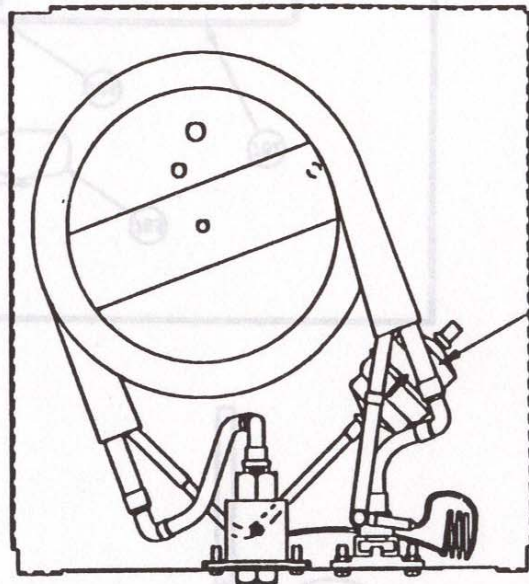




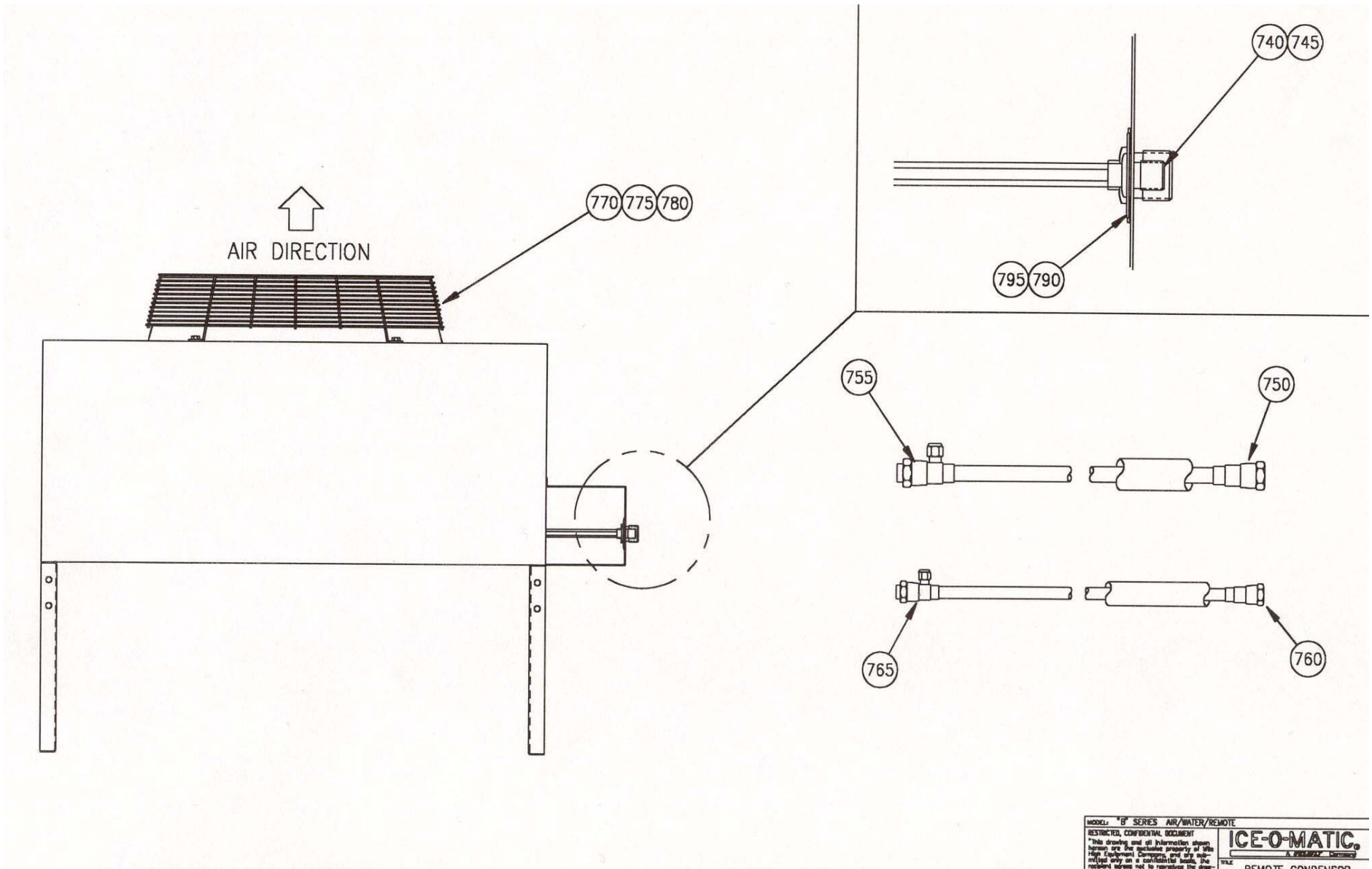
MODEL 7 SERIES AIR/WATER/FRUIT  
 RESTRICTED COPYRIGHT REMOVED  
 This drawing and all information thereon  
 are the property of the  
 manufacturer and are not to be  
 reproduced or transmitted in any form  
 or by any means, electronic, mechanical,  
 photocopying, recording, or by any  
 information storage and retrieval system,  
 without the prior written permission  
 of the manufacturer.

**ICE-O-MATIC**

REMOTE RECEIVER  
ASSEMBLY

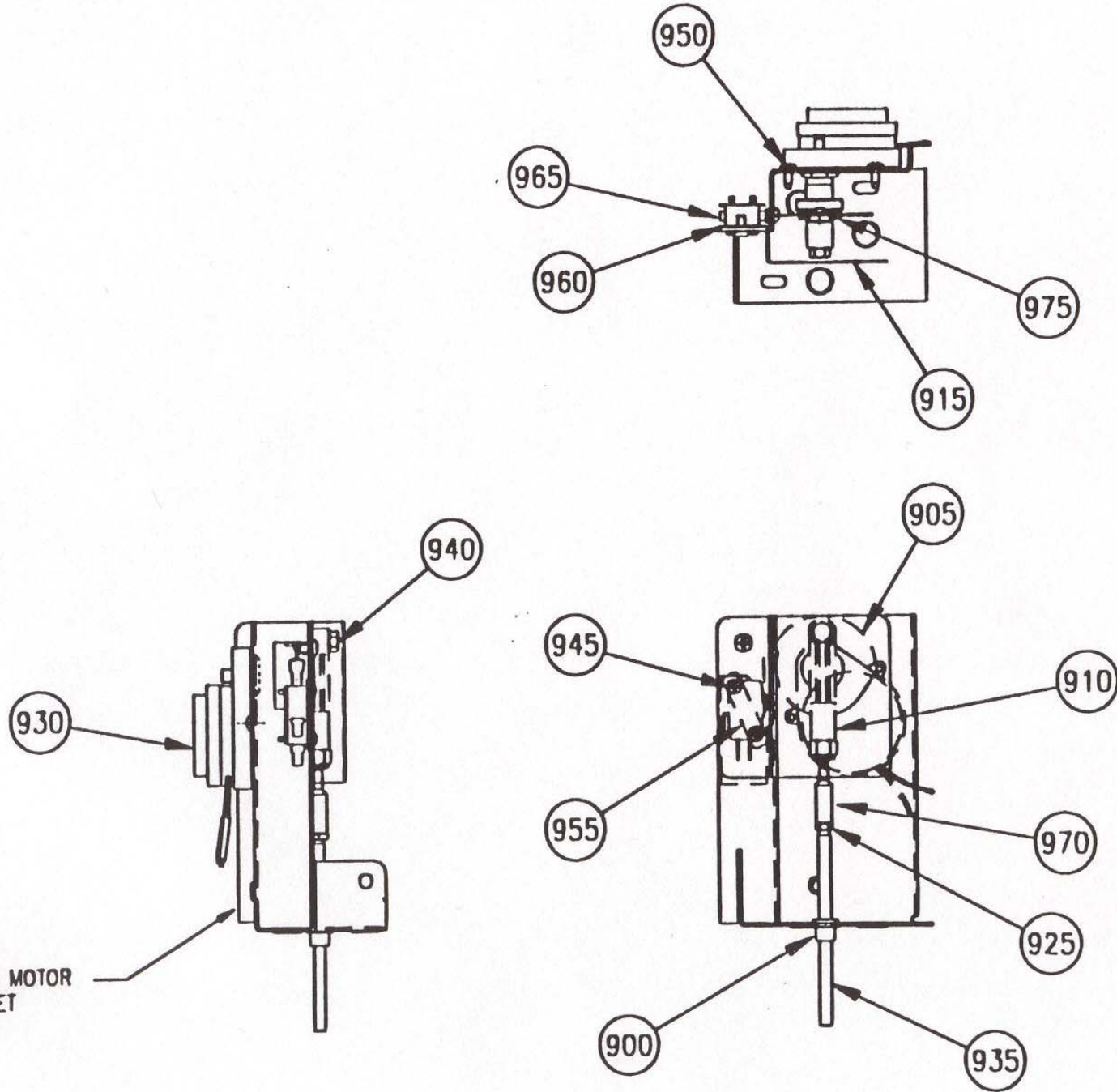


**ICE-O-MATIC**  
 WCOND  
 ASSEMBLY



MODEL "O" SERIES AIR/WATER/REMOTE  
 RESTRICTED, CONFIDENTIAL DOCUMENT  
 "This drawing and all information shown hereon are the exclusive property of the High Challenge Company, and are not to be used, copied, or reproduced in any manner without the express written consent of the High Challenge Company."  
**ICE-O-MATIC**  
 A PERMAPLAST COMPANY  
 REMOTE CONDENSOR

PROBE MOTOR  
BRACKET



HARVEST PROBE ASSEMBLY