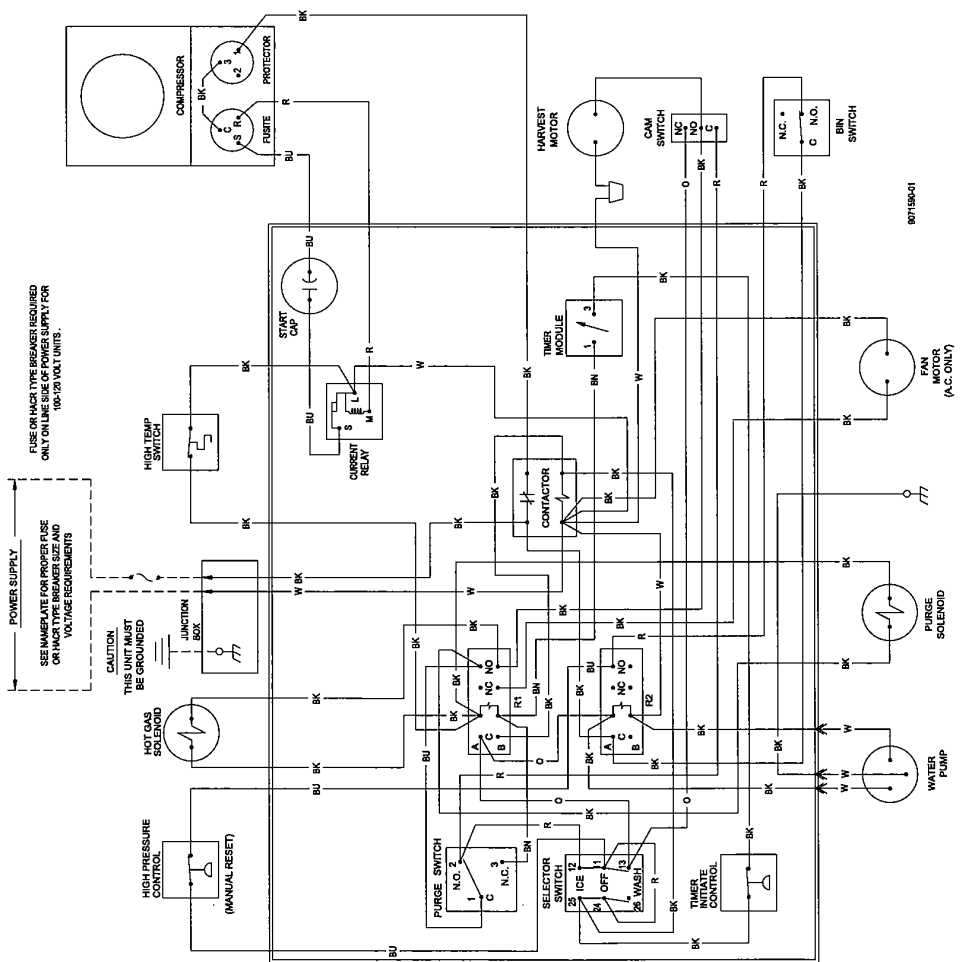
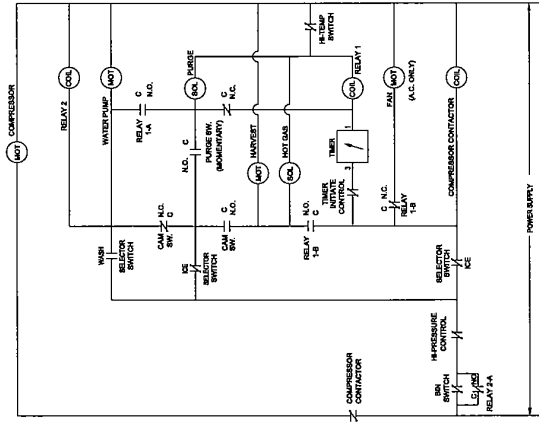


C40 Air and Water

WIRING SCHEMATIC
AIR & WATER

(SHOWN IN TIMED PORTION FREEZE CYCLE)



POWER SUPPLY
SEE NAMEPLATE FOR PROPER FUSE
OR HACR TYPE BREAKER SIZE AND
VOLTAGE REQUIREMENTS

CAUTION
THIS UNIT MUST
BE GROUND

HOT GAS
SOLUTION

HIGH PRESSURE
(MANUAL RESET)

JUNCTION
BOX

HIGH TEMP
SWITCH

START
CAP

CURRENT
RELAY

COMPRESSOR
PROTECTOR

FUSE

RELAY

WATER PUMP

FAN MOTOR
(A.C. ONLY)

WATER PUMP

PURGE SOLENOID

TIMER CONTROL

SELECTOR SWITCH

TIMER CONTROL

CAM SWITCH

HARVEST MOTOR

CONTACTOR

RELAY

RELAY

RELAY

RELAY

RELAY