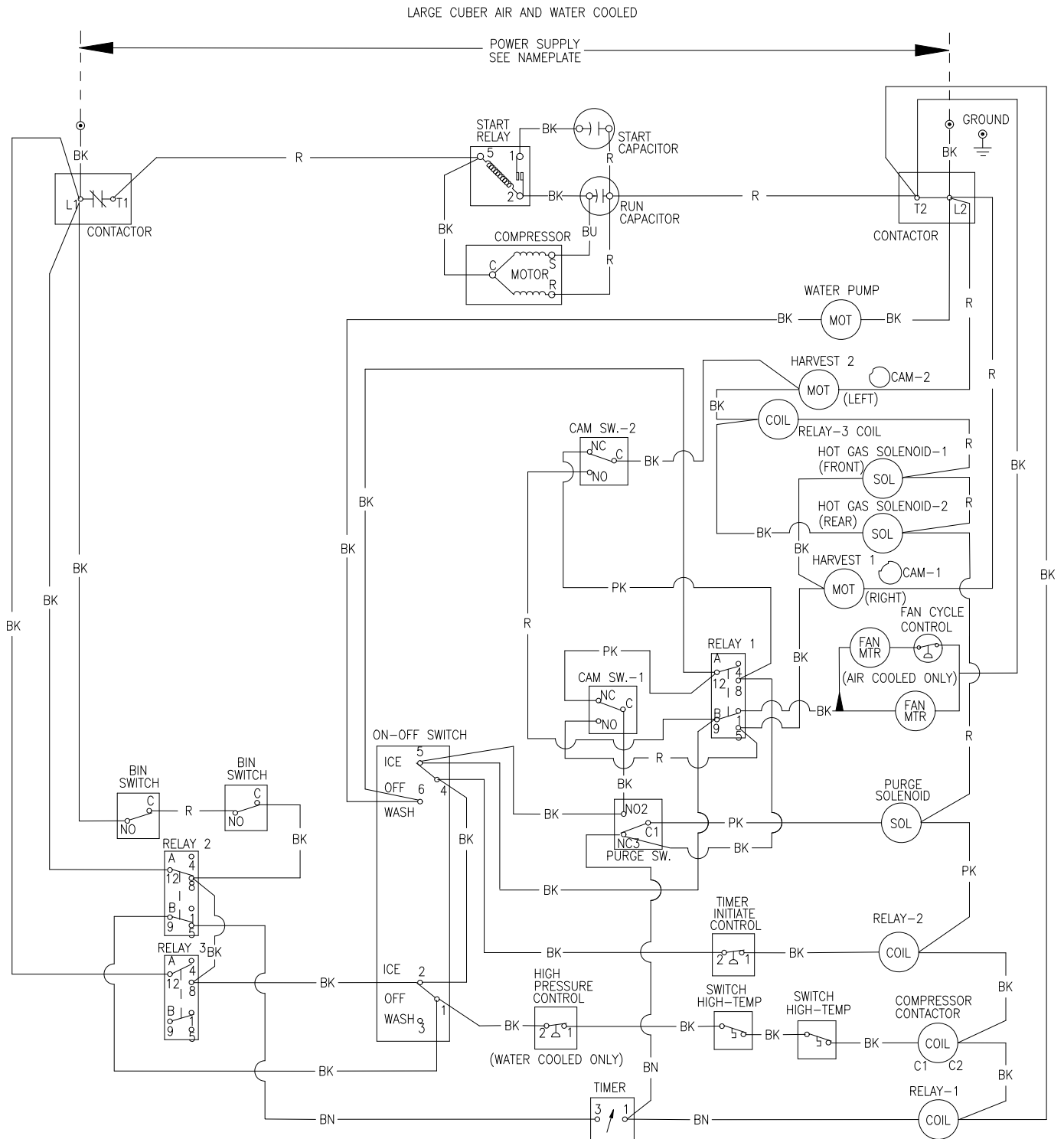


ICEU305AW Wiring Diagram From Serial Number 10041280011405



ICEU305 A/W Wiring Schematic From Serial Number 10041280011405

