



**SERVICE PARTS MANUAL**  
**The ICE Series Undercounter Cubers**  
**MODEL-ICEU150 A4,A5,A6,A7,A8-W4,W5,W6, W7**  
**ICEU220 A2,A3,A4,-W2,W3,W4,A5,A6,A7**  
**ICEU225 A2,A3,A4-W2,W3,W4 ICEU226 A2,A3-W2,W3**



14-1016

Date 09/17/2021



This parts list contains the service parts available for the following ICE Undercounter icemakers:

**ICEU150A4,A5,A6,A7-W4,W5,W6, W7**

**ICEU220A2,A3,A4-W2,W3,W4**

**ICEU225A2,A3,A4-W2,W3,W4**

**ICEU226A2,A3-W2,W3**

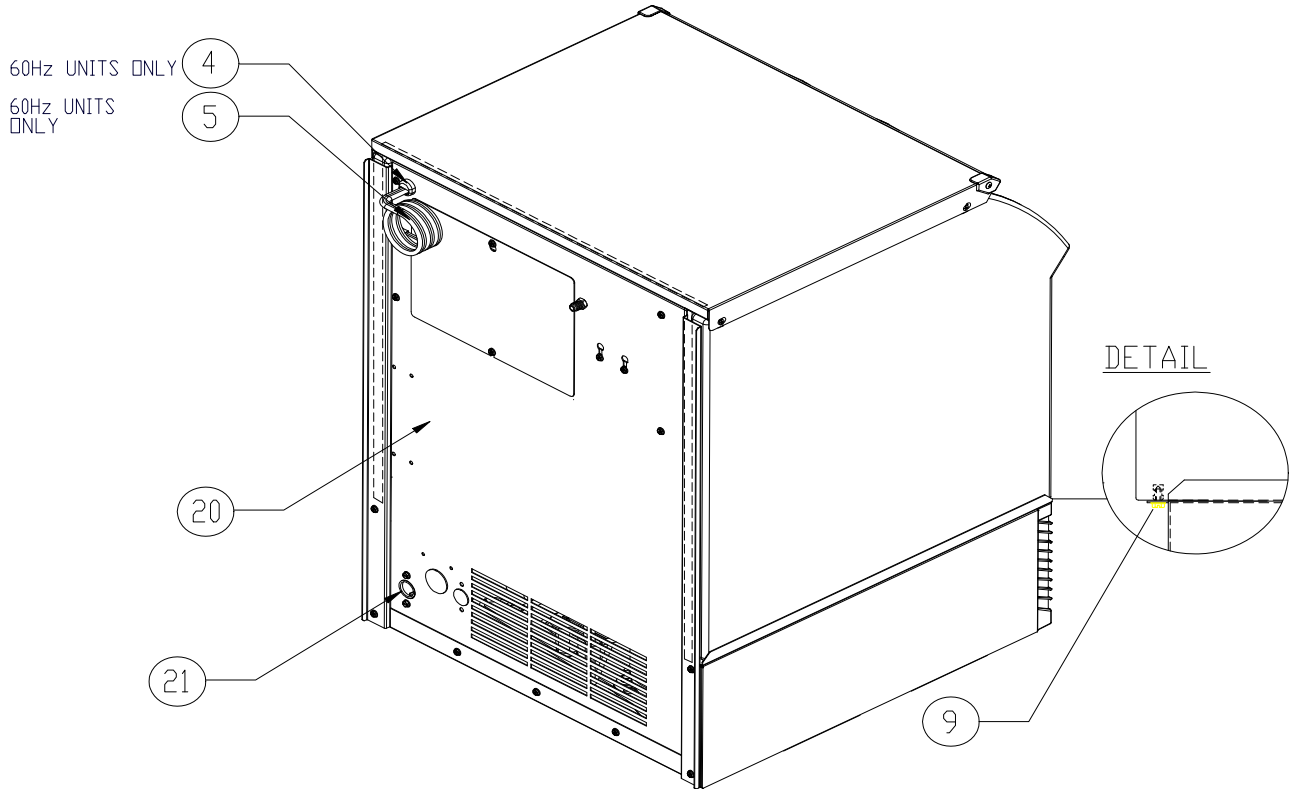
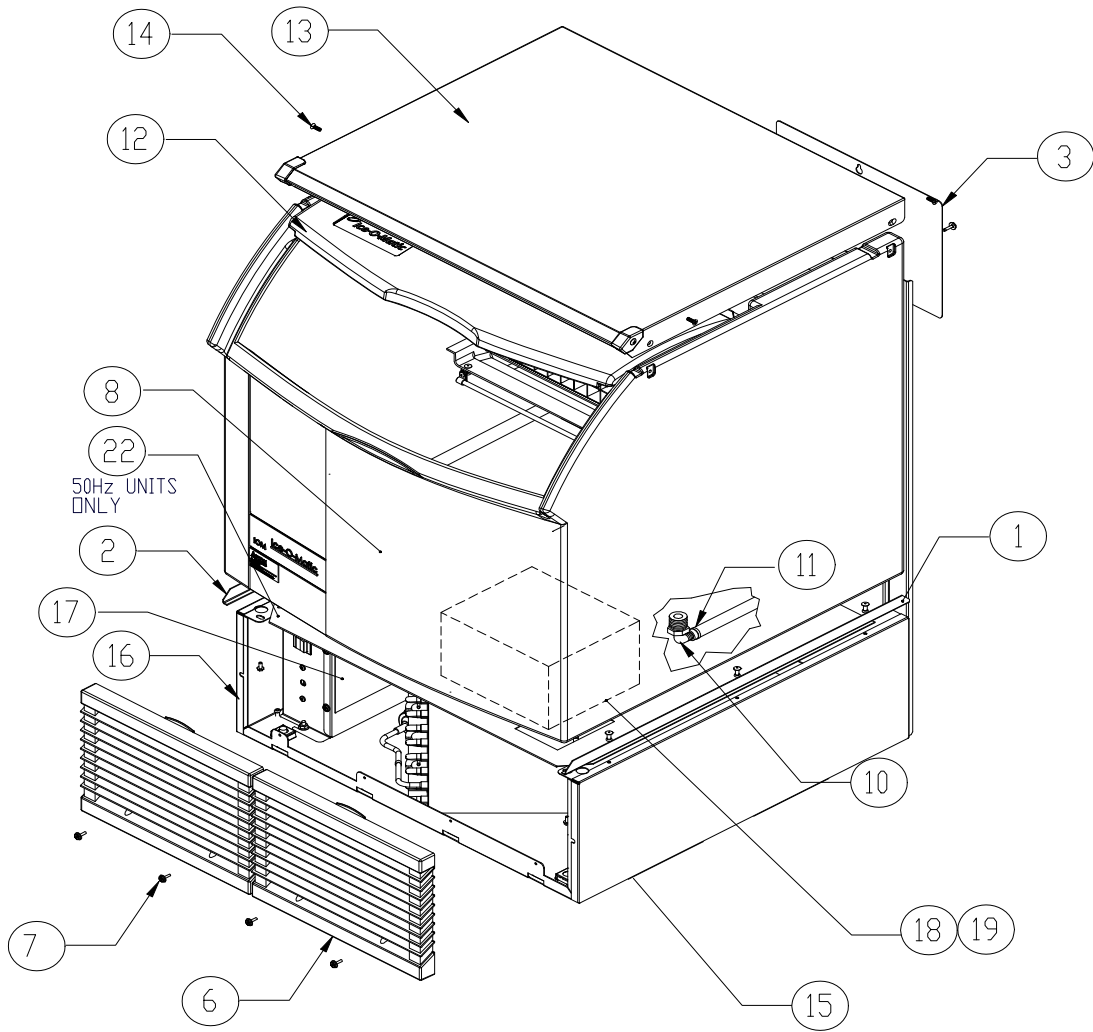
Check the model number on the data plate and refer to the correct listing for the specific component.

Check carefully that the correct part is identified and ordered.

Table of Contents	Page 1
Bin and Exterior Components	Page 2 - 3
Refrigeration System	Page 4 - 5
Harvest Assist Assembly	Page 6
Control Box	Page 7
Evaporator	Page 8
Water Pump	Page 9
Compressor Part Numbers	Page 10-11
Drain Tubing	Page 12

Ice-O-Matic  
11100 East 45th Ave.  
Denver Co. 80239  
800-423-3367

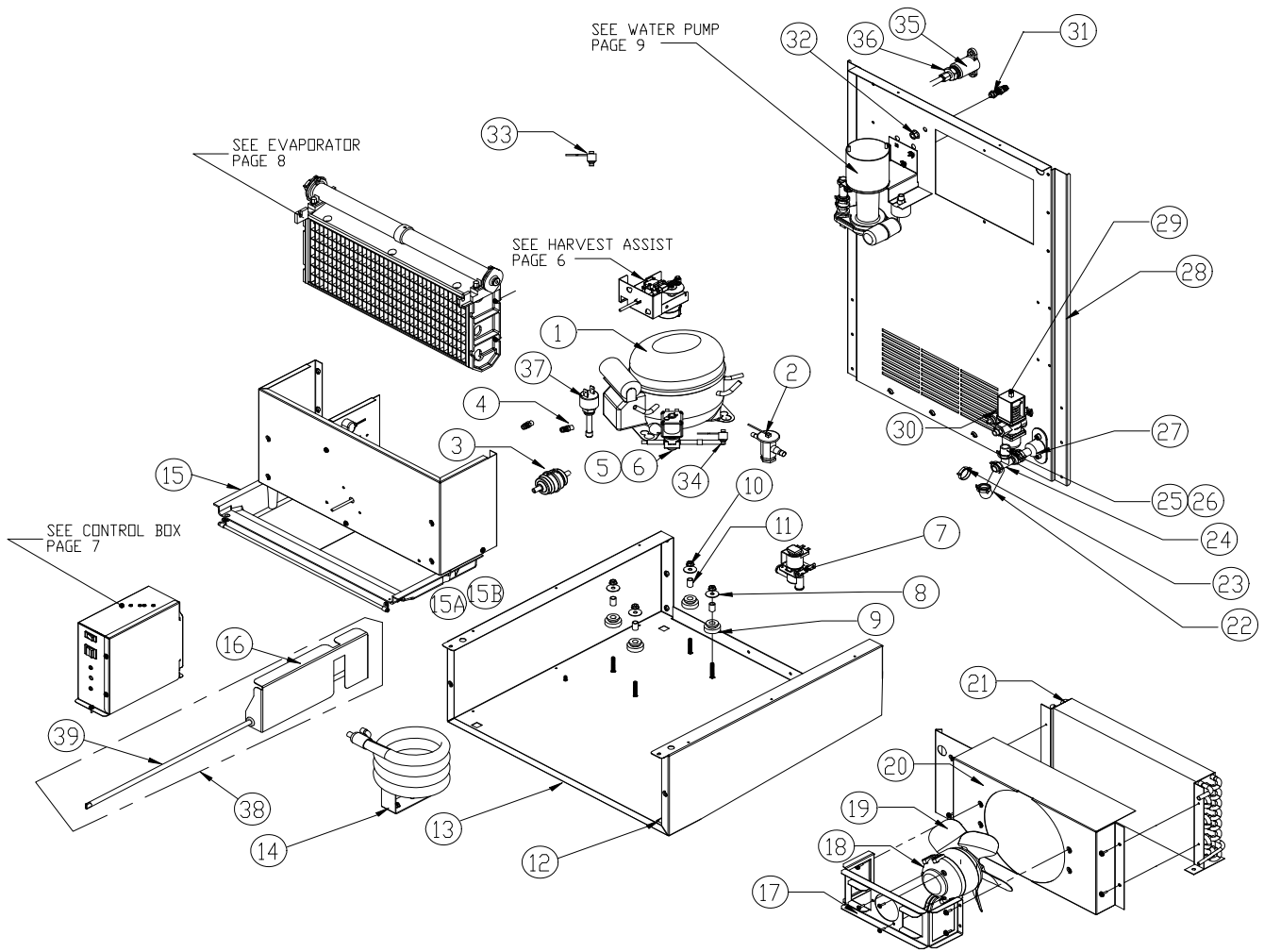
The ICE Series Service Manual is available separately, Part Number 9081270-01



## ICE Undercounter Service Parts

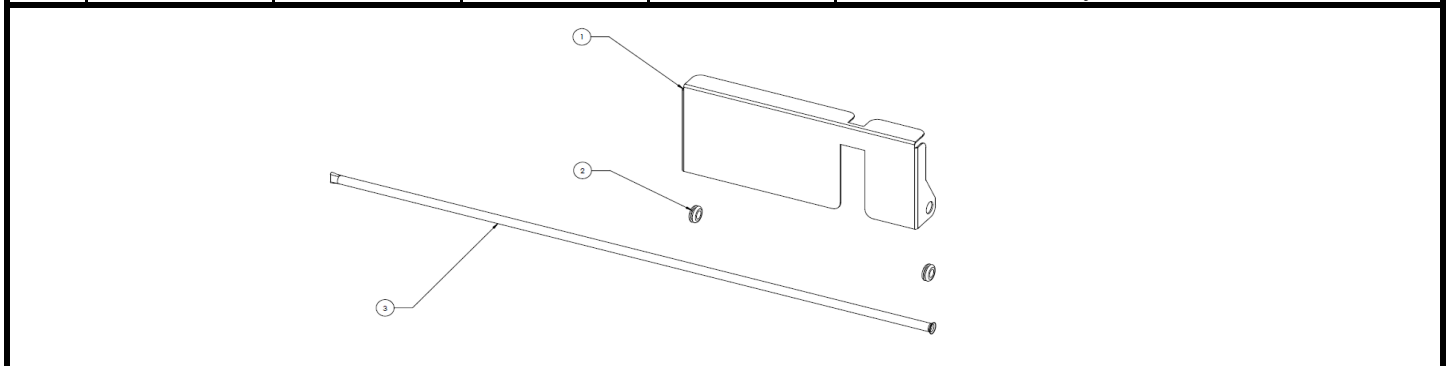
## Bin and Exterior Components

Item	ICEU150	ICEU220	ICEU225	ICEU226	Description
1	3021875-01	3021875-01	3021875-01	3021875-01	Trim Strip RH
2	3021875-02	3021875-02	3021875-02	3021875-02	Trim Strip LH
3	3012149-01	3012149-01	3012149-01	3012149-01	Panel, Rear Access
4	9121015-04	9121015-04	9121015-04	9121015-04	Strain Relief
5	9101242-01	9101242-01	Not Available	Not Available	Power Cord (ICEU225 and 226, Power Cord field supplied)
6	9051530-01	9051530-01	9051530-01	9051530-01	Front Grill (2 required, sold each)
7	9031046-03	9031046-03	9031046-03	9031046-03	Front Grill Screw
8	2101419-01	2101419-01	2101419-01	2101419-01	Bin Assembly (Includes Item 10)
9	9031112-01	9031112-01	9031112-01	9031112-01	Screw Hex Head
10	9091122-03	9091122-03	9091122-03	9091122-03	Drain Elbow 9091122-02 is NLA
11	9021010-04	9021010-04	9021010-04	9021010-04	Clamp
12	2101417-01	2101417-01	2101417-01	2101417-01	Bin Door Assembly
	9051534-01	9051534-01	9051534-01	9051534-01	Bin Door
	9031122-03	9031122-03	9031122-03	9031122-03	Thumb Screw
	3013249-01	3013249-01	3013249-01	3013249-01	Door Stop
13	2101426-01	2101426-01	2101426-01	2101426-01	Bin Top Assembly
	9051573-02	9051573-02	9051573-02	9051573-02	Plastic Corner Cap Left Side
	9051573-01	9051573-01	9051573-01	9051573-01	Plastic Corner Cap Right Side
	9031098-02	9031098-02	9031098-02	9031098-02	Truss Head Sheet Metal Screw-Plastic Corner
14	9031023-10	9031023-10	9031023-10	9031023-10	Top Panel Screw
15	3021874-01	3021874-01	3021874-01	3021874-01	Right Side Panel
16	3021874-01	3021874-01	3021874-01	3021874-01	Left Side Panel
17	3013161-01	3013161-01	3013161-01	3013161-01	Control Box Cover
18	9021001-04	9021001-04	9021001-04	9021001-04	Leg Set (4 each)
19	9051127-02	9051127-02	9051127-02	9051127-02	Ice Scoop
20	2021675-01	2021675-01	2021675-01	2021675-01	Rear Panel
21	9091140-01	9091140-01	9091140-01	9091140-01	Drain Fitting
22	N/A	N/A	3013319-01	N/A	Cover Base Panel
24	9031162-01	9031162-01	9031162-01	9031162-01	Thumb Nut Three Prong



Item	ICEU150	ICEU220	ICEU225	ICEU226	Description
<b>Reference Page 10 for Compressor Part Numbers</b>					

<b>Specific to the Bin Control Bracket</b>					
Item	ICEU150	ICEU220	ICEU225	ICEU226	Description
1	3013424-01	3013424-01	3013424-01	3013424-01	Bracket
2	9051002-16	9051002-16	9051002-16	9051002-16	Grommets
3	3032819-01	3032819-01	3032819-01	3032819-01	Tube, Bin Control
	2021703-01	2021703-01	2021703-01	2021703-01	Bin Stat Bracket Assy



Item	ICEU150	ICEU220	ICEU225	ICEU226	Description
2	9151156-101	9151156-101	9151156-101	9151156-101	Expansion Valve-Danfoss
3	9151163-01	9151163-01	9151163-01	9151163-01	Drier (Replaces 9151004-02)
4	9091086-02	9091086-02	9091086-02	9091086-02	Service Valve Core
	9091086-03	9091086-03	9091086-03	9091086-03	Service Valve Cap
5	9151123-06	9151123-06	9151123-06	9151123-06	Hot Gas Valve Body
6	9151123-03	9151123-03	9151123-04	9151123-04	Hot Gas Valve Coil
7	9041105-04	9041105-04	9041105-05	9041105-05	Purge Valve (Replaces 9041086 Purge Valve)
8	9031004-02	9031004-02	9031004-02	9031004-02	Flat Washer
9	9181002-10	9181002-10	9181002-10	9181002-10	Grommet
10	9031118-02	9031118-02	9031118-02	9031118-02	Lock Nut
11	9181002-11	9181002-11	9181002-11	9181002-11	Sleeve Compressor Mounting
12	9031012-02	9031012-02	9031012-02	9031012-02	Lock Nut (Leg)
13	2021673-01	2021673-01	2021673-01	2021673-01	Base Assembly
14	9141022-01	9141022-01	9141022-01	9141022-01	Water Condenser
	9091063-02	9091063-02	9091063-02	9091063-02	Condenser Water Out Fitting
15	2101151-01	2101151-01	2101151-01	2101151-01	Water Trough Assembly (With Brass Thermal Well)
15	9051149-02	9051149-02	9051149-02	9051149-02	Water Trough From SN11121280010581
15A	9031122-02	9031122-02	9031122-02	9031122-02	Water Trough Screws
15B	9031004-19	9031004-19	9031004-19	9031004-19	Rubber Washer
16	9031122-02	9031122-02	9031122-02	9031122-02	Water Trough Screws
17	3013250-01	3013250-01	3013250-01	3013250-01	Fan Bracket
18	9161028-01	9161112-01	9161112-02	9161112-02	Fan Motor
18	9161112-01				Fan Motor (From Serial Number 12061280012536)
19	9131446-01	9131446-01	9131446-01	9131446-01	Fan Blade
20	3013254-01	3013254-01	3013254-01	3013254-01	Fan Shroud
21	9141126-01	9141126-01	9141126-01	9141126-01	Air Condenser
22	9051280-08	9051280-08	9051280-08	9051280-08	Purge Drain Tube
23	9021010-05	9021010-05	9021010-05	9021010-05	Hose Clamp
24	9091024-01	9091024-01	9091024-01	9091024-01	Barbed Tee
25	3051222-20	3051222-20	3051222-20	3051222-20	Tubing 9/16 x 20 Inches Long
26	9021010-04	9021010-04	9021010-04	9021010-04	Hose Clamp
27	9091140-01	9091140-01	9091140-01	9091140-01	Drain Adapter
28	2021675-01	2021675-01	2021675-01	2021675-01	Rear Panel
29	9041059-01	9041059-01	9041059-01	9041059-01	Water Regulator
30	9091063-02	9091063-02	9091063-02	9091063-02	Drop Adapter Fitting
31	9091135-01	9091135-01	9091135-01	9091135-01	Water inlet Fitting
32	9031118-05	9031118-05	9031118-05	9031118-05	Flanged Lock Nut
33	9041087-03	9041087-03	9041087-03	9041087-03	High Temperature Safety Control (Suction Line 120°F)
34	9041117-02	9041117-02	9041117-02	9041117-02	High Temp Safety Control-From SN 10041280011405
35	9091074-01	9091074-01	9091074-01	9091074-01	Drop Adapter Fitting-From SN 10041280011405
36	9091083-01	9091083-01	9091083-01	9091083-01	Water Inlet Body* -From SN 10041280011405
	9091083-03	9091083-03	9091083-03	9091083-03	Water Inlet Nut** -From SN 10041280011405
37	9041111-01	9041111-01	9041111-01	9041111-01	High Pressure Control-From SN 10041280011405-9041091-01=Obs
38	2021703-01	2021703-01	2021703-01	2021703-01	Bin Stat Bracket Assy, From SN11121280010581
39	3032819-01	3032819-01	3032819-01	3032819-01	Tube, Bin Control, From SN1112180010581
	9091179-02	9091179-02	9091179-02	9091179-02	Hot Gas Valve Restrictor (Not Shown)

\*Note 9091083-01 is the Water Inlet Body Only, it DOES NOT include 9091083-03 Nut

\*\*Note 9091083-03 is the Nut Only, it DOES NOT include the 9091083-01 Water Inlet Body

Reference the Model Number below for the specific Harvest Assist Assembly

Item	ICEU150	ICEU220	ICEU225	ICEU226	Description
	1051210-05B*	1051210-05B*	1051210-07B*	1051210-07B*	Harvest Assist Assembly - 60 Degree Clutch
	2061962-05S*	2061962-05S*	2061962-07S*	2061962-07S*	No Longer Available
	1051210-01B**	1051210-01B**	1051210-02B**	1051210-02B**	Harvest Assist Assembly - See Note Below
	2061962-01S**	2061962-01S**	2061962-02S**	2061962-02S**	No Longer Available

\*Note, Prior to November of 2012 (SN1211)

\*\*Note, From November 2012 (SN1211)

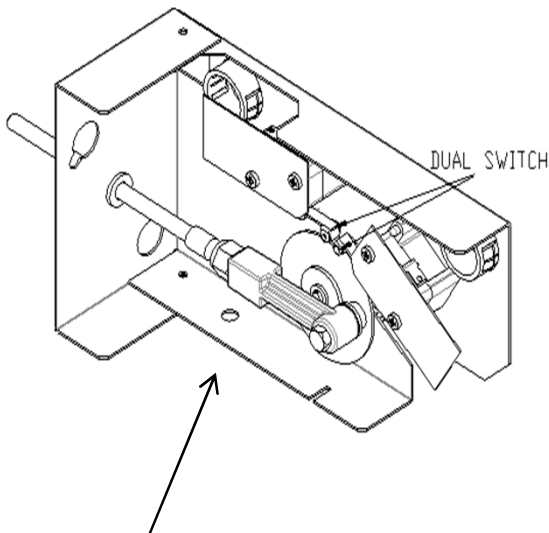


- The **1051210-XXA** assembly will fit all ICE Models from October 1999 and EC Models.
- Units installed with a double cam switch, either Field installed or Factory installed will require the complete assembly and a potential wiring change as per the New Wiring Diagram included with the assembly.
- Individual component parts are not available for the **1051210-XXA** assembly.
- Individual component parts are No Longer Available for previous version of the Harvest Assist Assembly
- Parts for the **2061962-XX** Harvest Assist Assembly are not compatible with **1051210-XXA** Harvest Assist Assembly.
- Proper assembly and alignment of the parts is critical to proper operation, this includes cam and probe alignment.

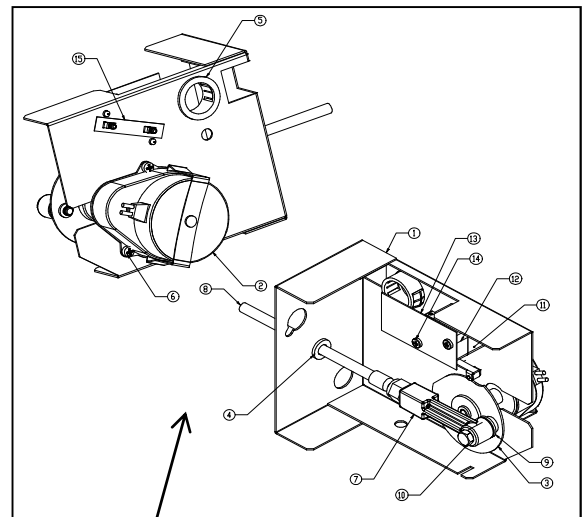
**1051210-XXA are only supplied as complete assemblies, individual components are not available.**

Please reference the above Model Numbers to insure the correct assembly is supplied

**THE DUAL CAM SWITCH HARVEST ASSIST ASSEMBLIES ARE NO LONGER AVAILABLE**

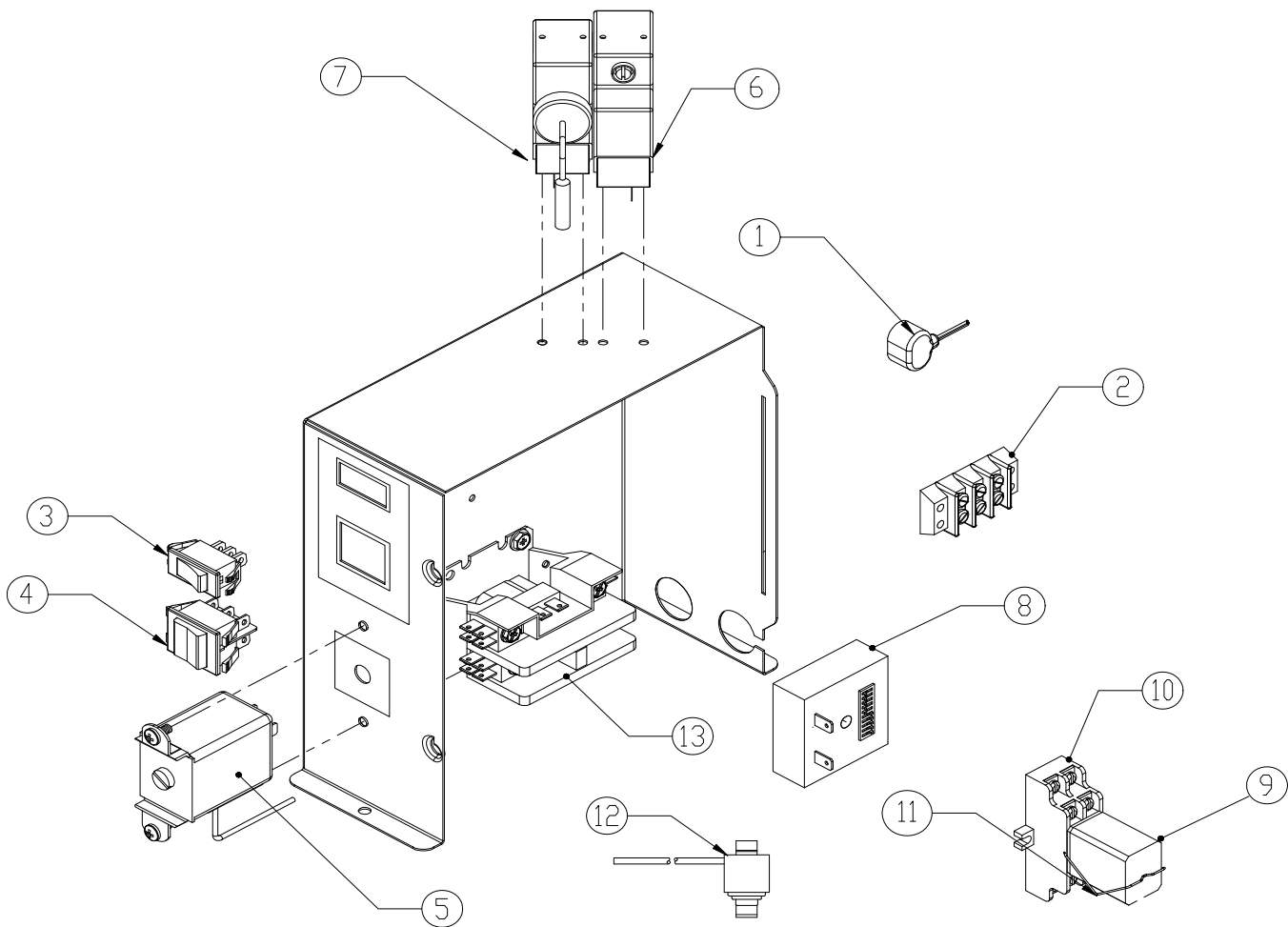


1051199-01 No Longer Available
1051200-01 No Longer Available
1051201-01 No Longer Available
1051202-01 No Longer Available
1051207-01 No Longer Available



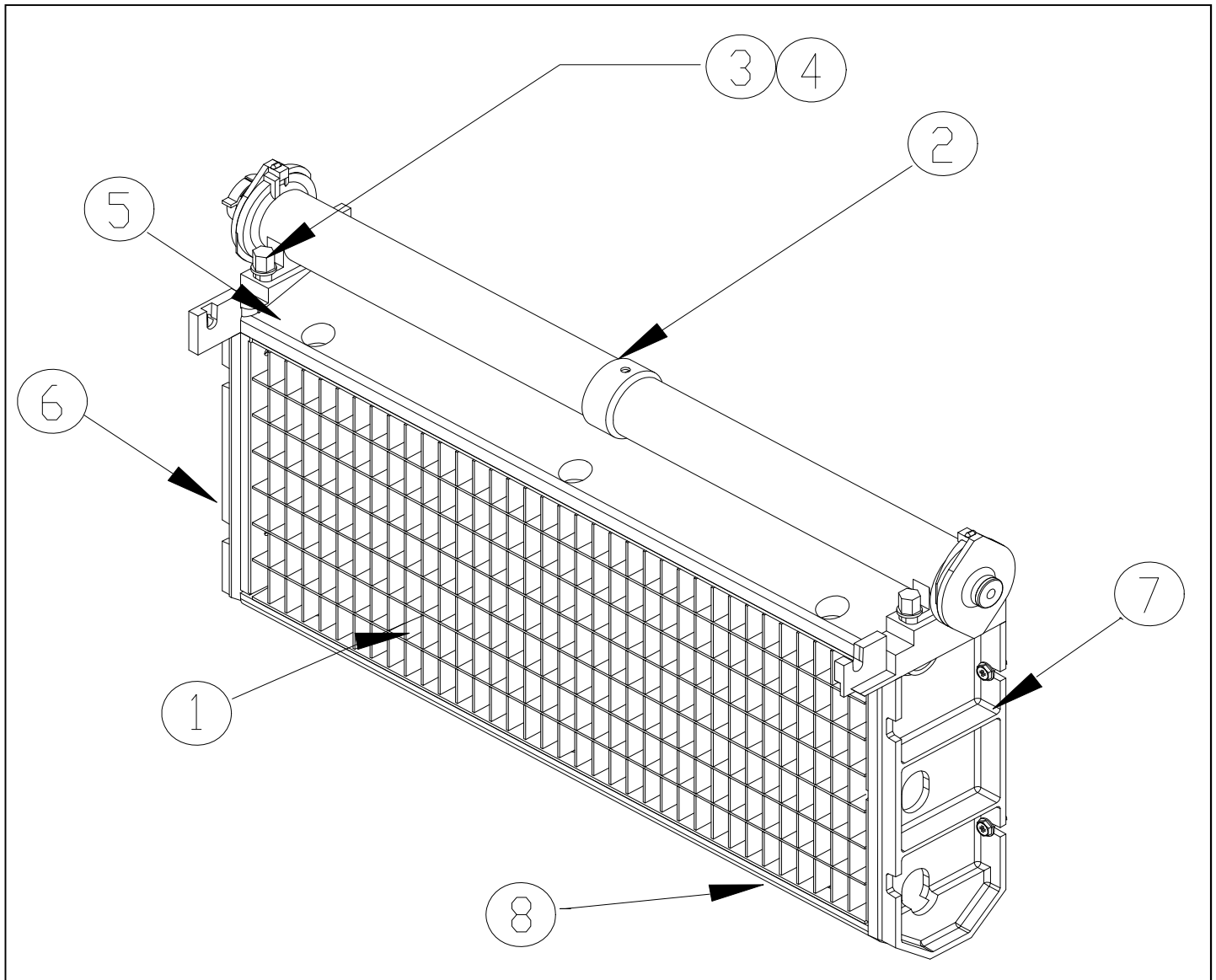
2061962-01S No Longer Available
2061962-05S No Longer Available
2061962-07S No Longer Available



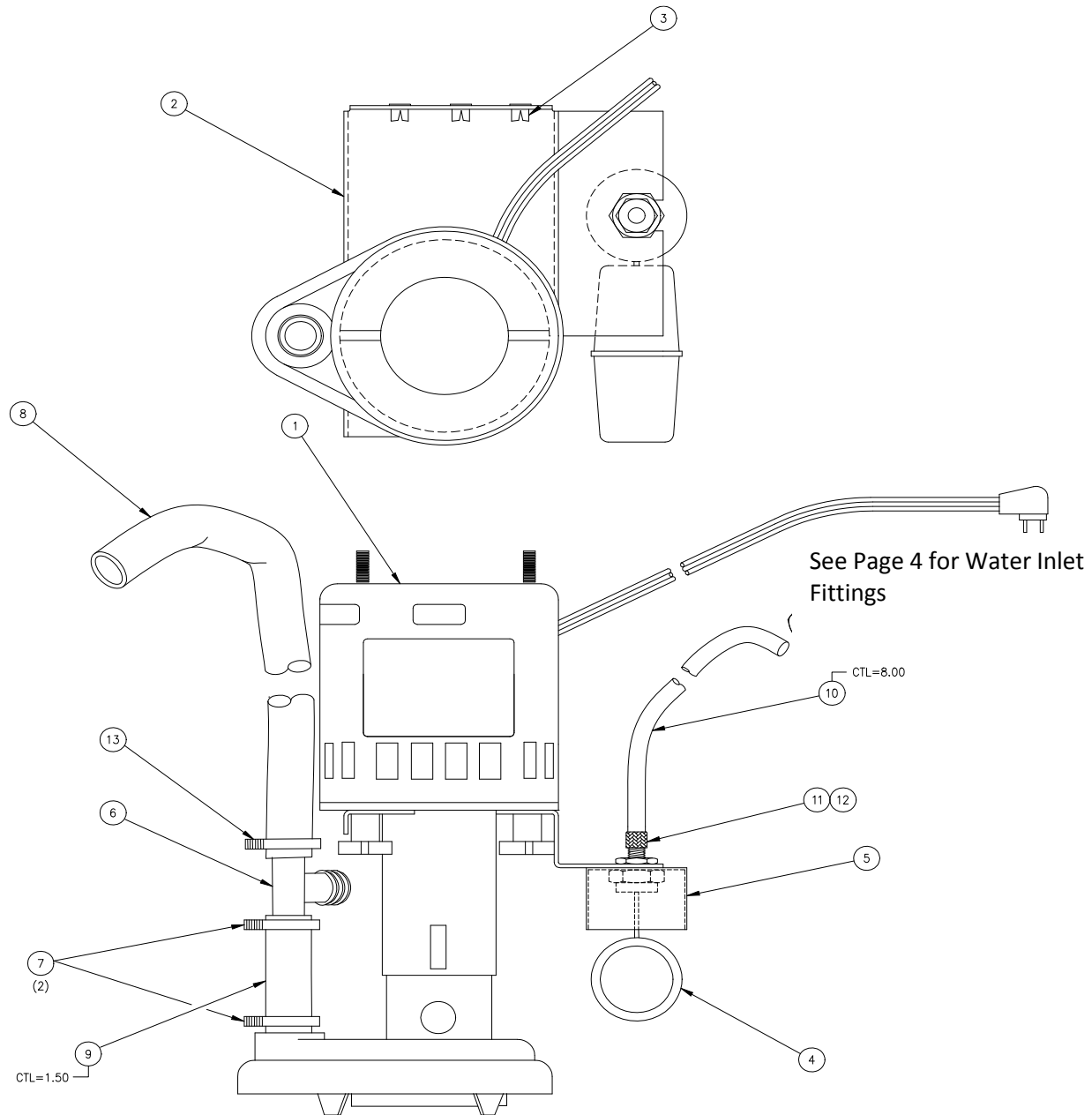


Item	ICEU150	ICEU220	ICEU225	ICEU226	Description
1	9101218-01	9101218-01	9101218-01	9101218-01	Water Pump Connector
2	9101037-01	9101037-01	9101037-01	9101037-01	Terminal Block
3	<b>1051208-01</b>	<b>1051208-01</b>	<b>1051208-01</b>	<b>1051208-01</b>	<b>Switch-Purge (Prior to SN1407 is NLA)</b>
3	<b>9101348-01</b>	<b>9101348-01</b>	<b>9101348-01</b>	<b>9101348-01</b>	<b>Switch-Purge (From SN1407 is NLA)</b>
3	<b>9101139-03</b>	<b>9101139-03</b>	<b>9101139-03</b>	<b>9101139-03</b>	<b>Switch-Purge</b>
4	<b>9101349-01</b>	<b>9101349-01</b>	<b>9101349-01</b>	<b>9101349-01</b>	<b>Ice/Off/Wash Switch ( NLA)</b>
4	<b>9101195-01</b>	<b>9101195-01</b>	<b>9101195-01</b>	<b>9101195-01</b>	<b>Ice/Off/Wash Switch</b>
5	9041097-01	9041097-01	9041097-01	9041097-01	Thermostat-Bin Control
6	<b>9041104-101A</b>	<b>9041104-101A</b>	<b>9041104-101A</b>	<b>9041104-101A</b>	<b>Low Pressure Control* (Replaces 9041094-01)</b>
7	9041095-01	9041095-01	9041095-01	9041095-01	High Pressure Control-When 9041095-01 is NLA-9041111-01
7	<b>9041111-01</b>	<b>9041111-01</b>	<b>9041111-01</b>	<b>9041111-01</b>	<b>High Pressure Control-From SN 10041280011405-9041091-01-Obs</b>
8	9101148-01	9101148-01	9101148-01	9101148-01	Timing Module
9	9101084-01	9101084-01	9101084-02	9101084-02	Relay
10	9101083-01	9101083-01	9101083-01	9101083-01	Socket-Relay
11	9101083-02	9101083-02	9101083-02	9101083-02	Hold Down Spring - Relay
12	9041087-03	9041087-03	9041087-03	9041087-03	High Temperature Safety Control (Suction Line Mtg)
12	9041098-01	9041098-01	9041098-01	9041098-01	High Temp Safety Control-From SN 10041280011405
13	9101002-07	9101002-07	9101002-06	9101002-06	Contactors-From SN 10041280011405

\*Note Includes Solvent and Adhesive



Item	ICEU150	ICEU220	ICEU225	ICEU226	Description
1	2051231-02S	2051231-02S	2051231-02S	2051231-02S	Evaporator-Half Cube (Shown)
1	2051231-01S	2051231-01S	2051231-01S	2051231-01S	Evaporator-Full Cube
2	2041338-01	2041338-01	2041338-01	2041338-01	Water Distribution Tube
3	9031122-01	9031122-01	9031122-01	9031122-01	Thumbscrew
4	9031004-19	9031004-19	9031004-19	9031004-19	Rubber Washer
5	9051135-05	9051135-05	9051135-05	9051135-05	Spillway
6	9051136-07	9051136-07	9051136-07	9051136-07	Left Side Evaporator Mounting Panel
7	9051136-08	9051136-08	9051136-08	9051136-08	Right Side Evaporator Mounting Panel
8	9051135-04	9051135-04	9051135-04	9051135-04	Water Return



Item	ICEU150	ICEU220	ICEU225	ICEU226	Description
1	9161076-01	9161076-01	9161076-02	9161076-02	Water Pump
2	3012847-01	3012847-01	3012847-01	3012847-01	Pump Bracket
3	9031141-01	9031141-01	9031141-01	9031141-01	Plastic Nut
4	9131111-101	9131111-101	9131111-101	9131111-101	Float <b>(9131111-101 Includes Fittings)*</b>
5	9131026-02	9131026-02	9131026-02	9131026-02	Cap Plug
6	9091024-01	9091024-01	9091024-01	9091024-01	Plastic Barbed Tee 5/8
7	9021010-04	9021010-04	9021010-04	9021010-04	Plastic Clamp
8	9051280-05	9051280-05	9051280-05	9051280-05	Hose PVC 9/16 (Formed)
9	6021015-04	6021015-04	6021015-04	6021015-04	Hose PVC 5/8 - 1.50 Inch Required
10	6021032-01	6021032-01	6021032-01	6021032-01	Tube-Polyethylene - 8 Inches Required
11	9091080-01	9091080-01	9091080-01	9091080-01	Barrel Fitting
12	9091081-01	9091081-01	9091081-01	9091081-01	Sleeve
13	9021010-03	9021010-03	9021010-03	9021010-03	Plastic Clamp

\*Note: The 9131111-01 is NLA, Replaced by 9131111-101 which includes fittings.

# ICE Undercounter Service Parts

# Compressors

To insure the correct compressor and starting componets are ordered, reference the machine model number and or serial number and compressor manufacture model.

Item	ICEU150	ICEU220	ICEU225	ICEU226	Description
1	See Below	See Below	See Page 11	See Below	Compressor (*Part Number Changed)
	ICEU150	ICEU220			Description
	A6 W6	A2, A3, W2, W3	← - - - - -	- - - - -	Reference the MODEL NUMBER
	9181115-12*	9181115-12*	← - - - - -	- - - - -	Compressor (ASE24C3E-IAA-201) NLA*
	9181005-38	9181005-38			Overload
	9181003-43	9181003-43			Start Capacitor
	9181004-24	9181004-24			Compressor Relay
	ICEU150				Description
	A5 W5		← - - - - -	- - - - -	Reference the MODEL NUMBER
	9181148-11**		← - - - - -	- - - - -	Compressor (ASE14C4E-IAA) NLA**
	9181005-45				Overload
	9181003-53				Start Capacitor
	9181004-30				Compressor Relay
	ICEU150				Description
	A4 W4		← - - - - -	- - - - -	Reference the MODEL NUMBER
	9181115-11**		← - - - - -	- - - - -	Compressor (ASB14CE-IAA) NLA**
	9181005-42				Overload
	9181003-43				Start Capacitor
	9181004-24				Compressor Relay
				ICEU226	Description
				9181115-14	Compressor
				9181005-41	Overload
				9181003-41	Start Capacitor
				9181004-28	Compressor Relay

\*NLA =No Longer Available when existing inventory is depleted. Replaced by 1051233-01 Compressor Kit.

\*\*NLA=No Longer Available, Replaced by 1051233-01 Kit, Includes Compressor, Tubing, Starting Components

The Compressor Part Number has changed for the ICEU150 and ICEU220 Modesl listed below					
	ICEU150	ICEU220			Description
	A4, A5, A6	A2,A3	← - - - - -	- - - - -	Reference the MODEL NUMBER
	W4, W5, W6	W2,W3	← - - - - -	- - - - -	Reference the MODEL NUMBER
	9181173-01	9181173-01			Overload
	9181175-01	9181175-01			Start Capacitor
	9181174-01	9181174-01			Compressor Relay
	9181171-11	9181171-11			Compressor (AE444OZ-AA1A) included in the 1051233-01 Kit
	1051233-01	1051233-01			Compressor Kit, Includes Compressor, Start Components, Drier and Tubing

The 9151115-12\*, 9181148-11 and 9181115-11 compressor is No Longer Available, it has been replace by the 1051233-01 kit.

The Compressor Part Number has changed for the ICEU150 and ICEU220 Models below					
	ICEU150	ICEU220			Description
	A7, W7	A4, W4	← - - - - -	- - - - -	Reference the MODEL NUMBER
	9181171-11	9181171-11			Compressor Kit (AE444OZ-AA1A)
	9181173-01	9181173-01			Overload
	9181175-01	9181175-01			Start Capacitor
	9181174-01	9181174-01			Compressor Relay

To insure the correct compressor and starting componets are ordered, reference the machine model number and or serial number and compressor manufacture model.

ICEU225	Description
9181115-13*	Compressor Kit (Copeland ASE24C3E-IAZ-301)
9181005-40	Overload
9181003-29	Start Capacitor
9181004-20	Compressor Relay

\*The 9151115-13 compressor is **No Longer Available**, it has been replace by the 1051232-01 kit.

The Compressor Part Number has changed for the ICEU225 Serial Number Specific  
From serial number 17121280010394 to and including 18011280012197

	9181115-14**	Compressor Kit (Copeland ASE24C3E-IAV-301)
	9181005-41	Overload
	9181003-41	Start Capacitor
	9181004-28	Compressor Relay

\*\*The 9181115-14 compressor should be replaced by the 1051232-01 kit.

The Compressor Part Number has changed for the ICEU225 and are Model Number Specific

	ICEU225 A4	Model Number
	ICEU225 W4	Model Number
	9181192-11	Compressor Kit (AE444OZ-FZ1A)
	9181173-03	Overload
	9181003-57	Start Capacitor
	9181174-03	Compressor Relay

The Compressor Part Number has changed for the ICEU225 Models listed below

	ICEU225*A2, ICEU225*A3 and ICEU225*W2 , ICEU225*W3	
	1051232-01	Compressor Kit (AE444OZ-FZ1A)
	9181173-03	Overload
	9181003-57	Start Capacitor
	9181174-03	Compressor Relay
	9181192-11	Compressor Part Number in 1051232-01 Kit (AE444OZ-FZ1A)

Item	ICEU150	ICEU220	ICEU225	ICEU226	Description
1	9051754-42	9051754-42	9051754-42	9051754-42	Water Pump to Purge Valve Inlet (42 Inches)
2	3051223-03	3051223-03	3051223-03	3051223-03	Drain Fitting to TEE (3 Inches)
3	3051222-18	3051222-18	3051222-18	3051222-18	Bin Drain to TEE (18 Inches)
4	9051280-08	9051280-08	9051280-08	9051280-08	Purge Drain Tube

