

Ice-O-Matic[®]

Ice. Pure and Simple[™]

SERVICE PARTS MANUAL ICE SERIES CUBERS MODEL-ICE1506R, R2, R3, R4 & R5 MODEL-ICE1506HT, T1 (Top Air Discharge)



14-1013

Date 3/15/17

ICE1506 Service Parts

This parts list contains the service parts available for the ICE1506 icemakers.

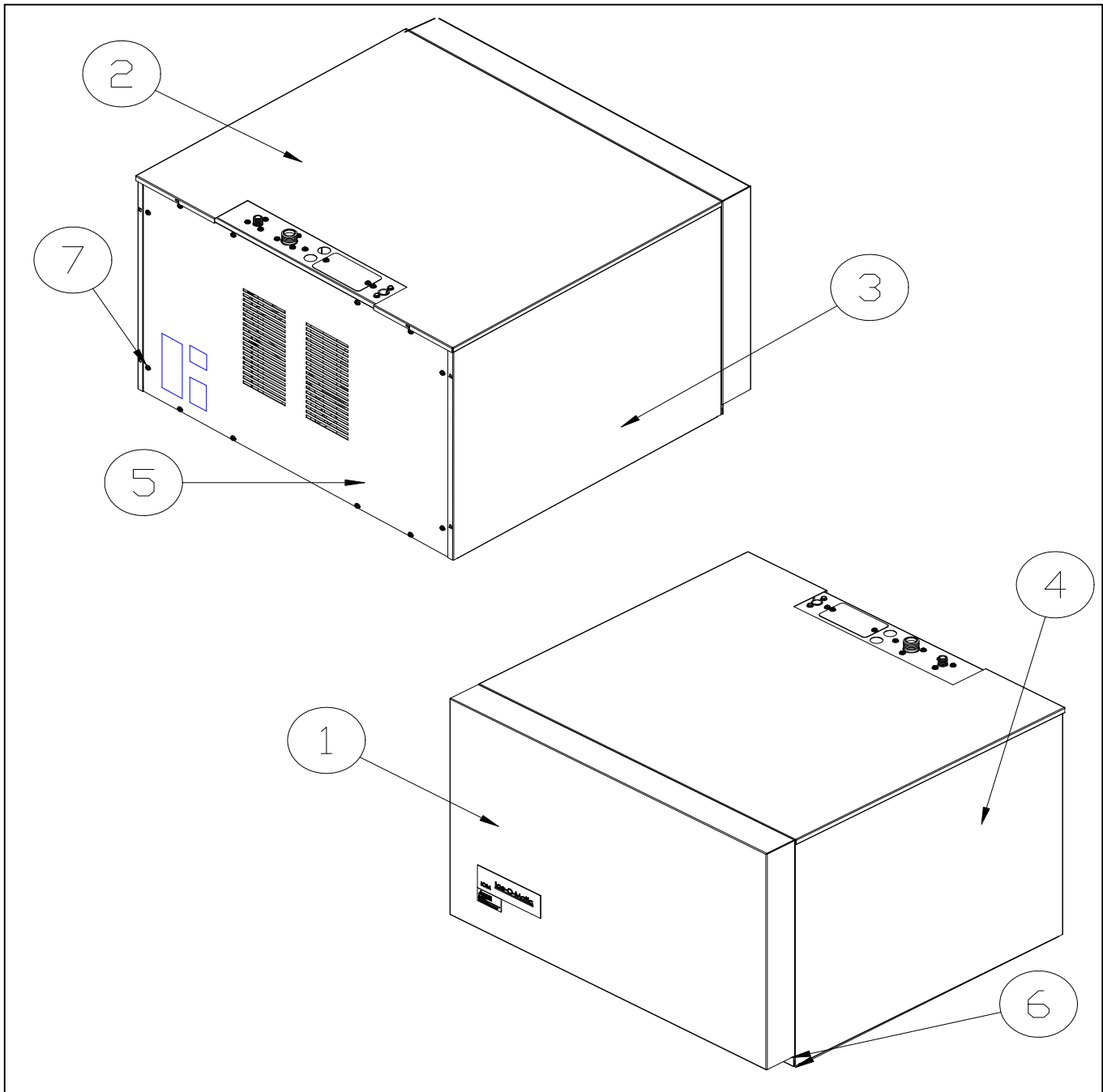
ICE1506R
ICE1506R2
ICE1506R3 From Serial Number 0801
ICE1506R4 From Serial Number 12021280011418
ICE1506R5 From Serial Number 15021280012575
ICE1506HT

Check the model number on the data plate and refer to the correct listing for the specific component.

Check carefully that the correct part is identified and ordered.

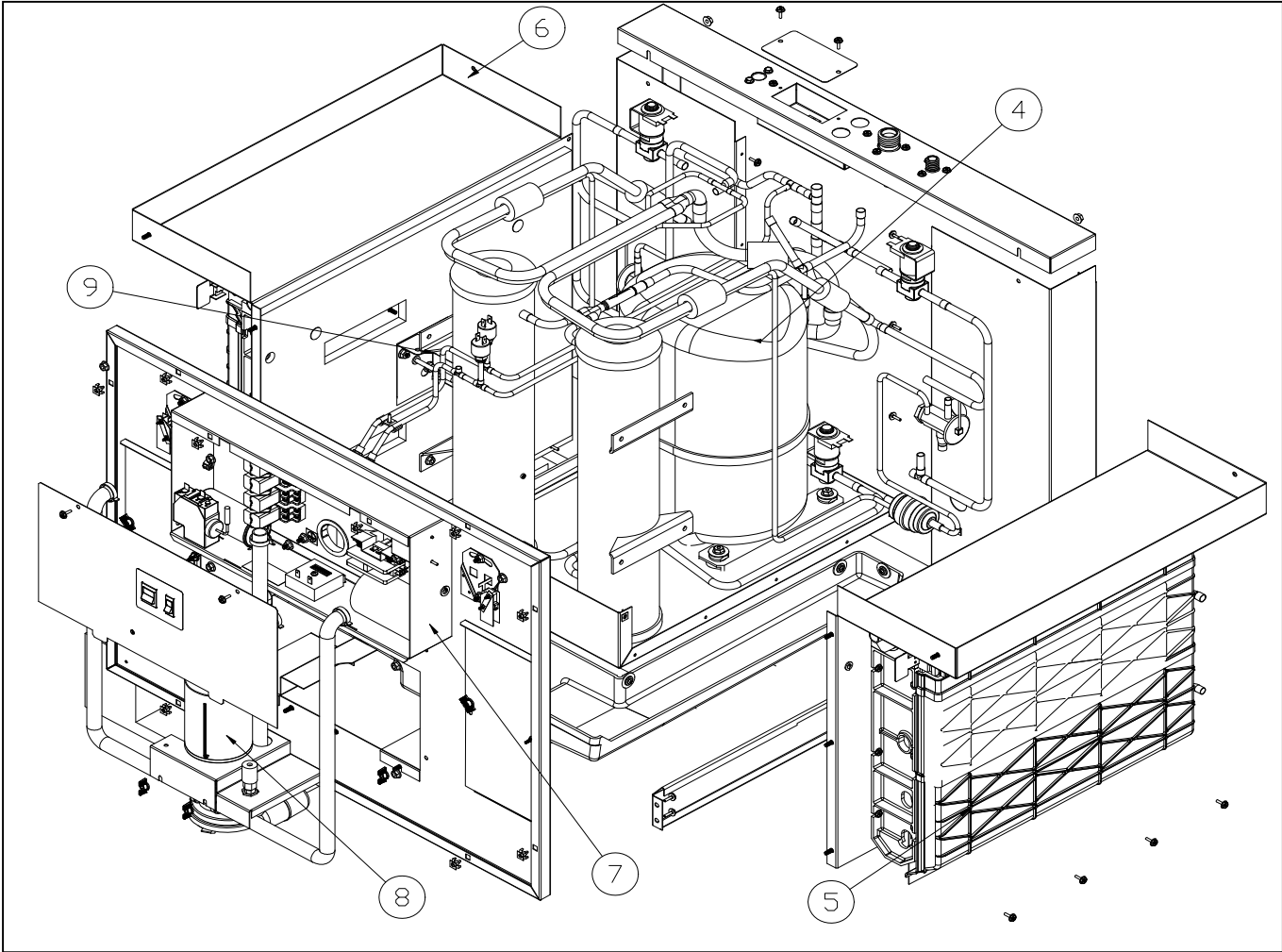
Table of Contents	Page 1
Cabinet Exterior Panels	Page 2
Cabinet Breakdown	Page 3
Refrigeration System	Page 4
Evaporator and Components (Right Side)	Page 5
Evaporator and Components (Left Side)	Page 6
Control Box and Bin Switch Assembly	Page 7
Water Pump/Float Assembly	Page 8
Harvest Probe Assembly	Page 9
Remote Condenser VRC2661	Page 10
Remote Condenser LRC2661	Page 12
Top Air Discharge Components	Page 13

Ice-O-Matic
11100 East 45th Ave.
Denver Co. 80239
800-423-3367



Item No.	Note: Rev= Model Revision	Part Number
	Description	
1	Front Panel	2031493-01S
	Front Panel Rev5	2031527-01S
	Front Panel Rev3 SN0801 & Rev4 SN1202	2031510-01S
2	Top Cover	3021872-01
	Top Cover Rev3 SN0801 & Rev4 SN1202	3021931-01
3	L.H Side Panel	2101363-02S
4	R.H Side Panel	2101363-01S
5	Back Panel	3021871-01
	Back Panel Rev3 SN0801 & Rev4 SN1202	3021920-01
6	Front Panel Screw	9031098-03
7	Rear Panel Screw	9031046-01

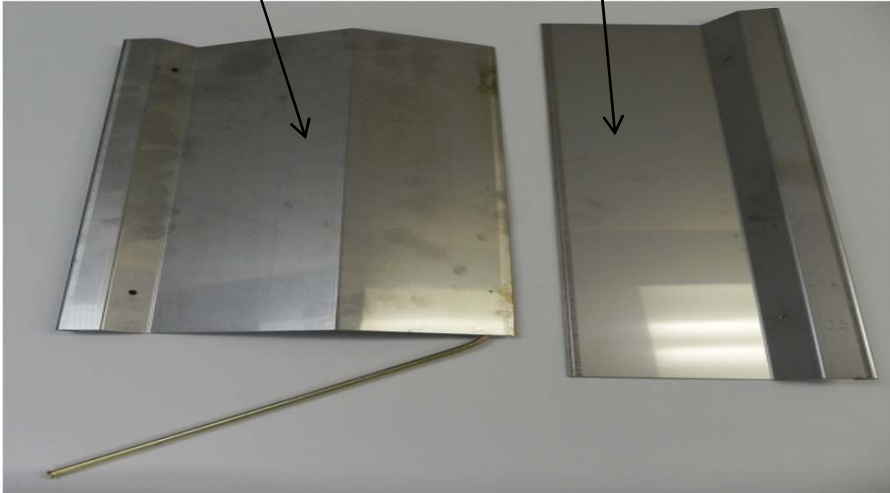
Item No.	ICE1506 HT	Part Number
	Description	
1	Front Panel	2031530-01S
2	Top Cover	3021988-01
3	L.H Side Panel	2031531-01S
4	R.H Side Panel	2031531-02S
5	Back Panel- UPPER	3021992-01
	Back Panel- LOWER	3021989-01



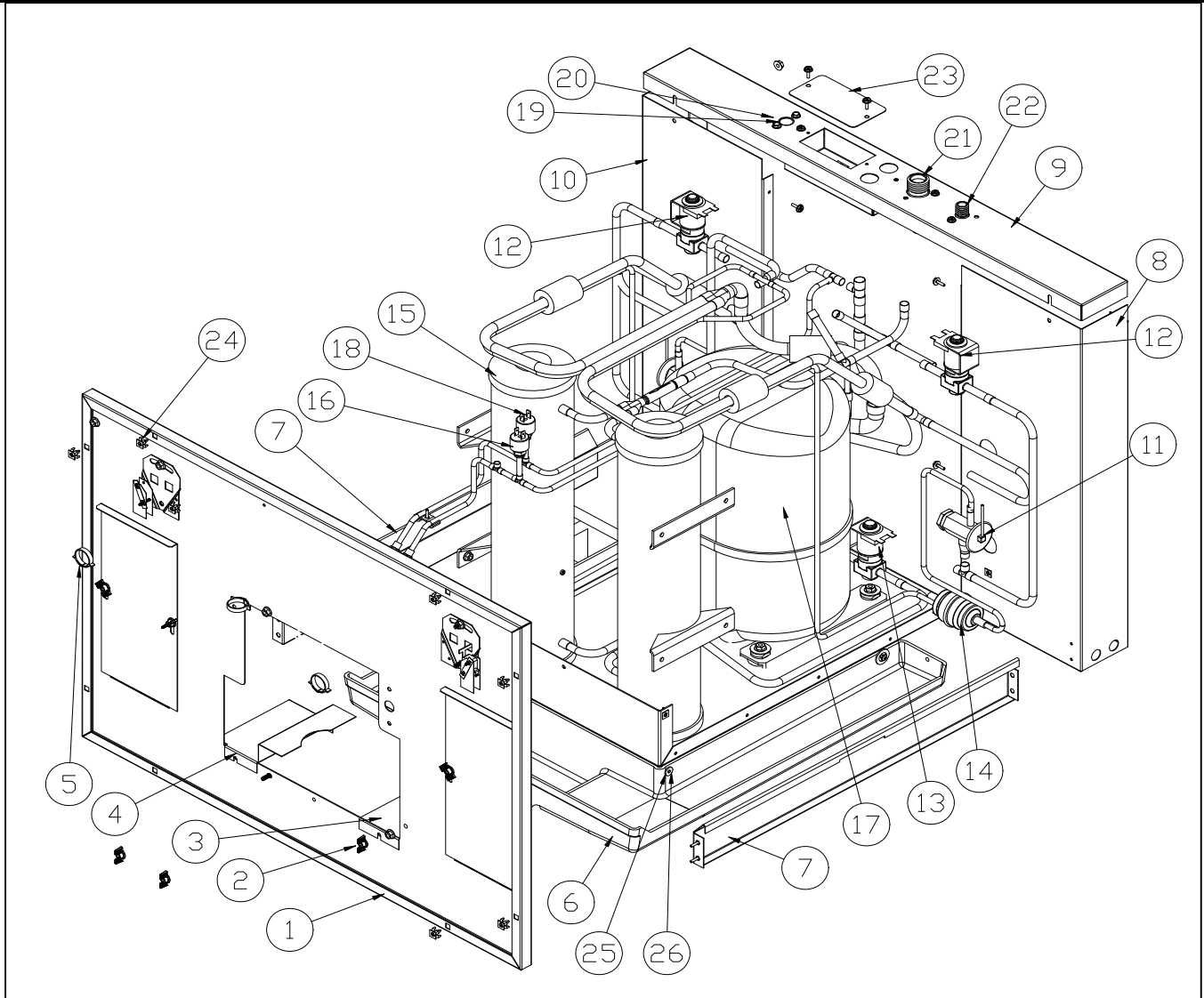
Item No.	Page Number	Description
4	Page No. 4	Cabinet Base
5	Page No. 5	Evaporator Assembly
6	Page No. 6	Evaporator Assembly
7	Page No. 7	Control Box and Bin Switch Assembly
8	Page No. 8	Pump Assembly
9	Page No. 9	Harvest Assist
13	Page No.13	Top Air Discharge Components

Ice Deflector Left Side 2021685-01

Ice Deflector Right Side 3013255-01



Ice Deflector Kit
1051160-01
Includes:
 2021685-01
 3013255-01



Item No.	Description	Part Number
1	Front Frame Panel	2021616-01
1	Front Frame Panel Rev5	2021719-01
2	Plastic Wing Nut	9031161-01
3	Water Pan Cover	3012910-01
4	Water Pan Cover	3012958-01
5	Hose Clamp	9021010-04
6	Water Pan	9051473-01
7	Ice Deflector	3012924-01
8	Rear Frame RH	3013143-01
9	Rear Brace	3013144-01
10	Rear Frame LH	3013143-01
11	Expansion Valve	9151134-02
11	Expansion Valve Rev3, Rev4 & Rev5	9151150-01
11	Expansion Valve ICE1506HT	9151150-01
12	Hot Gas Valve	9151123-01
	Hot Gas Valve Coil	9151123-04
13	Liquid Line Solenoid	9151123-02
	Liq. Line Sol. Coil	9151123-04
14	Drier (Dual Drier)	9151163-01
14	Drier (Single)	9151163-02

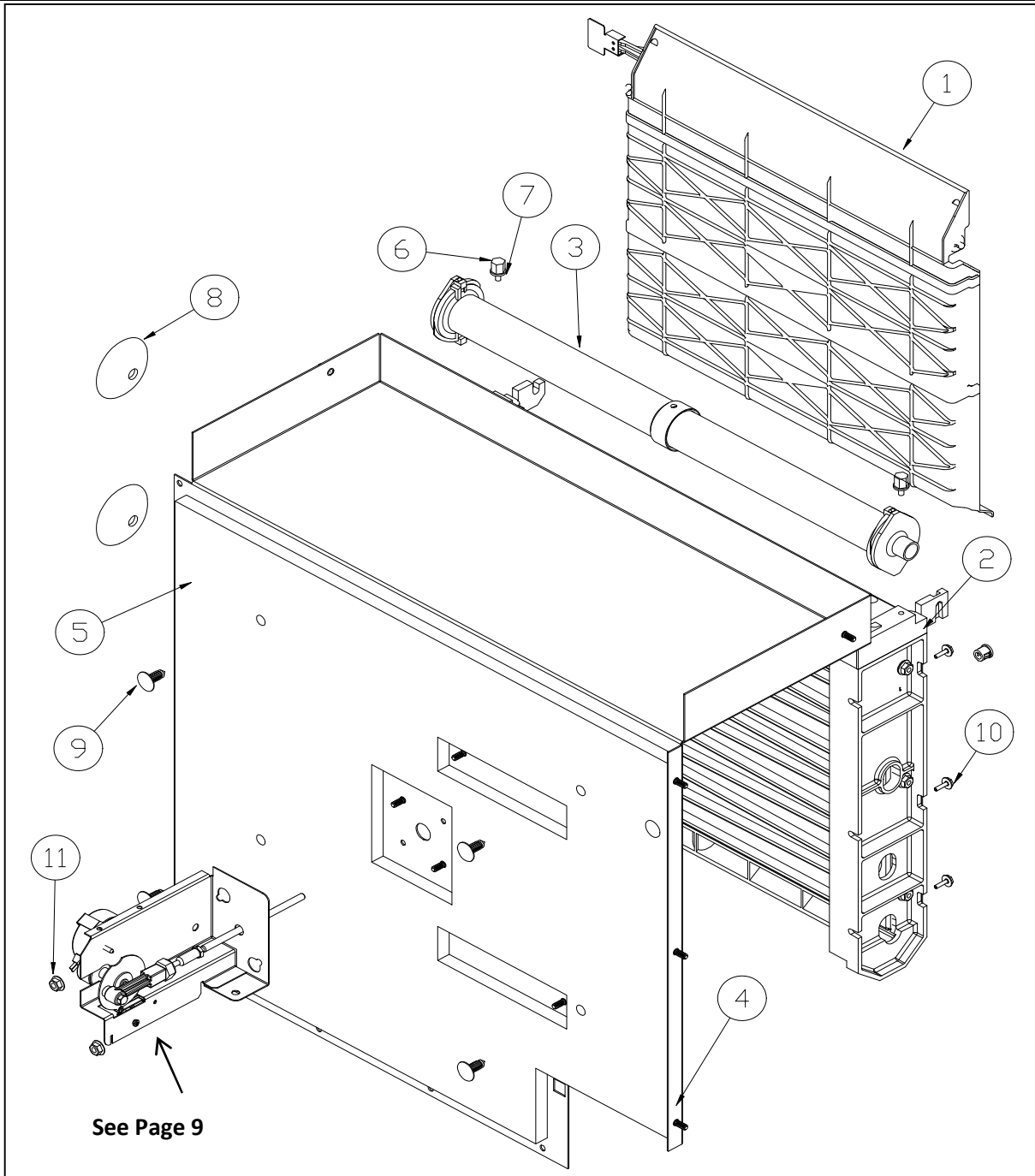
Item No.	Description	Part Number
15	Receiver	9151138-01
16	Pump Down Control	9041092-02
17	Compressor Kit Rev 1 & 2	9181108-11
17	Compressor Kit Rev3*	9181142-11
17	Compressor Kit Rev4	9181142-11
17	Compressor Kit Rev5	9181142-11
17	Compressor Kit ICE1506 HT	9181149-11
18	High Pressure Control	9041091-01
19	Drop Adapter	9091074-01
20	Water Inlet Fitting	9091083-01
21	1/2" Coupling	9091001-12
22	3/8" Coupling	9091001-11
23	Junction Box Cover	3012103-01
24	Plastic Nut	9031141-01
25	Flat Washer	9031004-19
26	Screw	9031046-24
	Plastic Drain Fitting	9091140-01

***Compressor 9181111-11 NLA**

Note: Rev= Model Revision

Note: See Page 13 for Top Air Components

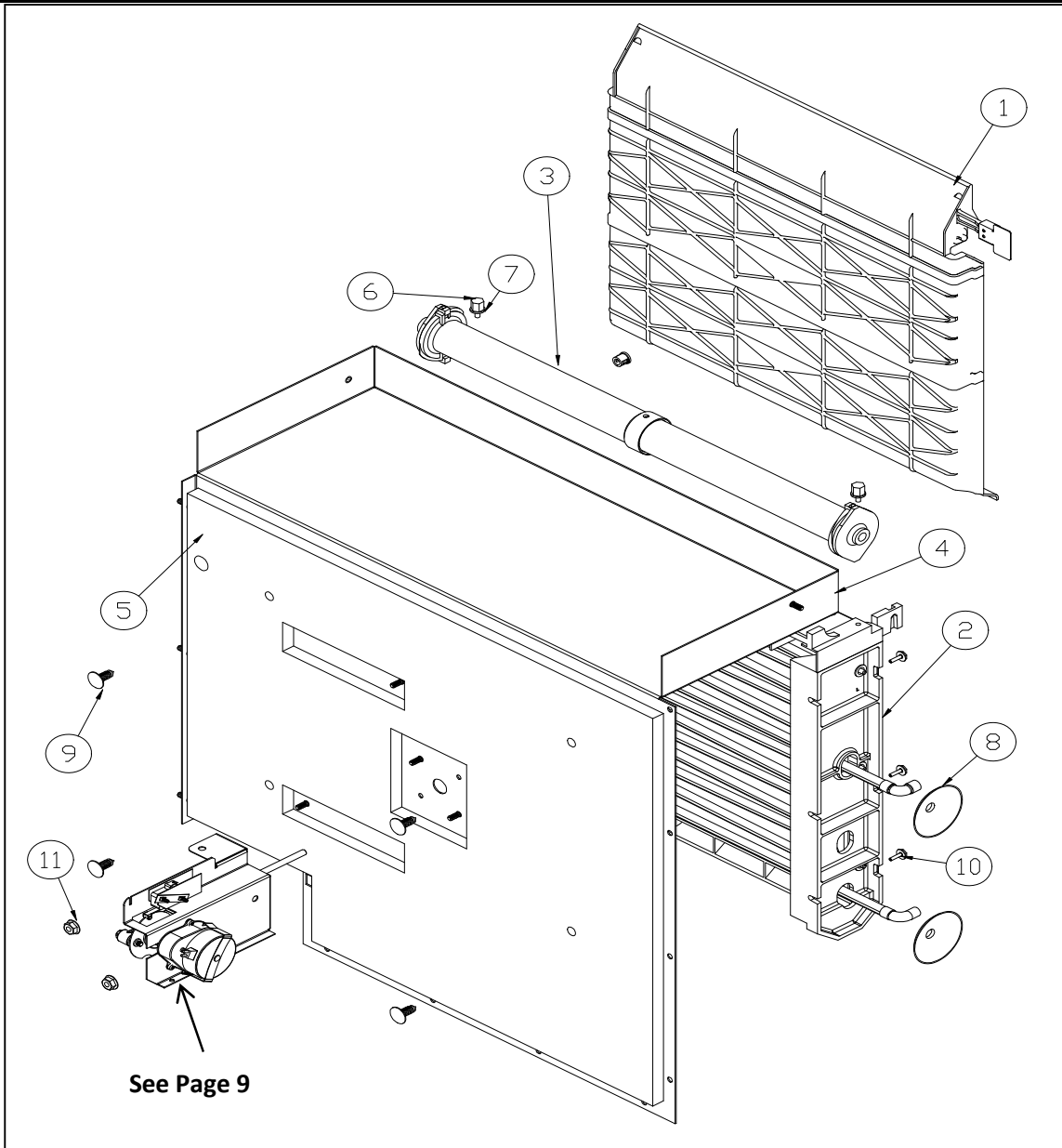
Note: Include installation Hardware



Item No.	Description	Part Number
1	Splash Curtain RH	2101355-03S
1	Splash Curtain RH Rev3, Rev4 & Rev5	2101416-01S
1	Splash Curtain RH ICE1506 HT	2101416-01S
2	Evap. RH Side--Half	2051147-82
2	RH Half Beg. 06011280012042	2051232-82A
2	Evaporator Right Side--Full	2051147-81
2	RH Full Beg. 06011280012042	2051232-81A
2	Evap. RH Side-Half Rev3, Rev4 & Rev5	2051238-82A
2	Evap. RH Side-Half ICE1506HT	2051238-82A
2	Evap RH Side-Full Rev3, Rev4 & Rev5	2051238-81A

Note: Rev= Model Revision
Includes Elbows

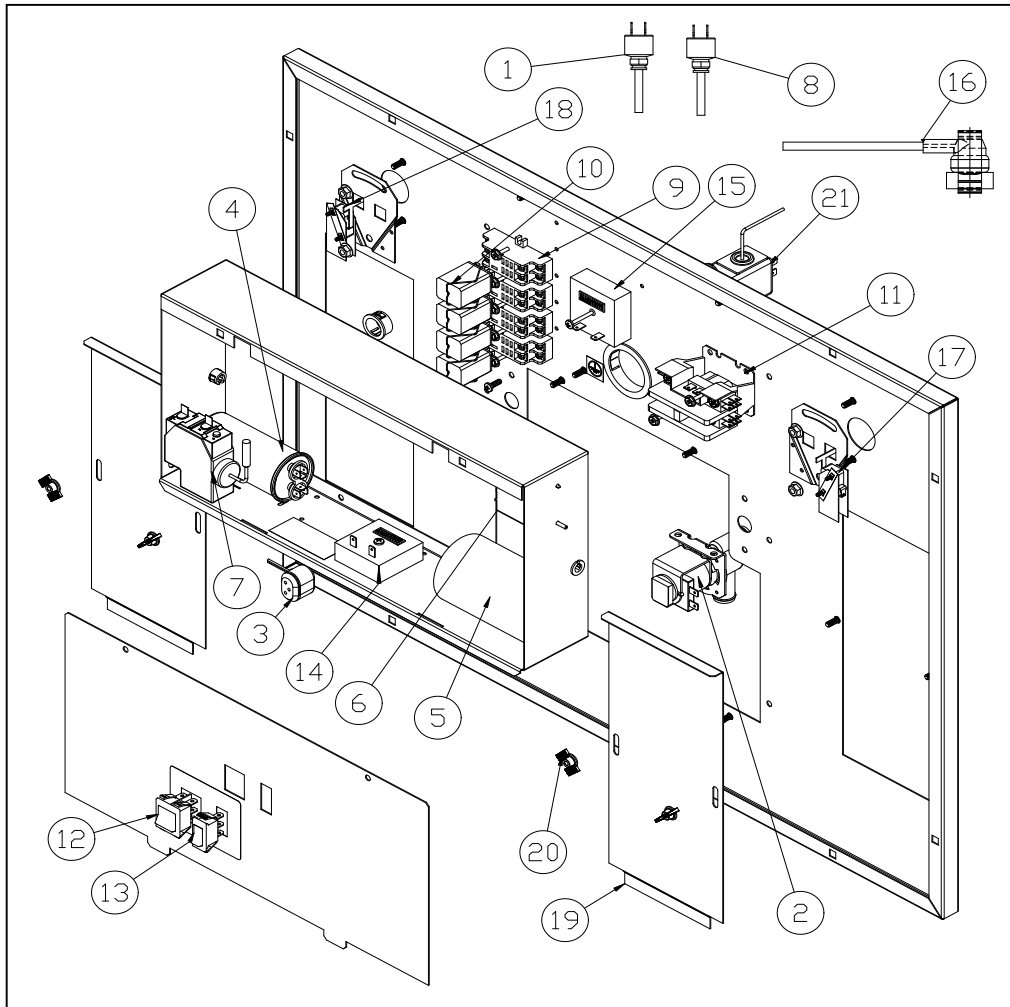
Item No.	Description	Part Number
3	Water Distribution Tube	2041338-02
4	Frame Panel RH	2021619-01
4	Frame Panel RH Rev5	2021720-01
5	Insulation, Side Panel	9131444-01
6	Thumb Screw	9031122-01
7	Rubber Washer	9031004-19
8	Tube Washer	9051237-01
9	Clips	9031154-01
10	#10-16 X 1/2 Screw	9031046-01
11	#10-24 Flanged Locknut	9031118-03



Item No.	Description	Part Number
1	Splash Curtain LH	2101355-04
1	Splash Curtain LH Rev3, Rev4 & Rev5	2101416-02S
1	Splash Curtain LH ICE1506HT	2101416-02S
2	Evaporator Left Side--Half	2051148-82A
2	Evaporator Left Side--Full	2051148-81A
2	Evap Left Side--Half Rev3, Rev4 & Rev5	2051237-82A
2	Evap Left Side--Half ICE1506HT	2051237-82A
2	Evap Left Side--Full Rev3, Rev4 & Rev5	2051237-81A
3	Water Distribution Tube	2041338-02
4	Frame Panel LH	2021619-02
4	Frame Panel LH Rev5	2021721-01
5	Insulation, Side Panel	9131444-02
6	Thumb Screw	9031122-01
7	Rubber Washer	9031004-19
8	Tube Washer	9051237-01
9	Clips	9031154-01
10	#10-16 X 1/2 Screw	9031046-01
11	#10-24 Flanged Locknut	9031118-03

Note: Rev= Model Revision

Includes Elbows
Includes Elbows
Includes Elbows
Includes Elbows
Includes Elbows



Item No.	Description	Part Number
1	Pump Down Control	9041092-02
2	Purge Valve	9041105-05
3	Water Pump Cord	9101218-10
4	Run Capacitor See Detail*	See Detail
5	Start Capacitor See Detail*	See Detail
6	Start Relay See Detail*	See Detail
7	Timer Initiate Control***	9041104-101A
8	High Pressure Control	9041091-01
9	Relay Socket	9101083-01
10	Relay 230 Volt	9101084-02
11	Contactor	9101002-06
12	Selector Switch 9101349-01 is NLA	9101195-01
13	Purge Switch 9101348-01 is NLA	9101139-03
13	Purge Switch 1051208-01 is NLA	9101139-03
14	Timer (4 Second)	9101148-01
15	Timer (Cube Size)	9101148-01
15	Timer (6 minute) V3 0801	9101148-01
16	High Temp Safety Rev1 & Rev 2	9041087-04
16	High Temp Safety Rev3, Rev4 & Rev5	9041098-01
17-18	Bin Limit Switch	9101124-02
19	Access Panel	3013156-01
20	Nylon Wing Nut	9031161-01
21	Bin Thermostat 9041004-02 is NLA	9041097-01
	Fan Control ICE1506 HT	9041106-01

Note: Rev= Model Revision
*Compressor Detail

ICE1506R Rev1 & Rev2 Compressor Kit CS20K6E-PFV-235	
Compressor Kit	9181108-11
Start Capacitor	9181003-21
Run Capacitor	9181009-20
Start Relay	9181010-10

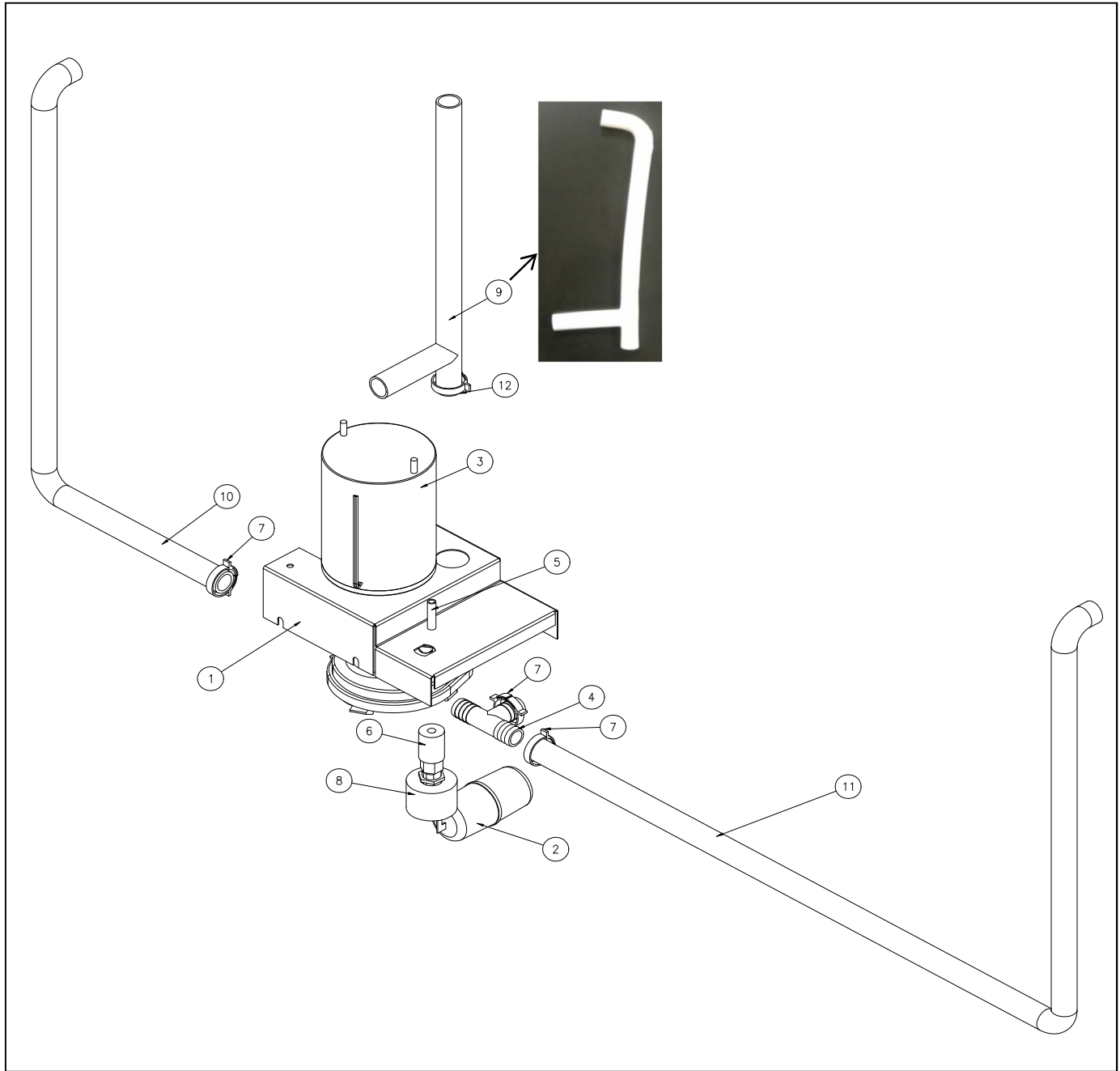
ICE1506R Rev3 From SN 0801 Compressor Kit CS18K6E-PFV-235	
Compressor Kit	9181111-11
Start Capacitor	9181003-19
Run Capacitor	9181009-12
Start Relay Rev	9181010-10

ICE1506R Rev4 & Rev5 From SN 12021280011418 Compressor Kit CS18K6E-PFV-255	
Compressor Kit	9181142-11
Start Capacitor	9181003-19
Run Capacitor	9181009-12
Start Relay Rev	9181010-10

ICE1506HT Compressor Kit R92J323ABC	
Compressor Kit	9181149-11
Start Capacitor	9181003-19
Run Capacitor	9181009-20
Start Relay Rev	9181010-28

Refernece Compressor Model Number to insure the Correct Starting Components

Note*** Includes Solvent and Adhesive



Item No.	Description	Part Number
1	Water Pump Bracket	3012957-01
2	Float Assembly*	9131111-102
3	Water Pump	9161079-06
3	Water Pump ICE1506HT	9161079-03
4	Barbed Tee	9091024-01
5	1/4 " ID Plastic Tubing-40" long	3032898-40
6	1/4 " x 40" Long Insulation	3051210-40
7	Hose Clamp	9021010-04
8	Cap Plug	9131026-02
9	Purge/Pump Tube	9051509-02
9	Purge/Pump Tube**	9051630-01
9	Purge/Pump Tube ICE1506HT	9051630-01

Item No.	Description	Part Number
10	Water Tube Evap Left	9051507-02
	Water Tube Evap Left Rev3, Rev4 & Rev5	9051554-01
10	Water Tube Evap Left ICE1506HT	9051554-01
11	Water Tube Evap Right	9051518-01
	Water Tube Evap Right Rev3, Rev4 & Rev5	9051555-01
11	Water Tube Evap Right ICE1506HT	9051555-01
12	Hose Clamp	9021010-04

Note: Rev= Model Revision

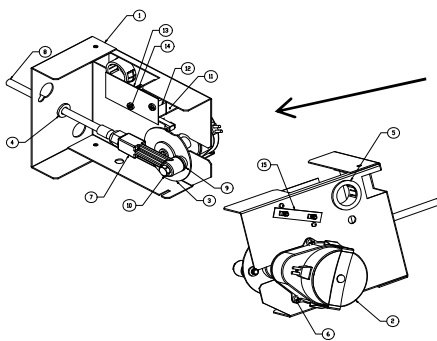
*Note-Float Assembly Includes Fittings for Various Applications

** Note-From Serial Number 13091280011075 (Pictured)

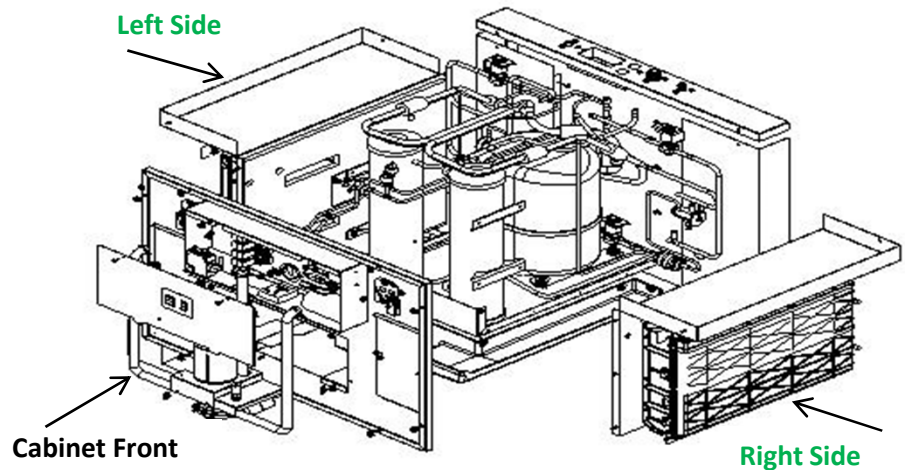
Item No.	Description	Part Number	Note: Rev= Model Revision
	Complete Assembly Right	1051210-02A	Rev3, Rev4 & Rev5
	No Longer Available	2061962-10S	Rev3, Rev4 & Rev5
	Left Complete Assembly	1051210-03A	Rev3, Rev4 & Rev5
	Left Side Assembly	2061962-03S	Rev3, Rev4 & Rev5
	Complete Assembly Right	1051210-02A	ICE1506HT
	No Longer Available	2061962-10S	ICE1506HT
	Left Complete Assembly	1051210-03A	ICE1506HT
	No Longer Available	2061962-03S	ICE1506HT
	Complete Assembly Both Sides	1051210-03A	Prior to Rev3
	No Longer Available	2061962-03S	Prior to Rev3

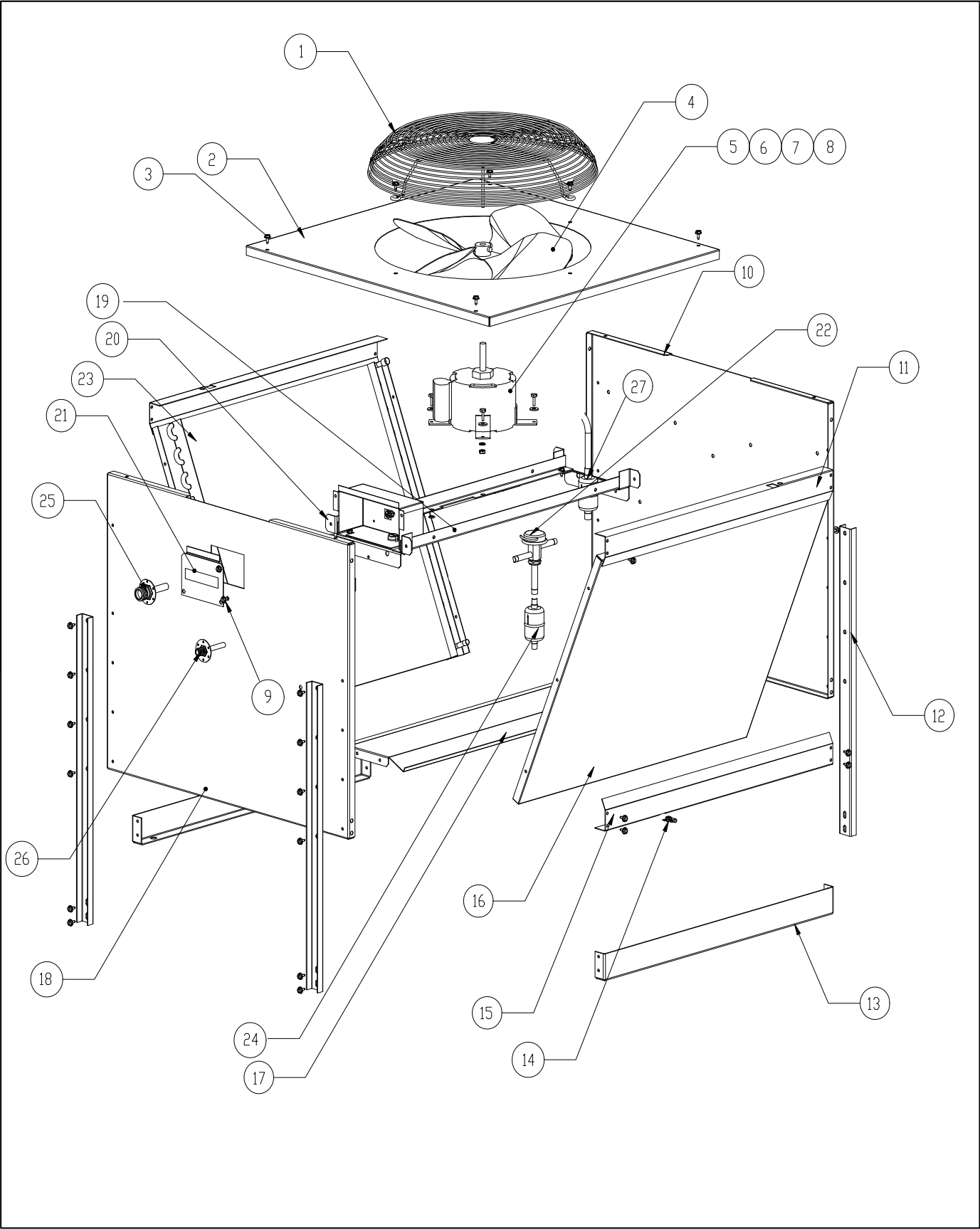


- The **1051210-XXA** assembly will fit all ICE Models from October 1999 and EC Models.
- Units installed with a double cam switch, either Field installed or Factory installed will require the complete assembly and a potential wiring change as per the New Wiring Diagram included with the assembly.
- Individual component parts are not available for the **1051210-XXA** assembly.
- Individual component parts are No Longer Available for previous version of the Harvest Assist Assembly
- Parts for the **2061962-XX** Harvest Assist Assembly are not compatible with **1051210-XXA** Harvest Assist Assembly.
- Proper assembly and alignment of the parts is critical to proper operation, this includes cam and probe alignment.
- If a **1051210-XXA** assembly fails, it must be returned to Ice-O-Matic.

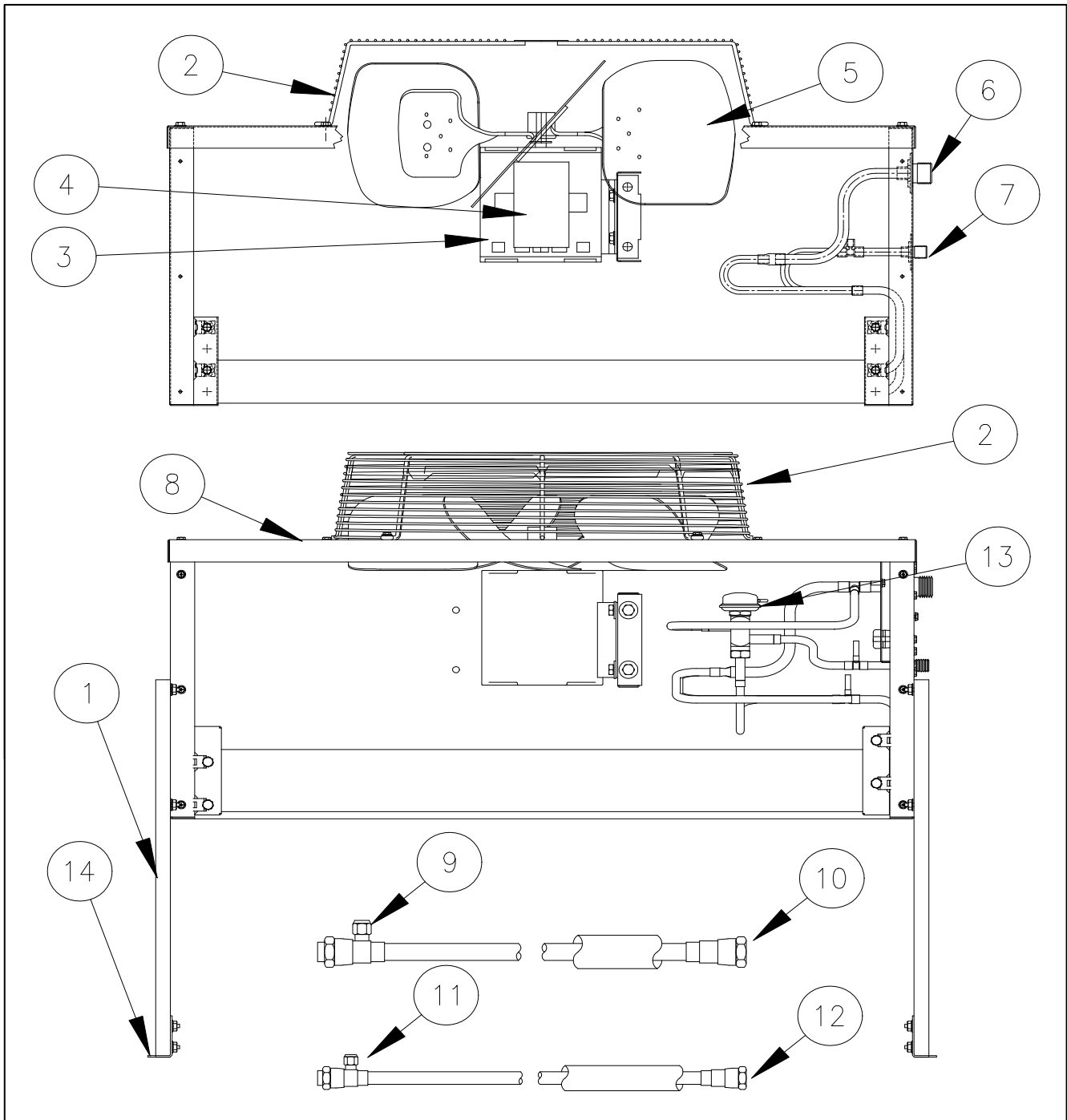


2061962-03S No Longer Available
2061962-10S No Longer Available



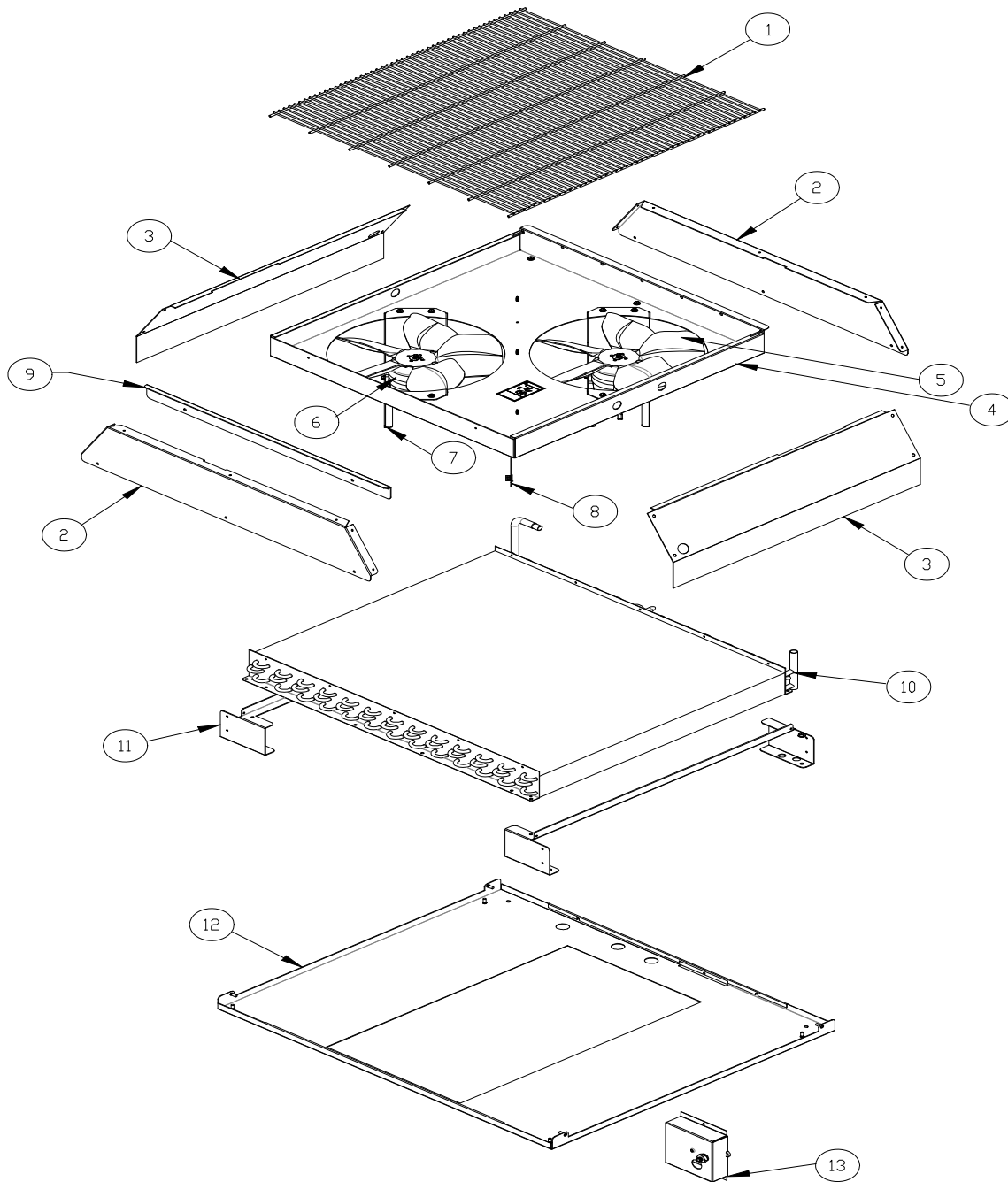


Item	Description	VRC2661
1	Fan Guard	9131452-01
2	Top Panel	3013222-01
3	¼-20 x 1/2 Screw	9031019-04
4	Fan Blade	9131451-01
5	Fan Motor	9161117-01
6	¼-20 x ¾ Cap Screw	9031001-02
7	Flat Washer	9031003-01
8	Flanged Lock Nut	9031118-02
9	¼-20 x 1/2 Screw	9031019-04
10	Rear Panel	3013224-01
11	Brace	3013226-01
12	Leg	3013227-01
13	Leg Brace	3013228-01
14	T-Nut-Shipping Only	N/A
15	Brace	3013226-01
16	Cover Panel	N/A
17	Center Panel	3013225-01
18	Front Panel	3013223-01
19	Motor Brace	3013234-01
20	Motor Brace Support	3013233-01
21	Junction Box Cover	3013229-01
22	Mixing Valve	9151027-07
23	Condenser	9141136-01
24	Filter	9151143-01
25	1/2 Coupling	9091001-12
26	3/8 Coupling	9091001-11
27	Filter	9151143-02
	Low Ambient Fan Control Kit	1051158-01



Item No.	Description	Part Number
1	Mounting Leg	3013125-01
2	Fan Guard	9131356-01
3	Fan Motor	9161110-02
4	Capacitor	9161110-92
5	Fan Blade	9131357-01
6	Coupling-Bulkhead-1/2"	9091001-12
7	Coupling-Bulkhead-3/8"	9091001-11

Item No.	Description	Part Number
8	Top Panel	3013124-01
9	Coupling Half 1/2" w/port	9091001-10
10	Coupling Half 1/2"	9091001-08
11	Coupling Half 3/8" w/port	9091001-04
12	Coupling Half 3/8"	9091001-02
13	Mixing Valve	9151027-06
14	Leg Brace	3013126-01



ICE1506 Top Air Discharge

1	Wire Fan Guard	9131454-02
2	Bracket, Condenser End	3013574-01
3	Cover, Condenser	3013576-01
4	Shroud, Fan	3013563-01
5	Fan Blade	9131489-01
6	Fan Motor	9161125-01
7	Bracket, Fan	3013561-01
8	Bracket, Divider	3013562-01
9	Bracket, Grill	3013575-01
10	Condenser	9141144-01
11	Bracket, Condenser Frame	3013573-01
12	Base	2021751-01
13	Junction Box	3013266-01