

DISCONNECT POWER BEFORE SERVICING MACHINE OR ELECTRICALS

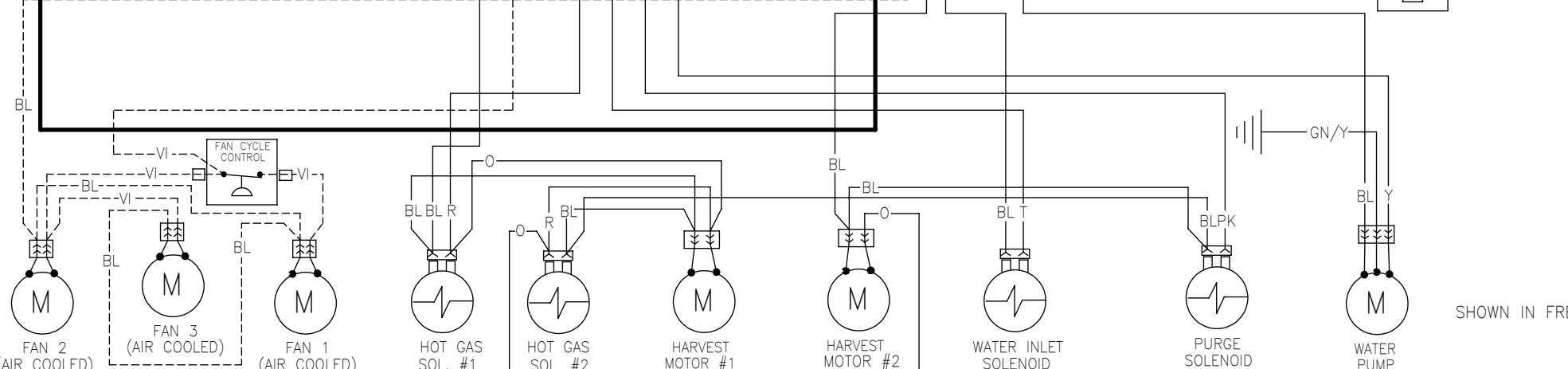
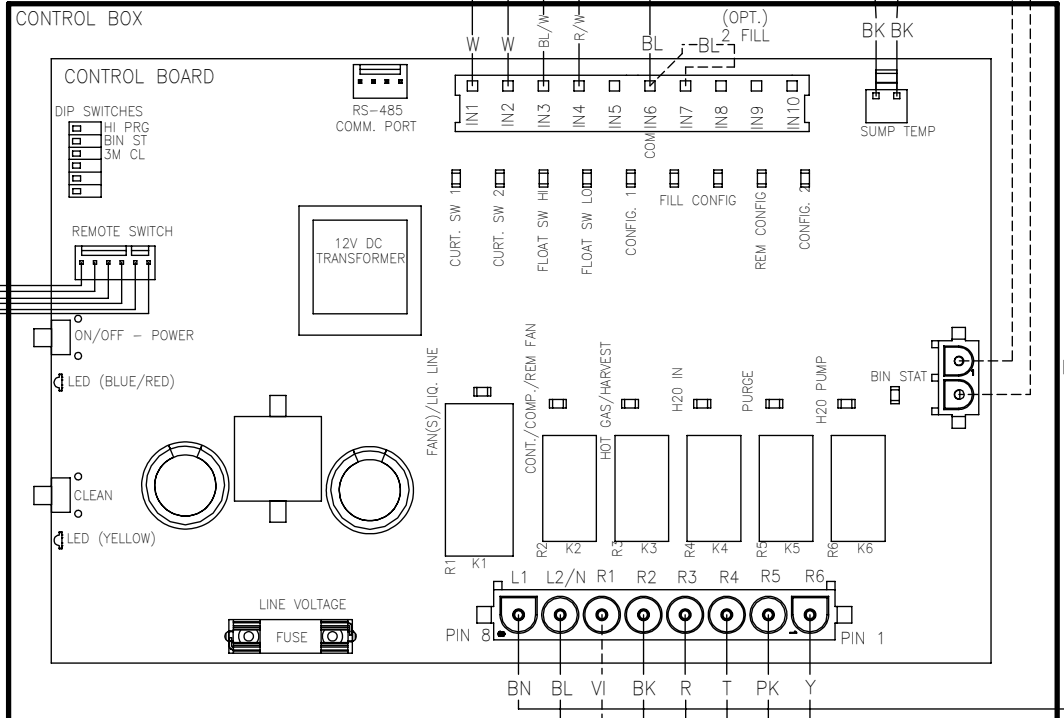
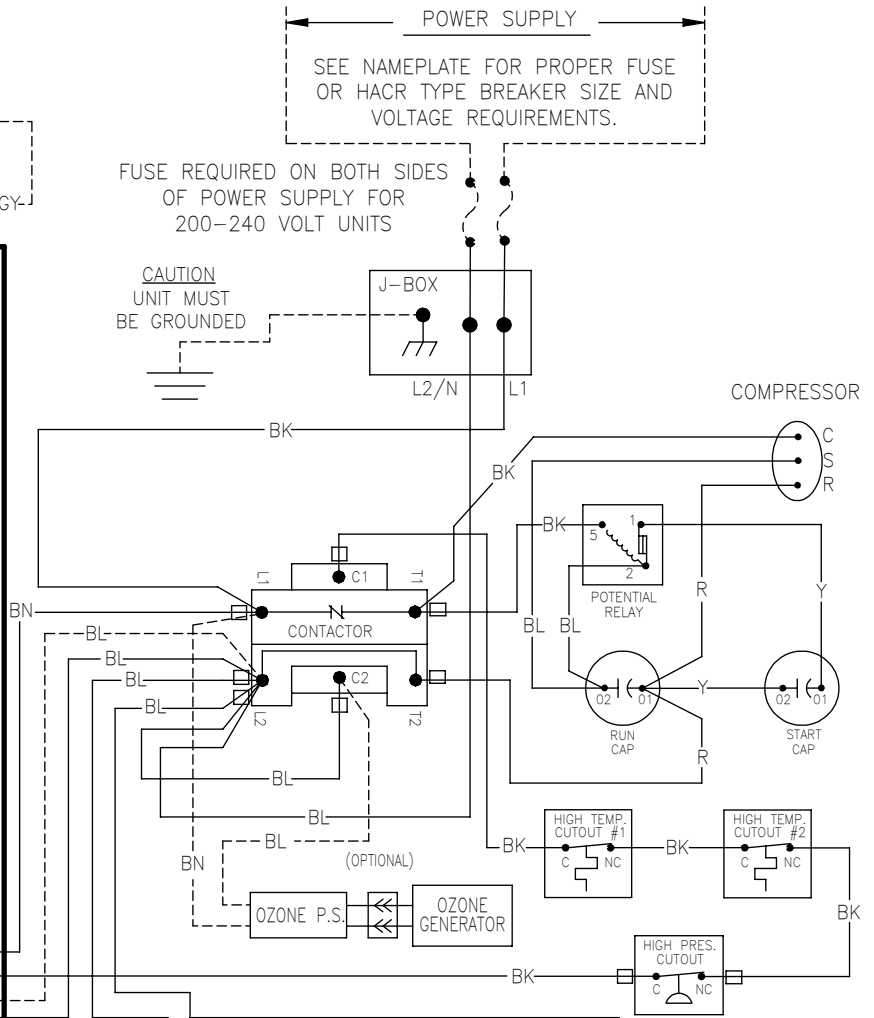
CAUTION MORE THAN ONE DISCONNECT SWITCH MAY BE REQUIRED TO DE-ENERGIZE ALL POWER TO THE MACHINE

POWER SUPPLY

SEE NAMEPLATE FOR PROPER FUSE OR HACR TYPE BREAKER SIZE AND VOLTAGE REQUIREMENTS.

FUSE REQUIRED ON BOTH SIDES OF POWER SUPPLY FOR 200-240 VOLT UNITS

CAUTION UNIT MUST BE GROUNDED



SHOWN IN FREEZE MODE