



**SERVICE PARTS MANUAL**  
**CIM SERIES**  
**CIM0825, CIM0826, CIM1125 CIM1126**





This parts list contains the service parts available for the following CIM Series.

**CIM0826 208-230/60/1**

**CIM0825 220-240/50/1**

**CIM1126 208-230/60/1**

**CIM1125 220-240/50/1**

**Model Number Example**

**CIM0826HA**

**CIM** = **C**uber **I**ce **M**achine

**08** = 800 lb, in 24 hours capacity

**2** = 22 inch wide cabinet

**0** = 115 Volt, **5** = 220-240/50/1 **6** = 208-230/60/1 Volt

**H** = Half Cube Size, **F** = Full Cube Size

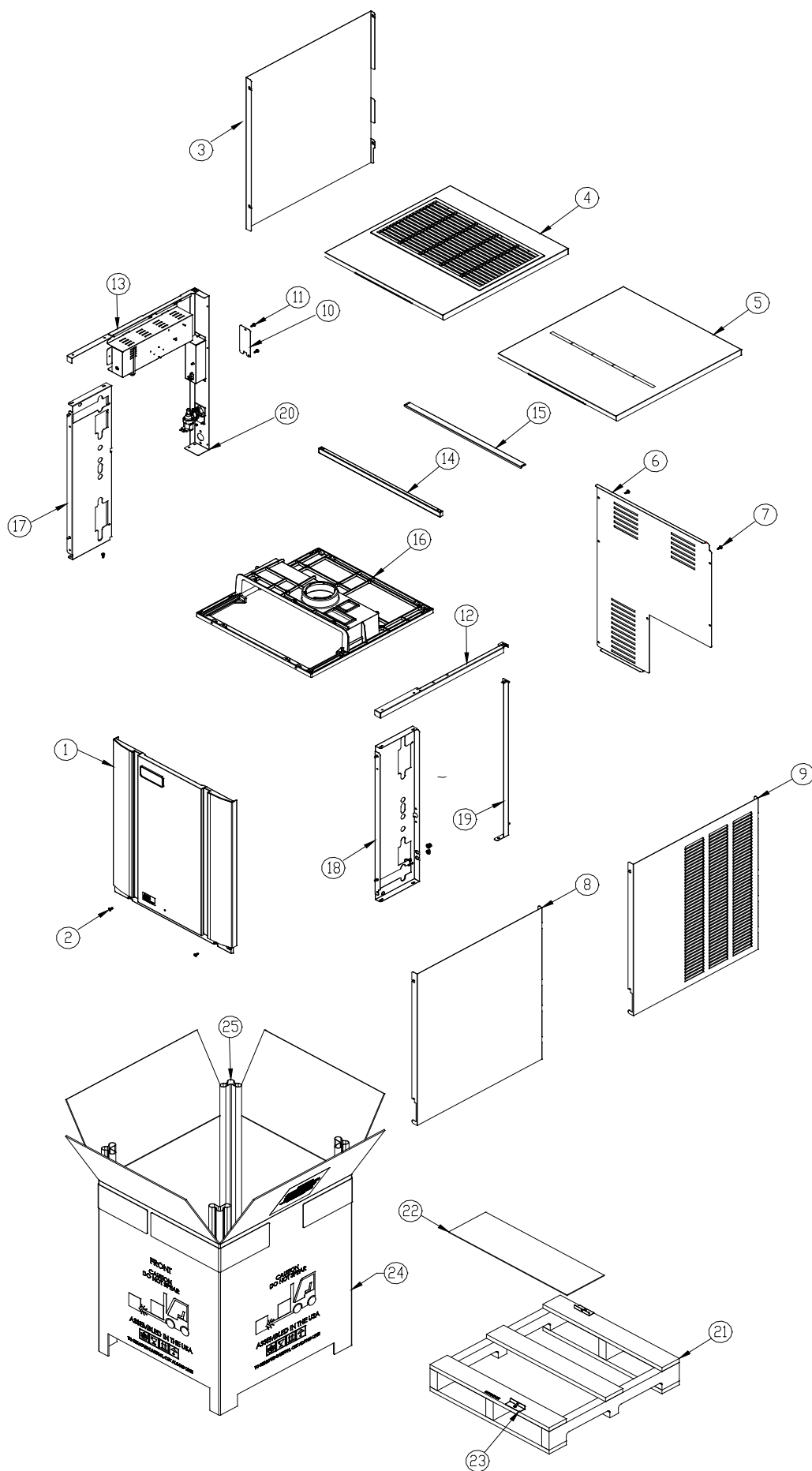
**A** = Air Cooled Condenser, **W** = Water Cooled Condenser **R**=Remote Condenser

**Check the model number on the data plate and refer to the correct listing for the specific component.**

Check carefully that the correct part is identified and ordered.

<b>Table of Contents</b>	<b>Page 1</b>
<b>Cabinet</b>	<b>Page 2-3</b>
<b>Water System</b>	<b>Page 4-5</b>
<b>Air Cooled Condenser</b>	<b>Page 6-7</b>
<b>Remote Condenser</b>	<b>Page 8-9</b>
<b>Electrical</b>	<b>Page 10-11</b>
<b>Compressor</b>	<b>Page 12</b>

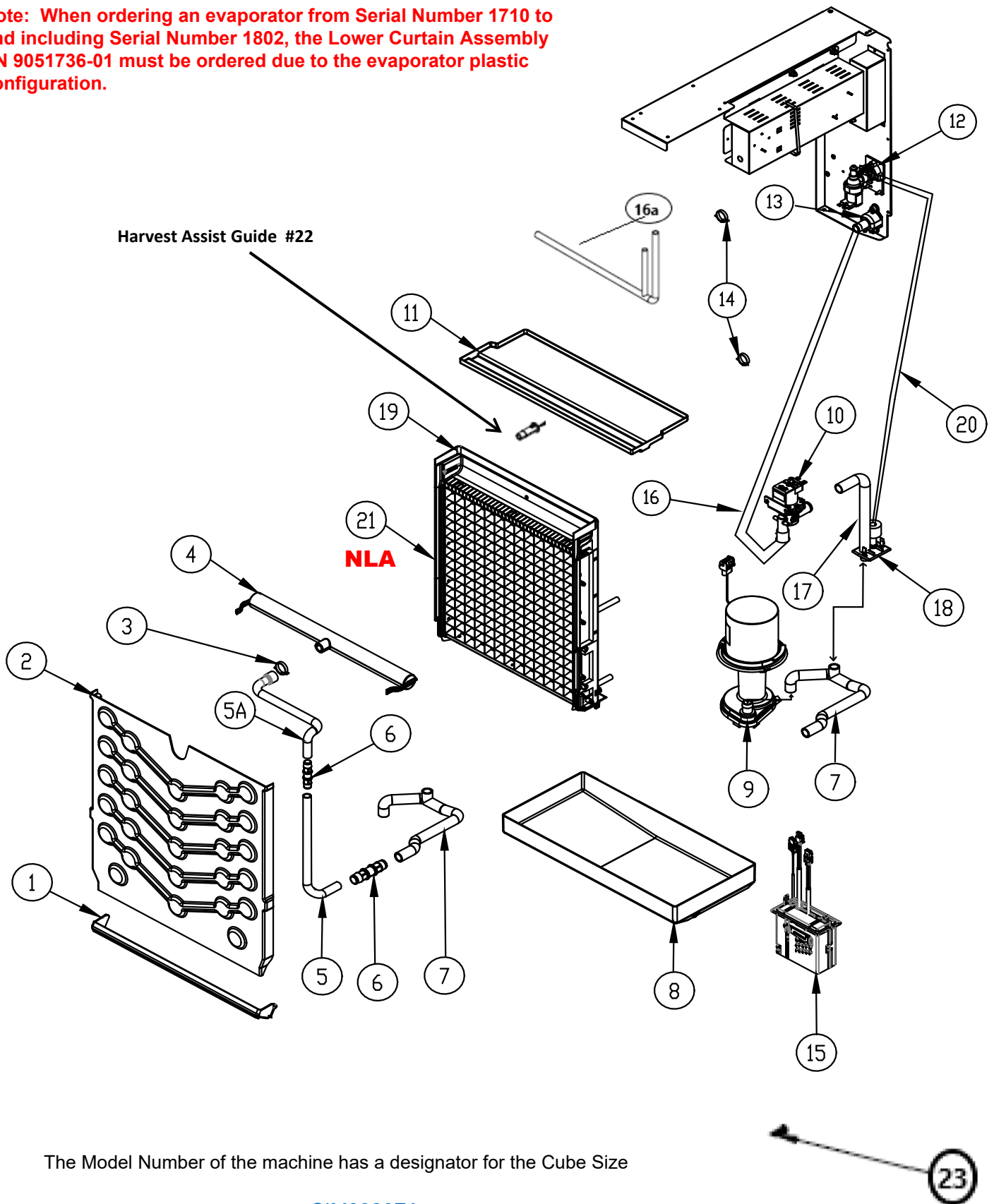
Ice-O-Matic  
11100 East 45th Ave.  
Denver Co. 80239  
800-423-3367



Item No.	Model Number			Description
	CIM0826		CIM1126	
1	2031545-01S		2031545-01S	Front Panel
2	9031237-01P		9031237-01P	Front Panel Screws
3	3022007-05		3022007-05	Left Side Side Panel
4	3022012-07		3022012-07	Top Panel-Air Cooled
5	3022012-01		3022012-01	Top Panel-Remote and Water Cooled
6	9031046-01P		9031046-01P	Rear Cover Screws
7	3013634-04		3013634-04	Rear Cover
8	3022007-06		3022007-06	Right Side Panel-Remote and Water Cooled
9	3022007-04		3022007-04	Right Side Panel-Air Cooled
10	3013674-01		3013674-01	Junction Box Cover
11	9031046-01P		9031046-01P	Junction Box Screw
12	3013691-01		3013691-01	Top Right Frame Work
13	2021810-01		2021810-01	Left Side Frame Top
14	3013637-01		3013637-01	Brace 22 Inch
15	3013636-01		3013636-01	Rear Brace
16	9051725-01		9051725-01	Base
17	2021800-01		2021800-01	Front Left Brace
18	2021800-02		2021800-02	Front Right Brace
19	2021808-01		2021808-01	Right Rear Corner
20	2021803-01		2021803-01	Left Rear Corner Post
21	9011369-03		9011369-03	Elevation Skid 22 Inch
22	9011378-02		9011378-02	Carton Liner 22 Inch
23	9051765-01		9051765-01	Shipping Bracket 2 Req. (Field Installed)
24	9011374-04		9011374-04	Carton, Elevation 22 Inch
25	9011320-06		9011320-06	Corner Post (Each), Elevation, (4 Required)
	9031026-04P		9031026-04P	Pop Rivets Not Shown ( Package of 10)

	CIM0825		CIM1125		Description
1	2031545-01S		2031545-01S		Front Panel
2	9031237-01P		9031237-01P		Front Panel Screws
3	3022007-05		3022007-05		Left Side Side Panel
4	3022012-07		3022012-07		Top Panel-Air Cooled
5	3022012-01		3022012-01		Top Panel-Remote and Water Cooled
6	9031046-01P		9031046-01P		Rear Cover Screws
7	3013634-04		3013634-04		Rear Cover
8	3022007-06		3022007-06		Right Side Panel-Remote and Water Cooled
9	3022007-04		3022007-04		Right Side Panel-Air Cooled
10	3013674-01		3013674-01		Junction Box Cover
11	9031046-01P		9031046-01P		Junction Box Screw
12	3013691-01		3013691-01		Top Right Frame Work
13	2021810-01		2021810-01		Left Side Frame Top
14	3013637-01		3013637-01		Brace 22 Inch
15	3013636-01		3013636-01		Rear Brace
16	9051725-01		9051725-01		Base
17	2021800-01		2021800-01		Front Left Brace
18	2021800-02		2021800-02		Front Right Brace
19	2021808-01		2021808-01		Right Rear Corner
20	2021803-01		2021803-01		Left Rear Corner Post
21	9011369-03		9011369-03		Elevation Skid 22 Inch
22	9011378-02		9011378-02		Carton Liner 32 Inch
23	9051765-01		9051765-01		Shipping Bracket 2 Req. (Field Installed)
24	9011374-04		9011374-04		Carton, Elevation 22 Inch
25	9011320-06		9011320-06		Corner Post (Each), Elevation, (4 Required)
	9031026-04P		9031026-04P		Pop Rivets Not Shown ( Package of 10)

**Note: When ordering an evaporator from Serial Number 1710 to and including Serial Number 1802, the Lower Curtain Assembly PN 9051736-01 must be ordered due to the evaporator plastic configuration.**



The Model Number of the machine has a designator for the Cube Size

Example: **CIM0826FA** **F = Full Cube**

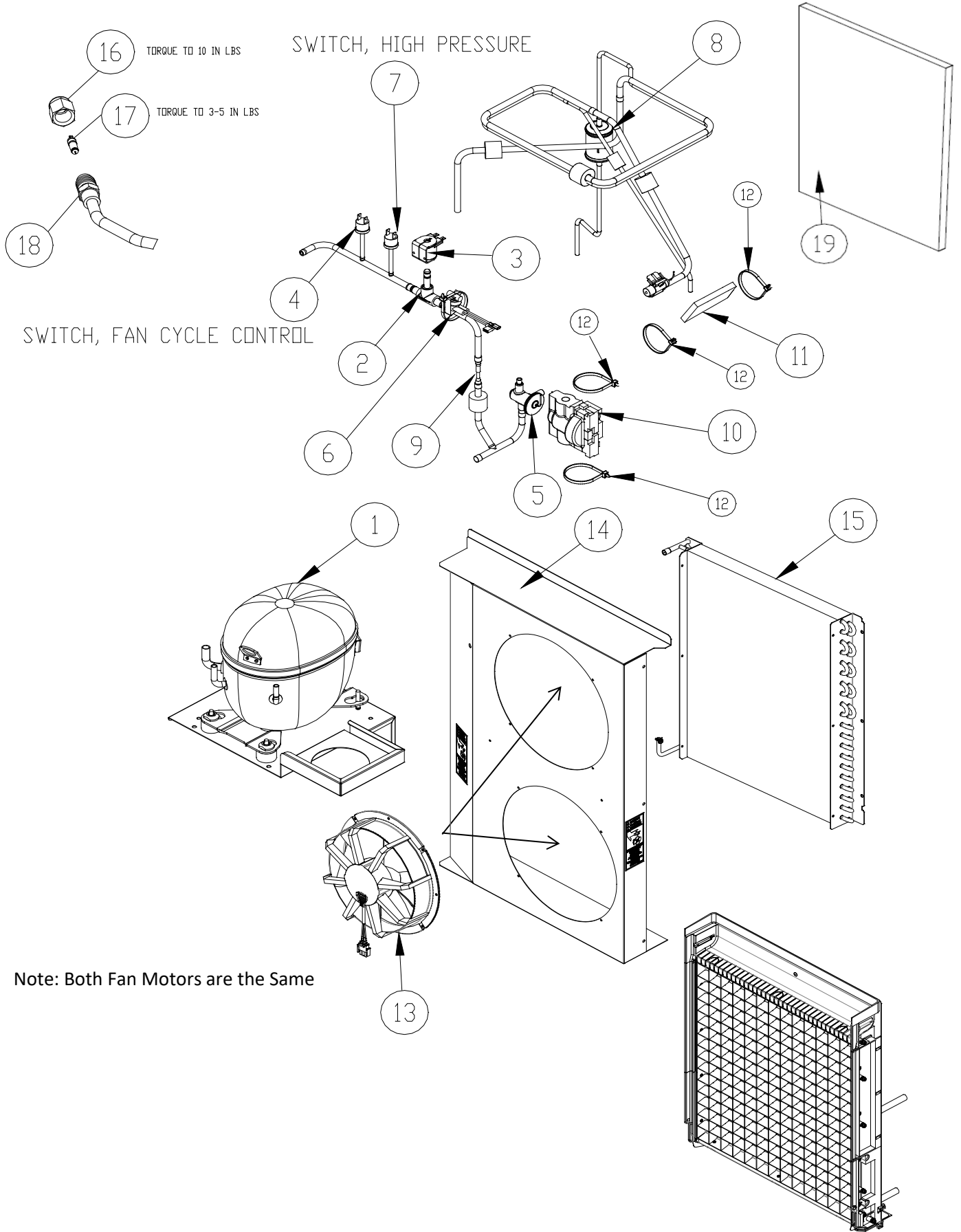
**CIM0826HA** **H = Half Cube**

**CIM Service Parts**

**Water System**

Item No.	Model Number		Description
	CIM0826	CIM1126	
1	9051823-01S	9051823-01S	Lower Curtain Assembly
2	9051760-01	9051760-01	Evaporator Cover
3	9021010-05	9021010-05	Hose Clamp, Plastic
4	9051766-01	9051766-01	Water Distribution Tube Assembly
5	9051749-05	9051749-05	Water Tube, Side
5A	9051780-01	9051780-01	Water Tube Upper
6	9091177-01	9091177-01	Coupler, Straight, 5/8 I.D. Tubing
7	9051748-01	9051748-01	Water Tube, Sump
8	9051737-01	9051737-01	Sump/Water Trough
9	2062336-03S	2062336-03S	Water Pump
10	9041105-05	9041105-05	Purge Valve
11	9051738-01	9051738-01	Top Cover
12	9041108-02	9041108-02	Water Inlet Valve
13	9091140-01	9091140-01	Drain Fitting
14	9021010-04	9021010-04	Hose Clamp, Plastic
15	1051224-01	1051224-01	Float Switch Assembly (Includes Instructions)
16	3051269-30S	3051269-30S	Purge Valve Tubing to Drain
16a	9051856-01	9051856-01	Purge Valve Tubing to Drain (Rev 5 & Up)
17	9051541-01	9051541-01	Purge Valve Tube to Inlet Outlet Bracket
18	9051739-01	9051739-01	Inlet Outlet Bracket
19	1051380-01A	1051380-01A	Evaporator-FULL Cube = 7/8 x 7/8 x 7/8
19	1051380-02A	1051380-02A	Evaporator-HALF Cube = 3/8 x 7/8 x 7/8
20	9051782-36	9051782-36	Water Inlet Valve to Inlet Outlet Bracket Tube
21	N/A	N/A	Evaporator - Grande Cube tp (1051223-07 NLA
22	9051744-01	9051744-01	Harvest Assist Guide (for unit S/Ns before #2102)
22	9051001-02	9051001-02	Harvest Assist Guide (for unit S/Ns 2102 & above)
23	9051840-01	9051840-01	Poppet Valve (for the Evaporator Sump)
	2021776-01S	2021776-01S	Compressor Base (Not Shown)
	208-230/60/1	208-230/60/1	Machine Voltage

Item No.	Model Number 220-240/50/1		Machine Voltage
	CIM0825	CIM1125	
1	9051823-01S	9051823-01S	Lower Curtain Assembly
2	9051760-01	9051760-01	Evaporator Cover
3	9021010-05	9021010-05	Hose Clamp, Plastic
4	9051766-01	9051766-01	Water Distribution Tube Assembly
5	9051749-05	9051749-05	Water Tube, Side
5A	9051749-03	9051749-03	Water Tube Upper
6	9091177-01	9091177-01	Coupler, Straight, 5/8 I.D. Tubing
7	9051748-01	9051748-01	Water Tube, Sump
8	9051737-01	9051737-01	Sump/Water Trough
9	2062336-03S	2062336-03S	Water Pump
10	9041105-05	9041105-05	Purge Valve
11	9051738-01	9051738-01	Top Cover
12	9041108-02	9041108-02	Water Inlet Valve
13	9091140-01	9091140-01	Drain Fitting
14	9021010-04	9021010-04	Hose Clamp, Plastic
15	1051224-01	1051224-01	Float Switch Assembly (Includes Instructions)
16	3051269-30S	3051269-30S	Purge Valve Tubing to Drain
16a	9051856-01	9051856-01	Purge Valve Tubing to Drain (Rev 5 & Up)
17	9051541-01	9051541-01	Purge Valve Tube to Inlet Outlet Bracket
18	9051739-01	9051739-01	Inlet Outlet Bracket
19	1051380-01A	1051380-01A	Evaporator-FULL Cube = 7/8 x 7/8 x 7/8
19	1051380-02A	1051380-02A	Evaporator-HALF Cube = 3/8 x 7/8 x 7/8
20	9051782-36	9051782-36	Water Inlet Valve to Inlet Outlet Bracket Tube
21	N/A	N/A	Evaporator - Grande Cube tp (1051223-07 NLA
22	9051744-01	9051744-01	Harvest Assist Guide (for unit S/Ns before #2102)
22	9051001-02	9051001-02	Harvest Assist Guide (for unit S/Ns 2102 & above)
23	9051840-01	9051840-01	Poppet Valve (for the Evaporator Sump)
	2021776-01S	2021776-01S	Compressor Base (Not Shown)





Item No.	Model Number			Description
	CIM0826A		CIM1126A	
1B	9181177-11		9181180-11	Compressor Kit <b>RED= NLA, Use the 105 Kit Below</b>
1BC	1051239-01		1051240-01	Compressor Kit, Bristol to Copeland
1CR1	9181139-11		9181240-11	Compressor (Revision 1 Series)
	9151192-101		9151198-101	Hot Gas valve Body (Revision 1 Series)
2	9151192-101		9151192-102	Hot Gas Valve Body
3	9151193-02		9151193-02	Hot Gas Valve Coil (240 V)
4	9041106-01		9041106-01	Switch, Fan Cycle
5	9151152-101		9151152-101	TXV
6	9041098-02		9041098-02	High Temp Switch
7	9041111-01		9041111-01	Switch, High Pressure
8	9151163-03		9151163-03	Drier <b>(Included in Compressor Kit)</b>
9	Not Used		Not Used	Restrictor
10	9131544-01		9131544-01	Insulation, TXV
11	9131143-07		9131143-07	Insulation, Bulb
12	9021021-01		9021021-01	Cable Tie-For TXV and Bulb Insulation
13	9161135-02		9161135-02	Fan Motor Assembly (no Rev #/Both Motors the Same)
13	9161150-22		9161150-22	<b>Fan Motor Assembly (Revision 1 and above)</b>
14	3013697-02		3013697-02	Fan Shroud
15	9141153-01		9141153-01	Condenser
16	9091086-03		9091086-03	Service Valve Cap
17	9091086-02		9091086-02	Service Valve Core
18	9091086-01		9091086-01	Service Valve Stem
19	9131574-02		9131574-02	Air Filter
	208-230/60/1		208-230/60/1	← Machine Voltage

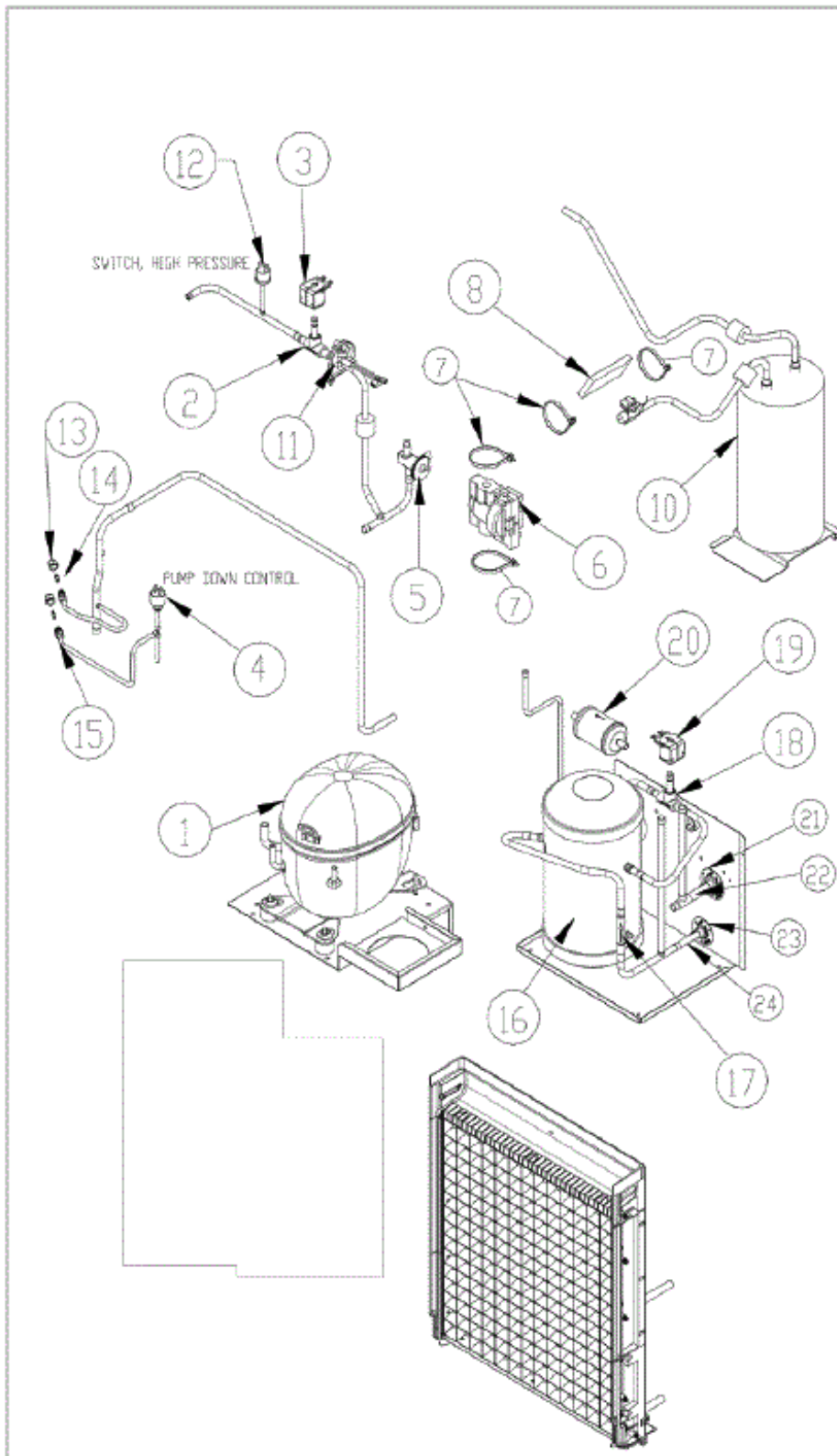
Item No.	Model Number			Description
	CIM0825A		CIM1125A	
1B	9181176-11		9181182-11	Compressor Kit <b>RED= NLA, Use the 105 Kit Below</b>
1BC	1051240-02		1051241-02	Compressor Kit, Bristol to Copeland
1CR1	9181140-12		9181141-12	Compressor (Revision 1 Series)
2	9151192-101		9151192-102	Hot Gas Valve Body
3	9151193-02		9151193-02	Hot Gas Valve Coil (240 V)
4	9041106-01		9041106-01	Switch, Fan Cycle
5	9151152-101		9151152-101	TXV
6	9041098-02		9041098-02	High Temp Switch
7	9041111-01		9041111-01	Switch, High Pressure
8	9151163-03		9151163-03	Drier <b>(Included in Compressor Kit)</b>
9	Not Used		Not Used	Restrictor
10	9131544-01		9131544-01	Insulation, TXV
11	9131143-07		9131143-07	Insulation, Bulb
12	9021021-01		9021021-01	Cable Tie-For TXV and Bulb Insulation
13	9161135-02		9161135-02	Fan Motor Assembly (no Rev #/Both Motors the Same)
13	9161150-22		9161150-22	<b>Fan Motor Assembly (Revision 1 and above)</b>
14	3013697-02		3013697-02	Fan Shroud
15	9141153-01		9141153-01	Condenser
16	9091086-03		9091086-03	Service Valve Cap
17	9091086-02		9091086-02	Service Valve Core
18	9091086-01		9091086-01	Service Valve Stem
19	9131574-02		9131574-02	Air Filter
	220-240/50/1		220-240/50/1	← Machine Voltage

1B Originally Supplied with a Bristol Compressor, Bristol Compressors are No Longer Available

1BC Converts from a Bristol Compressor to a Copeland Kit

1CR1 Built with a Copeland Compressor, Rev 1

Reference Page 14 for Compressor Starting Components



CIM Service Parts

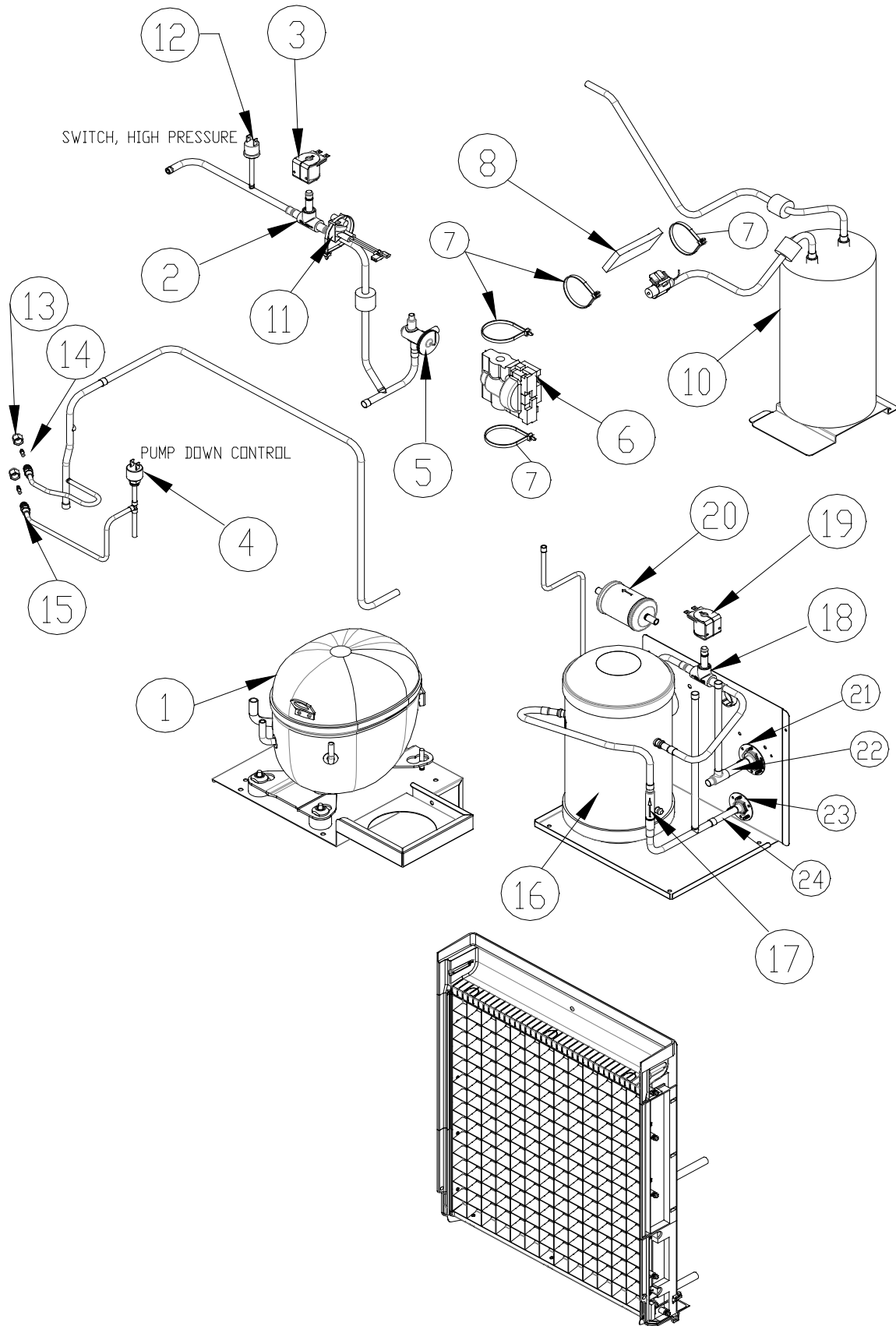
Water Cooled

Item No.	Model Number			Description
	CIM0826		CIM1126	
1*	9181177-11		9181180-11	Compressor Kit NLA Use the 105 Kit Below
1BC	1051239-01		1051240-01	Compressor
1**	9181139-11		9181240-11	Compressor (Copeland) (Rev 1 and After)
2	9151192-101		9151198-101	Hot Gas Valve Body
3	9151193-02		9151193-02	Hot Gas Valve Coil
4	9151152-101		9151152-101	TXV
5	9041098-02		9041098-02	High Temp Switch
6	9041111-01		9041111-01	Switch, High Pressure
7	9151163-02		9151163-02	Drier <b>(Included in Compressor Kit)</b>
8	9131544-01		9131544-01	Insulation, TXV
9	9131143-02		9131143-02	Insulation, Bulb
10	9021021-01		9021021-01	Cable Tie-For TXV and Bulb Insulation
11	9041059-01		9041059-01	Water Regulator
12	9141157-01		9141157-01	Condenser
13	9091086-03		9091086-03	Service Valve Cap
14	9091086-02		9091086-02	Service Valve Core
15	9091086-01P		9091086-01P	Service Valve Stem
16	9151155-01		9151155-01	Accumulator
	208-230/60/1		208-230/60/1	Machine Voltage

1\* Originally Supplied with a Bristol Compressor, Bristol Compressors are No Longer Available - Converts to a Copeland Kit Item 1BC

1\*\* Built with a Copeland Compressor beginning with Revision 1

Reference Page 14 for Compressor Starting Components



REFERENCE PAGE 4 AND 5 FOR EVAPORATOR

Item No.	Model Number				Description
	CIM0826R	CIM0825R	CIM1126R	CIM1125R	
1B	9181177-01	9181176-01	9181180-11	9181182-11	Compressor Kit RED=NLA Uses 105 Kit Below
1BC	1051239-01	1051240-02	1051240-01	1051241-02	Compressor Kit (Bristol to Copeland)
1CR1	9181139-11	9181140-12	9181240-11	9181141-12	Compressor (Revision 1 Series)
2	9151192-101	9151192-101	9151192-102	9151192-102	Hot Gas Valve Body
3	9151193-02	9151193-02	9151193-02	9151193-02	Hot Gas Valve Coil
4	9041092-02	9041092-02	9041092-02	9041092-02	Pump Down Control
5	9151152-101	9151152-101	9151152-101	9151152-101	TXV
6	9131544-01	9131544-01	9131544-01	9131544-01	Insulation, TXV
7	9021025-01	9021025-01	9021025-01	9021025-01	Cable Tie-For TXV and Bulb Insulation
8	9131143-07	9131143-07	9131143-07	9131143-07	Insulation, TXV Bulb
9	NA	NA	NA	NA	Pressure Control Valve
10	NA	NA	NA	NA	Accumulator
11	9041098-02	9041098-02	9041098-02	9041098-02	High Temp Switch
12	9041111-01	9041111-01	9041111-01	9041111-01	Switch, High Pressure
13	9091086-03	9091086-03	9091086-03	9091086-03	Service Valve Cap
14	9091086-02	9091086-02	9091086-02	9091086-02	Service Valve Core
15	9091086-01	9091086-01	9091086-01	9091086-01	Service Valve Stem
16	9151060-01	9151060-01	9151060-01	9151060-01	Receiver
17	9151139-01	9151139-01	9151139-01	9151139-01	Check Valve
18	9151192-02	9151192-02	9151192-02	9151192-02	Liquid Line Solenoid
19	9151193-02	9151193-02	9151193-02	9151193-02	Liquid Line Coil
20	9151163-03	9151163-03	9151163-03	9151163-03	Drier (Included in Compressor Kit)
21	9091001-09	9091001-09	9091001-09	9091001-09	1/2 Inch Coupling Flange (Large)
22	9091001-12	9091001-12	9091001-12	9091001-12	1/2 Inch Coupling (Large)
23	9091001-03	9091001-03	9091001-03	9091001-03	3/8 Inch Coupling Flange (Small)
24	9091001-11	9091001-11	9091001-11	9091001-11	3/8 Inch Coupling (Small)
	208-230/60/1	220-240/50/1	208-230/60/1	220-240/50/1	← Machine Voltage

1B Originally Supplied with a Bristol Compressor, Bristor Compressors are No Longer Available

1BC Converts from a Bristol Compressor to a Copeland Kit

1CR1 Built with a Copeland Compressor, Rev 1

Reference Page 14 for Compressor Starting Components



Item No.	Model Number					
	Reference Page 14 for Compressor Components					
	CIM826A	CIM826A1	CIM1126A	CIM1126A1	CIM1126R/R1	
6	9041098-02	9041098-02	9041098-02	9041098-02	9041098-02	Switch, High Temp
7	9101002-06	9101002-06	9101002-06	9101002-06	9101002-06	Contactactor
8	9021096-01	9021096-01	9021096-01	9021096-01	9021096-01	Cable Tie, Metal
9	9041108-02	9041108-02	9041108-02	9041108-02	9041108-02	Valve, Water Inlet
10	2062336-03S	2062336-03S	2062336-03S	2062336-03S	2062336-03S	Water Pump
11	9041105-05	9041105-05	9041105-05	9041105-05	9041105-05	Purge Valve
12	9091140-01	9091140-01	9091140-01	9091140-01	9091140-01	Purge Drain
13	1051224-01	1051224-01	1051224-01	1051224-01	1051224-01	Float Switch Assembly (Includes Instructions)
14	9101414-01	9101414-01	9101414-01	9101414-01	9101414-01	Board Dual Voltage
15	9051698-01P	9051698-01P	9051698-01P	9051698-01P	9051698-01P	Plastic Standoff, Control Board (Pkg of 10)
16	9161134-02	9161134-02	9161134-02	9161134-02	9161134-02	Harvest Assist
17	9101394-01	9101394-01	9101394-01	9101394-01	9101394-01	Membrane Switch
18	9101379-01	9101379-01	9101379-01	9101379-01	9101379-01	Switch, Magnetic Reed (Bin Control On Evap)
	208-230/60/1	208-230/60/1	208-230/60/1	208-230/60/1	208-230/60/1	← Machine Voltage

Item No.	Model Number					
	Reference Page 14 for Compressor Components					
	CIM825A	CIM825A1	CIM1125A	CIM1125A1	CIM1125R/R1	
6	9041098-02	9041098-02	9041098-02	9041098-02	9041098-02	Switch, High Temp
7	9101002-08	9101002-08	9101002-08	9101002-08	9101002-08	Contactactor
8	9021096-01	9021096-01	9021096-01	9021096-01	9021096-01	Cable Tie, Metal
9	9041108-02	9041108-02	9041108-02	9041108-02	9041108-02	Valve, Water Inlet
10	2062336-03S	2062336-03S	2062336-03S	2062336-03S	2062336-03S	Water Pump
11	9041105-05	9041105-05	9041105-05	9041105-05	9041105-05	Purge Valve
12	9091140-01	9091140-01	9091140-01	9091140-01	9091140-01	Purge Drain
13	1051224-01	1051224-01	1051224-01	1051224-01	1051224-01	Float Switch Assembly (Includes Instructions)
14	9101414-01	9101414-01	9101414-01	9101414-01	9101414-01	Board Dual Voltage
15	9051698-01P	9051698-01P	9051698-01P	9051698-01P	9051698-01P	Plastic Standoff, Control Board (Pkg of 10)
16	9161134-02	9161134-02	9161134-02	9161134-02	9161134-02	Harvest Assist
17	9101394-01	9101394-01	9101394-01	9101394-01	9101394-01	Membrane Switch (Includes Cable)
18	9101379-01	9101379-01	9101379-01	9101379-01	9101379-01	Switch, Magnetic Reed (Bin Control On Evap)
	220-240/50/1	220-240/50/1	220-240/50/1	220-240/50/1	220-240/50/1	← Machine Voltage

<b>CIM0826A</b>		<b>CIM1126A</b>			<b>Model Number</b>
<b>9181177-11</b>		<b>9181180-11</b>			<b>Compressor</b>
<b>9181003-44</b>		<b>9181003-44</b>			<b>Start Capacitor</b>
<b>9181009-16</b>		<b>9181009-16</b>			<b>Run Capacitor</b>
<b>9181010-37</b>		<b>9181010-33</b>			<b>Potential Relay</b>
<b>Internal</b>		<b>Internal</b>			<b>Overload</b>
<b>CIM0826R</b>	<b>CIM0825R</b>	<b>CIM1126R</b>	<b>CIM1125R</b>		<b>Model Number</b>
<b>9181177-01</b>	<b>9181176-01</b>	<b>9181180-11</b>	<b>9181182-11</b>		<b>Compressor</b>
<b>9181003-07</b>	9181003-32	<b>9181003-44</b>	9181003-07		<b>Start Capacitor</b>
<b>9181009-16</b>	9181009-17	<b>9181009-12</b>	9181009-12		<b>Run Capacitor</b>
<b>9181010-12</b>	9181010-04	<b>9181010-10</b>	9181010-12		<b>Potential Relay</b>
<b>internal</b>	<b>internal</b>	<b>internal</b>	<b>internal</b>		<b>Overload</b>
<b>CIM0825A</b>		<b>CIM1125A</b>			<b>Model Number</b>
<b>9181176-11</b>		<b>9181182-11</b>			<b>Compressor</b>
<b>9181003-53</b>		<b>9181003-56</b>			<b>Start Capacitor</b>
<b>9181009-16</b>		<b>9181009-27</b>			<b>Run Capacitor</b>
<b>9181010-36</b>		<b>9181010-35</b>			<b>Potential Relay</b>
<b>Internal</b>		<b>Internal</b>			<b>Overload</b>

<b>Reference the Bristol Model Number for Compressor Starting Compants</b>	<b>1051239-01 Copeland Kit</b>	<b>9181176-11</b>	<b>Bristol R92J243ABKA</b>
	<b>1051240-01 Copeland Kit</b>	<b>9181177-11</b>	<b>Bristol R92J223ABCA</b>
	<b>1051240-02 Copeland Kit</b>	<b>9181180-11</b>	<b>Bristol R92J273ABCA</b>
	<b>1051241-02 Copeland Kit</b>	<b>9181182-11</b>	<b>Bristol R92J343ABKA</b>

<b>Reference the Copeland Model Number for Compressor Starting Compants</b>	<b>1051239-01</b>	<b>Copeland</b>	<b>9181139-11</b>	<b>CS10K6E-PFV-255</b>
	<b>1051240-01</b>	<b>Copeland</b>	<b>9181240-11</b>	<b>CS12KIE-PFV-255</b>
	<b>1051240-02</b>	<b>Copeland</b>	<b>9181140-12</b>	<b>CS12K6E-PFJ-255</b>
	<b>1051241-02</b>	<b>Copeland</b>	<b>9181141-12</b>	<b>CS14K6E-PFJ-255</b>

<b>9181139-11</b>	<b>9181140-12</b>	<b>9181240-11</b>	<b>9181141-12</b>	<b>Compressor Kit</b>
<b>9181003-07</b>	<b>9181003-32</b>	<b>9181003-44</b>	<b>9181003-07</b>	<b>Start Capacitor</b>
<b>9181009-16</b>	<b>9181009-17</b>	<b>9181009-12</b>	<b>9181009-12</b>	<b>Run Capacitor</b>
<b>9181010-12</b>	<b>9181010-04</b>	<b>9181010-10</b>	<b>9181010-12</b>	<b>Potential Relay</b>
<b>Internal</b>	<b>Internal</b>	<b>Internal</b>	<b>Internal</b>	<b>Overload</b>